

## DS7830/DS8830 Dual Differential Line Driver

### General Description

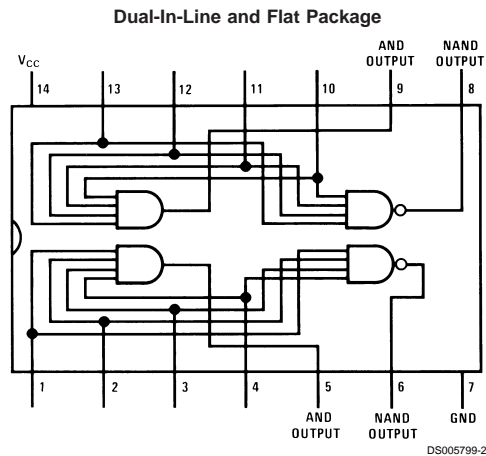
The DS7830/DS8830 is a dual differential line driver that also performs the dual four-input NAND or dual four-input AND function.

TTL (Transistor-Transistor-Logic) multiple emitter inputs allow this line driver to interface with standard TTL systems. The differential outputs are balanced and are designed to drive long lengths of coaxial cable, strip line, or twisted pair transmission lines with characteristic impedances of 50Ω to 500Ω. The differential feature of the output eliminates troublesome ground-loop errors normally associated with single-wire transmissions.

### Features

- Single 5V power supply
- Diode protected outputs for termination of positive and negative voltage transients
- Diode protected inputs to prevent line ringing
- High speed
- Short circuit protection

### Connection Diagram



**Top View**

Order Number DS8830N

See NS Package Number N14A

For Complete Military 883 Specifications, See RETS Data Sheet.

Order Number DS7830J/883 or DS7830W/883

See NS Package Number J14A

## Absolute Maximum Ratings (Note 2)

If Military/Aerospace specified devices are required, please contact the National Semiconductor Sales Office/Distributors for availability and specifications.

$V_{CC}$	7.0V
Input Voltage	5.5V
Storage Temperature	-65°C to +150°C
Lead Temperature (Soldering, 4 sec.)	260°C
Output Short Circuit Duration (125°C)	1 second
Maximum Power Dissipation (Note 1) at 25°C	
Cavity Package	1308 mW
Molded Package	1207 mW

## Operating Conditions

	Min	Max	Units
Supply Voltage ( $V_{CC}$ )			
DS8730	4.5	5.5	V
DS8830	4.75	5.25	V
Temperature ( $T_A$ )			
DS7830	-55	+125	°C
DS8830	0	+70	°C

**Note 1:** Derate cavity package 8.7 mW/°C above 25°C; derate molded package 9.7 mW/°C above 25°C.

## Electrical Characteristics (Notes 3, 4)

Symbol	Parameter	Conditions	Min	Typ	Max	Units	
$V_{IH}$	Logical "1" Input Voltage		2.0			V	
$V_{IL}$	Logical "0" Input Voltage				0.8	V	
$V_{OH}$	Logical "1" Output Voltage	$V_{IN} = 0.8V$	$I_{OUT} = -0.8\text{ mA}$	2.4			V
			$I_{OUT} = 40\text{ mA}$	1.8	3.3		V
$V_{OL}$	Logical "0" Output Voltage	$V_{IN} = 2.0V$	$I_{OUT} = 32\text{ mA}$		0.2	0.4	V
			$I_{OUT} = 40\text{ mA}$		0.22	0.5	V
$I_{IH}$	Logical "1" Input Current	$V_{IN} = 2.4V$				120	μA
		$V_{IN} = 5.5V$				2	mA
$I_{IL}$	Logical "0" Input Current	$V_{IN} = 0.4V$			-4.8	mA	
$I_{SC}$	Output Short Circuit Current	$V_{CC} = 5.0V$ , $T_A = 125^\circ\text{C}$ , (Note 5)	-40	-100	-120	mA	
$I_{CC}$	Supply Current	$V_{IN} = 5.0V$ , (Each Driver)		11	18	mA	
$V_I$	Input Clamp	$V_{CC} = \text{Min}$ , $I_{IN} = -12\text{ mA}$		-1.0	-1.5	V	

## Switching Characteristics

$T_A = 25^\circ\text{C}$ ,  $V_{CC} = 5V$ , unless otherwise noted

Symbol	Parameter	Conditions	Min	Typ	Max	Units
$t_{pd1}$	Propagation Delay AND Gate	$R_L = 400\Omega$ , $C_L = 15\text{ pF}$ (Figure 1)		8	12	ns
$t_{pd0}$				11	18	ns
$t_{pd1}$	Propagation Delay NAND Gate	$R_L = 400\Omega$ , $C_L = 15\text{ pF}$ (Figure 1)		8	12	ns
$t_{pd0}$				5	8	ns
$t_1$	Differential Delay	Load, 100Ω and 5000 pF, (Figure 2)		12	16	ns
$t_2$	Differential Delay	Load, 100Ω and 5000 pF, (Figure 2)		12	16	ns

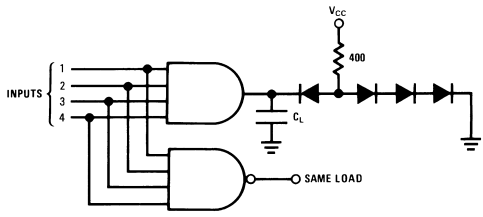
**Note 2:** "Absolute Maximum Ratings" are those values beyond which the safety of the device cannot be guaranteed. Except for "Operating Temperature Range" they are not meant to imply that the devices should be operated at these limits. The table of "Electrical Characteristics" provides conditions for actual device operation.

**Note 3:** Unless otherwise specified min/max limits apply across the -55°C to +125°C temperature range for the DS7830 and across the 0°C to +70°C range for the DS8830. Typical values for  $T_A = 25^\circ\text{C}$  and  $V_{CC} = 5.0V$ .

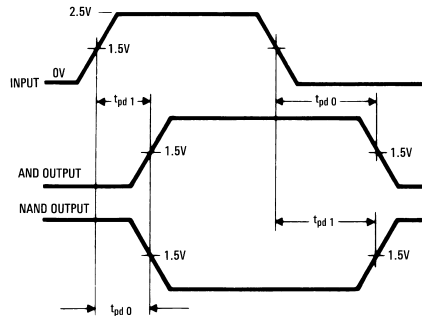
**Note 4:** All currents into device pins shown as positive, out of device pins as negative, all voltages referenced to ground unless otherwise noted. All values shown as max or min on absolute value basis.

**Note 5:** Only one output at a time should be shorted.

## AC Test Circuit and Switching Time Waveforms



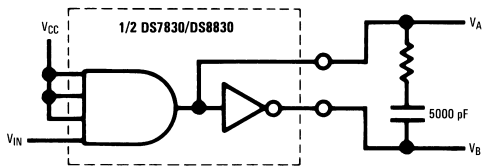
DS005799-4



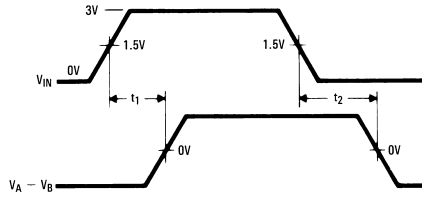
DS005799-9

$f = 1 \text{ MHz}$   
 $t_r = t_f \leq 10 \text{ ns}$  (10% to 90%)  
 Duty cycle = 50%

FIGURE 1.



DS005799-8

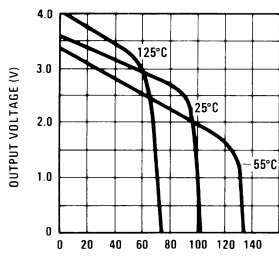


DS005799-10

FIGURE 2.

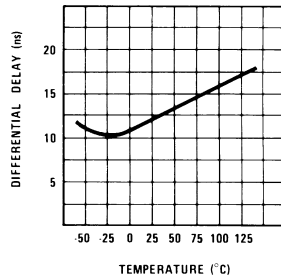
## Typical Performance Characteristics

Output High Voltage (Logical "1") vs Ouput Current



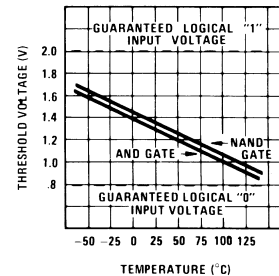
DS005799-7

Differential Delay vs Temperature



DS005799-11

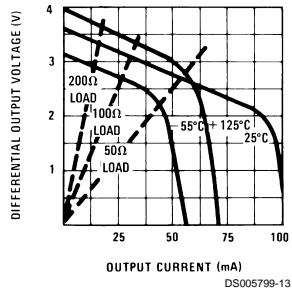
Threshold Voltage vs Temperature



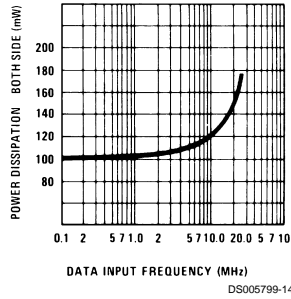
DS005799-12

## Typical Performance Characteristics (Continued)

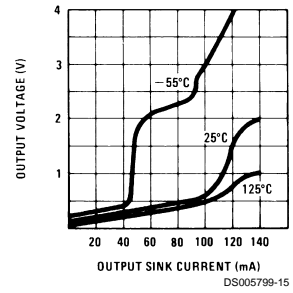
**Differential Output Voltage**  
 $(|V_{AND} - V_{NAND}|)$  vs  
**Differential Output Current**



**Power Dissipation (No Load)**  
**vs Data Input Frequency**

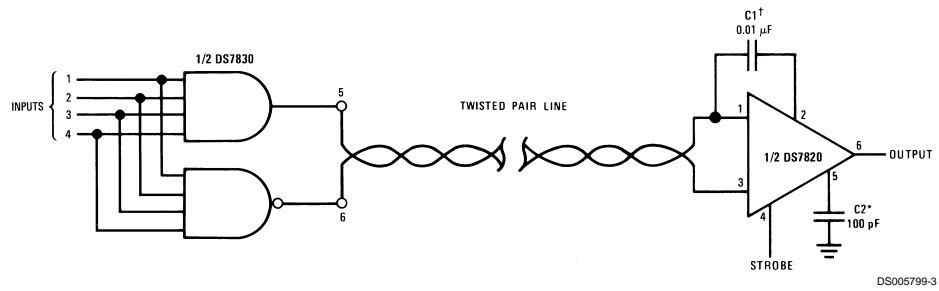


**Output Low Voltage**  
**(Logical "0") vs**  
**Output Current**



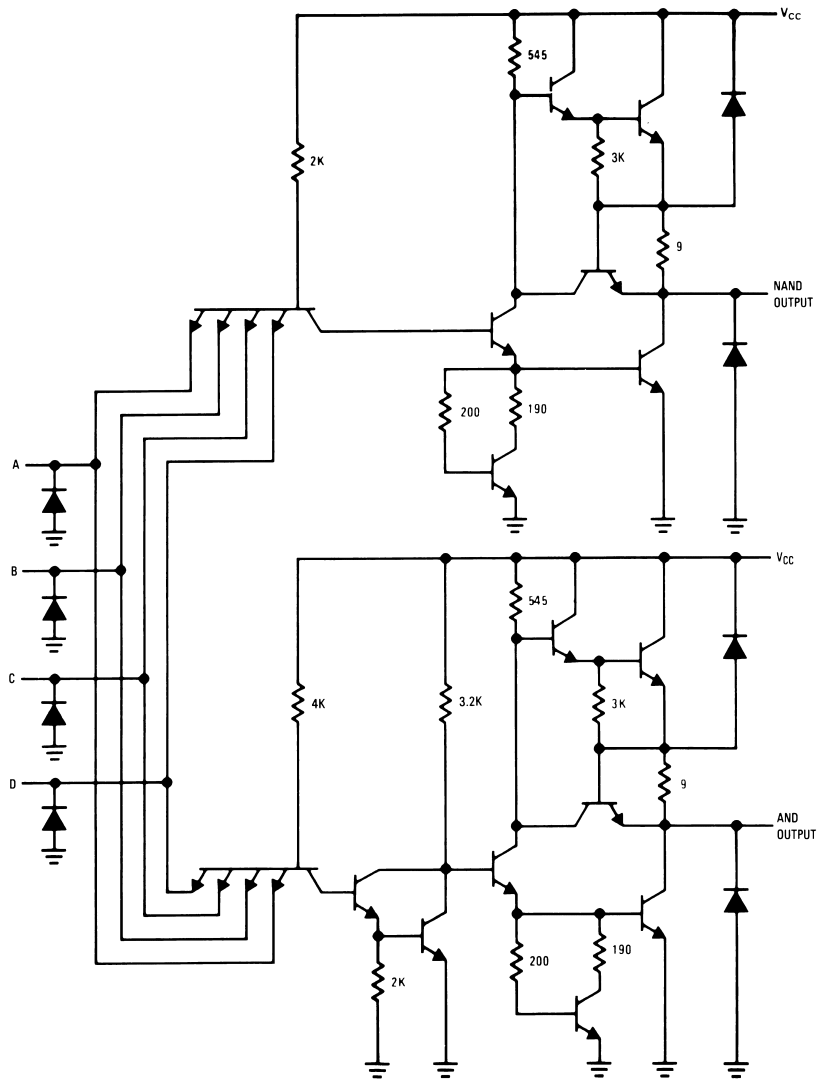
## Typical Application

### Digital Data Transmission



†Exact value depends on line length.  
 \*Optional to control response time.

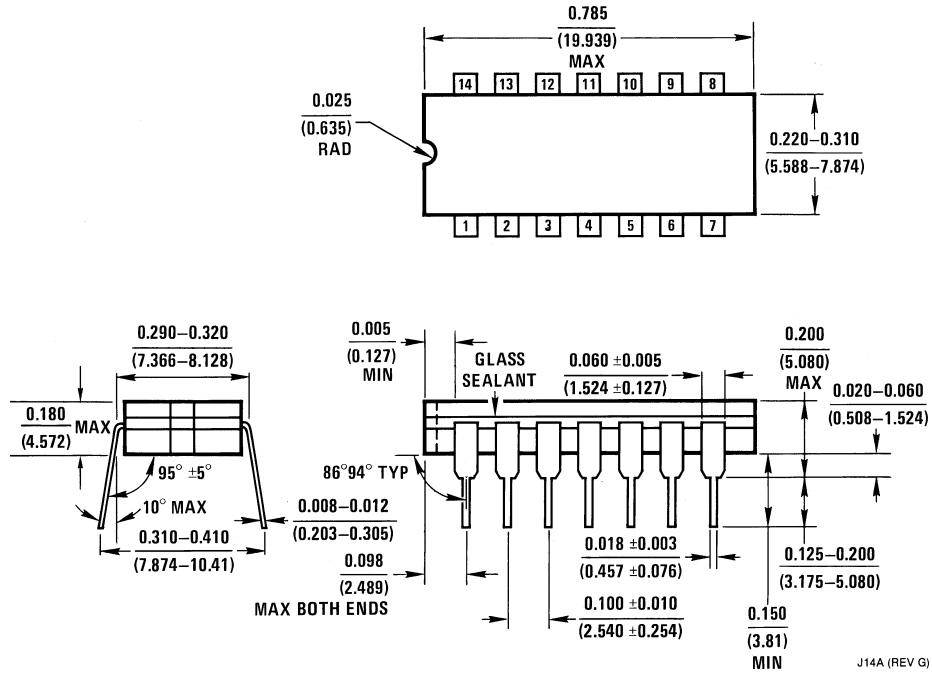
Schematic Diagram



DS005799-1

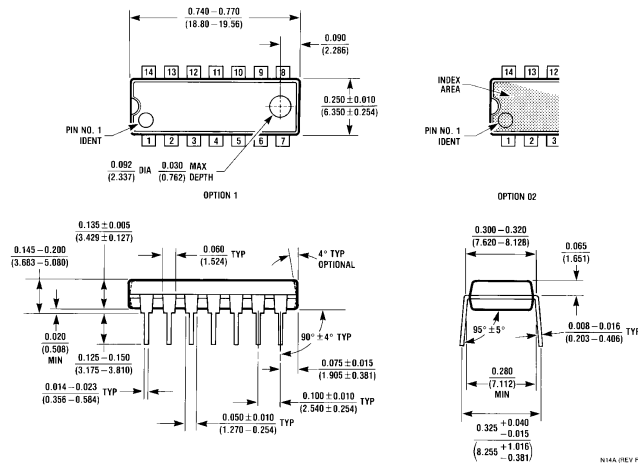
\*2 Per Package

**Physical Dimensions** inches (millimeters) unless otherwise noted



**Ceramic Dual-In-Line Package (J)**  
 Order Number DS7830J or DS8830J  
 NS Package Number J14A

J14A (REV G)



**Molded Dual-In-Line Package (N)**  
 Order Number DS8830N  
 NS Package Number N14A

N14A (REV F)

## Notes

**LIFE SUPPORT POLICY**

NATIONAL'S PRODUCTS ARE NOT AUTHORIZED FOR USE AS CRITICAL COMPONENTS IN LIFE SUPPORT DEVICES OR SYSTEMS WITHOUT THE EXPRESS WRITTEN APPROVAL OF THE PRESIDENT AND GENERAL COUNSEL OF NATIONAL SEMICONDUCTOR CORPORATION. As used herein:

1. Life support devices or systems are devices or systems which, (a) are intended for surgical implant into the body, or (b) support or sustain life, and whose failure to perform when properly used in accordance with instructions for use provided in the labeling, can be reasonably expected to result in a significant injury to the user.
2. A critical component is any component of a life support device or system whose failure to perform can be reasonably expected to cause the failure of the life support device or system, or to affect its safety or effectiveness.



**National Semiconductor Corporation**  
Americas  
Tel: 1-800-272-9959  
Fax: 1-800-737-7018  
Email: support@nsc.com

www.national.com

**National Semiconductor Europe**  
Fax: +49 (0) 1 80-530 85 86  
Email: europe.support@nsc.com  
Deutsch Tel: +49 (0) 1 80-530 85 85  
English Tel: +49 (0) 1 80-532 78 32  
Français Tel: +49 (0) 1 80-532 93 58  
Italiano Tel: +49 (0) 1 80-534 16 80

**National Semiconductor Asia Pacific Customer Response Group**  
Tel: 65-2544466  
Fax: 65-2504466  
Email: sea.support@nsc.com

**National Semiconductor Japan Ltd.**  
Tel: 81-3-5639-7560  
Fax: 81-3-5639-7507