

INFORMATION SHEET



MASTER EVALUATION/DEVELOPMENT SYSTEM

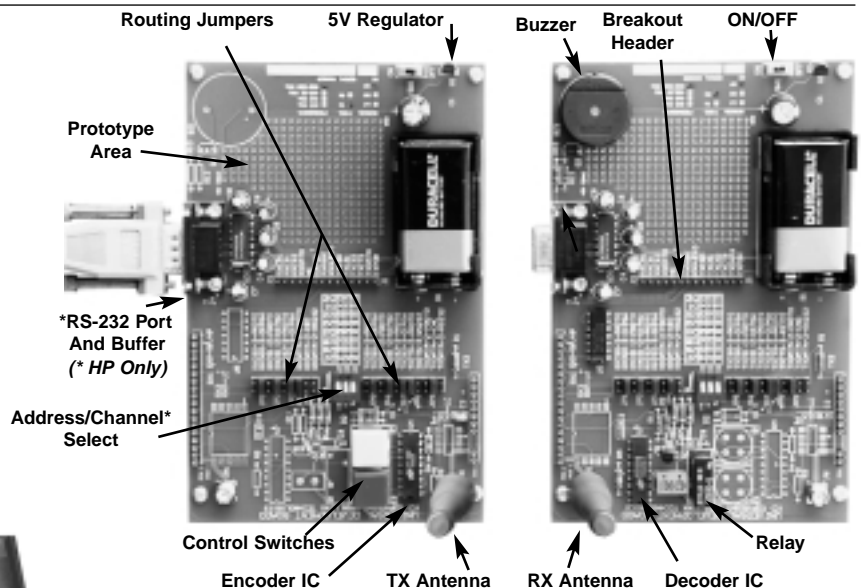


Your Starting Point For Wireless Success

The Linx Universal Evaluation/Development System puts you on the fast track to wireless success. Each kit contains everything you need to evaluate the Linx module family of your choice and then integrate it into your own product in record time. Clear documentation will guide you through all aspects of understanding the legal and technical issues of adding RF function to your product while a full-featured set of evaluation boards makes it easy to instantly test the modules' function in the intended field environment. After you have determined that the Linx product meets your application requirements, the kit will dramatically speed your development effort thanks to an integrated prototyping area complete with regulated power supply and full access to on-board components.

FEATURES:

- On-Board 2-channel 3-address Encoder/Decoder Chipset
- Integrated RS-232 Interface (HP Only)
- Relay Output for Switching External Loads (i.e. Lights or Sirens)
- 85 dB buzzer for Range Testing
- Efficient 1/4 Wave Antennas
- User Prototyping Area
- 5V On-Board Regulator
- Pre-Assembled for Immediate Use



PART NUMBERS

Series	Frequency	Order #
LC	315 MHz	MDEV-315-LC
LC	418 MHz	MDEV-418-LC
LC	433 MHz	MDEV-433-LC
RM	418 MHz	MDEV-418-RM
RM	433 MHz	MDEV-433-RM
HP	902-928 MHz	MDEV-900-HP

User-Selectable



All Kits Contain:

- 2 Transmitter Modules
- 2 Receiver Modules
- 2 Antennas
- 2 9V Batteries
- 2 Fully Assembled Evaluation Boards
- 1 Ea. Tx and Rx Manuals
- Manuals and Part 2 + Part 15 Guidelines
- Free Technical Support

Board Series:	LC	RM	HP
Encoder/Decoder	•	•	•
Range Test Buzzer	•	•	•
Relay Output	•	•	•
RS-232 Interface			•
Address Select	•	•	•
Channel Select			•
5V Regulated Power Supply	•	•	•
Prototyping Area	•	•	•
Development Software			•
Connectorized Whip Antennas	•	•	•

For additional information: Linx Technologies 1-800-736-6677

Development boards may vary from above illustration depending on module series