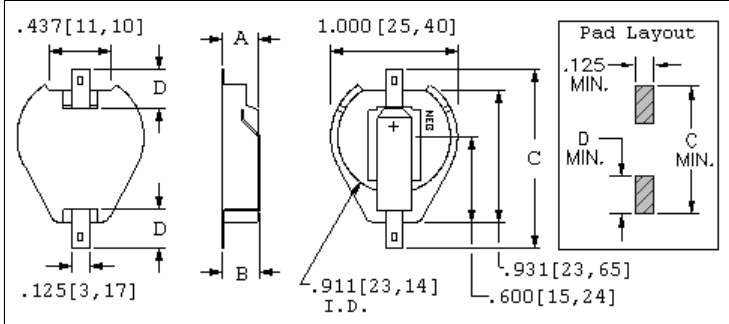




23mm Lithium Coin Cell Battery Holders

Low Profile Surface Mountable (SMT)

Available on Tape and Reel



Small Pad Pattern

Cat No. (Bulk)		Cat. No. (On tape)*		Cells	Dimensions	A	B	C	D
Tin Nickel Plate	Gold Flash Plate	Tin Nickel Plate	Gold Flash Plate						
1071	1091	1071TR	1091TR	One	inch [mm]	.256 [6.5]	.286 [7.3]	1.015 [25.8]	.156 [4.0]
Battery Reference: BR2320, CL2320, CR2320, BR2325, CR2325, DL2325, DL2325, BR2330, CL2330, BR2335									
Contact Material: .015" [0.38mm] Spring Steel									
Base: High Temperature Nylon-46									
Operating Temp. Range: -60°F to +293°F (-50°C to +145°C)									
*Tape & Reel Spec's: 44mm; 32mm pitch; 13" reel (200 pieces per reel) All conductive polystyrene carrier tape meets ANSI/EIA - 481 standard.									

Large Pad Pattern

Cat No. (Bulk)		Cat. No. (On tape)*		Cells	Dimensions	A	B	C	D
Tin Nickel Plate	Gold Flash Plate	Tin Nickel Plate	Gold Flash Plate						
1073	1083	1073TR	1083TR	One	inch [mm]	.256 [6.5]	.286 [7.3]	1.250 [31.7]	.278 [7.1]
Battery Reference: BR2320, CL2320, CR2320, BR2325, CR2325, DL2325, DL2325, BR2330, CL2330, BR2335									
Contact Material: .015" [0.38mm] Spring Steel									
Base: High Temperature Nylon-46									
Operating Temp. Range: -60°F to +293°F (-50°C to +145°C)									
*Tape & Reel Spec's: 44mm; 32mm pitch; 13" reel (200 pieces per reel) All conductive polystyrene carrier tape meets ANSI/EIA - 481 standard.									

[Click to Request Samples](#)

[VIEW PRODUCT OVERVIEW](#)