



"Since 1975... serving the automotive industry and over 2,000 OEM customers"

# Bulb Sockets

## Series J-934

### Wedge Base & Specialty Sockets

#### J-934 A, B

##### Specifications

###### Wedge Base Lamp Socket

**Design:** Will accept T-3¼ through T-5 wedge base lamps

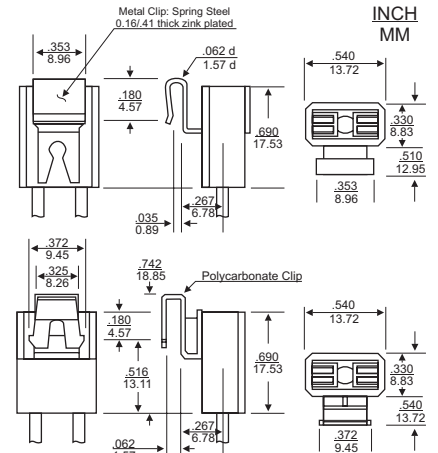
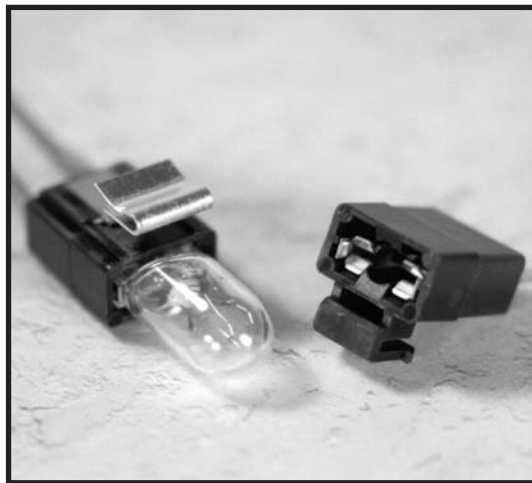
**Contact Material:** Beryllium Copper

**Housing Material:** Polycarbonate, Nylon, or special plastic resin

**Mounting:** **A:** Plastic Clip **B:** Metal Clip (also avail. with no mounting clip)

**Leads:** PCB, Wire (18, 20, 22AWG), solid wire without insulation

**UL & CSA Recognized**



Dimensions given for approximate size only. Contact factory for specific applications and panel hole sizes.

#### J-934C

##### Specifications

###### Wedge Base "Twist-In" Lamp Socket

**Design:** Will accept T-3¼ through T-5 wedge base lamps

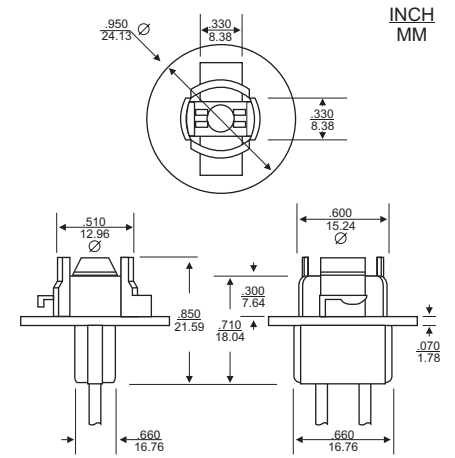
**Contact Material:** Beryllium Copper

**Housing Material:** Polycarbonate, Nylon, or special plastic resin

**Mounting:** Twist-In

**Leads:** PCB, Wire (18, 20, 22AWG), solid wire without insulation

**UL & CSA Recognized**



Dimensions given for approximate size only. Contact factory for specific applications and panel hole sizes.

#### J-934 / Custom

##### Specifications

###### Custom Wedge Base Lamp Socket

**Design:** Will accept T-3¼ through T-5 wedge base lamps

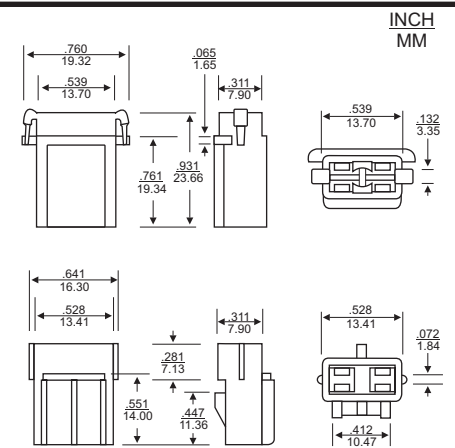
**Contact Material:** Beryllium Copper

**Housing Material:** Polycarbonate, Nylon, or special plastic resin

**Mounting:** Snap-in, or other means

**Leads:** Designed for plug in mating with compatible connectors

**UL & CSA Recognized**



Dimensions given for approximate size only. Contact factory for specific applications and panel hole sizes.