

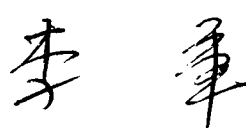
Address:
 BLOCK 1, DEHUINA INDUSTRIAL DISTRICT,
 MINGZHI RD LONGHUA, SHENZHEN,
 GUANGDONG, CHINA 518131

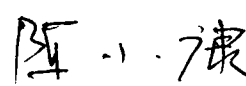
TEL: (86) 755-8192552 8190943
 FAX: (86) 755-8192557
 E-mail: szwwiner@public.szptt.net.cn
 HOME PAGE: www.globalsources.com/hornmic.co


CUSTOMER: Digi-Key Corporation

APPROVE SHEET

PRODUCT NAME	TYPE	DIMENSION	
Electret Condenser Microphone	EM6035-40	Ø6.0x3.5(mm)	

APPROVED :  DATE: 2000.11.25

CHECKED BY:  DATE: 2000.11.25

ISSUED BY: 陳為波 DATE: 

APPROVED BY:

DATE

Address:
 BLOCK 1, DEHUINA INDUSTRIAL DISTRICT,
 MINGZHI RD LONGHUA, SHENZHEN,
 GUANGDONG, CHINA 518131

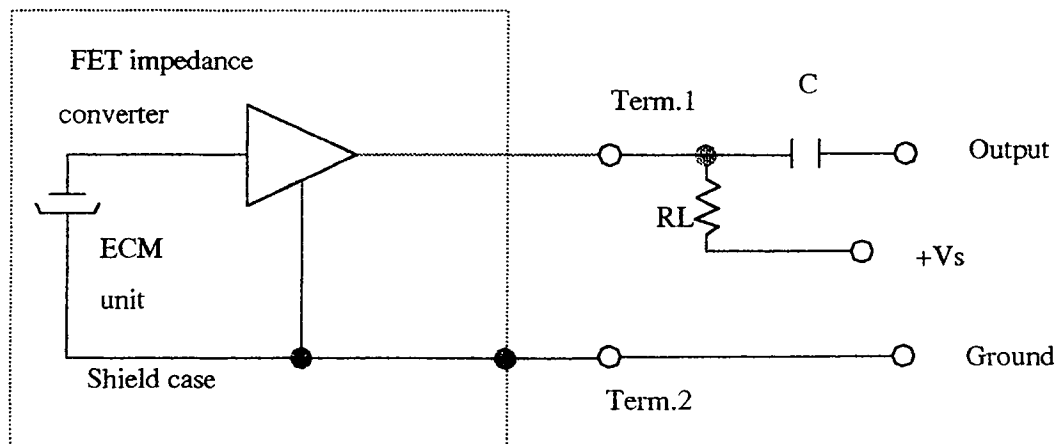
TEL: (86) 755-8192552 8190943
 FAX: (86) 755-8192557
 E-mail: szwwiner@public.szptt.net.cn
 HOME PAGE: www.globalsources.com/hornmic.co

SPECIFICATION

Item	Symbol	Test conditions	Min	Standard	Max	Unit
Sensitivity	S	f=1KHz. Pin=1ubar	-43	-40	-37	dB <small>0dB=1V/Pa</small>
Directivity	Omnidirectional					
Impedance	Zout				2.2	K Ω
Current consumption	I	f=1KHz. Pin=1ubar			500	uA
Sensitivity reduction	ΔS	f=1KHz. Pin=1ubar. Vs=1.5→1V			-3	dB
S/N ratio	S/N(A)	f=1KHz. Pin=1ubar. A=curve	40			dB

Measurement Circuit (Test Condition $V_s=4.5V$ $R_L=2.2K\Omega$)

$T_a=20^\circ C$ R.H=65%)

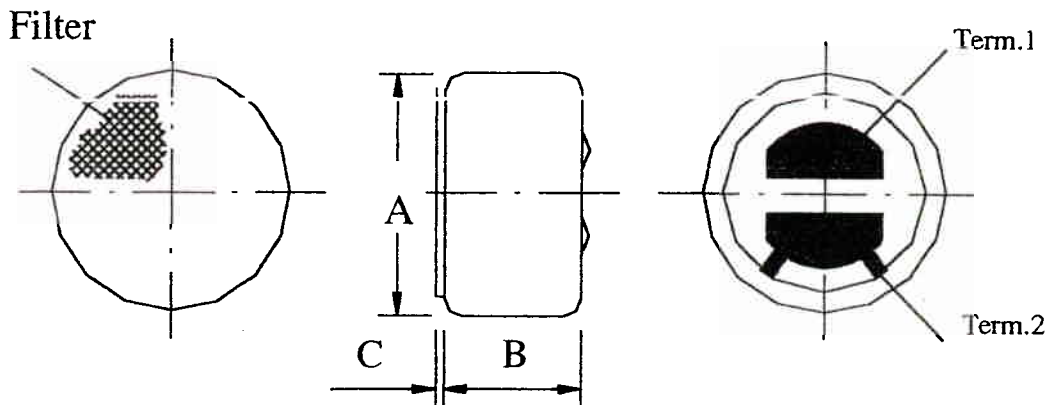


Address:
BLOCK 1, DEHUINA INDUSTRIAL DISTRICT,
MINGZHI RD LONGHUA, SHENZHEN,
GUANGDONG, CHINA 518131

TEL: (86) 755-8192552 8190943
FAX: (86) 755-8192557
E-mail: szwwiner@public.szptt.net.cn
HOME PAGE: www.globalsources.com/hornmic.co

Dimensional Drawing

unit: mm



PART	MIN	TYPE	MAX	REMARK
A	Ø5.8	Ø6.0	Ø6.2	
B	3.7	3.5	3.3	
C	-	-	0.2	

Typical Frequency Response Curve

