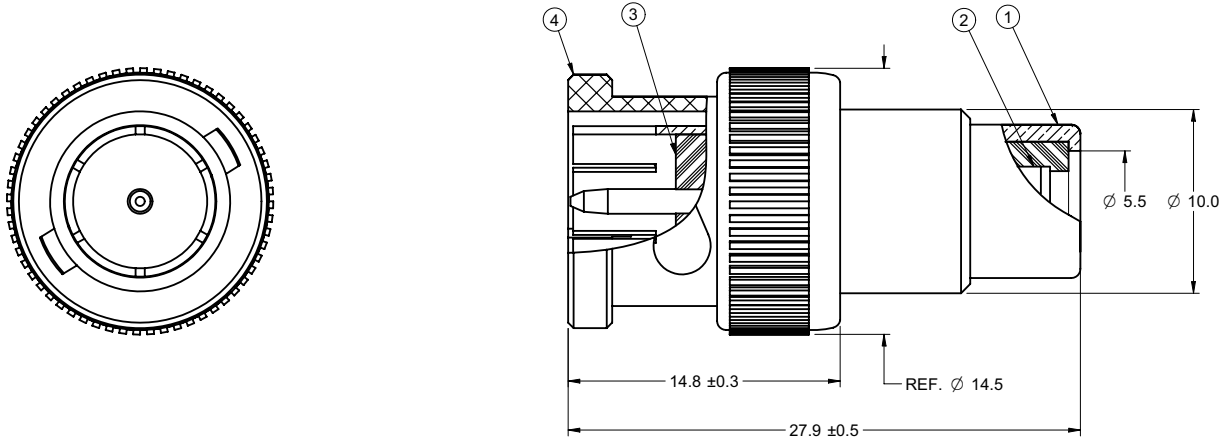


	5		4		3		2		1
PART NUMBER	ITEM ① BODY	ITEM ② CONTACT	ITEM ③ INSULATOR	ITEM ④ NUT					
CP-AD517	BRASS NICKEL PLATED	BRASS GOLD PLATED	TEFLON	ZINC NICKEL PLATED					

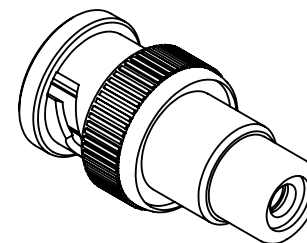
受控 CONTROLLED DOCUMENT					
编号 P/N	CP-AD517	版本 Rev	0A	日期 Rel'd Date	Mar 24,08

DRAWING NO. CP-AD517	
REVISIONS	
RELEASE FOR QUOTATION	
A	01-10-07



NOTES:

- ELECTRICAL SPECIFICATIONS
 IMPEDANCE: 75 OHMS NOMINAL
 FREQUENCY RANGE: 0-2 GHz
 WORKING VOLTAGE: 500 Vrms MAX AT SEA LEVEL
 DIELECTRIC WITHSTANDING VOLTAGE: 1500 vrms AT SEA LEVEL
 CORONA LEVEL: 375 VOLTS MINIMUM AT 70,000 FEET
 CONTACT RESISTANCE: OUTER-0.2 MILLIOHMS MAXIMUM
 CENTER-2.1 MILLIOHMS MAXIMUM
 INSULATION RESISTANCE: 5000 MEGOHMS MINIMUM
- MECHANICAL SPECIFICATIONS
 DURABILITY: 500 CYCLES MIN
- ENVIRONMENTAL SPECIFICATIONS
 RECOMMENDED TEMPERATURE RANGE: -55 °C TO +85°C
 MOISTURE RESISTANCE: MIL-STD-202
- PRODUCT SHOULD BE RoHS COMPLIANCE
- PACKAGING REQUIREMENT FOLLOWS ENGINEERING DOCUMENT P/N 836-40200001XX.



THIS DRAWING TO BE INTERPRETED
PER ANSI Y 14.5M - 1994

COMPANY CONFIDENTIAL

TOLERANCE UNLESS OTHERWISE SPECIFIED		DRAWN BY BETTY.YU		DATE 01-10-07	
DECIMALS	mm	CHECKED BY LINDA.WU		DATE 01-10-07	
X	± 0.5	APPROVED BY THOMAS		DATE 01-10-07	
X.X	± 0.2	U/M		mm	
X.XX	± 0.1				
ANGLES	± 0.5°				
THIS DRAWING WAS PRODUCED BY COMPUTER, DO NOT SCALE DRAWING OR UPDATE MANUALLY.					
SHEET 1 OF 1		DRAWING NO. CP-AD517		SIZE C	

EMERSON
Network Power

Connectivity Solutions

TITLE
75 OHM RCA JACK TO BNC
PLUG, ADAPTER