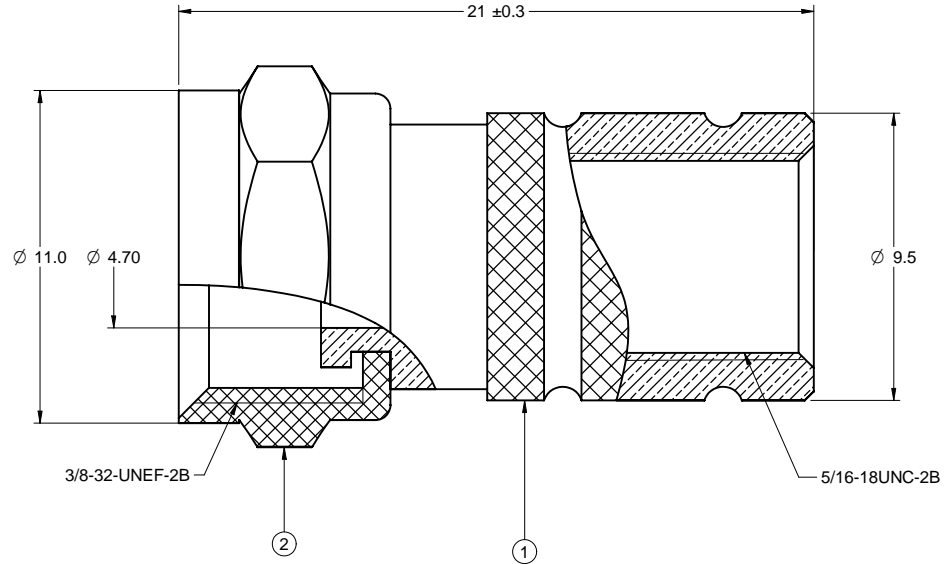
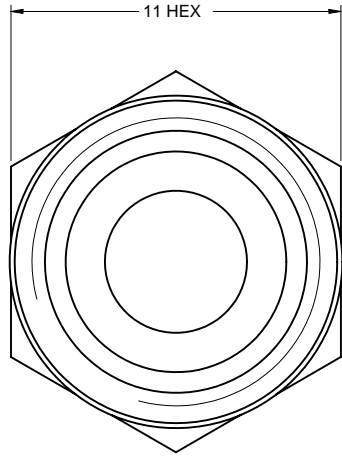


PART NUMBER	ITEM ① BODY	ITEM ② NUT
25-7180	BRASS NICKEL PLATED	ZINC NICKEL PLATED

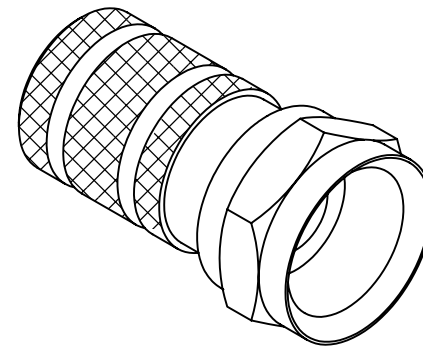
DRAWING NO.  
25-7180

REVISIONS					
A	RELEASE FOR QUOTATION				
	05-22-06	W	W	T	
B	DELETE DIMENSION 2.3&1.30				
	08-10-06	W	W	T	
C	ADD NOTES 4 & 5				
	10-31-06	Y	L	T	



NOTES:

- ELECTRICAL SPECIFICATIONS  
 IMPEDANCE: 75 OHMS NOMINAL  
 FREQUENCY RANGE: 0-750 MHZ  
 WORKING VOLTAGE: 500 VRMS MAX AT SEA LEVEL  
 DIELECTRIC WITHSTANDING VOLTAGE: 1500 VRMS MAX AT SEA LEVEL  
 INSULATION RESISTANCE: 5000 MEGOHMS MINIMUM
- MECHANICAL SPECIFICATIONS  
 DURABILITY: 100 CYCLES  
 CABLE RETENTION: 20 LBS  
 CABLE ACCEPTABILITY: STANDARD RG-6
- ENVIRONMENTAL SPECIFICATIONS  
 RECOMMENDED TEMPERATURE RANGE: -55 °C TO +85°C  
 MOISTURE RESISTANCE: MIL-STD-202
- PRODUCT SHOULD BE RoHS COMPLIANCE
- PACKAGING REQUIREMENT FOLLOWS ENGINEERING DOCUMENT P/N 836-40200001XX.



THIS DRAWING TO BE INTERPRETED  
PER ANSI Y 14.5M - 1994

**COMPANY CONFIDENTIAL**

TOLERANCE UNLESS OTHERWISE SPECIFIED		DRAWN BY	DATE
DECIMALS	mm	BETTY.YU	10-30-06
X	+ 0.5	CHECKED BY	DATE
		LINDA.WU	10-30-06
X.X	+ 0.2	APPROVED BY	DATE
X.XX	+ 0.1	THOMAS	10-30-06
ANGLES	+ 0.5°	U/M	mm

**EMERSON**  
Network Power

**Connectivity Solutions**

TITLE  
**TWIST ON W/ DELUXE 1/2 BODY**

THIS DRAWING WAS PRODUCED BY COMPUTER, DO NOT SCALE DRAWING OR UPDATE MANUALLY.		SHEET	DRAWING NO.	SIZE
		1 OF 1	25-7180	C