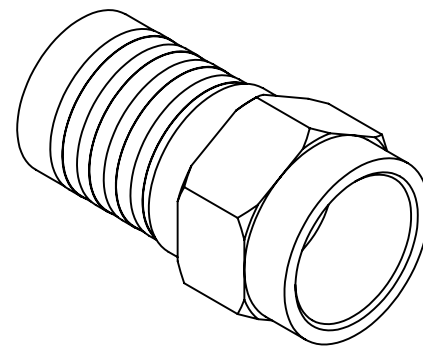
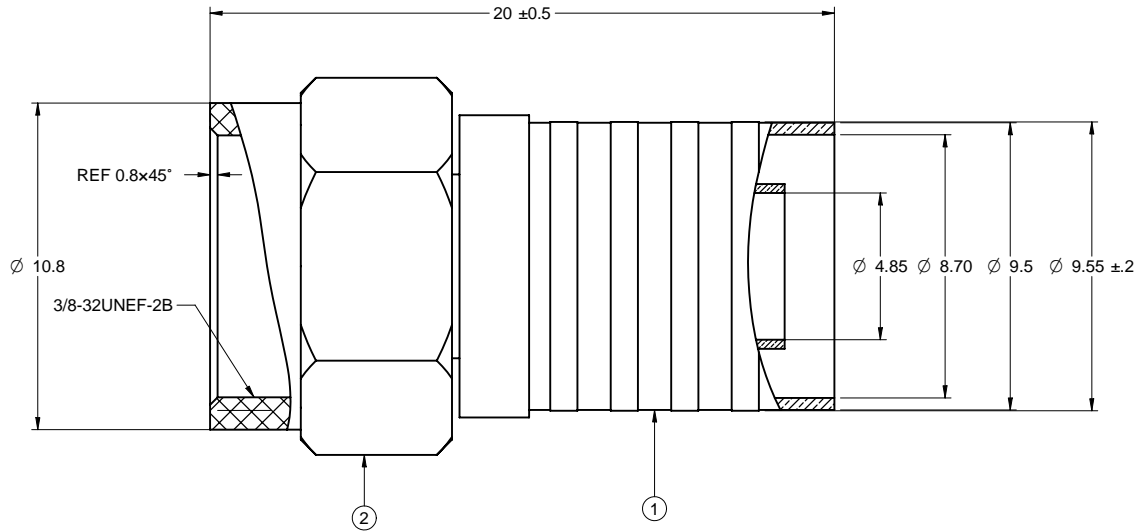
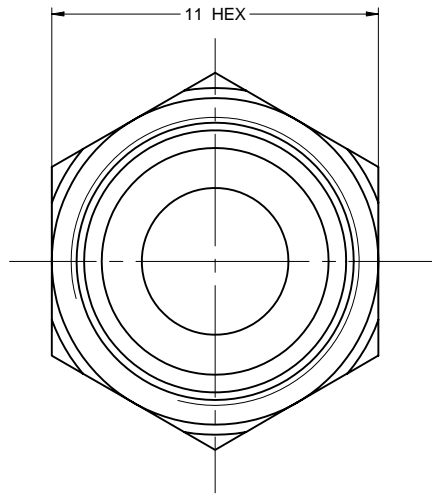


PART NUMBER	ITEM ① BODY	ITEM ② NUT
25-7033	BRASS NICKEL PLATED	ZINC NICKEL PLATED

DRAWING NO.  
**25-7033**

REVISIONS				
RELEASE FOR QUOTATION				
A	10-10-05	W	W	T
CHANGE NUT MATERIAL TO ZINC, ADD DIAMETER 9.55				
B	08-10-06	W	W	T
CHANGE TOL. ON OVERALL LENGTH ADD DIM. REF 0.8x45° ADD NOTES 4 & 5				
C	12-18-06	Z	W	T



NOTES:

- ELECTRICAL CHARACTERISTICS**  
 IMPEDANCE: 75 OHMS  
 FREQUENCY RANGE: 0-750 MHZ  
 WORKING VOLTAGE: 500 VRMS MAX AT SEA LEVEL  
 DIELECTRIC WITHSTANDING VOLTAGE: 1500 VRMS MAX AT SEA LEVEL  
 INSULATION RESISTANCE: 5000 MEGOHMS
- ENVIRONMENTAL CHARACTERISTICS**  
 TEMPERATURE RANGE: -55°C TO +85°C  
 MOISTURE RESISTANCE: MIL-STD-202
- MECHANICAL CHARACTERISTICS**  
 DURABILITY: 100 CYCLES  
 CABLE RETENTION: 20 LBS.  
 CABLE ACCEPTABILITY: RG-6 TRI-SHIELD & QUAD PLENUM CABLE
- PRODUCT SHOULD BE RoHS COMPLIANCE.
- PACKAGING REQUIREMENT FOLLOWS ENGINEERING DOCUMENT P/N 836-4020001XX

THIS DRAWING TO BE INTERPRETED  
PER ANSI Y 14.5M - 1994

**COMPANY CONFIDENTIAL**

TOLERANCE UNLESS OTHERWISE SPECIFIED		DRAWN BY <b>GARY.ZHG</b>	DATE 12-18-06
DECIMALS	mm	CHECKED BY <b>LINDA.WU</b>	DATE 12-18-06
X	+ 0.5	APPROVED BY <b>THOMAS</b>	DATE 12-18-06
X.X	+ 0.2		
X.XX	+ 0.1		
ANGLES	+ 0.5°	U/M	mm

**EMERSON**  
Network Power

**Connectivity Solutions**

TITLE  
F-56ALX FOR RG-6 TRI-SHIELD

THIS DRAWING WAS PRODUCED BY COMPUTER,  
DO NOT SCALE DRAWING OR UPDATE MANUALLY.

SHEET 1 OF 1	DRAWING NO. <b>25-7033</b>	SIZE <b>C</b>
-----------------	-------------------------------	------------------