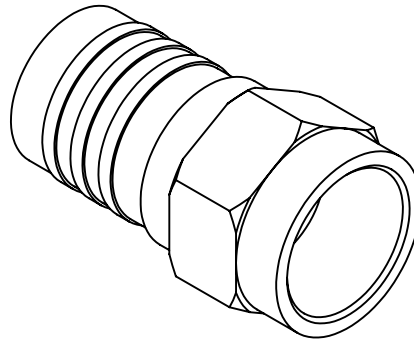
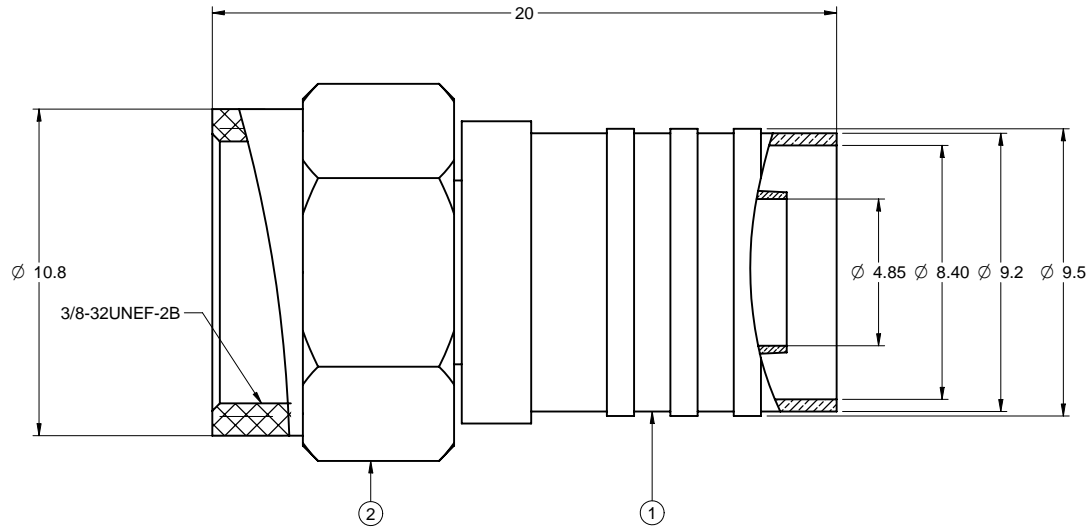
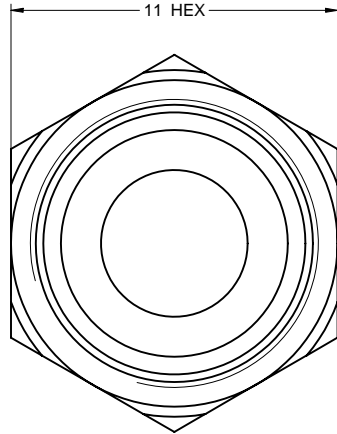


PART NUMBER	ITEM ① BODY	ITEM ② NUT
25-7032	BRASS NICKEL PLATED	ZINC NICKEL PLATED

DRAWING NO.
25-7032

REVISIONS					
A	RELEASE FOR QUOTATION				
	10-10-05	W	W	T	
B	CHANGE NUT MATERIAL TO ZINC. ANN DIAMETER 9.2				
	08-10-06	W	W	T	
C	ADD NOTES 4 & 5				
	09-11-06	Y	L	T	



NOTES:

- ELECTRICAL CHARACTERISTICS
 IMPEDANCE: 75 OHMS
 FREQUENCY RANGE: 0-750 MHZ
 WORKING VOLTAGE: 500 VRMS MAX AT SEA LEVEL
 DIELECTRIC WITHSTANDING VOLTAGE: 1500 VRMS MAX AT SEA LEVEL
 INSULATION RESISTANCE: 5000 MEGOHMS
- ENVIRONMENTAL CHARACTERISTICS
 TEMPERATURE RANGE: -55°C TO +85°C
 MOISTURE RESISTANCE: MIL-STD-202
- MECHANICAL CHARACTERISTICS
 DURABILITY: 100 CYCLES
 CABLE RETENTION: 20 LBS.
 CABLE ACCEPTABILITY: RG-6
- PRODUCT SHOULD BE RoHS COMPLIANCE
- PACKAGING REQUIREMENT FOLLOWS ENGINEERING DOCUMENT P/N 836-40200001XX.

THIS DRAWING TO BE INTERPRETED
PER ANSI Y 14.5M - 1994

COMPANY CONFIDENTIAL

TOLERANCE UNLESS OTHERWISE SPECIFIED		DRAWN BY	DATE
		BETTY.YU	09-11-06
DECIMALS	mm	CHECKED BY	DATE
X	+ 0.3	LINDA.WU	09-11-06
X.X	+ 0.2	APPROVED BY	DATE
X.XX	+ 0.1	THOMAS	09-11-06
ANGLES	+ 0.5°	U/M	mm

EMERSON
Network Power

Connectivity Solutions

TITLE
F-56ALM W/ ATT. 1/2 RING RG-6

THIS DRAWING WAS PRODUCED BY COMPUTER. DO NOT SCALE DRAWING OR UPDATE MANUALLY.		SHEET 1 OF 1	DRAWING NO. 25-7032	SIZE C
--	--	-----------------	------------------------	-----------