

99-33180 Type Incandescent Subminiature Size T-1



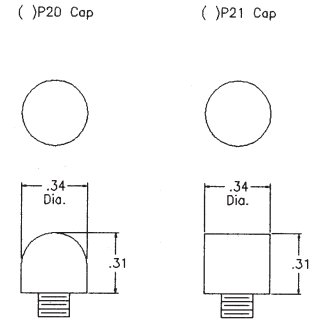
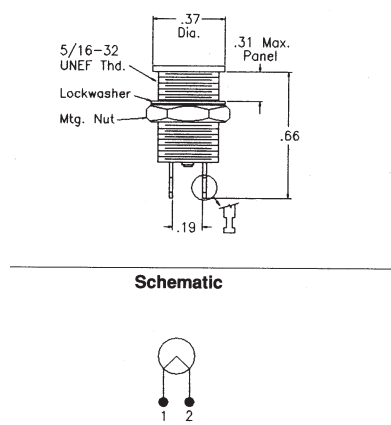
Material and Finishes
Mounting tube, black glass filled nylon per MIL-M-19887. Mounting nut aluminum, black anodized per MIL-A-8625A. Lockwasher, stainless steel or steel, nickel plate. Brass terminals, tin plated per MIL-T-10727A.

Cap Assembly
Lens, high impact-resistant plastic per L-P-349.

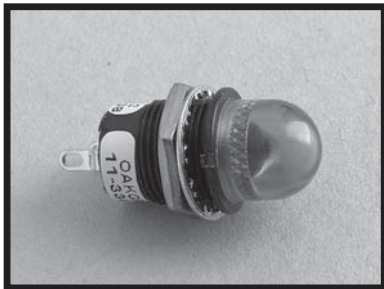
Lamp
T-1 sub-midget flange base.

Mounting
Assembly mounts from front of panel. All mounting hardware supplied. Recommended mounting hole .328 in. +.015 in. -.000 in. dia.

Weight
Approx. .12 oz. less lamp



11-33480 Type Originally designed to meet MS 25256 Base LH 73/1 Incandescent Miniature Size T-1 3/4



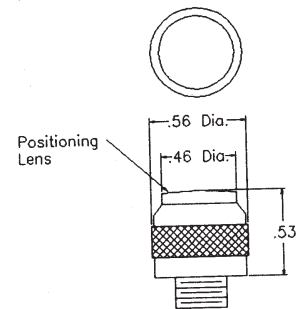
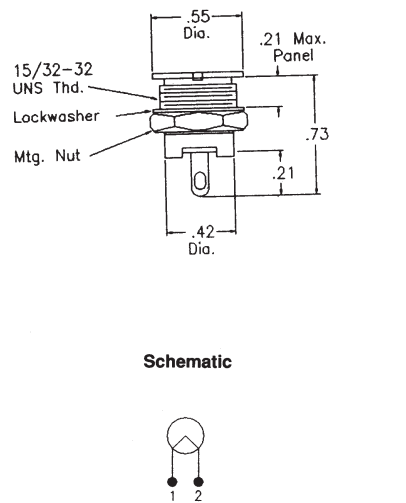
Material and Finishes
Mounting tube and nuts, aluminum, black anodized per MIL-A-8625A. Lockwasher, stainless steel or steel, nickel plate. Brass terminals, tin plated per MIL-T-10727A.

Cap Assembly
Lens, high impact-resistant plastic per L-P-349.

Lamp
T-1 3/4 midget flange base.

Mounting
Assembly mounts from front of panel. All mounting hardware supplied.

Weight
Approximately .2 oz. less lamp.



14-30080 Type Incandescent Miniature Size T-1 3/4



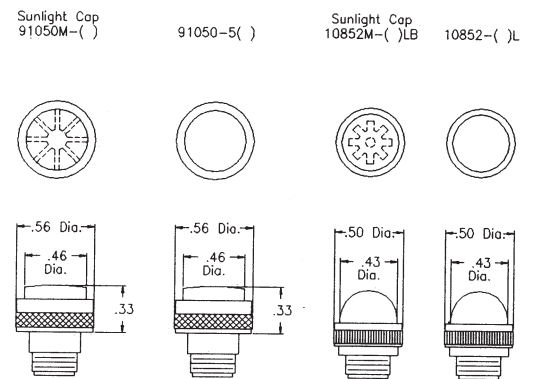
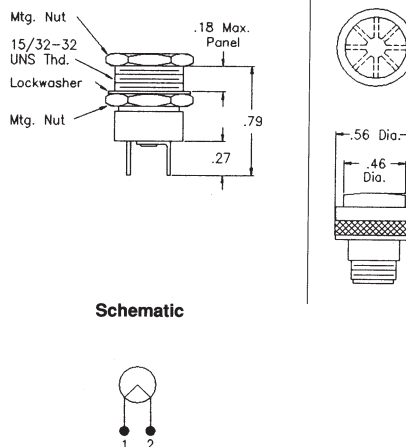
Materials and Finishes
Mounting tube and nuts, aluminum, black anodized per MIL-A-8625A. Lockwasher, stainless steel or steel, nickel plate. Brass terminals, tin plated per MIL-T-10727A.

Cap Assembly
Lens, high impact-resistant plastic per L-P-349. Lens holders, aluminum, black anodized.

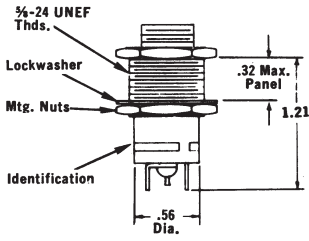
Lamp
T-1 3/4 midget flange base.

Mounting
Assembly mounts from rear of panel. All mounting hardware supplied. Recommended mounting hole .500 in. +/- .015 in. dia.

Weight
Approx. .27 oz. less lamp.



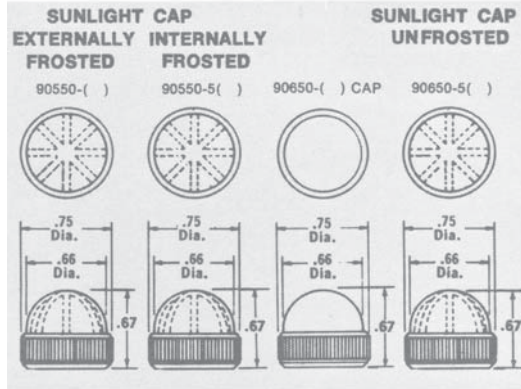
BASE ASSEMBLY
13-30080S



SCHEMATIC



CAP STYLES



Materials and Finishes

Mounting tube and nuts, aluminum, black anodized per MIL-A-8625A. Lockwasher, stainless steel or steel, nickel plate. Brass terminals, tin plated per MIL-T-10727A.

Cap Assembly

Lens, high impact-resistant plastic (nylon). Standard colors are semi-diffusing.

Lamp

T-3 3/4 miniature bayonet base.

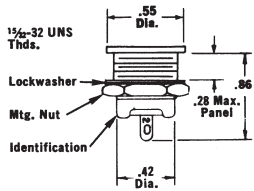
Mounting

Assembly mounts from rear of panel. All mounting hardware supplied. Recommended mounting hole .640 in. +/- .015 in. dia.

13-VM 305 Type
Incandescent General Purpose
Size T-3 3/4



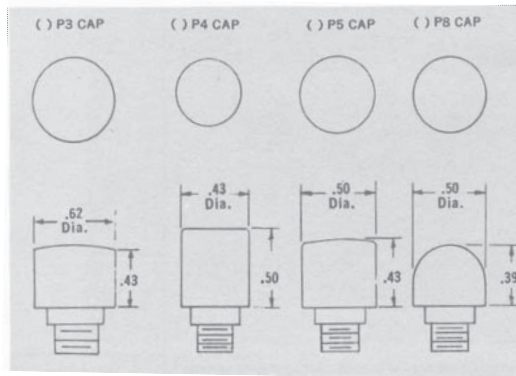
BASE ASSEMBLY
14-35180



SCHEMATIC



CAP STYLES



Materials and Finishes

Mounting tube and nuts, aluminum, black anodized per MIL-A-8625A. Lockwasher, stainless steel or steel, nickel plate. Brass terminals, tin plated per MIL-T-10727A.

Cap Assembly

Lens, high impact-resistant plastic per L-P-349.

Lamp

T-1 3/4 midget flange base.

Mounting

Assembly mounts from rear of panel. All mounting hardware supplied. Recommended mounting hole .500 in. +/- .015 in. dia.

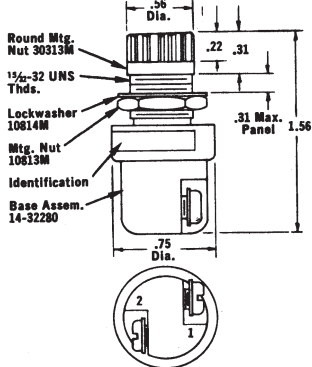
Weight

Approx. .2 oz. less lamp.

14-35180 Type
Incandescent Miniature
Size T-1 3/4



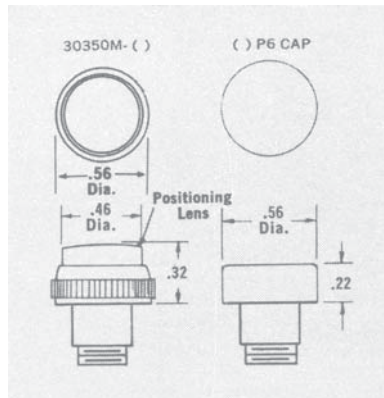
BASE ASSEMBLY
14-32280



SCHEMATIC



CAP STYLES



Materials and Finishes

Mounting tube and nuts, aluminum, black anodized per MIL-A-8625A. Lockwasher, stainless steel or steel, nickel plate. Terminals 6-32 screws, nickel plate. Round front mounting nut, bright nickel plate.

Lamp

T-1 3/4 midget flange base.

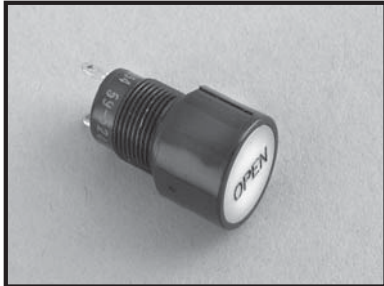
Mounting

Assembly mounts from rear of panel. All mounting hardware supplied. Recommended mounting hole .500 in. +/- .015 in. dia.

14-32280 Type
Incandescent Miniature
Size T-1 3/4



59-52480 Type Incandescent Miniature Size T-1 3/4



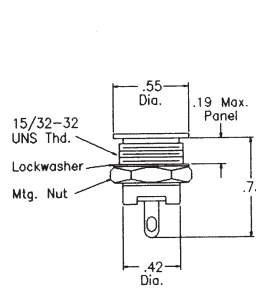
Materials and Finishes
Mounting tube and nuts, aluminum, black anodized per MIL-A-8625A. Lockwasher, stainless steel or steel, nickel plate. Brass terminals, tin plated per MIL-T-10727A.

Cap Assembly
Lens, high impact-resistant plastic per L-P-349.

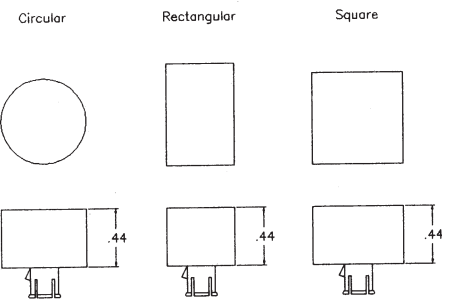
Lamp
T-1 3/4 midget flange base.

Mounting
Assembly mounts from rear of panel. All mounting hardware supplied.

Weight
Approx. .2 oz. less lamp.



SCHEMATIC



33-30881 Type Neon Miniature Size T-2



Materials and Finishes
Mounting tube gold anodized, rear mtg. nut aluminum, black anodized per MIL-A-8625A. Lockwasher, stainless steel or steel, nickel plate. Terminals, brass, tin plated per MIL-T-10727A. Round front mtg. nut, bright nickel plate.

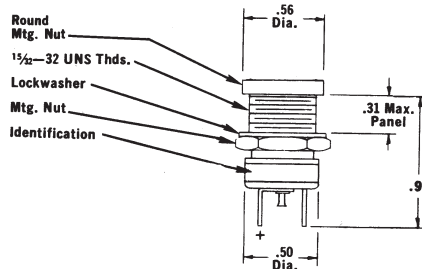
Cap Assembly
Lens, high impact-resistant plastic per L-P-349. Standard colors are transparent.

Lamp
A1G (std.) or A1H (high brightness) T-2 neon is furnished with each assembly.

Mounting
Assembly mounts from rear of panel. All mounting hardware supplied. Recommended mounting hole .500 in. +/- .015 in. dia.

Weight
Approx. .35 oz. less lamp.

BASE ASSEMBLY 33-30881 (68KΩ Internal Resistor)



SCHEMATIC



CAP STYLES

