



This is a single switch point liquid level probe, for use in water or aqueous liquids, designed to be suspended into the liquid by its cable. It can be configured to give make or break action on either rise or fall, by removing the protective shield and reversing the float orientation. The switching level may be adjusted by varying the cable length. The reedswitch contact is suitable for switching signal levels, up to 50 volts.



- **Submersible probe**
- **Low space requirement**
- **Cable mounted**
- **N/O or N/C configurable**
- **No power requirement**

The main uses for this probe are level switch for narrow boreholes, or applications with restricted space, and also as a signal switch for reservoir high or low level monitoring.

These are manufactured with standard PVC cable lengths of 15 or 25 metres but can be manufactured with other lengths.

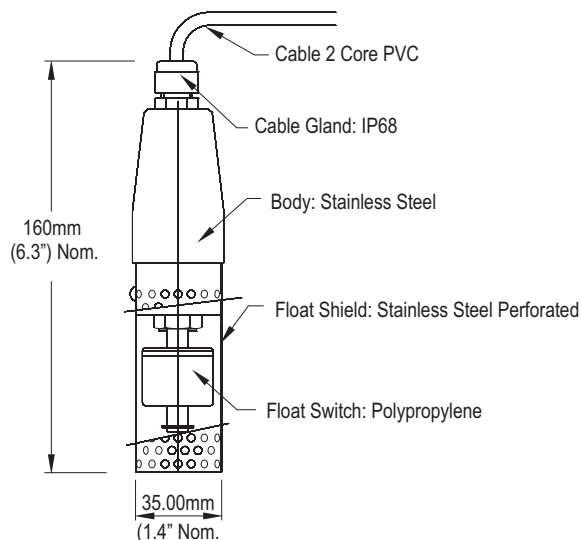
Other switch types and configurations, cable gland and cable type are possible, please contact the factory with your requirement.

Technical Specification		Electrical Specification	
Float	Polypropylene	Contact Form	N/O (N/C)
Housing	Stainless Steel	Switching Power Max. VA	25
Shield	Stainless Steel	Switching Voltage AC/DC Max.	50
Cable gland	Nylon	Switching Current Max. A	0.6
Cable	2 core PVC sheathed		
Cable length	15M / 25M		
Temperature range °C	0 / +55		
°F	+32 / +131		
Min. Fluid S.G.	0.8		
Max working pressure	5 bar	All ratings are for resistive load only.	

Standard Parts	Cable Length
SLP4AP15	15 metres
SLP4AP25	25 metres

Mechanical Dimensions

All dimensions are in millimeters (inches)



USA
Cynergy3 Components
2320 Paseo de las Americas, Suite 104
San Diego, CA 92154
Sales & Tech Support (866) 258-5057
Email: sales@cynergy3.com

EUROPE - UK
Cynergy3 Components Ltd.
7 Cobham Road
Ferndown Industrial Estate
Wimborne, Dorset BH21 7PE
Telephone +44 (0) 1202 897969
Fax +44 (0) 1202 891918
Email: sales@cynergy3.com