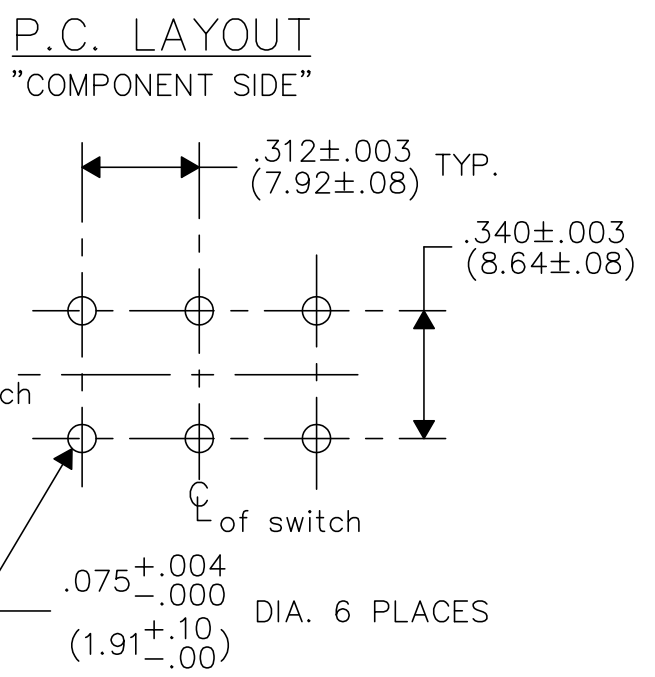
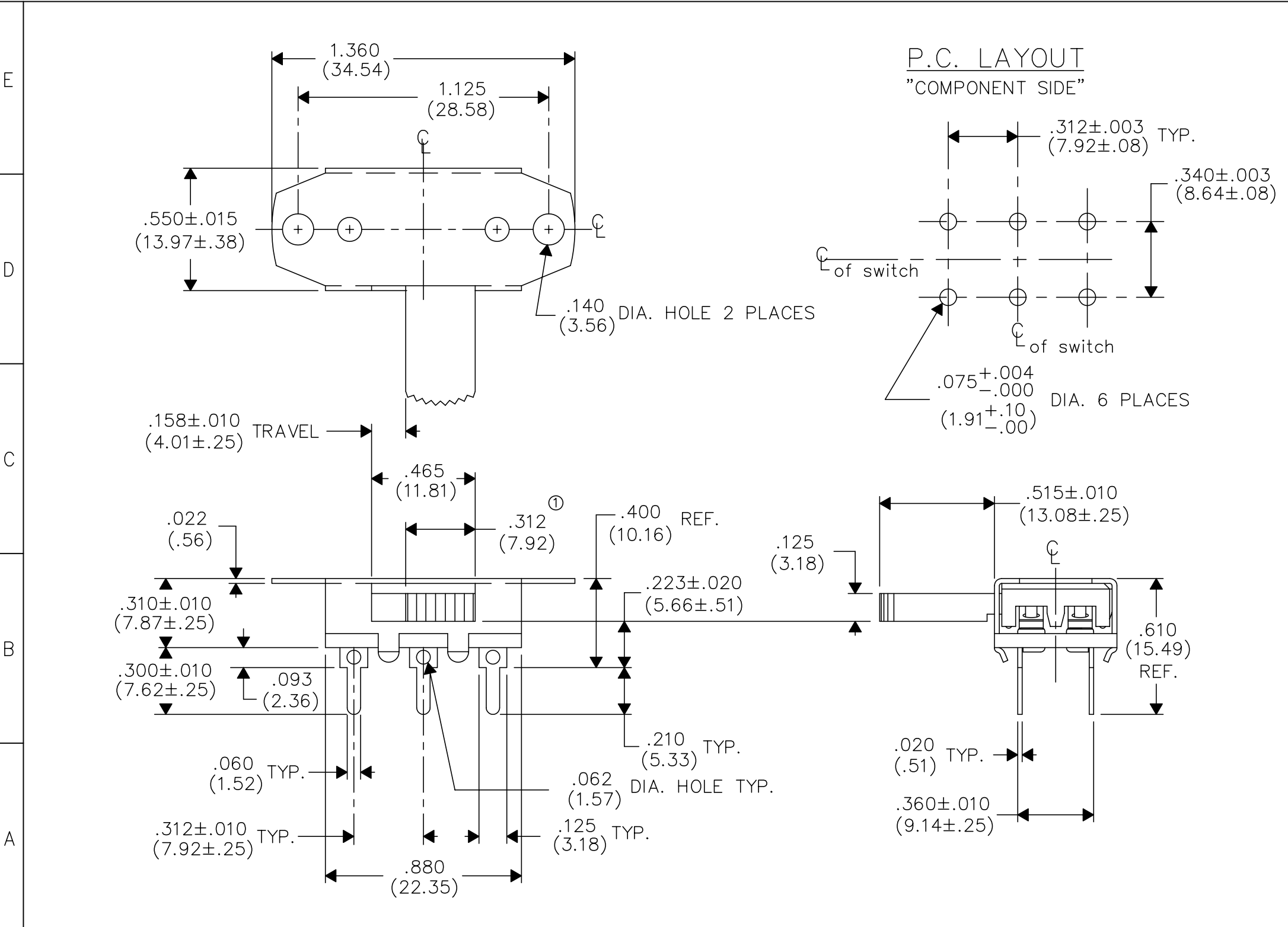


DIMENSIONS IN INCHES (MILLIMETERS)
DO NOT SCALE DRAWING

Dwg. No.
GG-350-3010



1 2 3 4 5 6 7 8 9 10

B-FORMAT 2002	REVISIONS	1	REDRAWN .312 WAS .307. DGW 3-07-2003 3-13-2003

PDF File Made	CW INDUSTRIES Southampton, Pa. 18966		Title: SWITCH ASSEMBLY D.P.- D.T. (SYDEWYNDER)
	TOLERANCES UNLESS OTHERWISE SPECIFIED		
	2 Place Decimal ±.010 3 Place Decimal ±.005 Angles ±1°	METRIC 1 Place Dec. ±.25mm 2 Place Dec. ±.13mm	
	Made for: CW IND.	Division: SWITCH	
Drawn by: DGW 3-07-2003	Dwg. No. GG-350-3010		
Checked by: GG 3-13-03			
Approval: BF 3-13-3			