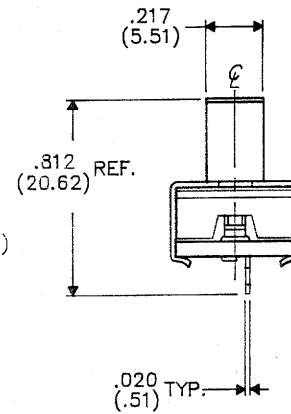
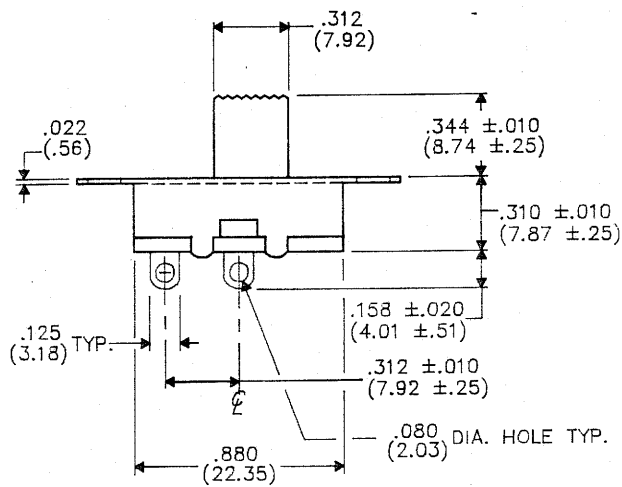
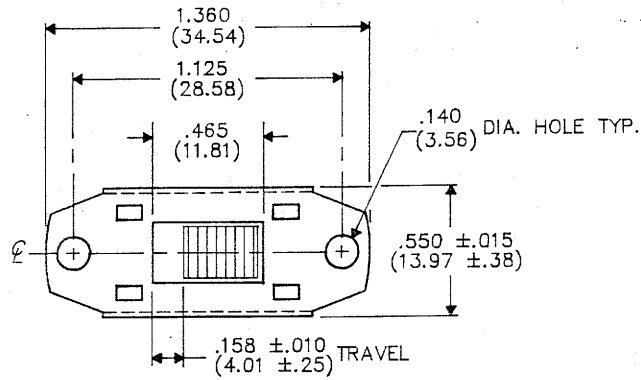


DIMENSIONS IN INCHES (MILLIMETERS)
DO NOT SCALE DRAWING. . . .

Drawing No.
GF-1123-0009



B- FORM-0

REVISIONS

0
RELEASED
DGW 4-15-94

CW INDUSTRIES
Southampton, Pa. 18966

TOLERANCES UNLESS OTHERWISE SPECIFIED
2 Place decimal ±.010 METRIC
3 Place decimal ±.005 1 Place dec. ±.25 MM
Angles 1° 2 Place dec. ±.13 MM

Made for: CW IND.

Drawn by: DGW 4-15-94

Checked by: G. GULLI 4-21-94

Approval: [Signature] 4-21-94

Title
**SWITCH
ASSEMBLY
S.P.-S.T.
FLAT KNURL**

Division
SWITCH

Drawing No.
GF-1123-0009

MASTER