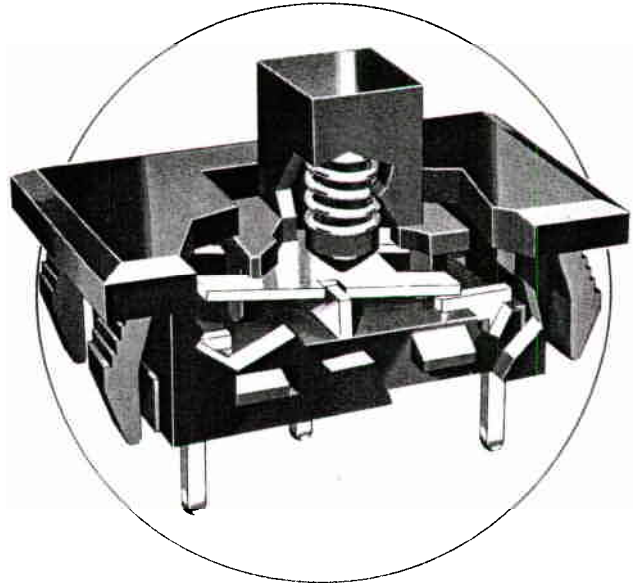
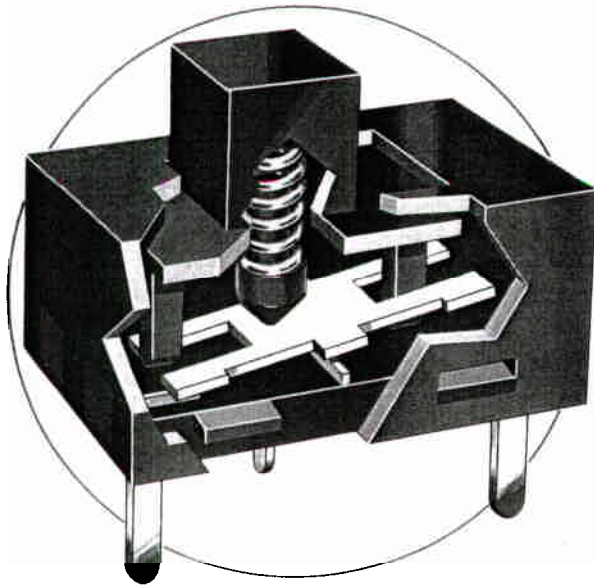


Features:

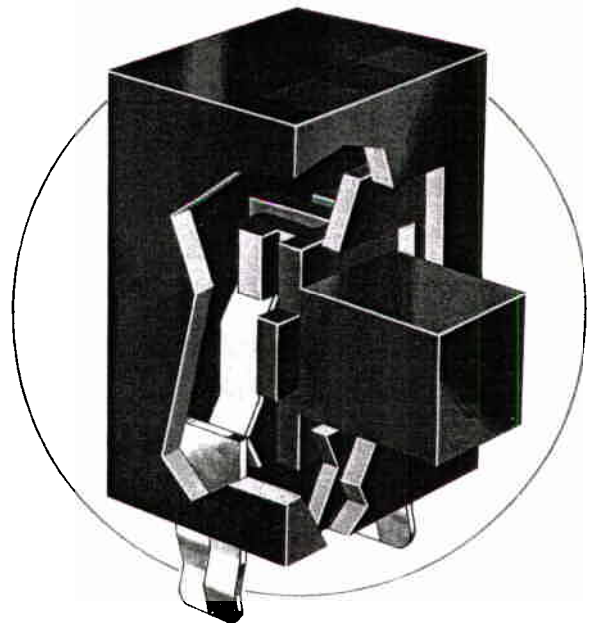
- Microminiature size
- Crisp, yet light, detent action
- Mounting options—
“Plug-In” or “Snap-In”
- Solderless, solder, or PC termination options
- Contacts completely enclosed



SNAP-IN SWITCH



PLUG-IN SWITCH



UPRIGHT PLUG-IN SWITCH

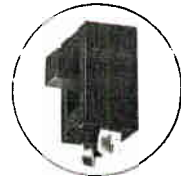


Completely American Made

Catalog S2120-V

These microminiature switches have electrical contacts completely enclosed by insulating plastic for protection from hostile environments. They are available in two mounting options... "Snap-In" for panel mount and "Plug-In" for circuit board mount... neither of which require mounting hardware. Actuating force is light... yet detent action is crisp... because of CW's patented detent method. And termination is easy—plug into PC board, hand solder to properly shaped terminal tails, or use a standard solderless connector.

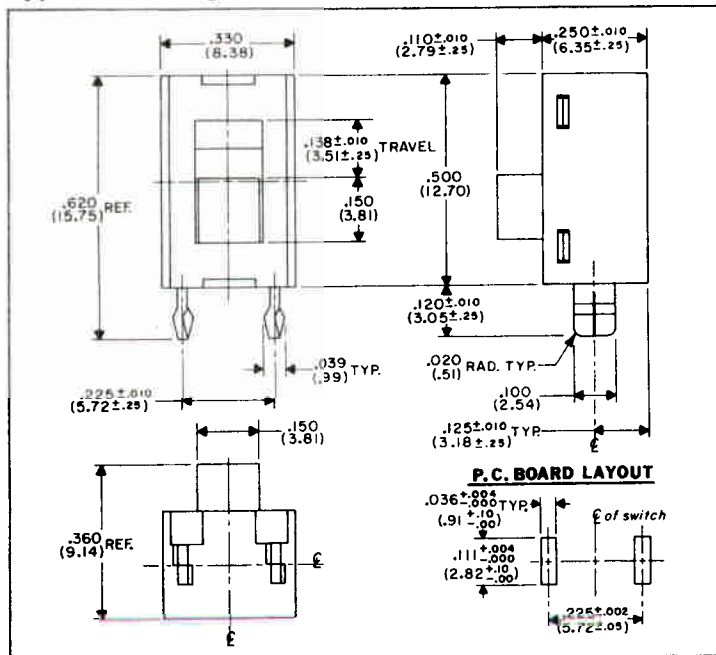
These CW switches are designed for use where there is very little space available, and yet switching reliability and protection from hostile environments are required. Typical applications include electric shavers and similar motor-driven appliances; computer and telecommunications equipment where crowded PC boards adapt best to our switch size and insulated housings; and in electrical test gear requiring reliable low-voltage and low-current switching.



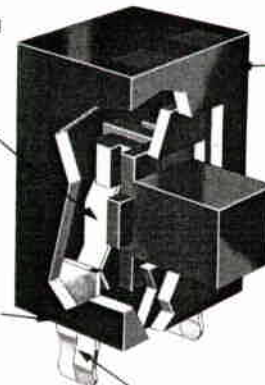
Type G-105 Plug-In
ACTUAL SIZE
Uses only .08 square
inches on PC board.

CONST

Type G-105 Plug-In SPST



Spring-loaded self-cleaning moving contact.



Completely enclosed contacts for environmental protection.

Press-fit terminals into housing minimizes the possibility of wicking.

Pre-formed sturdy terminals snap positively into PC board. No other mounting means necessary.

Type G-105 Plug-In SPST

Ratings*

TYPE	ELECTRICAL RATING	LISTING
G-105	0.5 A at 125 Vac- Vdc 0.25 A at 250 Vac	U.L. & C.S.A. U.L. & C.S.A.
G-107	0.5 A at 125 Vac-Vdc	U.L. & C.S.A.

*Recognized under the Component Recognition Program of Underwriter Laboratories, Inc., and certified by Canadian Standards Association. (UL File No. E9556, CSA File No. LR20985)

Performance

Endurance—Greater than 100,000 cycles, 10 milliamps at 9 Vdc resistive
Greater than 100,000 cycles, 10 microamps at 5 Vdc
Greater than 15,000 cycles, 2.0 A at 2.4 Vdc
Greater than 6000 cycles, 1 A at 125 Vac
Greater than 6000 cycles, 0.5 A at 125 Vdc

Contact Resistance— Less than 10 milliohms before and 50 milliohms after endurance test

SPECIF



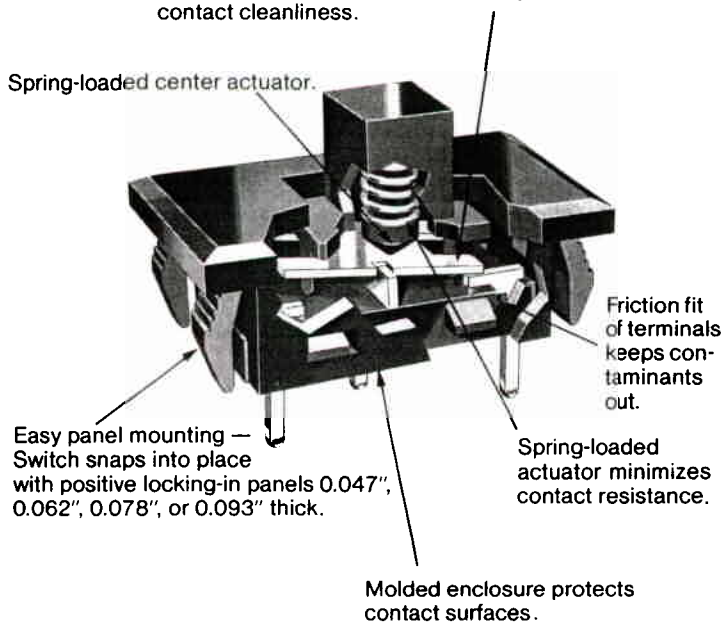
Type G-107-SI Snap-In
ACTUAL SIZE



Type G-107 Plug-In
ACTUAL SIZE

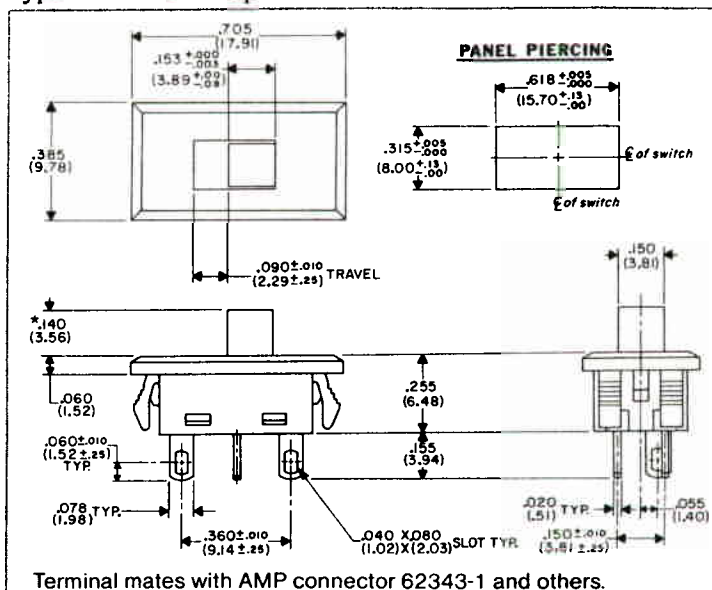
CONSTRUCTION

Unique sliding action in combination with rotation of "see-saw" moving contact provides wiping action that ensures contact cleanliness.

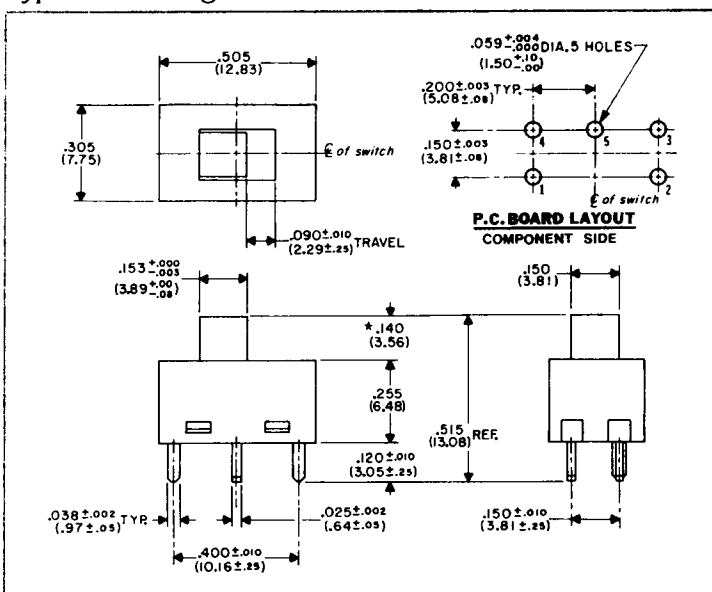


Type G-107-SI Snap-In

Type G-107-SI Snap-In



Type G-107 Plug-In



SPECIFICATIONS

- Dielectric Withstanding Voltage**—2000 volts rms—1 minute minimum
- Capacitance**—Less than 1.0 pF
- Operating Temperature**—105°C ambient maximum, -20°C minimum
- Storage Temperature**—-40°C to 105°C
- Humidity**—After 100 hrs. at 95% relative humidity, 50°C and drying for 1 hr. at 27°C, insulation resistance is greater than 10⁹ megohms
- Hand Soldering**—Use no more than 30 watt iron for no more than 4 seconds in contact with terminal

Materials

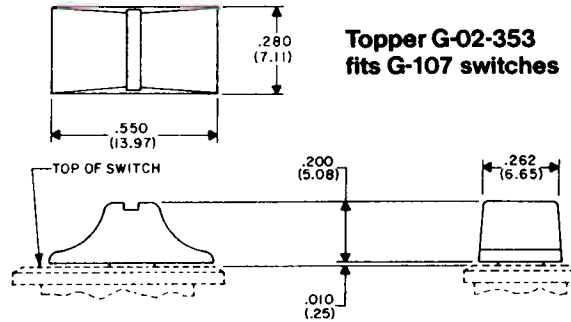
- Button—Type 6/6 nylon
- Housing—Glass-filled nylon—94V-0
- Spring—Music wire
- Actuator—Glass-filled nylon
- Terminal Board—Glass-filled nylon—94V-0
- Moving Contact—Copper alloy
- Center Contact and Terminal—Copper, plated
- End Contact and Terminal—Copper, plated
- Contact Plating—Standard is silver; also available with 30 μ" gold over 50 μ" nickel if quantities are sufficient.

Specifications subject to change without notice.

ACCESSORIES

Toppers - Shown is topper that can change your panel appearance and product styling.
Hot Stamping - Functional or decorative marking of your choice can be imprinted on "Topper" or housing surface with CW's "in-house" facilities.

Colors - CW stores molding powders in many colors. "Toppers", buttons, and housings are available in a variety of colors if your quantity is sufficient.



Available circuit configurations for Type G-107 switches.

CIRCUIT CONFIGURATION		
TYPE	POSITION 1	POSITION 2
G-107-1		
G-107-2		
G-107-3		
G-107-4		
G-107-5		
G-107-6		
G-107-7		

Note: Contact numbers and their orientation correspond to the orientation of numbered contacts in PC layout. Blue — Indicates current flow between contacts.

HOW TO ORDER

Specify CW part number by referencing drawing that shows switch of your choice. If switch you require differs from drawing, specify differences from options available.

CW PATENTS

CW Engineers are constantly trying to upgrade the quality and cost effectiveness of our switches. Often this results in new inventions. Switch products shown in this catalog may be covered by one or more of the following U.S. Patents:

3,270,149 3,993,881
 3,271,535 4,404,437
 3,311,719 4,128,745
 3,461,252 4,410,232

Other patent applications are pending.

CARE IN SWITCH INSTALLATION

CW switches will perform properly if they are installed and used properly. Causes for failure often encountered in the field that are the responsibility of the user are:

1. Removal of factory applied lubricants from switch contacts and moving parts.
2. Introduction of foreign material into switching mechanism...flux, solder, cleaning materials, potting compounds.
3. Restriction of movement of switch button.
4. Excessive heat often introduced while soldering.
5. Switching loads in excess of rating.

Manufacturing Engineers are cautioned to avoid misusing switches and resultant switch failures.

Send for more information about CW and its products:

Switches

- Section I** —CW facilities
- Section II** —Standard slide switches — up to 13.0 amps, 125 Vac; with actuator travel of .158 for spdt switches
- Section III** —Miniature slide switches — up to 8.5 amps, 125 Vac; with actuator travel of .142 for spdt switches
- Section IV** —Microminiature slide switches — up to 0.5 amps, 125 Vac; with actuator travel of .105 for spdt switches
- Section VI** —"Pop-in" power switches — up to 16.0 amps, 125 Vac; with actuator travel of .158 and with terminals for use with .250" wide receptacle connectors
- Section VII** —Bifurcated contact slide switches — up to 3.0 amps, 125 Vac; with actuator travel of .142 for the miniature size and .153 for the standard size

Section VIII—IDC Connectors

Custom designed switches to meet special requirements also available; consult factory.

CW INDUSTRIES

130 James Way, Southampton, PA 18966
 Tel. (215) 355-7080 Telex 83-1740 Cable CWIND

QUALITY PRODUCTS THRU CREATIVE ENGINEERING