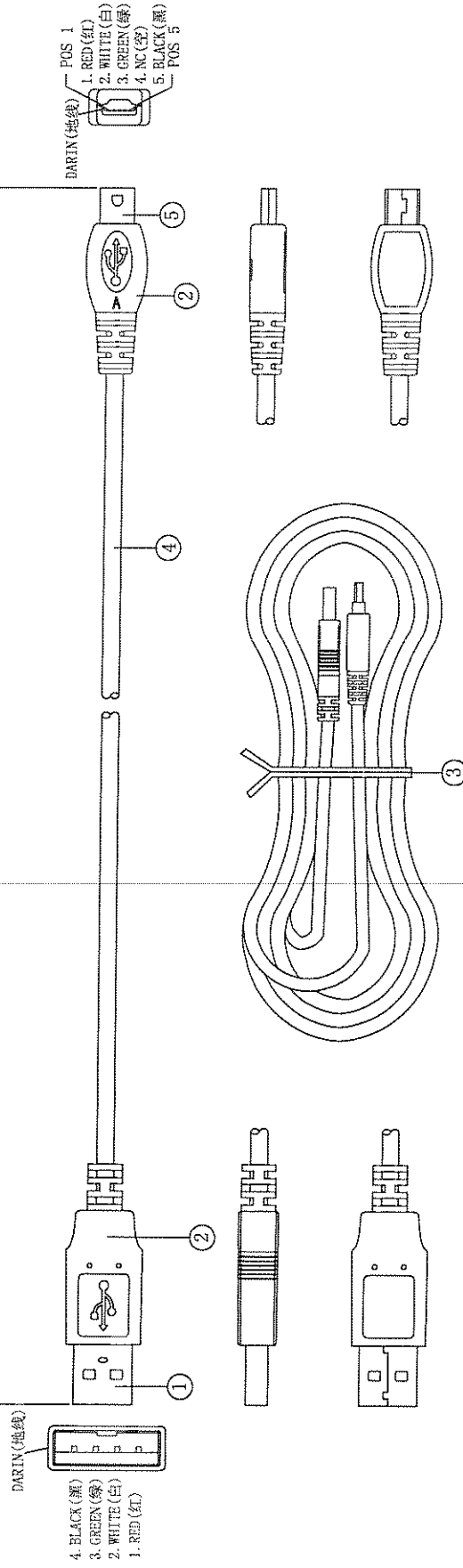


915 ± 25 (3FT ± 1IN)



| No. | DESCRIPTION | SPECIFICATION | UNIT | Q'TY |
|--|-------------|---|------|----------------------------------|
| 1 | PLUG | USB-A PLUG, 4 POSITION, 3-5u" GOLD PLATED, NICKEL SHELL, WHITE INSULATOR, GREEN PARTS. | SET | 1 |
| 2 | HOLDER | RAW MATERIAL, MOLD, MOLDED WHITE (HT001) PVC, 45P, GREEN PARTS. | EA | 2 |
| 3 | BAND WIRE | WHITE COLOR ENFOLD GLUEY WIRE. | MM | 89 ± 3 |
| 4 | CABLE | USB V2.0 CABLE, 4 CONDUCTORS, (2 CONDUCTORS, 28 AWG (7/36) TINNED COPPER STRANDED WIRE, SR-PVC INSULATION & 1TP 28 AWG (7/36) TINNED COPPER STRANDED WIRE, PE INSULATION) ALUMINUM FOIL, TINNED COPPER BRAID SHIELD & 28AWG (7/36) DRAIN WIRE, U.L. APPROVED, WHITE (HT001) PVC JACKET, O. D. = 3.6MM, GREEN PARTS. | MM | 915 ⁺¹⁰ ₋₀ |
| 5 | PLUG | MINI-A USB PLUG, 5 POSITION, 3-5u" GOLD PLATED, WHITE INSULATOR, NICKEL SHELL, GREEN PARTS. | SET | 1 |
| <p>FUNCTION TEST: No open, no reversed polarity, no short-circuit, no INT (功能测试: 无开路, 无极反, 无短路, 无INT).</p> <p>CABLE ASSEMBLY SHALL BE IN COMPLIANCE WITH RoHS REQUIREMENT. 成品要求符合 RoHS 环保要求.</p> | | | | |

| | | | | |
|----------------|-------|---------------|------|-----------|
| TOLERANCE | 设计/日期 | 兰宗洲21/11/2008 | DC线 | END-06429 |
| X = ± 0.5mm | 绘图/日期 | 兰宗洲21/11/2008 | 图样标记 | 版本 |
| .X = ± 0.3mm | 审核 | | 00 | R0 |
| .XX = ± 0.05mm | 日期 | | | 起始 |
| | 批准 | | | 比例 |
| | 日期 | | | |
| | | | MM | 第1页共1页 |

MODEL: CUI-4764-A0