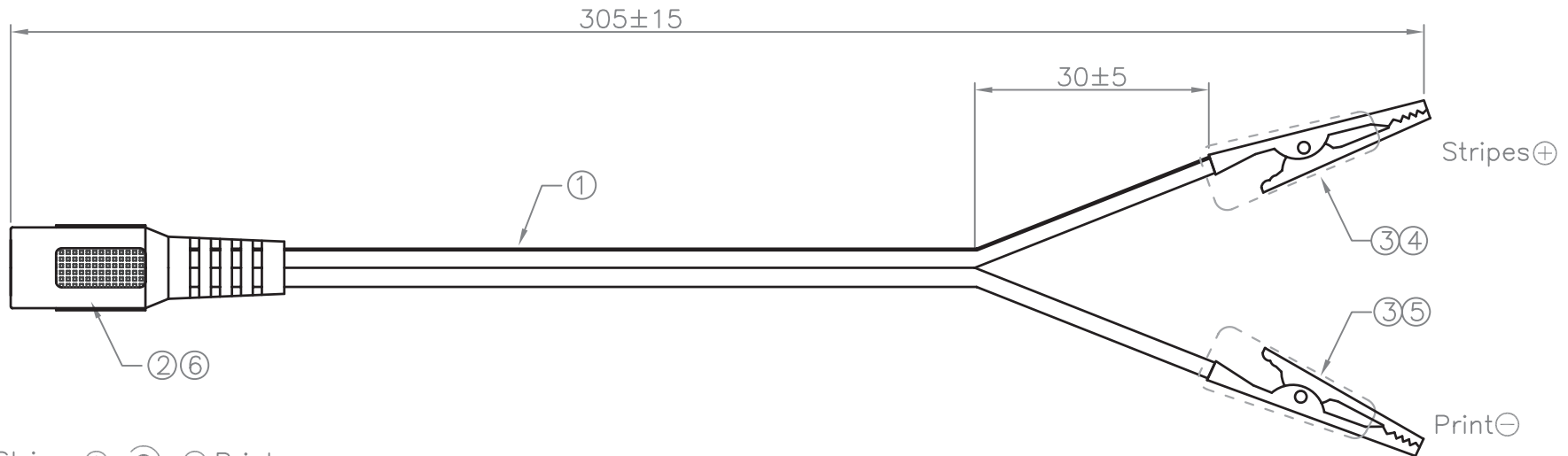


REV.	DESCRIPTION	DATE
A	NEW DRAWING	03/02/2009

Tooling No.	Type
Head(in)	ZP-408 125
Head(out)	ZP-408 150
End(in)	
End(out)	



Stripes+ — ● — Print-
(WIRING DIAGRAM)

NOTES:

- All materials meet EURO. STD and RoHS limit test method: EN71, EN1122, EPA3050B
- Green product identification label place in packing carton

⑥	MOLDING MATERIAL: BLACK	
⑤	Cover: BLACK	1PC
④	Cover: Red	1PC
③	ALLIGATOR CLIP(Serrated): YE-2013 or EQU.	2PCS
②	JACK: 5.5*2.1 Female	1PC
①	Cable: UL/CSA SPT-1 18#/2C ϕ 2.8*5.5mm Black L=270mm	1PC
NO.	Description	Q'TY

TOLERANCE	.X \pm 0.5
	.XX \pm 0.3



20050 SW 112th Ave.
Tualatin, OR 97062
Phone: 503-612-2300
800-275-4899
Fax: 503-612-2383
Website: www.cui.com

TITLE: Cable Assy, P5 receptacle to two Alligator Clips, 1ft		REV: A
PART NO. CA-2225	UNITS: MM	
DRAWN BY: JRH	APPROVED BY:	SCALE:

