



Features:

- Replaces separate display and meter modules
- Optional red, green or blue LED
- Bezel mount or 180° gimbal mounting in multiple planes
- Resistant to RF and EMI
- Rugged metal case
- 2.3" LED display visible from across the room
- Multifunction loop, set voltage, adjustable voltage inputs, all included
- Isolated AC supply works anywhere in the world

Specifications:

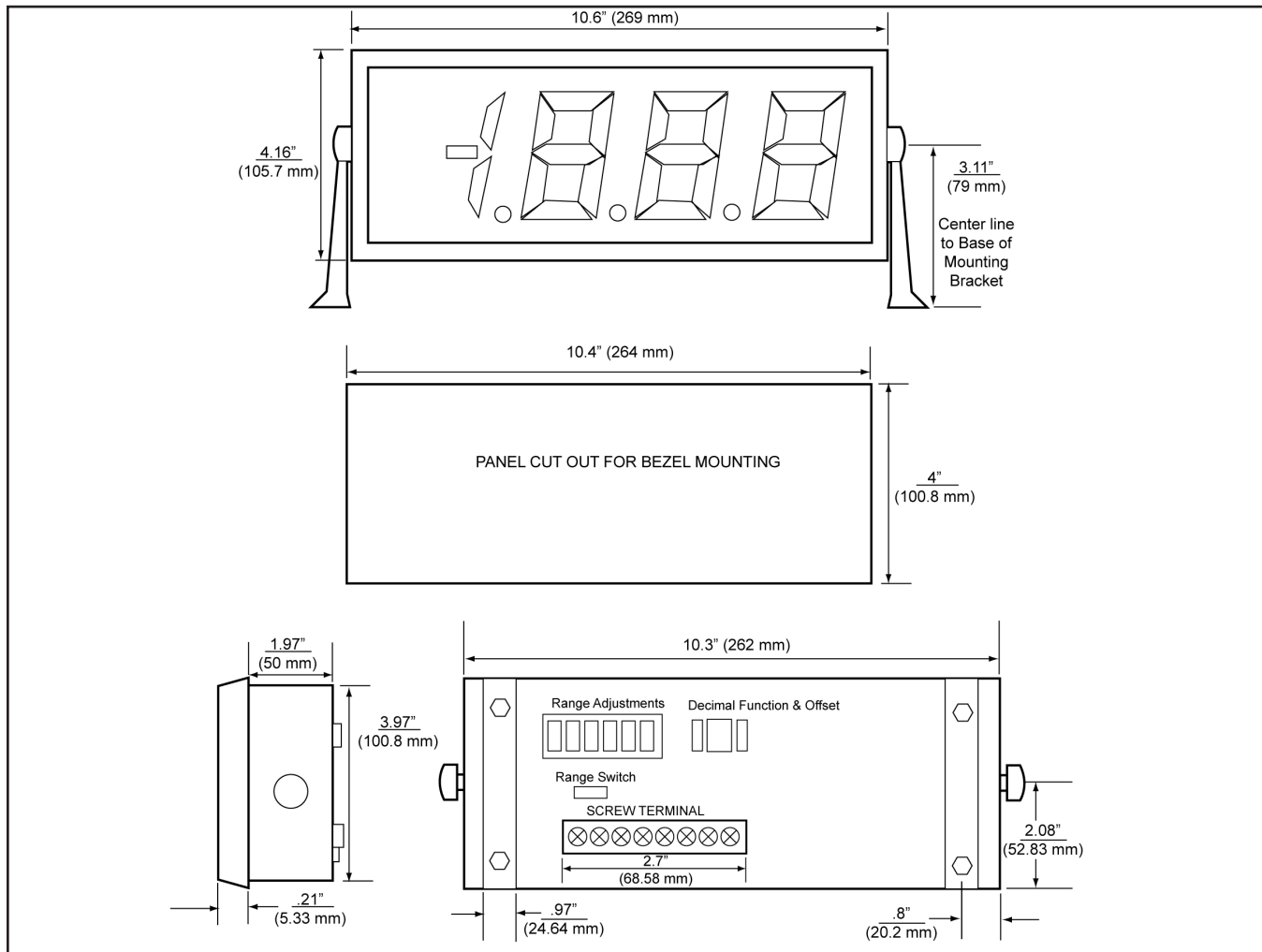
Display: Digits:	3 1/2 digits (±1999 counts)	
Type:	2.3" (58.4mm) - 7 segment LED	
	Optional red	
	Optional green	
	Optional blue	
Inputs:		
Set Voltage Ranges:	±200mV, ± 2V, ±20Vdc	
Configuration:	Bipolar differential	
Protection:	±350Vdc, (±100Vdc on 200mV Range)	
Impedance:	>1MΩ, (>10MΩ on 200mV Range)	
Adj. Voltage Ranges:	200mV, 5V, 10Vdc	
Offset Range:	-1999 to +1999	
Gain Range:	1 to 1000	
4-20mA Loop Ranges:	4 to 20mA DC	
Configuration:	Bipolar differential	
Protection:	±30mA	
Loop Impedance:	300Ω nominal	
Performance:	Accuracy:	±1% fs + 1 count)
Conversion Rate:	3 per second	
Normal Mode Rejection:	>30 db @ 60 Hz	
Common Mode Rej.:	>86 dB	
Zero Adjustment:	Automatic on set voltage ranges	
Warmup:	10 minutes typical	
Temperature Coeff.:	± 100 ppm per °C typical	
Environment:	Operating Range: -10 to 50 °C	
	Storage Range: -40 to 75 °C	
Power Supply:	90 to 250 Vac @ 12VA	
Mounting:	180° gimbal mounting with 30° stops, or bezel mount	
Connection:	Screw terminals	

Ordering Information:

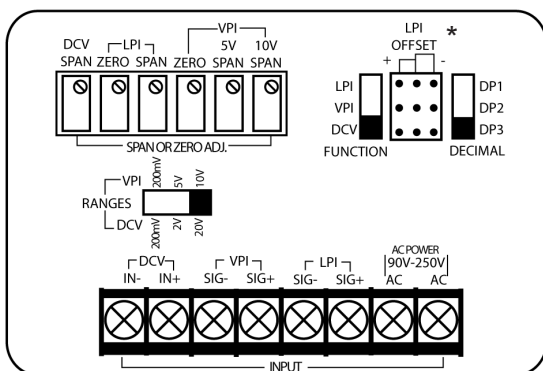
BDR-999R.....	RED LED
BDR-999G.....	GREEN LED
BDR-999B.....	BLUE LED



Dimensions



Wiring & Calibration



1. Set function switch in correct position (LPI, VPI, DCV).
2. Set voltage input range switch in correct position (200mV, 2V/5V, 20V/10V).
3. Attach input wires to appropriate screw terminals.
4. Attach power wires to A/C power screw terminals.
5. Power unit up.
6. Apply lowest input into meter, adjust correct zero pot for required reading (none on DCV function).
7. Apply highest input into meter, adjust correct span pot for required reading.
8. Recheck zero input and adjust again as needed.
9. Check reading at mid-point for required reading.
10. Select appropriate decimal as required.

* LPI OFFSET PIN POSITIONS

In "+" position enables user to have negative zero readings.

In "-" position enables user to have positive zero readings.