

1

2

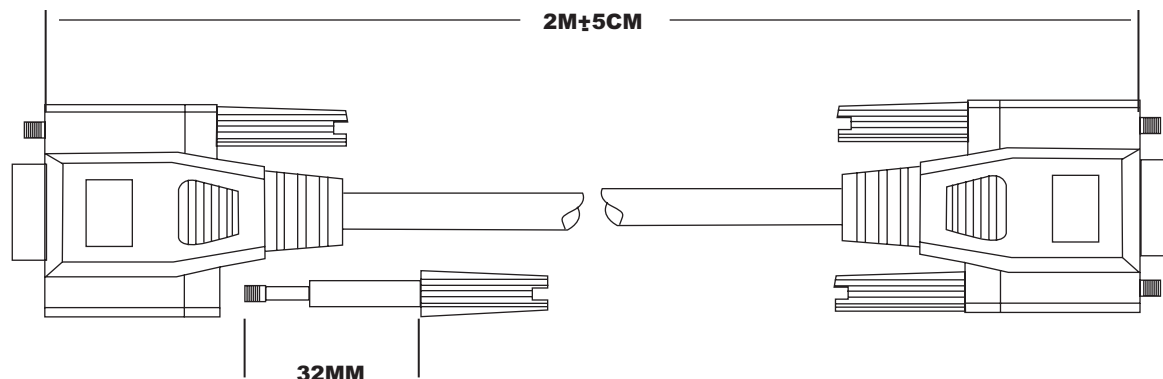
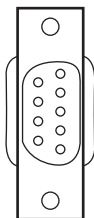
3

4

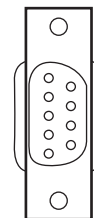
A

A

DB9 Female



DB9 Female



B

B

Material:

- 1.Cable: #28 9C+1+AL/MY(Beige PVC Jacket) O.D:5.0mm
- 2.Both connectors with normal type
- 3.Thumbscrew: #4-40UNC Type
- 4.Outter Molded with beige PVC

Notes:

- 1.Total Length: 2M±5CM
- 2.Color: Beige
- 3.Molded Type

Configuration:

DB9F		DB9F
1	_____	1
2	_____	2
3	_____	3
4	_____	4
5	_____	5
6	_____	6
7	_____	7
8	_____	8
9	_____	9
Shield	_____	Shield

C

C



Description

Name :
AK152-2-R
 DB9 Female-DB9 Female



D

D

THIS DRAWING IS UNPUBLISHED

© Copyright 2005 by Assmann Electronic Components All International Rights Reserved

This drawing is a controlled document for Assmann Electronics, Inc. It is subject to change and the controlling engineering organization should be contacted for the latest revision.

1

2

3

4