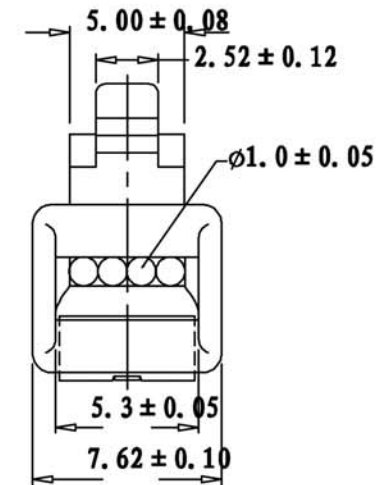
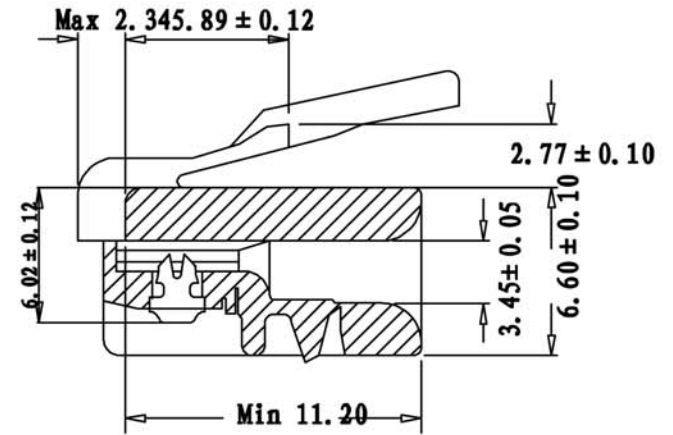
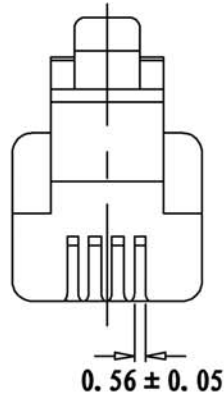


**MP4P4C**



**Specifications:**

- Housing: Poly Carbonate(PC) UL94V2 No. E919153
- Contact Blade: High Strength Copper Alloy
- Material: 100 Micron Nickel UCNDerplated
- Plating Type: 8% Phosphor Bronze
- Plating Thickness: (50μ") Gold Plated
- Operating Temperature: -40°C to +125°C
- Current Rating: 250V AC Max at 2A
- Dielectric: 500V AC
- Insulation Res: 500MΩ
- Termination Res: 35 Max after Environmental Tests
- Tensile Strength: 20lbs. (89N)Min
- Durability: 500 Mating Cycles
- Complies with FCC68/F



ITEM NO

**A-MO-4/4-F50-R**

TITLE

Modular Plug, 4P4C 50μ" Contact Plating

**ASSMANN**  
Electronics, Inc.

1840 W. Drake Drive, Suite 101 - Tempe, AZ 85283

Toll Free: 1-877-277-6266 Email: info@usa-assmann.com

THIS DRAWING IS UNPUBLISHED

© Copyright 2009 by Assmann Electronic Components  
All International Rights Reserved