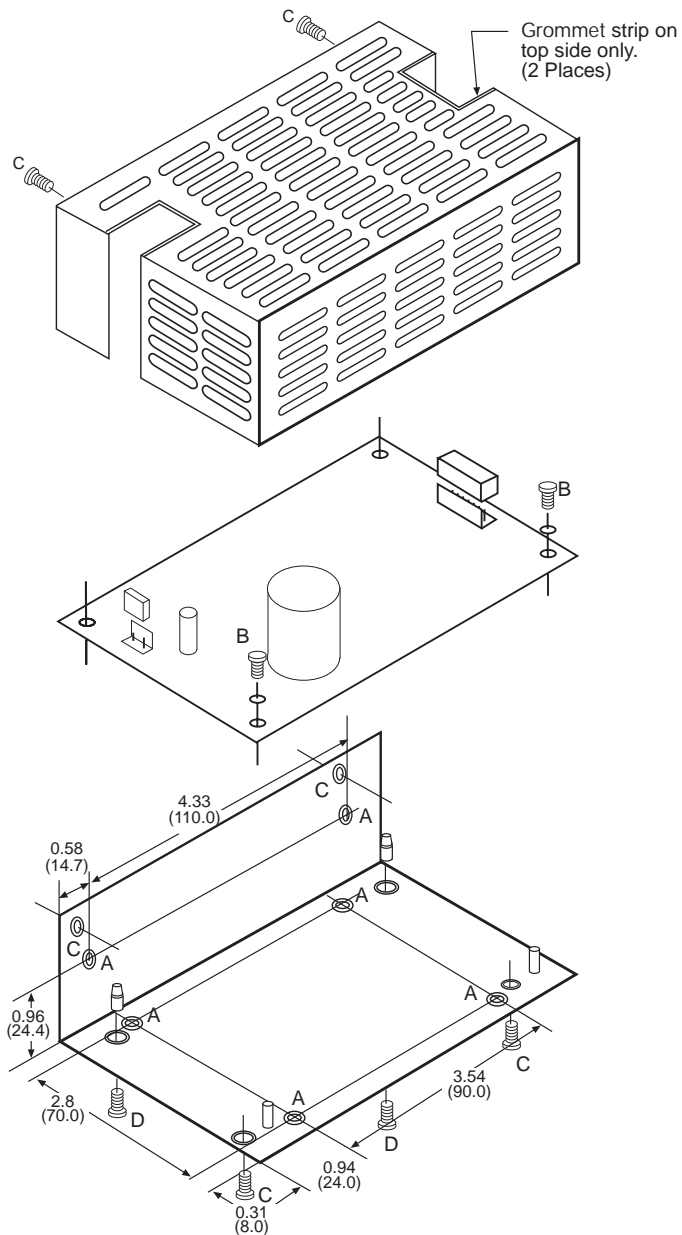


# NLP65 Series

## Cover, connector and mounting kit

- L-bracket and slotted cover
- Assembly instructions
- Mounting screws
- Crimp terminals
- Mating connectors

### MECHANICAL SPECIFICATIONS



#### MODEL NUMBER: NLP65 COVER KIT

L-BRACKET outside dimensions: 139.5 x 87.2 x 47.9mm  
COVER outside dimensions: 139.5 x 85.8 x 46.3mm  
See cover kit assembly notes

**Note:** When a cover or other sheetmetal option is added by a person or persons outside the factory, it is the user's responsibility to ensure that the requirements of the relevant safety agency, or agencies, are complied with.

#### Cover Kit Assembly Notes

- 1 Before assembly, ensure unit has been turned off for at least 10 minutes.
- 2 "A" denotes customer mounting holes (threaded M3 [Qty: 6]). Maximum screw penetration into customer mounting holes is 3mm.
- 3 "B" denotes PCB fixing screws (Pan head Philips M3 X8 [Qty: 2]).
- 4 "C" denotes case assembly points and screws (c'sunk Philips head M3 X6 [Qty: 4]).
- 5 "D" denotes case assembly points and stand-off screws [Qty: 2] (#6 self tapping, slot head, c'sunk, 7mm).
- 6 Cover cable exit area with grommet strip (optional).
- 7 Ensure all parts are free of foreign materials.