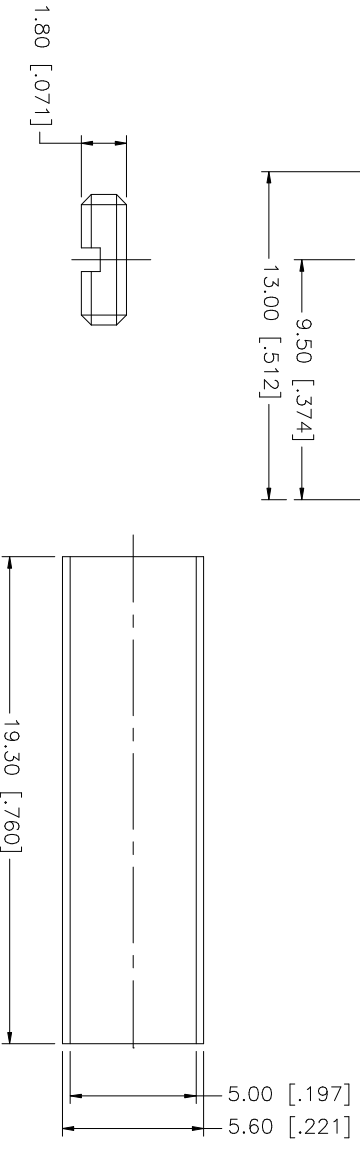
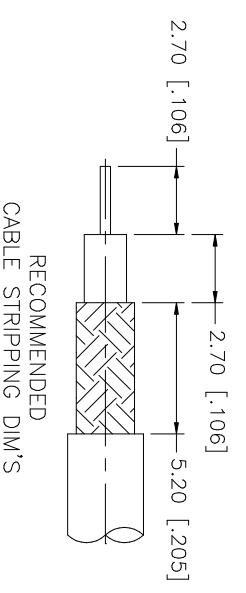
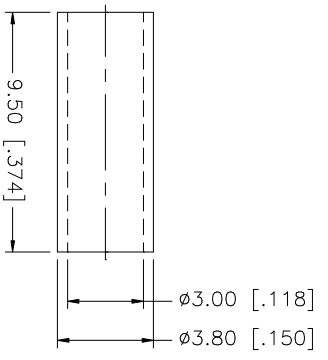
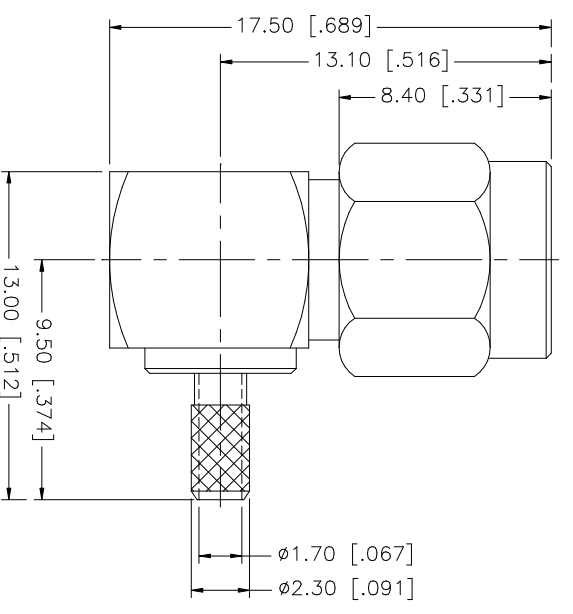


REV.	DATE	DESCRIPTION
NC	04/17/00	INITIAL RELEASE
A	07/21/05	UPDATE DRAWING FORMAT



NOTES:
 1. CRIMPED FERRULE
 HEX CRIMP SIZE .128"

Amphenol Connex

PART DESCRIPTION
 SMA R/A CRIMP PLUG, REVERSE POLARIZED
 (FOR RG-174/U, 188/U, 316/U CABLE)

NO.	DESCRIPTION	MATERIAL	FINISH	QTY	DO NOT SCALE DRAWING	APPROVALS	DATE	PART NO.	DWG. NO.	REV.	SIZE	SCALE
8												
7												
6												
5	HEAT SHRINK TUBE			1								
4	FERRULE	COPPER	GOLD	1								
3	CONTACT PIN	BRASS	GOLD	1								
2	INSULATOR	TEFLON	NATURAL	1								
1	BODY	BRASS	GOLD	1								
	DESCRIPTION	MATERIAL	FINISH	QTY	DO NOT SCALE DRAWING							

UNLESS OTHERWISE SPECIFIED DIMENSIONS ARE IN MILLIMETERS. DIMENSIONS IN [] ARE IN INCHES AND FOR CUSTOMER REFERENCE ONLY. TOLERANCES FOR MILLIMETERS ARE:
 0.5 - 8mm ± 0.20mm
 8 - 30mm ± 0.40mm
 30 - 120mm ± 0.50mm
 UNLESS OTHERWISE SPECIFIED TOLERANCES FOR INCHES ARE:
 .020 - .315 = ± 0.007"
 .315 - 1.180 = ± 0.015"
 1.180 - 4.724 = ± 0.020"

APPROVALS	DATE
DRAWN G.R.S.	07/21/05
CHECKED	
ISSUED	
SHEET 1 OF 1	

CAD FILE C:/132/132123RP.DWG
 DWG. NO. 132123RP.DWG
 REV. A
 SIZE A
 SCALE NA