

Ultra High Performance BGA Cooling Solutions w/ maxiGRIP™ Attachment*

DIGI-KEY PART # ATS1038-ND

ATS PART # ATS-50290P-C2-R0

Features & Benefits

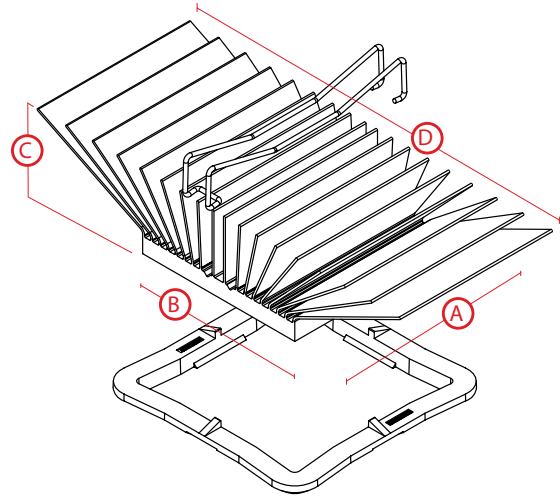
maxiFLOW™ design features a low profile, spread fin array that maximizes surface area for more effective convection (air) cooling

maxiGRIP™ attachment applies steady, even pressure to the component and does not require holes in the PCB

Meets Telcordia GR-63-Core Office Vibration; ETSI 300 019 Transportation Vibration; and MIL-STD-810 Shock and Unpackaged Drop Testing standards

Comes preassembled with high performance, phase changing, thermal interface material

Designed for standard height components from 3 to 4.5mm



Thermal Performance Table

AIR VELOCITY		THERMAL RESISTANCE	
FT/MIN	M/S	°C/W (UNDUCTED)	°C/W (DUCTED)
200	1.0	3.5	2.8
300	1.5	2.8	
400	2.0	2.5	
500	2.5	2.2	
600	3.0	2	
700	3.5	1.9	
800	4.0	1.8	

Product Details†

DIMENSION A	DIMENSION B	DIMENSION C§	DIMENSION D	TIM‡	FINISH
29	29	17.5	51.74	C1100F	BLUE-ANODIZED

For further technical information, please contact Advanced Thermal Solutions, Inc. at **1-781-769-2800** or www.qats.com

* RoHS Compliant

‡ TIM = Thermal Interface Material

† Dimensions are measured in millimeters

◆ Dimensions A & B refer to component size

§ Dimension C = the height of the heat sink shown above and does not include the height of the attachment method



ATS ADVANCED THERMAL SOLUTIONS, INC.

Innovations in Thermal Management®



To place an order, please visit www.digikey.com