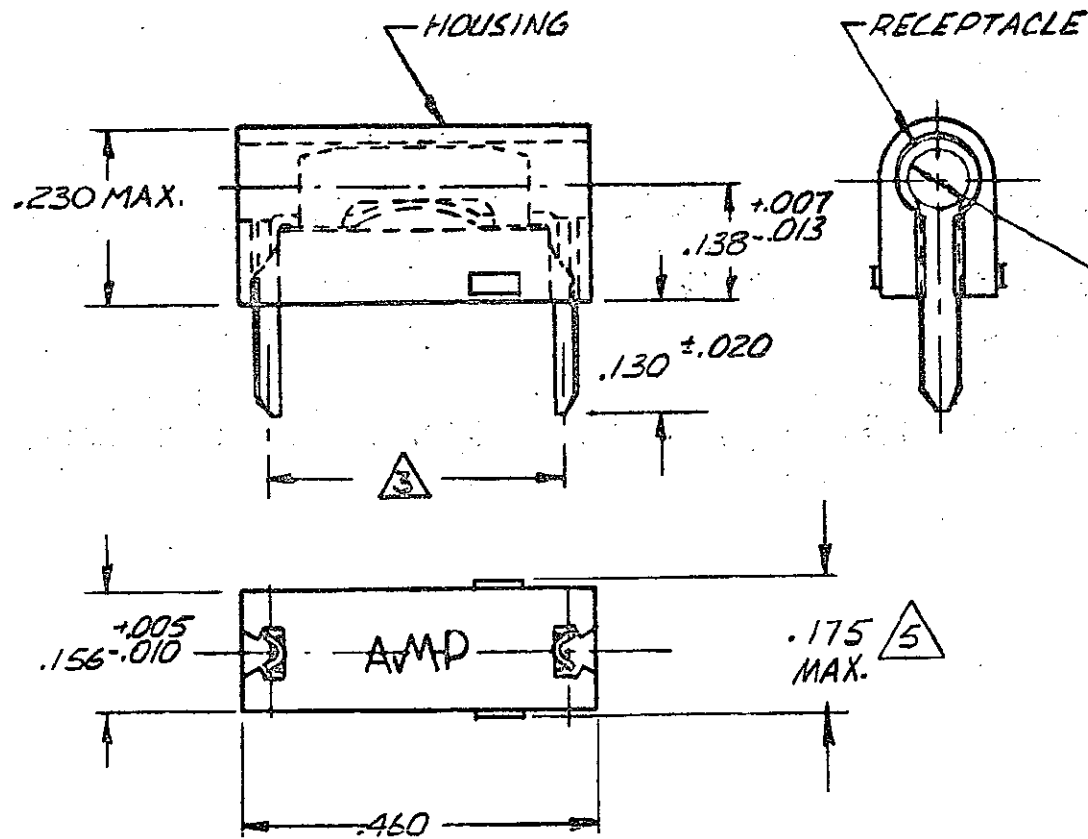
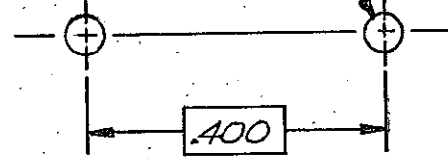


© 1968 BY AMP INCORPORATED. ALL RIGHTS RESERVED. AMP PRODUCTS COVERED BY PATENTS AND/OR PATENTS PENDING.



.054/.050 DIA.

⊕ | ∅ .005 (M)



ZONE	LTR	DESCRIPTION	DATE	APPROVED
#	L	REDRAWN & REMOVED 582340	5/28/68	EMD/RU
#	M	CLARIFIED FINISH	8-15-69	JRK/AET
	N	ADDED 1-582118-0 THRU 1-9	3/15/75	BY/ORA
	P	REVISED PER M-3356	9-2-75	SPD/
	R	REVISED M-5106	1/2/79	DAS/DH
	R1	RESTORATION	5-23-85	K5/SJ
	S	REV AG 1047 LOC TO CY	12-22-87	ZSM
	S1	REV PER AG-5173 LOC TO AG	4-11-88	VS/
	T	REV PER AG-5113	6-15-88	RET/DM
✓	U	REV PER ECN AG-1263	10-12-88	KJB (10)
✓	V	REV PER AG-1392	12-14-88	SSA (10)
✓	W	REV PER AG-2037	8-23-90	KJB (10)
✓	Y	REV PER AG-2035 & AG-2036	10-18-90	KJB (10)
	Z	RELOCATE PER OGIA-0364-98	11/8/92	JR/

6-582118-9	NATURAL	GOLD
5-582118-9	NATURAL	SILVER OBSOLETE
3-582118-9	WHITE	GOLD
3-582118-8	GRAY	GOLD
3-582118-7	VIOLET	GOLD
3-582118-6	BLUE	GOLD
3-582118-5	GREEN	GOLD
3-582118-4	YELLOW	GOLD
3-582118-3	ORANGE	GOLD
3-582118-2	RED	GOLD
3-582118-1	BROWN	GOLD
3-582118-0	BLACK	GOLD
2-582118-9	WHITE	SILVER
2-582118-8	GRAY	SILVER OBSOLETE
2-582118-7	VIOLET	SILVER OBSOLETE
2-582118-6	BLUE	SILVER
2-582118-5	GREEN	SILVER
2-582118-4	YELLOW	SILVER OBSOLETE
2-582118-3	ORANGE	SILVER OBSOLETE
2-582118-2	RED	SILVER
2-582118-1	BROWN	SILVER OBSOLETE
2-582118-0	BLACK	SILVER

PART NO	COLOR	RECEPT FINISH
1-582118-9	WHITE	TIN
1-582118-8	GRAY	TIN OBSOLETE
1-582118-7	VIOLET	TIN OBSOLETE
1-582118-6	BLUE	TIN OBSOLETE
1-582118-5	GREEN	TIN
1-582118-4	YELLOW	TIN
1-582118-3	ORANGE	TIN OBSOLETE
1-582118-2	RED	TIN
1-582118-1	BROWN	TIN OBSOLETE
1-582118-0	BLACK	TIN
PART NO	COLOR	RECEPT FINISH

- OPERATION TEMPERATURE - 105° MAX.
- RETENTION FORCE - 16 OUNCES MIN. INITIALLY. 6 OUNCES MIN. AFTER 500 CYCLES.
- REFER TO MOUNTING HOLE PATTERN.
- COLORS PER EIA STANDARD EIA-359.
- .175 MAX. TO BE MEASURED ACROSS THE CUTOFF TABS.

PART NO	COLOR	RECEPT FINISH
1-582118-9	WHITE	TIN
1-582118-8	GRAY	TIN OBSOLETE
1-582118-7	VIOLET	TIN OBSOLETE
1-582118-6	BLUE	TIN OBSOLETE
1-582118-5	GREEN	TIN
1-582118-4	YELLOW	TIN
1-582118-3	ORANGE	TIN OBSOLETE
1-582118-2	RED	TIN
1-582118-1	BROWN	TIN OBSOLETE
1-582118-0	BLACK	TIN
PART NO	COLOR	RECEPT FINISH

UNLESS OTHERWISE SPECIFIED DIM. ARE IN INCHES. TOLERANCES ON: DECIMALS ± .015 ANGLE ± .5°

MATERIAL: MOUNTING NYLON TYPE 6/6; RECEPT BRASS ASTM B-36 ALLOY 6

CONTRACT NO. **EM ALBANY 428/68**

DR **EM ALBANY 4/3/68**

CHK **CFE**

DESIGN APP'D **CFE**

OTHER APP'D

AMP INFO: LOC **AF**, PRINT DIST **50**, HEAT TREAT **S**, FINISH

AMP INCORPORATED HARRISBURG, PENNSYLVANIA

TEST PROBE ASSEMBLY

SIZE **B**, CODE IDENT NO. **00779**, NUMBER **582118**

SCALE **4:1**, SHEET **1 OF 1**

CUSTOMER DRAWING