

Repeaters



R810 In-Building Cellular Repeater

Holes in your digital cellular network can result in dropped calls, frustrated subscribers, and lost revenue. Solve your indoor coverage problems quickly and easily with Watkins-Johnson's R810 in-building repeater. The "over the air" repeater provides coverage to retail stores, shopping malls, airports, multi-story buildings and small site applications that obstruct cellular signals.

Small, lightweight, and easy to install, the R810 repeater provides in-building coverage in less than a day. One installer can mount the unit and connect it to the antennas with low cost coaxial cables. Simply plug it in and turn it on. Coverage is immediate and seamless. The R810 also comes with software to monitor signal strength and alarms and control frequency channel and gain.

Single and multi-carrier capability are available as well as RS232 and modem interfaces. Software running Windows 95 and Windows NT allows the installer to monitor alarm and signal information.

- *Covers Buildings up to 1 Million Square Feet*
- *Retail Stores & Shopping Malls*
- *Airport Terminals*
- *Easy Installation*
- *Low Cost*

The Communications Edge™

WJ WIRELESS COMMUNICATIONS PRODUCTS
1-800-WJ1-4401 • FAX: 650-813-2447 • e-mail: wireless.info@wj.com



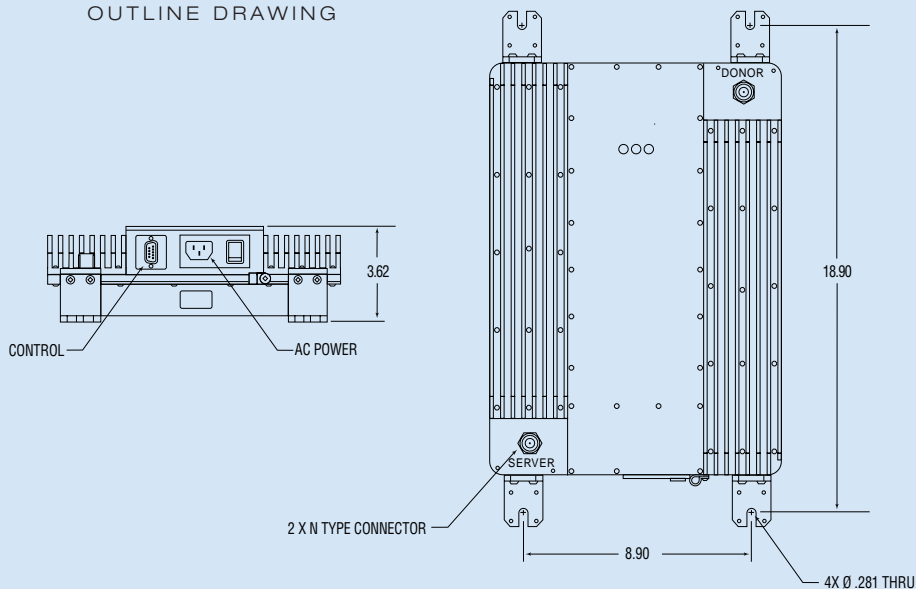
WATKINS-JOHNSON

Repeaters

R810 In-Building Cellular Repeater

Specifications	
Frequency Range	Amps Band A or B
Output Power	100 mWatts
Noise Figure	4 dB Typical @ max gain, 6 dB Typical @ min gain
Gain Range	40 dB to 70 dB
Gain Steps	2 dB
Signal Delay	5 µsec.
RF Connectors	Type N
Power supply	110 VAC, 60 Hz, 60 Watts
Alarms & Status	Input Overload, Synthesizers, Amplifiers, Power Amplifiers, Output Power, RSS
Interface	RS-232 (Modem optional)
Control	Gain
Cooling	Convection
Temperature	Operating: -10 to +45 C Storage: -40 to +85 C
Size	12" x 16" x 3"
Weight	19 lbs
Weather Resistance	NEMA 12

OUTLINE DRAWING



The Communications Edge™