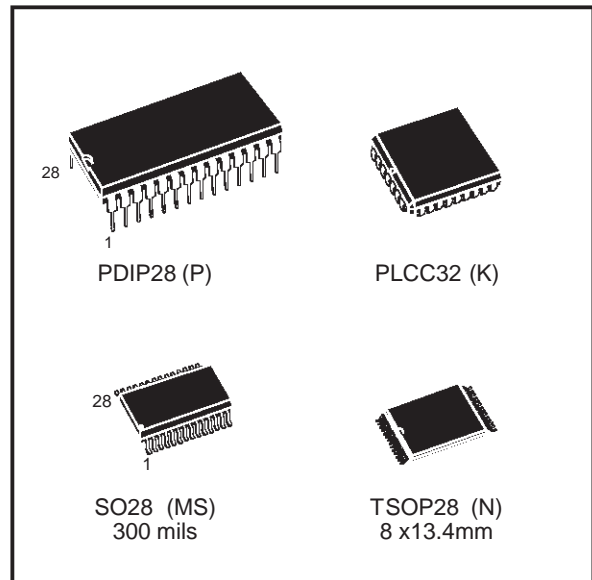




**64 Kbit (8Kb x8) Parallel EEPROM**

- FAST ACCESS TIME: 150ns
- SINGLE 5V ± 10% SUPPLY VOLTAGE
- LOW POWER CONSUMPTION
- FAST WRITE CYCLE
  - 32 Bytes Page Write Operation
  - Byte or Page Write Cycle: 5ms
- ENHANCED END OF WRITE DETECTION
  - Ready/Busy Open Drain Output (for M28C64C product only)
  - Data Polling
  - Toggle Bit
- PAGE LOAD TIMER STATUS BIT
- HIGH RELIABILITY SINGLE POLYSILICON, CMOS TECHNOLOGY
  - Endurance >100,000 Erase/Write Cycles
  - Data Retention >40 Years
- JEDEC APPROVED BYTEWIDE PIN OUT



**DESCRIPTION**

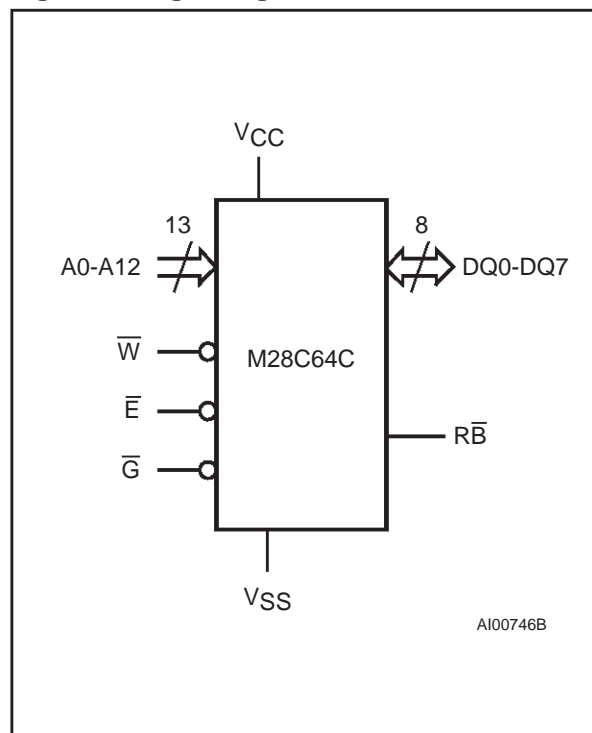
The M28C64C is an 8 Kbit x8 low power Parallel EEPROM fabricated with STMicroelectronics proprietary single polysilicon CMOS technology. The device offers fast access time with low power dissipation and requires a 5V power supply.

The circuit has been designed to offer a flexible microcontroller interface featuring both hardware and software handshaking mode with Ready/Busy, Data Polling and Toggle Bit. The M28C64C supports 32 byte page write operation.

**Table 1. Signal Names**

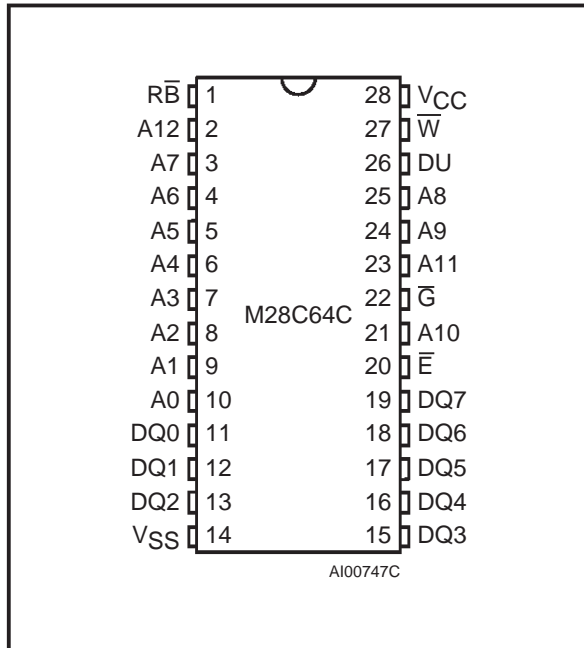
A0 - A12	Address Input
DQ0 - DQ7	Data Input / Output
$\overline{W}$	Write Enable
$\overline{E}$	Chip Enable
$\overline{G}$	Output Enable
$\overline{RB}$	Ready / Busy
V <sub>CC</sub>	Supply Voltage
V <sub>SS</sub>	Ground

**Figure 1. Logic Diagram**



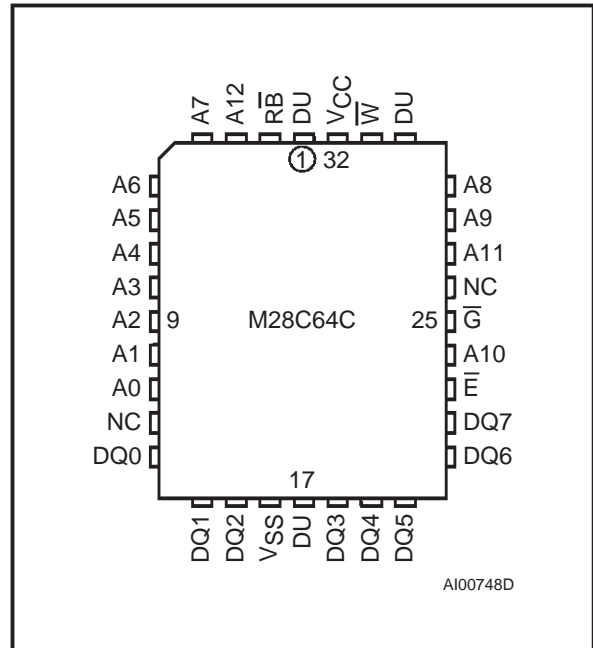
## M28C64C, M28C64X

Figure 2A. DIP Pin Connections



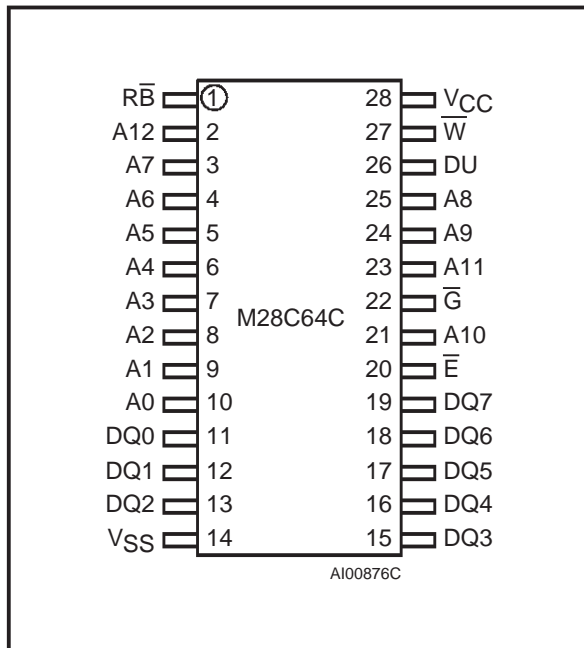
Warning: DU = Don't Use.

Figure 2B. LCC Pin Connections



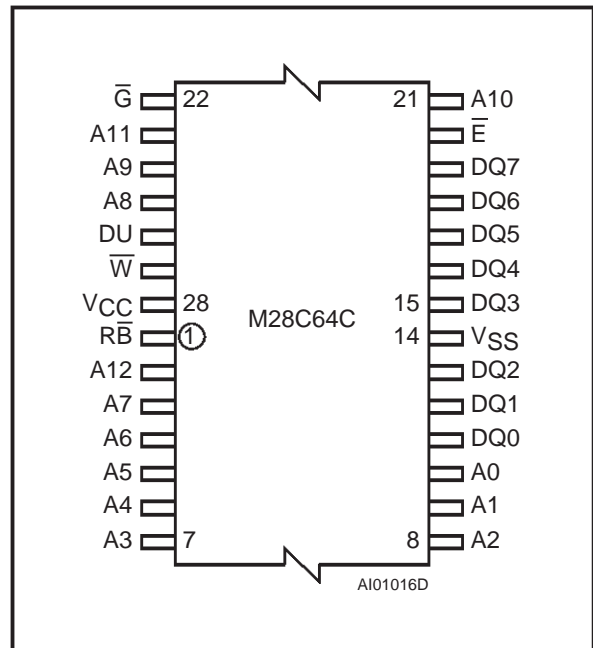
Warning: NC = Not Connected, DU = Don't Use.

Figure 2C. SO Pin Connections



Warning: DU = Don't Use.

Figure 2D. TSOP Pin Connections



Warning: DU = Don't Use.

### PIN DESCRIPTION

**Addresses (A0-A12).** The address inputs select an 8-bit memory location during a read or write operation.

**Chip Enable (E).** The chip enable input must be low to enable all read/write operations. When Chip Enable is high, power consumption is reduced.

**Output Enable (G).** The Output Enable input controls the data output buffers and is used to initiate read operations.

**Table 2. Absolute Maximum Ratings**

Symbol	Parameter	Value	Unit
$T_A$	Ambient Operating Temperature	- 40 to 125	°C
$T_{STG}$	Storage Temperature Range	- 65 to 150	°C
$V_{CC}$	Supply Voltage	- 0.3 to 6.5	V
$V_{IO}$	Input/Output Voltage	- 0.3 to $V_{CC} + 0.6$	V
$V_I$	Input Voltage	- 0.3 to 6.5	V
$V_{ESD}$	Electrostatic Discharge Voltage (Human Body model)	2000	V

**Note:** Except for the rating "Operating Temperature Range", stresses above those listed in the Table "Absolute Maximum Ratings" may cause permanent damage to the device. These are stress ratings only and operation of the device at these or any other conditions above those indicated in the Operating sections of this specification is not implied. Exposure to Absolute Maximum Rating conditions for extended periods may affect device reliability. Refer also to the STMicroelectronics SURE Program and other relevant quality documents.

**Table 3. Operating Modes**

Mode	$\bar{E}$	$\bar{G}$	$\bar{W}$	DQ0 - DQ7
Read	$V_{IL}$	$V_{IL}$	$V_{IH}$	Data Out
Write	$V_{IL}$	$V_{IH}$	$V_{IL}$	Data In
Standby / Write Inhibit	$V_{IH}$	X	X	Hi-Z
Write Inhibit	X	X	$V_{IH}$	Data Out or Hi-Z
Write Inhibit	X	$V_{IL}$	X	Data Out or Hi-Z
Output Disable	X	$V_{IH}$	X	Hi-Z

**Note:** X =  $V_{IH}$  or  $V_{IL}$

**Data In/Out (DQ0 - DQ7).** Data is written to or read from the M28C64C through the I/O pins.

**Write Enable ( $\bar{W}$ ).** The Write Enable input controls the writing of data to the M28C64C.

**Ready/Busy (RB).** Ready/Busy is an open drain output that can be used to detect the end of the internal write cycle.

## OPERATION

In order to prevent data corruption and inadvertent write operations during power-up, a Power On Reset (POR) circuit resets all internal programming circuitry. Access to the memory in write mode is allowed after a power-up as specified in Table 6.

### Read

The M28C64C is accessed like a static RAM. When  $\bar{E}$  and  $\bar{G}$  are low with  $\bar{W}$  high, the data addressed is presented on the I/O pins. The I/O pins are high impedance when either  $\bar{G}$  or  $\bar{E}$  is high.

### Write

Write operations are initiated when both  $\bar{W}$  and  $\bar{E}$  are low and  $\bar{G}$  is high. The M28C64C supports both  $\bar{E}$  and  $\bar{W}$  controlled write cycles. The Address is latched by the falling edge of  $\bar{E}$  or  $\bar{W}$  which ever occurs last and the Data on the rising edge of  $\bar{E}$  or  $\bar{W}$  which ever occurs first. Once initiated the write operation is internally timed until completion.

### Page Write

Page write allows up to 32 bytes to be consecutively latched into the memory prior to initiating a programming cycle. All bytes must be located in a single page address, that is A5 - A12 must be the same for all bytes. The page write can be initiated during any byte write operation.

Following the first byte write instruction the host may send another address and data up to a maximum of 100 $\mu$ s after the rising edge of  $\bar{E}$  or  $\bar{W}$  which ever occurs first ( $t_{BLC}$ ). If a transition of  $\bar{E}$  or  $\bar{W}$  is not detected within 100 $\mu$ s, the internal programming cycle will start.

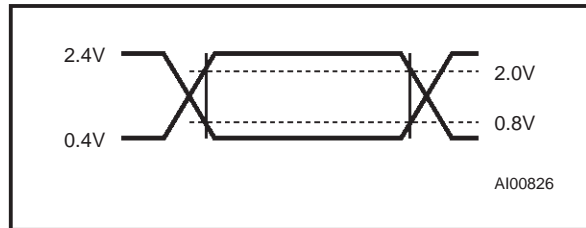


**Table 4. AC Measurement Conditions**

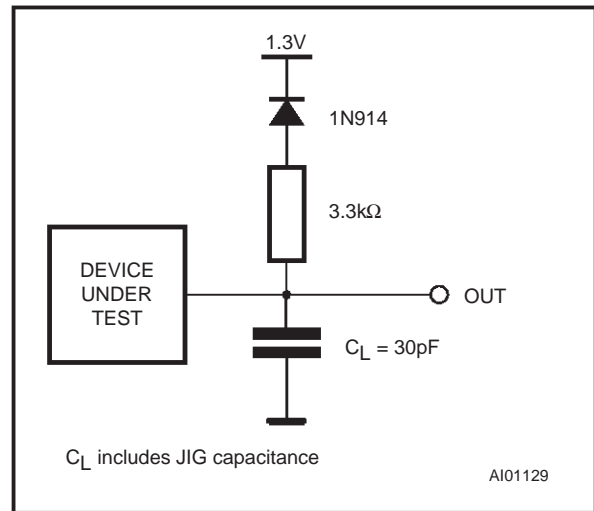
Input Rise and Fall Times	≤ 20ns
Input Pulse Voltages	0.4V to 2.4V
Input and Output Timing Ref. Voltages	0.8V to 2.0V

Note that Output Hi-Z is defined as the point where data is no longer driven.

**Figure 5. AC Testing Input Output Waveforms**



**Figure 6. AC Testing Equivalent Load Circuit**



**Table 5. Capacitance<sup>(1)</sup>** ( $T_A = 25\text{ }^\circ\text{C}$ ,  $f = 1\text{ MHz}$ )

Symbol	Parameter	Test Condition	Min	Max	Unit
$C_{IN}$	Input Capacitance	$V_{IN} = 0V$		6	pF
$C_{OUT}$	Output Capacitance	$V_{OUT} = 0V$		12	pF

**Note:** 1. Sampled only, not 100% tested.

**Table 6. Read Mode DC Characteristics** ( $T_A = 0\text{ to }70\text{ }^\circ\text{C}$  or  $-40\text{ to }85\text{ }^\circ\text{C}$ ,  $V_{CC} = 4.5V\text{ to }5.5V$ )

Symbol	Parameter	Test Condition	Min	Max	Unit
$I_{LI}$	Input Leakage Current	$0V \leq V_{IN} \leq V_{CC}$		10	$\mu A$
$I_{LO}$	Output Leakage Current	$0V \leq V_{IN} \leq V_{CC}$		10	$\mu A$
$I_{CC}^{(1)}$	Supply Current (TTL and CMOS inputs)	$\bar{E} = V_{IL}, \bar{G} = V_{IL}, f = 5\text{ MHz}$		30	mA
$I_{CC1}^{(1)}$	Supply Current (Standby) TTL	$\bar{E} = V_{IH}$		2	mA
$I_{CC2}^{(1)}$	Supply Current (Standby) CMOS	$\bar{E} > V_{CC} - 0.3V$		100	$\mu A$
$V_{IL}$	Input Low Voltage		-0.3	0.8	V
$V_{IH}$	Input High Voltage		2	$V_{CC} + 0.5$	V
$V_{OL}$	Output Low Voltage	$I_{OL} = 2.1\text{ mA}$		0.4	V
$V_{OH}$	Output High Voltage	$I_{OH} = -400\text{ }\mu A$	2.4		V

**Note:** 1. All I/O's open circuit.

**Table 7. Power Up Timing<sup>(1)</sup>** ( $T_A = 0\text{ to }70\text{ }^\circ\text{C}$  or  $-40\text{ to }85\text{ }^\circ\text{C}$ ,  $V_{CC} = 4.5V\text{ to }5.5V$ )

Symbol	Parameter	Min	Max	Unit
$t_{PUR}$	Time Delay to Read Operation	1		$\mu s$
$t_{PUW}$	Time Delay to Write Operation	10		ms

**Note:** 1. Sampled only, not 100% tested.

## M28C64C, M28C64X

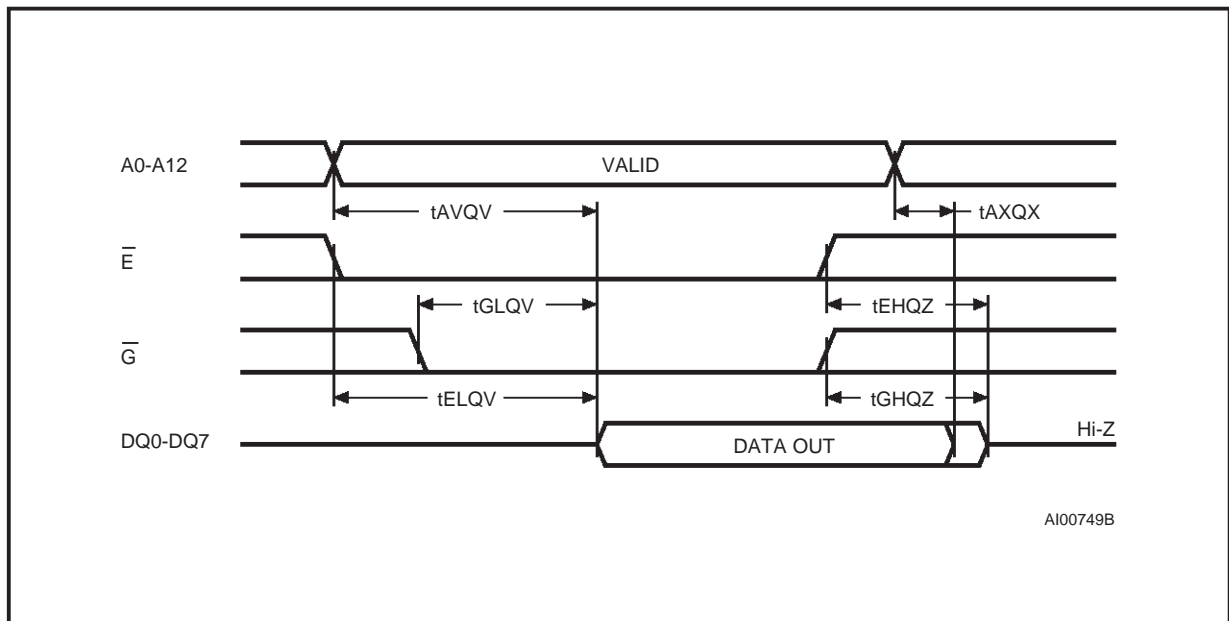
**Table 8. Read Mode AC Characteristics**

( $T_A = 0$  to  $70^\circ\text{C}$  or  $-40$  to  $85^\circ\text{C}$ ,  $V_{CC} = 4.5\text{V}$  to  $5.5\text{V}$ )

Symbol	Alt	Parameter	Test Condition	M28C64C						Unit
				-150		-200		-250		
				min	max	min	max	min	max	
$t_{AVQV}$	$t_{ACC}$	Address Valid to Output Valid	$\bar{E} = V_{IL}, \bar{G} = V_{IL}$		150		200		250	ns
$t_{ELQV}$	$t_{CE}$	Chip Enable, Low to Output Valid	$G = V_{IL}$		150		200		250	ns
$t_{GLQV}$	$t_{OE}$	Output Enable Low to Output Valid	$\bar{E} = V_{IL}$		75		100		110	ns
$t_{EHQZ}^{(1)}$	$t_{DF}$	Chip Enable High to Output Hi-Z	$\bar{G} = V_{IL}$	0	50	0	60	0	65	ns
$t_{GHQZ}^{(1)}$	$t_{DF}$	Output Enable High to Output Hi-Z	$\bar{E} = V_{IL}$	0	50	0	60	0	65	ns
$t_{AXQX}$	$t_{OH}$	Address Transition to Output Transition	$\bar{E} = V_{IL}, \bar{G} = V_{IL}$	0		0		0		ns

Note: 1. Output Hi-Z is defined as the point at which data is no longer driven.

**Figure 7. Read Mode AC Waveforms**



Note: Write Enable ( $\bar{W}$ ) = High

**Table 9. Write Mode AC Characteristics**(T<sub>A</sub> = 0 to 70°C or –40 to 85°C, V<sub>CC</sub> = 4.5V to 5.5V)

Symbol	Alt	Parameter	Test Condition	Min	Max	Unit
t <sub>AVWL</sub>	t <sub>AS</sub>	Address Valid to Write Enable Low	$\overline{E} = V_{IL}, \overline{G} = V_{IH}$	0		ns
t <sub>AVEL</sub>	t <sub>AS</sub>	Address Valid to Chip Enable Low	$\overline{G} = V_{IH}, \overline{W} = V_{IL}$	0		ns
t <sub>ELWL</sub>	t <sub>CES</sub>	Chip Enable Low to Write Enable Low	$\overline{G} = V_{IH}$	0		ns
t <sub>GHWL</sub>	t <sub>OES</sub>	Output Enable High to Write Enable Low	$\overline{E} = V_{IL}$	0		ns
t <sub>GHEL</sub>	t <sub>OES</sub>	Output Enable High to Chip Enable Low	$\overline{W} = V_{IL}$	0		ns
t <sub>WLLEL</sub>	t <sub>WES</sub>	Write Enable Low to Chip Enable Low	$\overline{G} = V_{IH}$	0		ns
t <sub>WLAX</sub>	t <sub>AH</sub>	Write Enable Low to Address Transition		150		ns
t <sub>ELAX</sub>	t <sub>AH</sub>	Chip Enable Low to Address Transition		150		ns
t <sub>WLDV</sub>	t <sub>DV</sub>	Write Enable Low to Input Valid	$\overline{E} = V_{IL}, \overline{G} = V_{IH}$		1	μs
t <sub>ELDV</sub>	t <sub>DV</sub>	Chip Enable Low to Input Valid	$\overline{G} = V_{IH}, \overline{W} = V_{IL}$		1	μs
t <sub>WLWH</sub>	t <sub>WP</sub>	Write Enable Low to Write Enable High		150		ns
t <sub>ELEH</sub>	t <sub>WP</sub>	Chip Enable Low to Chip Enable High		150		ns
t <sub>WHEH</sub>	t <sub>CEH</sub>	Write Enable High to Chip Enable High		0		ns
t <sub>WHGL</sub>	t <sub>OEHL</sub>	Write Enable High to Output Enable Low		10		ns
t <sub>EHGL</sub>	t <sub>OEHL</sub>	Chip Enable High to Output Enable Low		10		ns
t <sub>EHWH</sub>	t <sub>WEH</sub>	Chip Enable High to Write Enable High		0		ns
t <sub>WHDX</sub>	t <sub>DH</sub>	Write Enable High to Input Transition		0		ns
t <sub>EHDX</sub>	t <sub>DH</sub>	Chip Enable High to Input Transition		0		ns
t <sub>WHWL</sub>	t <sub>WPH</sub>	Write Enable High to Write Enable Low		200		ns
t <sub>WHWH</sub>	t <sub>BLC</sub>	Byte Load Repeat Cycle Time		0.35	50	μs
t <sub>WHRH</sub>	t <sub>WC</sub>	Write Cycle Time			5	ms
t <sub>WHRL</sub>	t <sub>DB</sub>	Write Enable High to Ready/Busy Low	Note 1		220	ns
t <sub>EHRL</sub>	t <sub>DB</sub>	Chip Enable High to Ready/Busy Low	Note 1		220	ns
t <sub>DVWH</sub>	t <sub>DS</sub>	Data Valid before Write Enable High		50		ns
t <sub>DVEH</sub>	t <sub>DS</sub>	Data Valid before Chip Enable High		50		ns

**Note:** 1. With a 3.3 kΩ external pull-up resistor.





Figure 10. Page Write Mode AC Waveforms - Write Enable Controlled

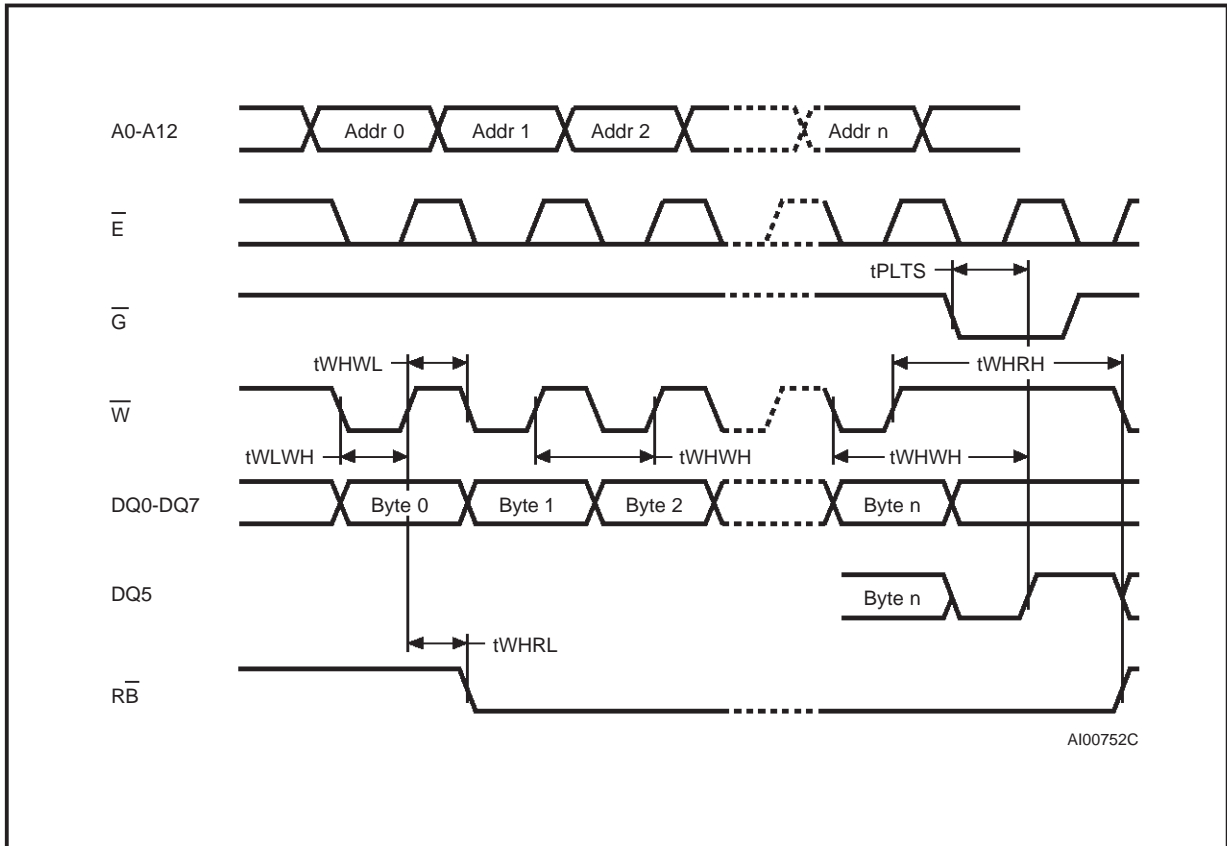


Figure 11. Data Polling Waveform Sequence

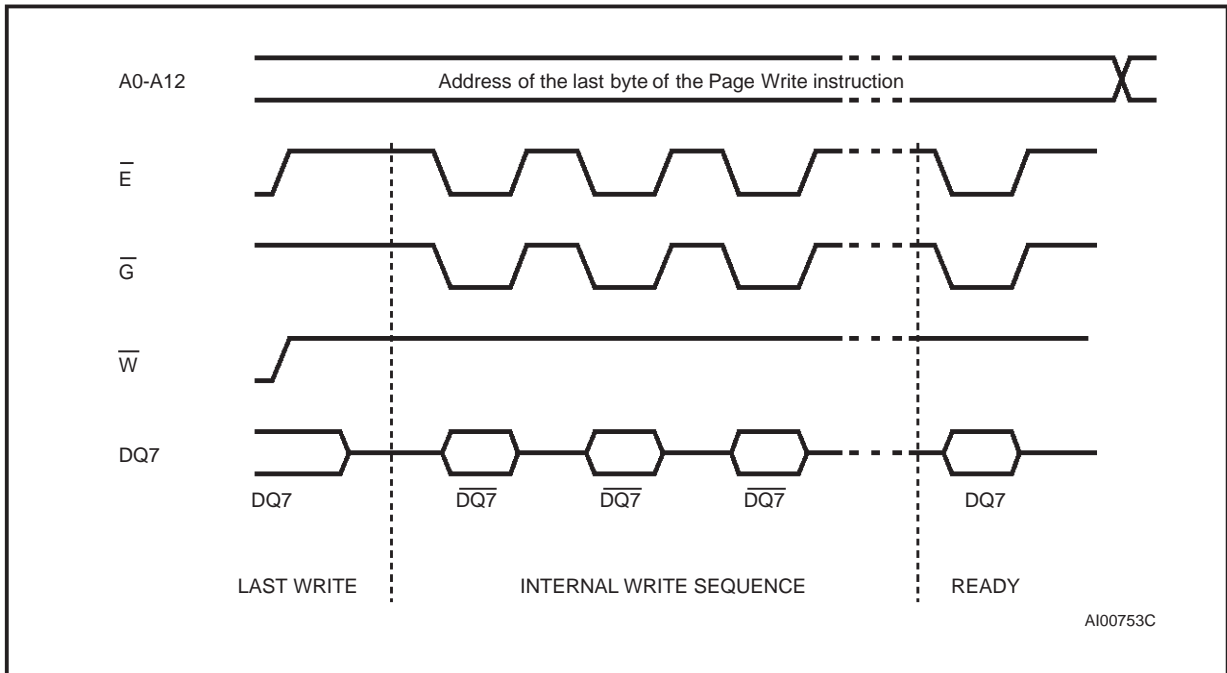
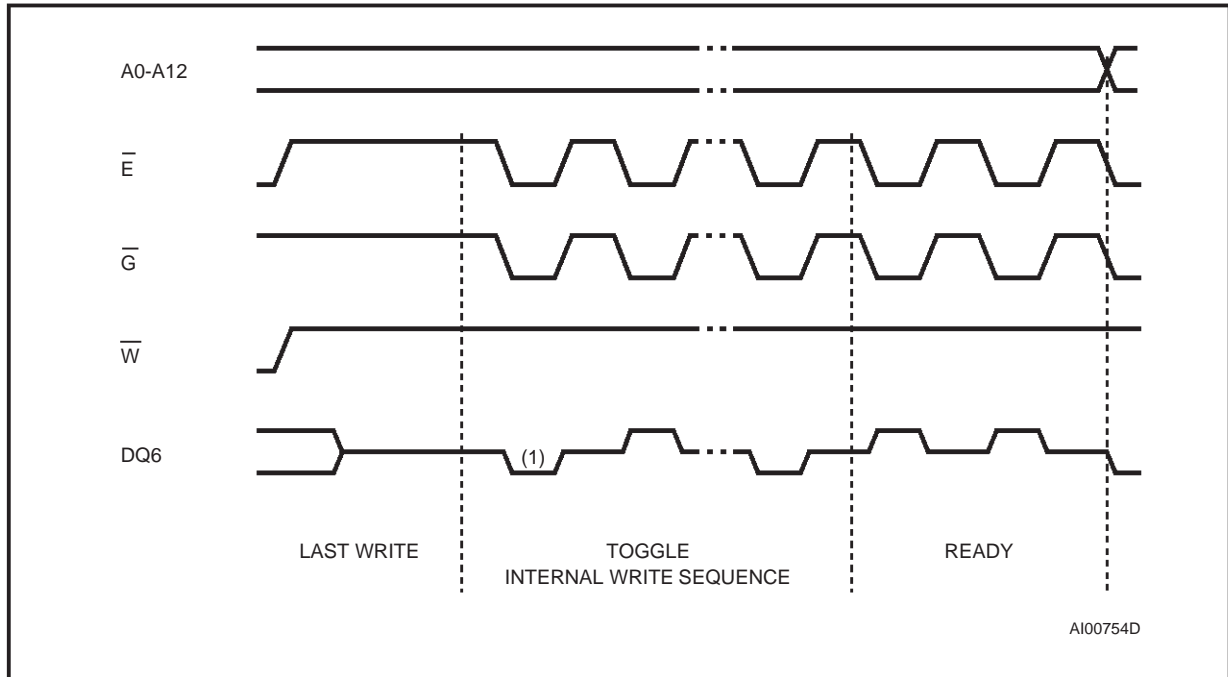
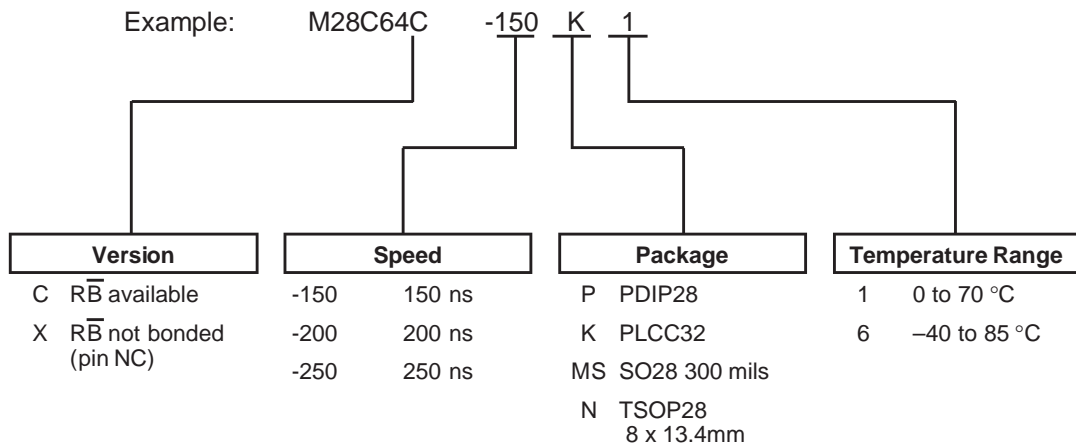


Figure 12. Toggle Bit Waveform Sequence



Note: 1. First Toggle bit is forced to '0'

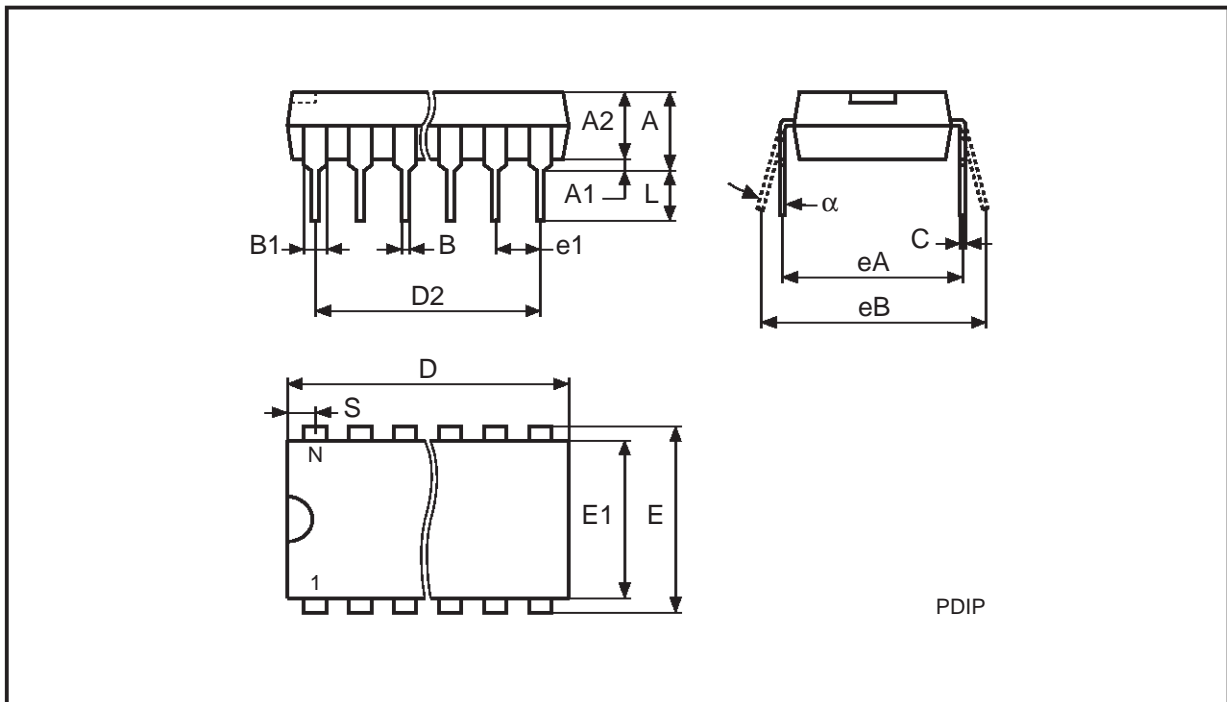
ORDERING INFORMATION SCHEME



For a list of available options (Speed, Package, etc...) or for further information on any aspect of this device, please contact the STMicroelectronics Sales Office nearest to you.

**PDIP28 - 28 pin Plastic DIP, 600 mils width**

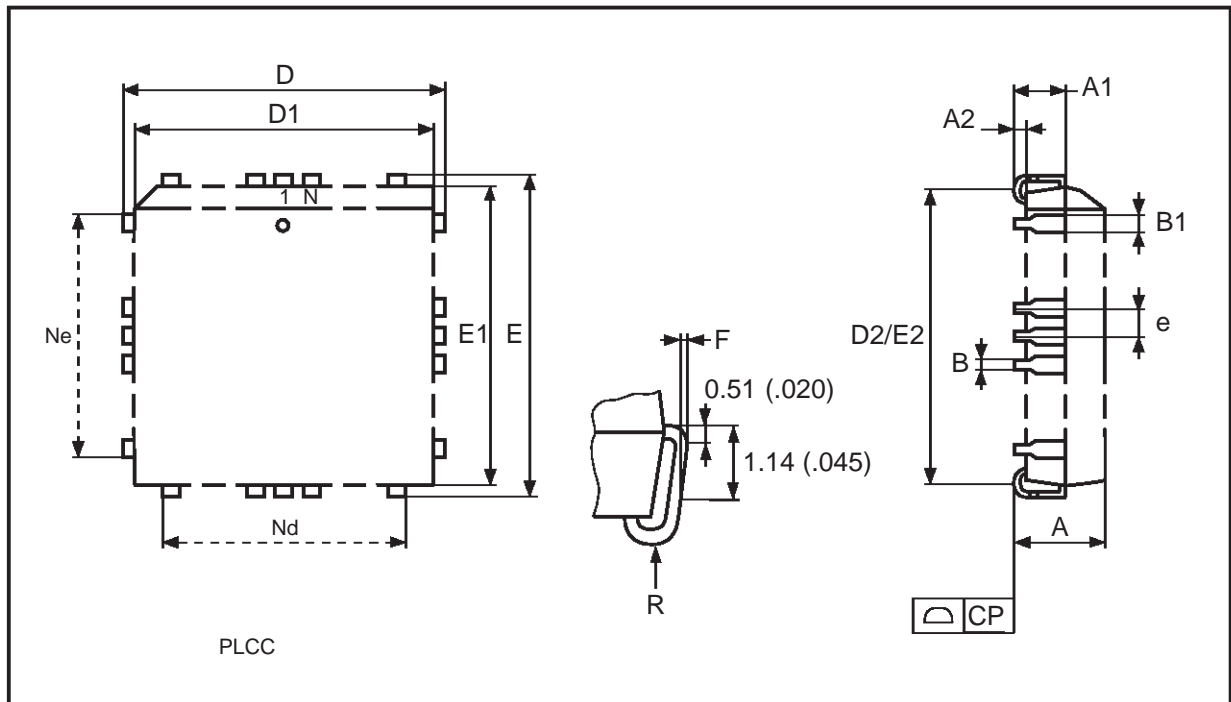
Symb	mm			inches		
	Typ	Min	Max	Typ	Min	Max
A			5.08			0.200
A1		0.38			0.015	
A2		3.56	4.06		0.140	0.160
B		0.38	0.51		0.015	0.020
B1	1.52			0.060		
C		0.20	0.30		0.008	0.012
D		36.83	37.34		1.450	1.470
D2	33.02			1.300		
E	15.24			0.600		
E1		13.59	13.84		0.535	0.545
e1	2.54			0.100		
eA	14.99			0.590		
eB		15.24	17.78		0.600	0.700
L		3.18	3.43		0.125	0.135
S		1.78	2.08		0.070	0.082
$\alpha$		0°	10°		0°	10°
N	28			28		



Drawing is not to scale.

**PLCC32 - 32 lead Plastic Leaded Chip Carrier, rectangular**

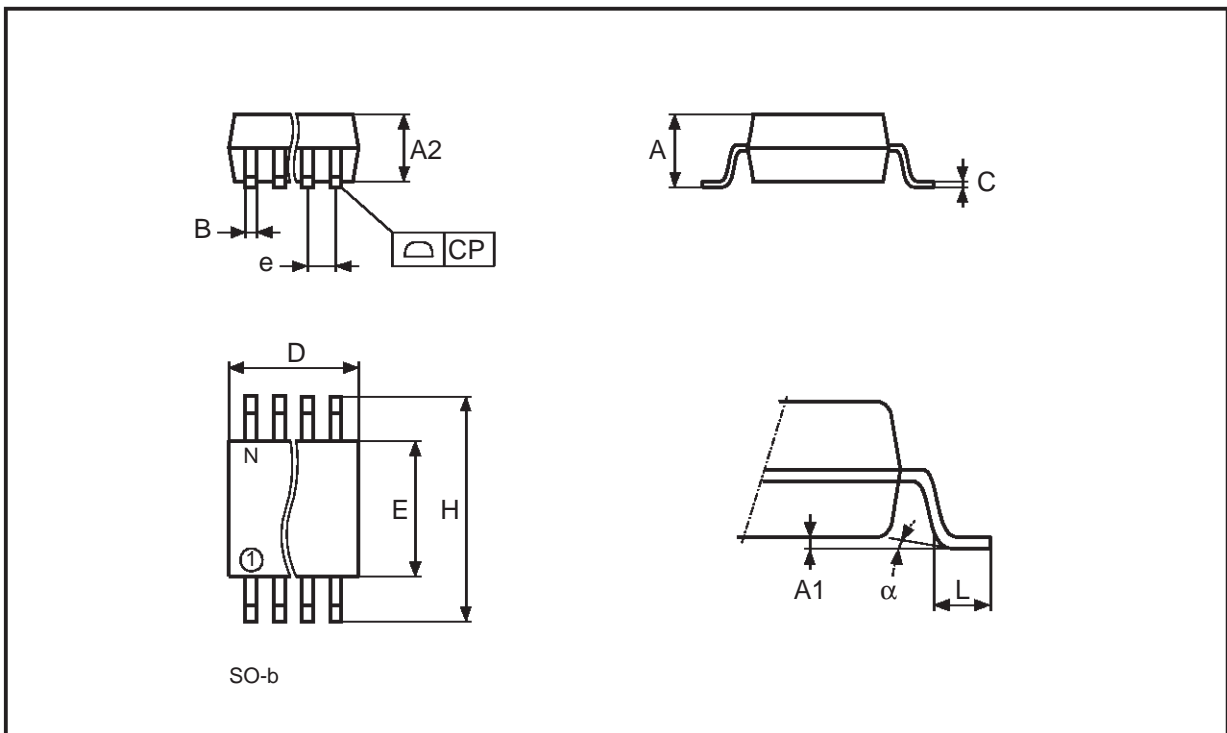
Symb	mm			inches			
	Typ	Min	Max	Typ	Min	Max	
A		2.54	3.56		0.100	0.140	
A1		1.52	2.41		0.060	0.095	
A2		–	0.38		–	0.015	
B		0.33	0.53		0.013	0.021	
B1		0.66	0.81		0.026	0.032	
D		12.32	12.57		0.485	0.495	
D1		11.35	11.56		0.447	0.455	
D2		9.91	10.92		0.390	0.430	
E		14.86	15.11		0.585	0.595	
E1		13.89	14.10		0.547	0.555	
E2		12.45	13.46		0.490	0.530	
e	1.27	–	–	0.050	–	–	
F		0.00	0.25		0.000	0.010	
R	0.89	–	–	0.035	–	–	
N		32			32		
Nd		7			7		
Ne		9			9		
CP			0.10			0.004	



Drawing is not to scale.

**SO28 - 28 lead Plastic Small Outline, 300 mils body width**

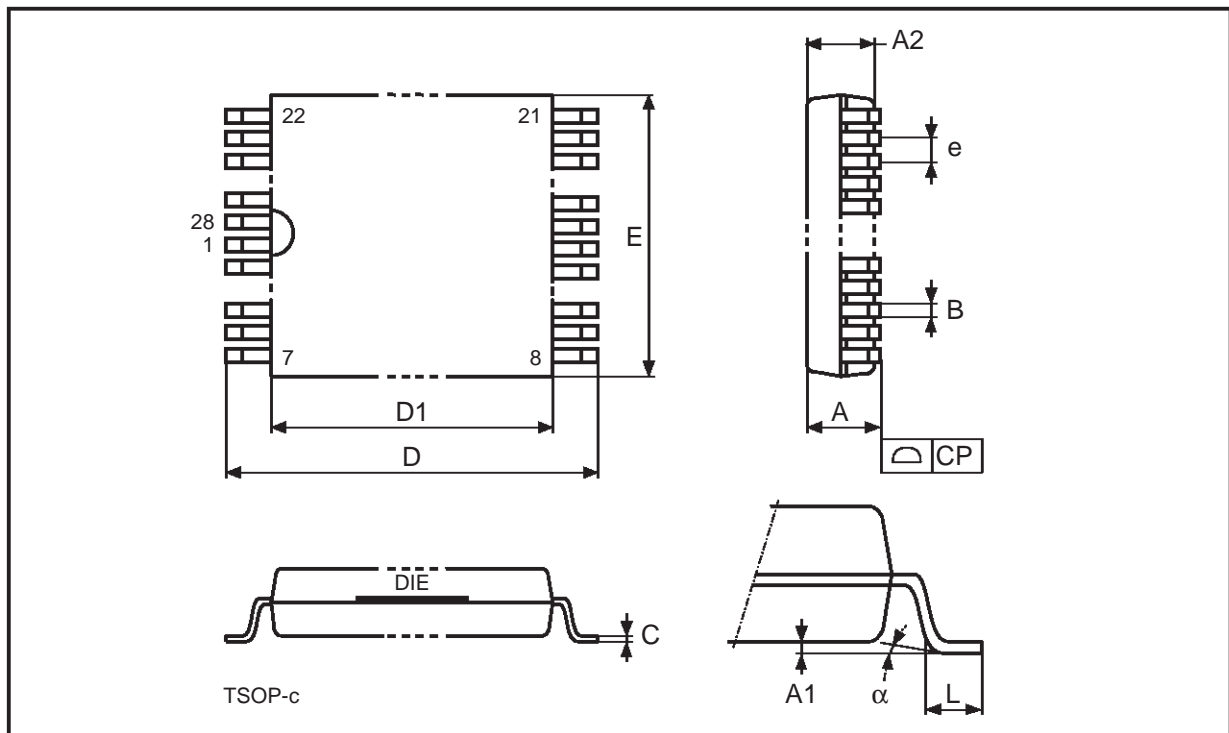
Symb	mm			inches		
	Typ	Min	Max	Typ	Min	Max
A		2.46	2.64		0.097	0.104
A1		0.13	0.29		0.005	0.011
A2		2.29	2.39		0.090	0.094
B		0.35	0.48		0.014	0.019
C		0.23	0.32		0.009	0.013
D		17.81	18.06		0.701	0.711
E		7.42	7.59		0.292	0.299
e	1.27	–	–	0.050	–	–
H		10.16	10.41		0.400	0.410
L		0.61	1.02		0.024	0.040
$\alpha$		0°	8°		0°	8°
N	28			28		
CP			0.10			0.004



Drawing is not to scale.

**TSOP28 - 28 lead Plastic Thin Small Outline, 8 x 13.4mm**

Symb	mm			inches		
	Typ	Min	Max	Typ	Min	Max
A			1.25			0.049
A1			0.20			0.008
A2		0.95	1.15		0.037	0.045
B		0.17	0.27		0.007	0.011
C		0.10	0.21		0.004	0.008
D		13.20	13.60		0.520	0.535
D1		11.70	11.90		0.461	0.469
E		7.90	8.10		0.311	0.319
e	0.55	–	–	0.022	–	–
L		0.50	0.70		0.020	0.028
$\alpha$		0°	5°		0°	5°
N	28			28		
CP			0.10			0.004



Drawing is not to scale.

Information furnished is believed to be accurate and reliable. However, STMicroelectronics assumes no responsibility for the consequences of use of such information nor for any infringement of patents or other rights of third parties which may result from its use. No license is granted by implication or otherwise under any patent or patent rights of STMicroelectronics. Specifications mentioned in this publication are subject to change without notice. This publication supersedes and replaces all information previously supplied. STMicroelectronics products are not authorized for use as critical components in life support devices or systems without express written approval of STMicroelectronics.

The ST logo is a registered trademark of STMicroelectronics

© 1999 STMicroelectronics - All Rights Reserved

All other names are the property of their respective owners

STMicroelectronics GROUP OF COMPANIES

Australia - Brazil - Canada - China - France - Germany - Italy - Japan - Korea - Malaysia - Malta - Mexico - Morocco - The Netherlands - Singapore - Spain - Sweden - Switzerland - Taiwan - Thailand - United Kingdom - U.S.A.

<http://www.st.com>