

■ INTRODUCTION

SN6A060 is a single chip voice/dual tone melody synthesizer IC with 4*32 LCD direct drive capability which contains two 4-bit I/O ports, one 4-bit output ports and a tiny controller. By programming through the tiny controller, user's applications including LCD display, section combination, trigger modes, output status, voice/melody playing and other logic functions and then be easily implemented.

■ FEATURES

- ◆ Single power supply 2.4V – 5.1V
- ◆ Built in a tiny controller
- ◆ Two 4-bit I/O ports and one 4-bit output ports are provided
- ◆ Built in 64K*10 ROM
- ◆ 256*4 bits RAM for programming usage are provided
- ◆ 32*4 bits RAM for LCD display usage are provided
- ◆ Maximum 16k program ROM is provided
- ◆ Readable ROM code data
- ◆ Built in direct 4*32 LCD driver
- ◆ LCD 1/3 bias, 1/4 duty
- ◆ Built in a high quality speech synthesizer
- ◆ Adaptive playing speed from 2.5k-40kHz is provided
- ◆ Built in a dual tone melody generator
- ◆ Speech/Dual tone melody mixer is provided which SN6A060 can play speech and dual tone melody simultaneously
- ◆ Built in a PWM Direct Drive circuit output BUO1 and BUO2 directly connected to Speaker for sound output

■ **PIN ASSIGNMENT**

Symbol	I/O	Function Description
SEG1-SEG32	O	segment 1~32 for LCD driver
COM1-COM4	O	Com1-Com4 for LCD driver.
GND	I	Negative power supply.
VLC1, VLC2, VLC3	I	LCD voltage bias connection pins.
GND	I	Negative power supply.
P23-P20	I/O	Bit 3 to bit 0 of IO port 2.
P33-P30	I/O	Bit 3 to bit 0 of IO port 3.
P43-P40	O	Bit 3 to bit 0 of IO port 4.
BUO1	O	PWM output 1
BUO2	O	PWM output 2
RST	I	Reset pin with internal pull low.
OSC	I	Oscillation component connection pin.
TEST	I	For testing only.
XIN,XOUT		32768 Hz Crystal connection pins.
V _{DD}	I	Positive power supply.

■ **ABSOLUTELY MAXIMUM RATING**

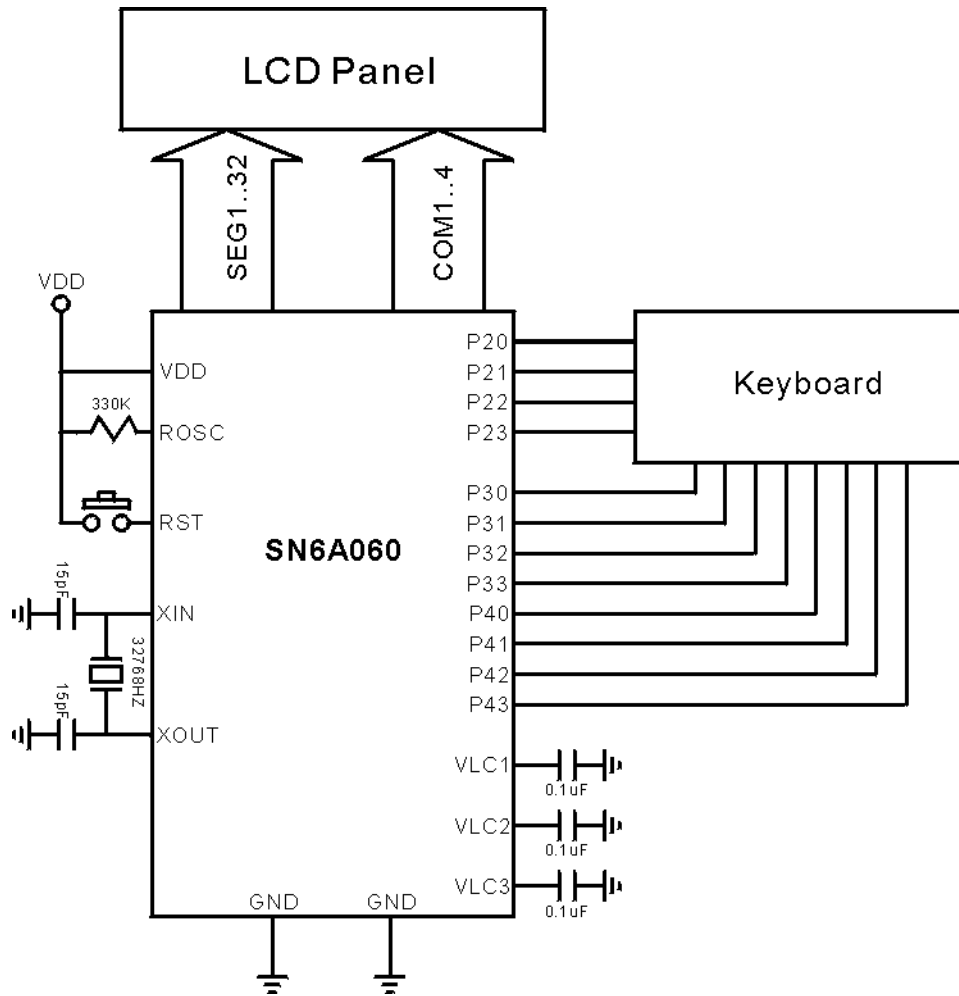
Items	Symbol	Min	Max	Unit.
Supply Voltage	V_{DD-V}	-0.3	6.0	V
Input Voltage	V_{IN}	$V_{SS}-0.3$	$V_{DD}+0.3$	V
Operating Temperature	T_{OP}	-20.0	70.0	°C
Storage Temperature	T_{STG}	-55.0	125.0	°C

■ **ELECTRICAL CHARACTERISTIC**

Item	Sym.	Min.	Typ.	Max.	Unit	Condition
Operating Voltage	V_{DD}	2.4	3.0	5.1	V	
Standby current 1	I_{SBY1}	-	-	1.0	μA	$V_{DD}=3V$, both system clk and 32768 Hz clk are off
Standby current 2	I_{SBY2}	-	2	4	μA	$V_{DD}=3V$, system clk is off, 32768 Hz clk is on and no LCD load
Operating Current	I_{OPR}	-		250	μA	$V_{DD}=3V$, no load
Input current of P2,P3	I_{IH}	-	3.0	10.0	μA	$V_{DD}=3V, V_{IN}=3V$
Drive current of P2,P3,P4	I_{OD}	-1.5	-2	-	mA	$V_{DD}=3V, V_O=2.6V$
Large Sink current of P2,P3,P4	I_{OS1}	2.0	3	-	mA	$V_{DD}=3V, V_O=0.4V$
Small Sink current of P2,P3,P4	I_{OS2}	-	0.4	-	μA	$V_{DD}=3V, V_O=0.4V$
Drive current of Buo1	I_{OD}	100	120	-	mA	$V_{DD}=3V, Buo1=1.5V$
Sink Current of Buo1	I_{OS}	100	120	-	mA	$V_{DD}=3V, Buo1=1.5V$
Drive Current of Buo2	I_{OD}	100	120	-	mA	$V_{DD}=3V, Buo2=1.5V$
Sink Current of Buo2	I_{OS}	100	120	-	mA	$V_{DD}=3V, Buo2=1.5V$
Oscillation Freq.	F_{OSC}	-	2.0	-	MHz	$V_{DD}=3V$

Note: System clock frequency= $F_{osc}/2$.

■ APPLICATION CIRCUIT



DISCLAIMER

The information appearing in SONiX web pages (“this publication”) is believed to be accurate.

However, this publication could contain technical inaccuracies or typographical errors.

The reader should not assume that this publication is error-free or that it will be suitable for any particular purpose. SONiX makes no warranty, express, statutory implied or by description in this publication or other documents which are referenced by or linked to this publication. In no event shall SONiX be liable for any special, incidental, indirect or consequential damages of any kind, or any damages whatsoever, including, without limitation, those resulting from loss of use, data or profits, whether or not advised of the possibility of damage, and on any theory of liability, arising out of or in connection with the use or performance of this publication or other documents which are referenced by or linked to this publication. This publication was developed for products offered in Taiwan. SONiX may not offer the products discussed in this document in other countries. Information is subject to change without notice. Please contact SONiX or its local representative for information on offerings available. Integrated circuits sold by SONiX are covered by the warranty and patent indemnification provisions stipulated in the terms of sale only.

The application circuits illustrated in this document are for reference purposes only. SONIX DISCLAIMS ALL WARRANTIES, INCLUDING THE WARRANTY OF MERCHANTABILITY OR FITNESS FOR ANY PURPOSE. SONIX reserves the right to halt production or alter the specifications and prices, and discontinue marketing the Products listed at any time without notice. Accordingly, the reader is cautioned to verify that the data sheets and other information in this publication are current before placing orders.

Products described herein are intended for use in normal commercial applications. Applications involving unusual environmental or reliability requirements, e.g. military equipment or medical life support equipment, are specifically not recommended without additional processing by SONIX for such application.