

---

---

## Infrared Remote Control Transmitter

**PT2560**

---

---

### Description

PT2560 is an infrared remote control transmitter utilizing CMOS technology housed in a 20-pin DIP or SOP package. A 4 x 8 key matrix and extension bit inputs allow the transmission of up to 256 instructions. The transmission code consists of 16 bits code (8 bits custom code and 8 bits data code) and a leader code. PT2560 is functionally compatible with M50560. However, there is a slight difference in their application circuits. If you are replacing M50560 with PT2560, please take note that PT2560 Pin No. 3 is an NC Pin (No Connection) and therefore, as the pin name implies, this pin must not be connected to any external electrical component (i.e. capacitor as in M50560).

Pin assignments and application circuit of PT2560 are optimized for easy PCB layout and cost saving advantage for remote control applications.

### Features

- CMOS Technology
- Low Power Consumption: 2.0 ~ 4.0 V
- Least External Components
- LED Power Dissipation is less during the transmission of instructions

### Applications

- Audio Equipment
- Television
- Video Cassette Recorder
- Air Conditioner

---

---

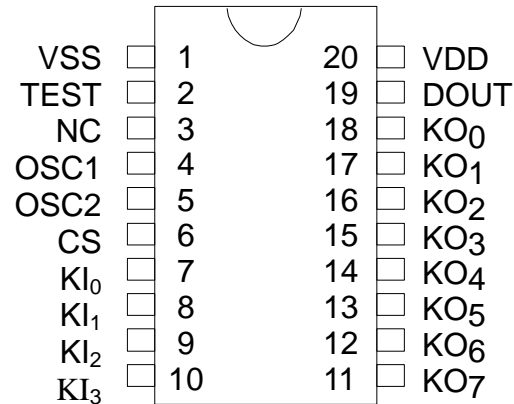
Infrared Remote Control Transmitter

**PT2560**

---

---

**Pin Configuration**

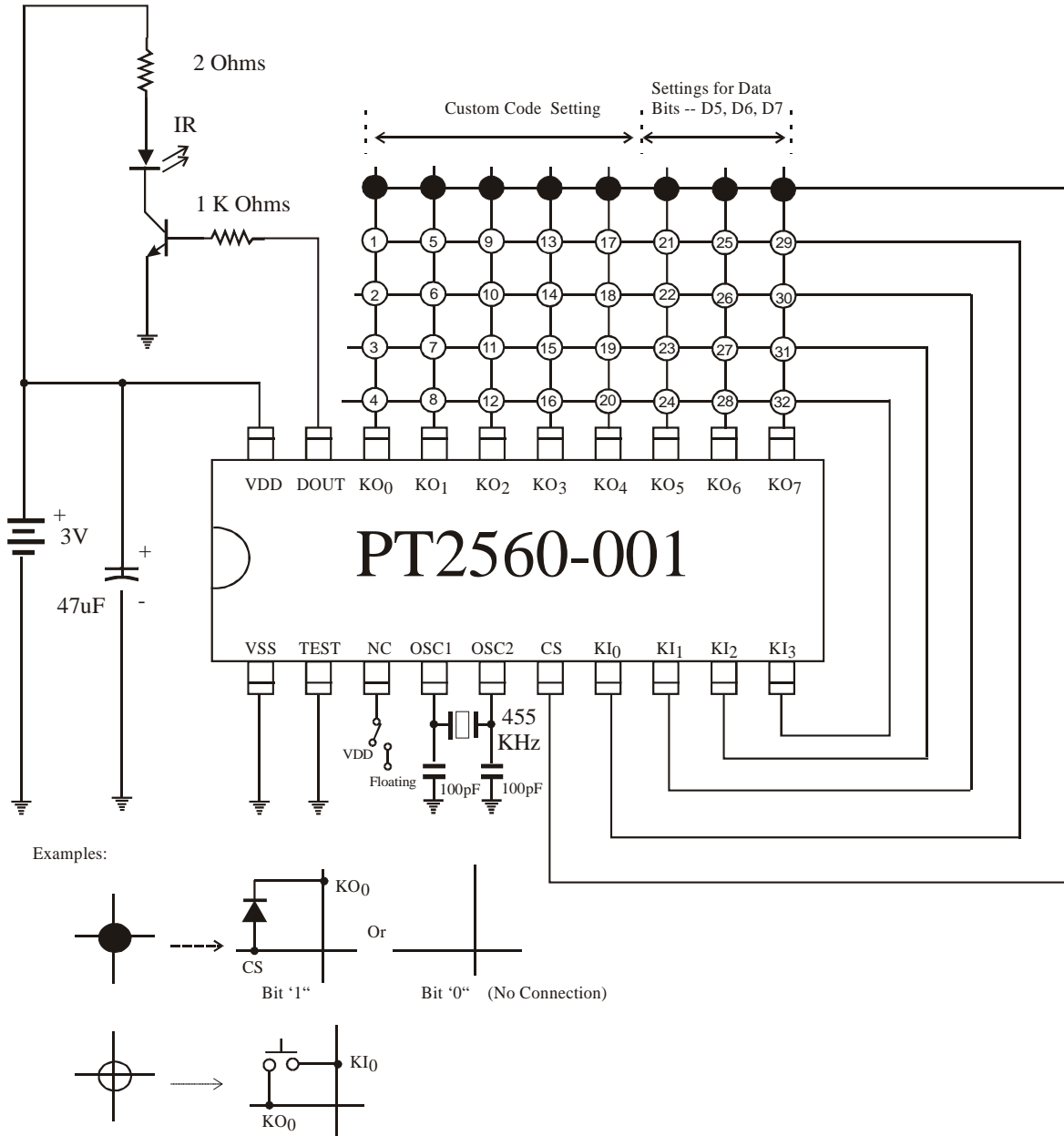


**PT2560**

**Infrared Remote Control Transmitter**

**PT2560**

**Application Circuit 1**

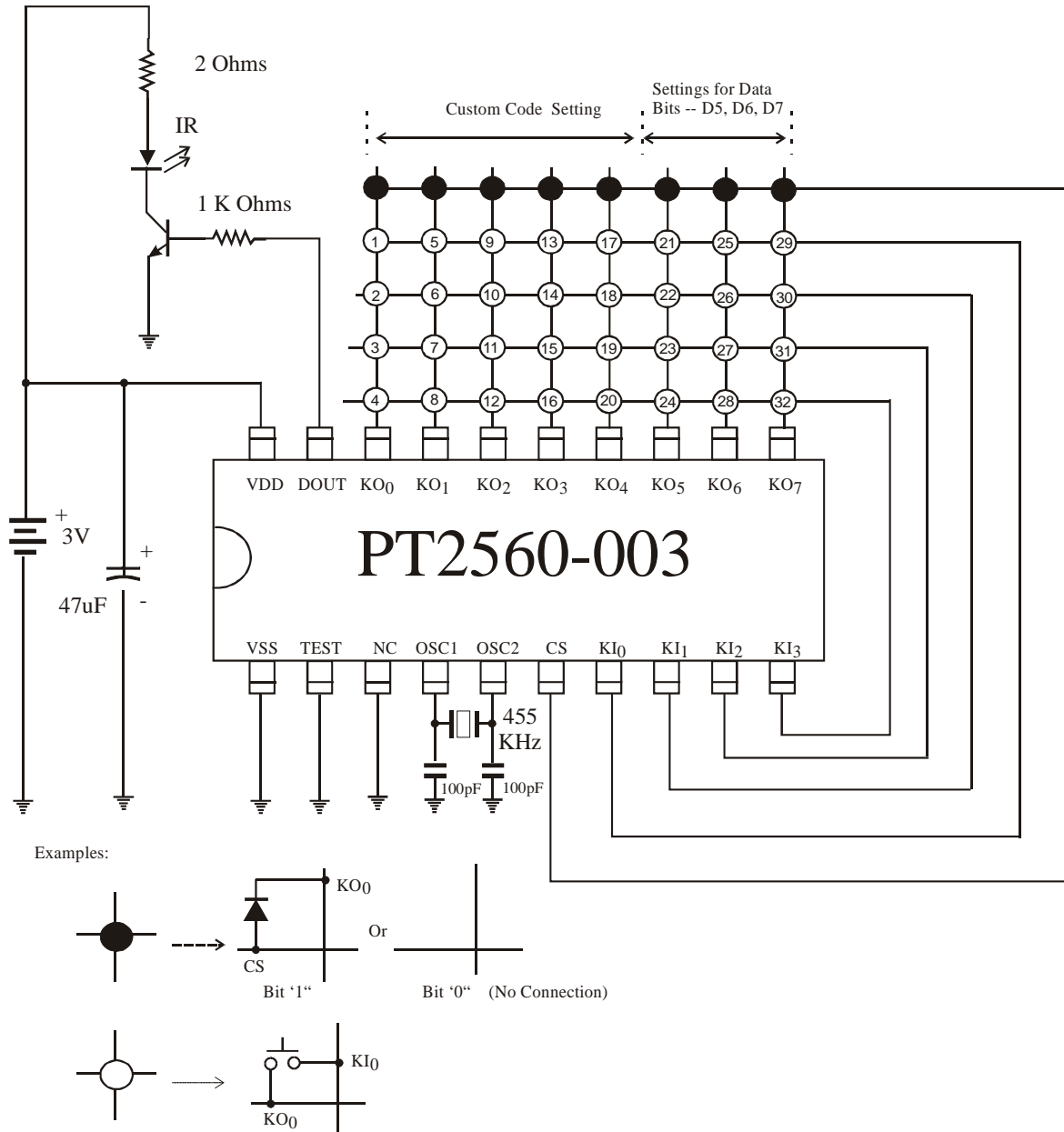


Note: Please take note of the following if you are replacing M50560 with PT2560. PT2560 Pin No. 3 is an NC Pin (No Connection), therefore, you do not need to connect any external electrical component to it.

**Infrared Remote Control Transmitter**

**PT2560**

**Application Circuit 2**



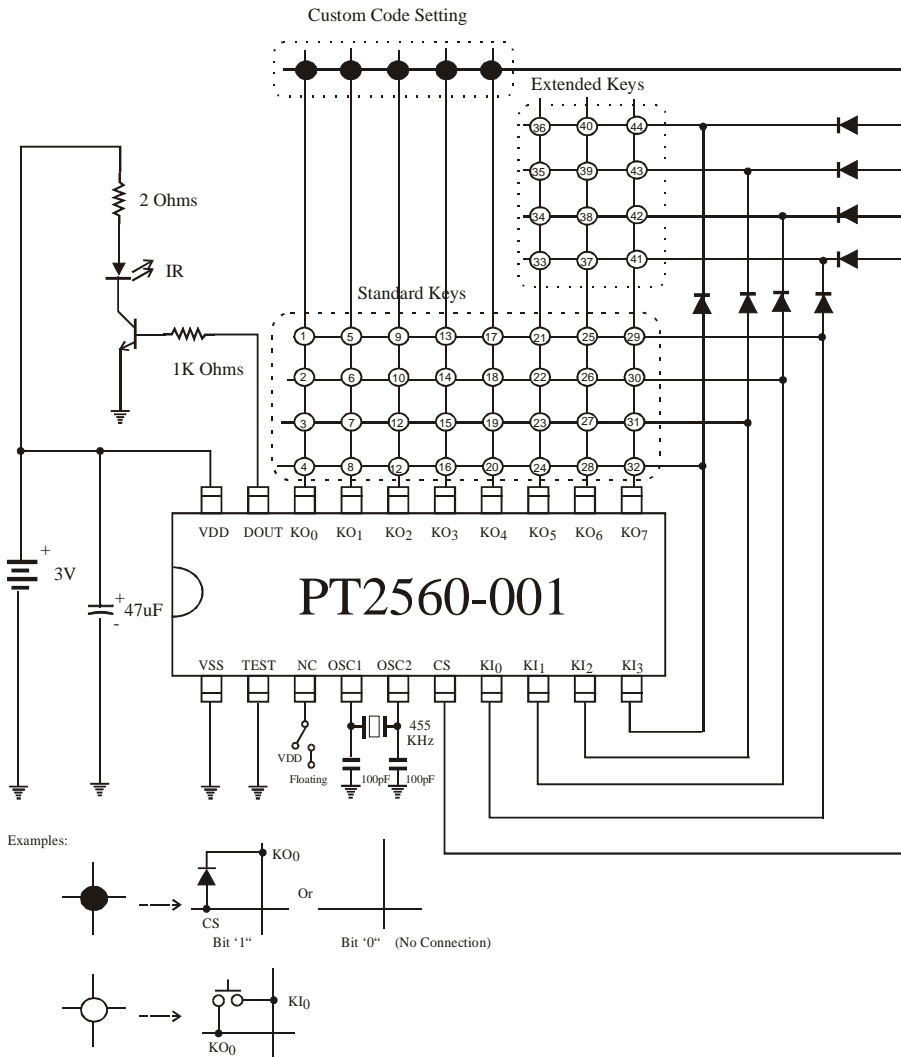
Note: Please take note of the following if you are replacing M50560 with PT2560. PT2560 Pin No. 3 is an NC Pin (No Connection), therefore, you do not need to connect any external electrical component to it.

**Infrared Remote Control Transmitter**

**PT2560**

**Application Circuit 3**

(Extended Codes)



Note: Please take note of the following if you are replacing M50560 with PT2560. PT2560 Pin No. 3 is an NC Pin (No Connection), therefore, you do not need to connect any external electrical component to it.

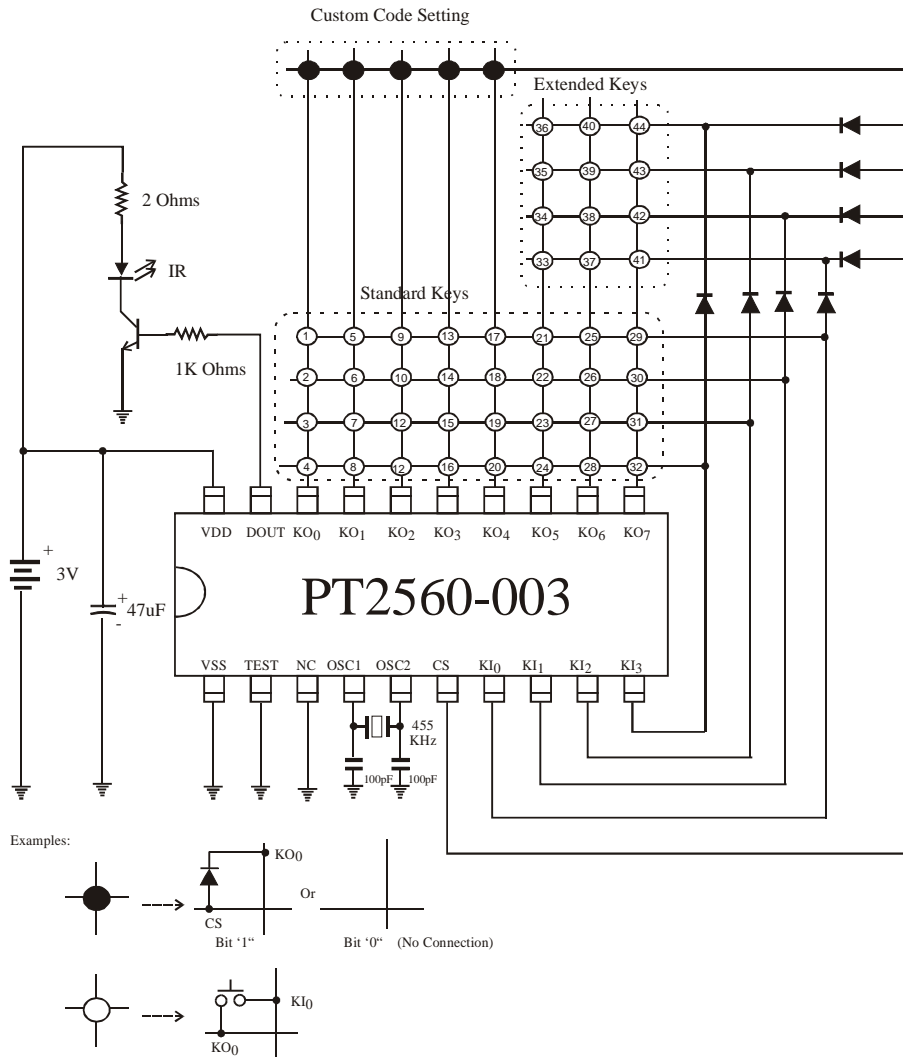
# Infrared Remote Control Transmitter

# PT2560

## Application Circuit 4

(Extended Codes)

Note: Please take note that if you are replacing M50560 with PT2560, you do not need to connect an external capacitor to PT2560's Pin No. 3 (SEL PIN). PT2560 SEL Pin must connected to the Ground.

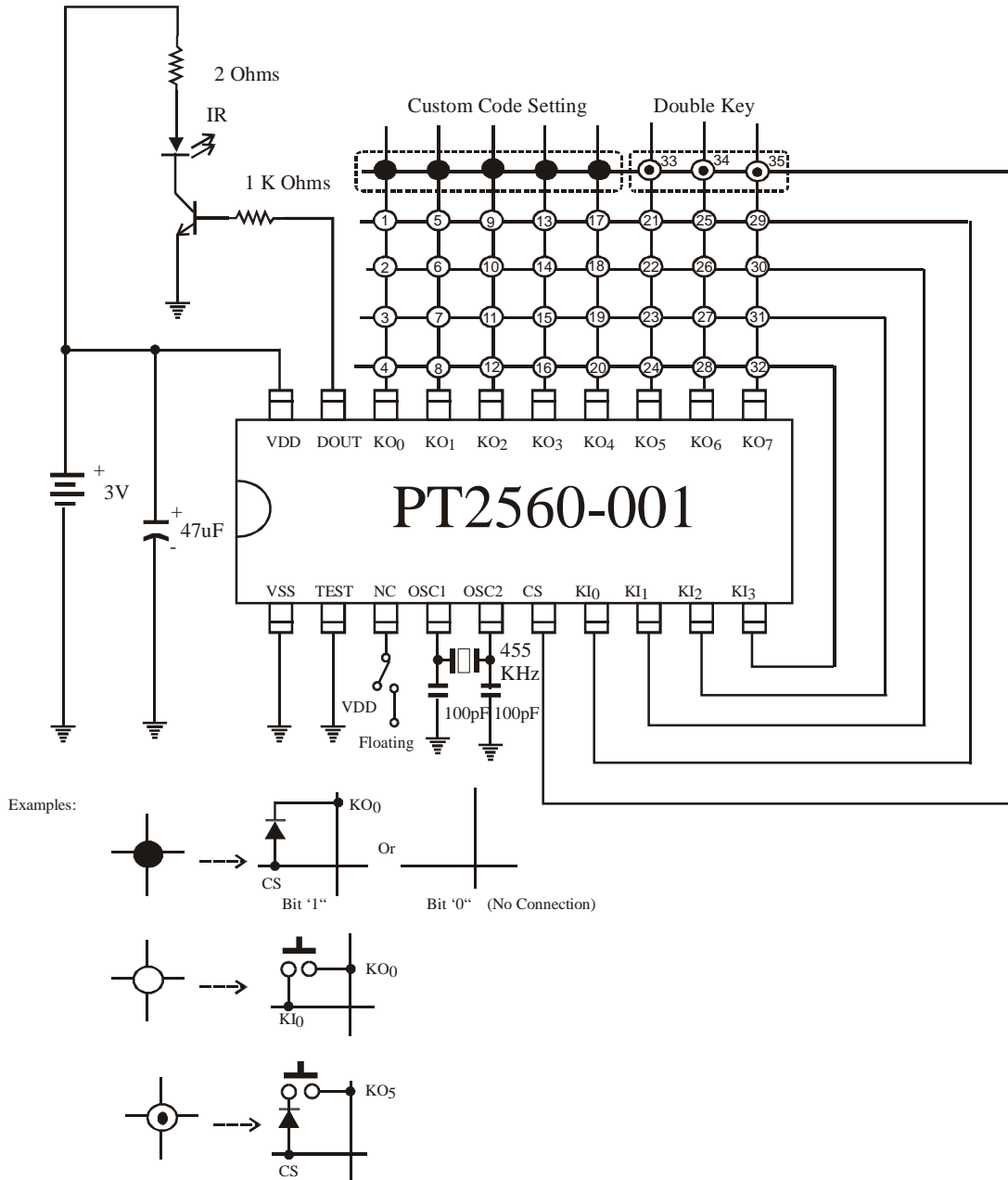


Note: Please take note of the following if you are replacing M50560 with PT2560. PT2560 Pin No. 3 is an NC Pin (No Connection), therefore, you do not need to connect any external electrical component to it.

# Infrared Remote Control Transmitter

# PT2560

## Application Circuit 5 (Double Key Operation)



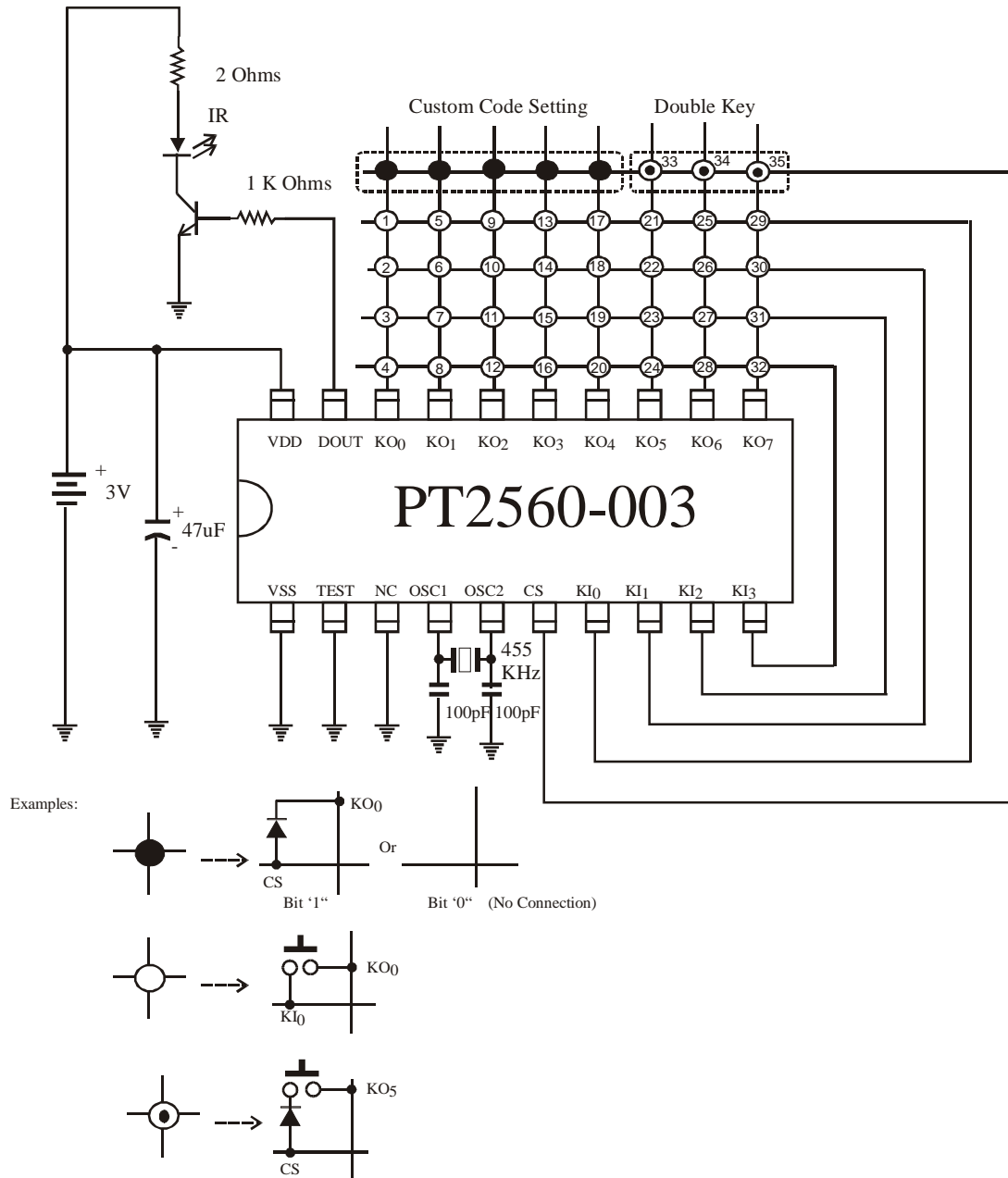
Note: Please take note of the following if you are replacing M50560 with PT2560. PT2560 Pin No. 3 is an NC Pin (No Connection), therefore, you do not need to connect any external electrical component to it.

# Infrared Remote Control Transmitter

# PT2560

## Application Circuit 6

(Double Key Operation)



Note: Please take note of the following if you are replacing M50560 with PT2560. PT2560 Pin No. 3 is an NC Pin (No Connection), therefore, you do not need to connect any external electrical component to it.

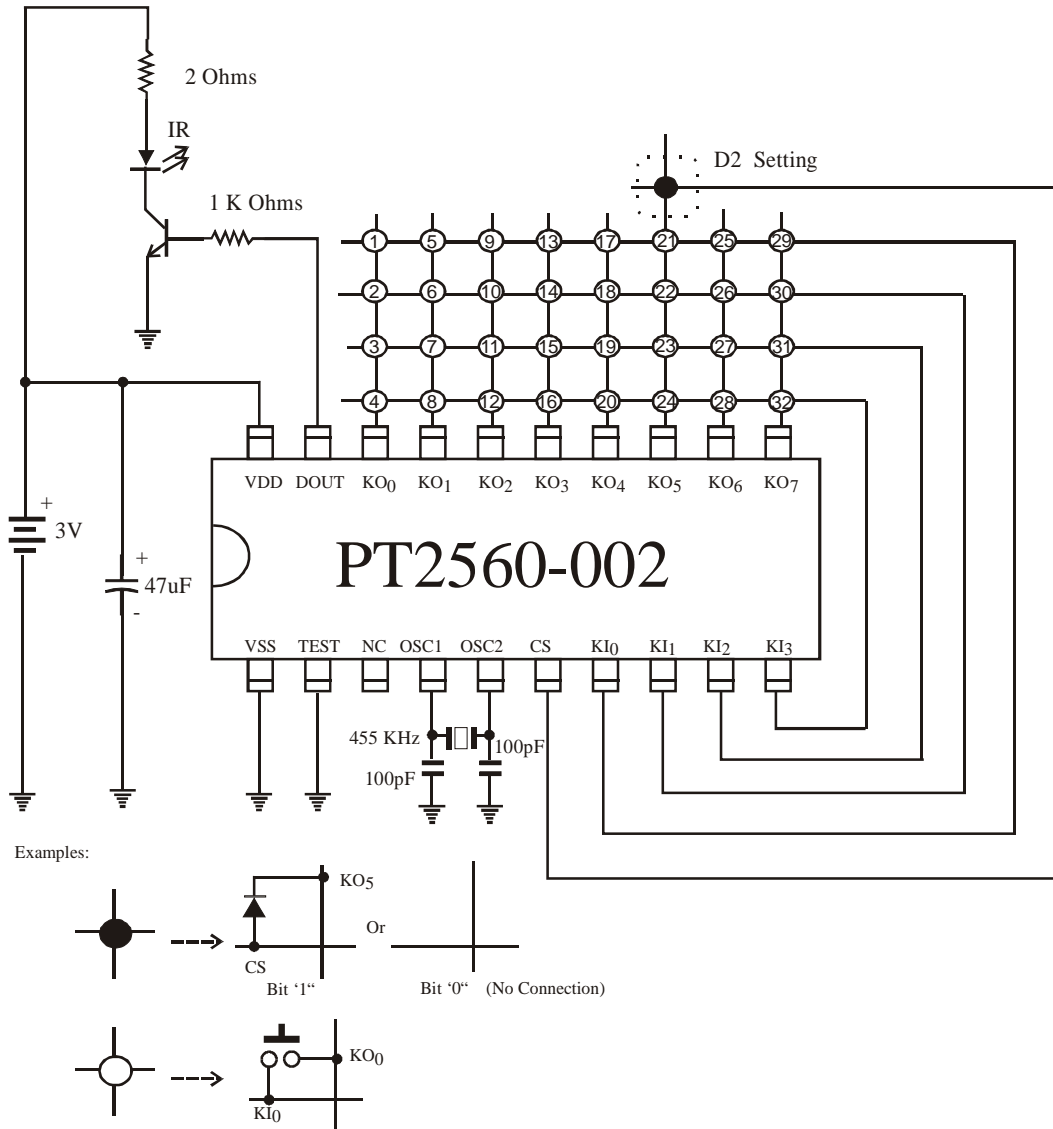


**Infrared Remote Control Transmitter**

**PT2560**

**Application Circuit 7**

(No Leader Code and Custom Code)



Note: D2 is the Extended Code setting. When KO5 is connected to a DIODE, the Data Bit D5 is "1". However, if the KO5 is not connected to a DIODE, then the Data Bit, D5 is "0".

---

---

Infrared Remote Control Transmitter

**PT2560**

---

---

**Order Information**

<b>Valid Part Number</b>	<b>Package</b>
PT2560-001	20 Pins, DIP Package (300 mil)
PT2560S-001	20 Pins, SOP Package (300 mil)
PT2560-002	20 Pins, DIP Package (300 mil)
PT2560S-002	20 Pins, SOP Package (300mil)
PT2560-003	20 Pins, DIP Package (300 mil)
PT2560S-003	20 Pins, SOP Package (300 mil)