

## DP83891 Gig PHYTER™ 10/100/1000M

### General Description

The DP83891 is the first fully integrated, feature rich Physical Layer transceiver with integrated PMD sublayers to support 10BASE-T, 100BASE-TX and 1000BASE-T Ethernet protocols. It operates on existing CAT5 cables which reduces deployment costs.

The DP83891 is designed for easy implementation of 10/100/1000 Mb/s Ethernet LANs. It interfaces directly to Twisted Pair media via an external standard Quad transformer. The DP83891 connects to the MAC layer through the IEEE 802.3u Standard Media Independent Interface (MII) or the IEEE 802.3z Gigabit Media Independent Interface (GMII).

### Applications

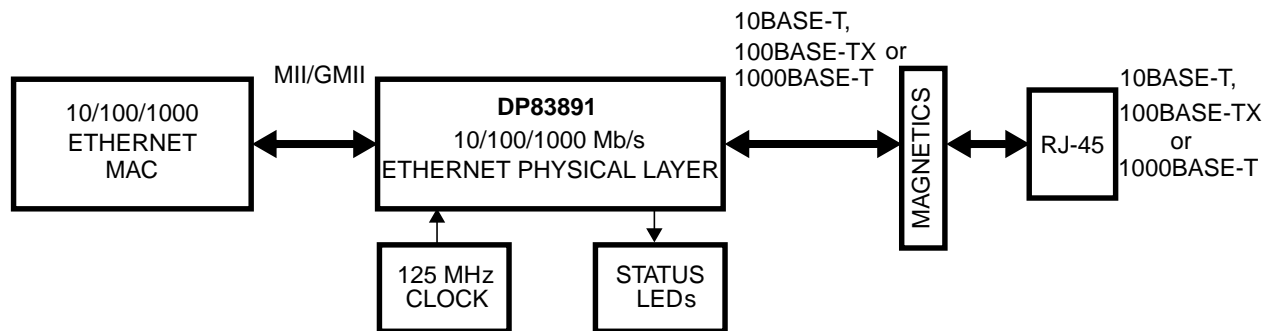
The DP83891 fits applications in:

- 10/100/1000 Mb/s capable node cards
- Switches with 10/100/1000 Mb/s capable ports
- High speed uplink ports (backbone)
- High end workstations

### Features

- Fully integrated 10BASE-T, 100BASE-TX and 1000BASE-T capable
- Single Quad TX-Transformer interface for all speeds
- Fully compliant to IEEE 802.3u 100BASE-TX and IEEE 802.3z/ab 1000BASE-T specifications. Fully integrated and fully compliant ANSI X3.T12 PMD physical sublayer that includes adaptive equalization and Baseline Wander compensation.
- Supports Auto-MDIX
- IEEE 802.3u Auto-Negotiation and Parallel Detection
  - Fully auto-negotiates between 10, 100 and 1000 Mb/s full duplex and half duplex devices
- 3.3 V MAC interfaces:
  - IEEE 802.3u MII
  - IEEE 802.3z GMII
- LED support (Link, Speed, Activity, Duplex, Collision, Auto-Negotiation, TX and RX indications)
- Management Register Set (MDIO and MDC)
- Single 3.3 V power supply
  - 5 V tolerant I/Os
- 208-pin PQFP package

### System Diagram



TRI-STATE® is a registered trademark of National Semiconductor Corporation.

**LIFE SUPPORT POLICY**

NATIONAL'S PRODUCTS ARE NOT AUTHORIZED FOR USE AS CRITICAL COMPONENTS IN LIFE SUPPORT DEVICES OR SYSTEMS WITHOUT THE EXPRESS WRITTEN APPROVAL OF THE PRESIDENT OF NATIONAL SEMICONDUCTOR CORPORATION. As used herein:

1. Life support devices or systems are devices or systems which, (a) are intended for surgical implant into the body, or (b) support or sustain life, and whose failure to perform, when properly used in accordance with instructions for use provided in the labeling, can be reasonably expected to result in a significant injury to the user.
2. A critical component is any component of a life support device or system whose failure to perform can be reasonably expected to cause the failure of the life support device or system, or to affect its safety or effectiveness.



**National Semiconductor Corporation**  
Tel: 1-800-272-9959  
Fax: 1-800-737-7018  
Email: support@nsc.com

**National Semiconductor Europe**  
Fax: (+49) 0-180-530 85 86  
Email: europe.support@nsc.com  
Deutsch Tel: (+49) 0-180-530 85 85  
English Tel: (+49) 0-180-532 78 32

**National Semiconductor Asia Pacific Customer Response Group**  
Tel: 65-254-4466  
Fax: 65-250-4466  
Email: sea.support@nsc.com

**National Semiconductor Japan Ltd.**  
Tel: 81-3-5620-6175  
Fax: 81-3-5620-6179

www.national.com