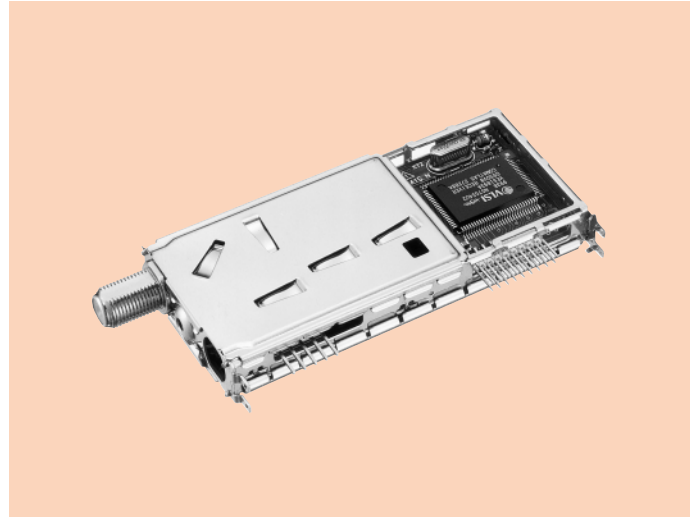


# 2nd RF Units for Digital Satellite Broadcasting Receiver TSU27 Series

DBS 2nd RF Units, CATV Converters

## OUTLINE

The TSU27 series consists of RF units for receiving digital satellite broadcasts, and has built-in QPSK demodulation and FEC circuitry.



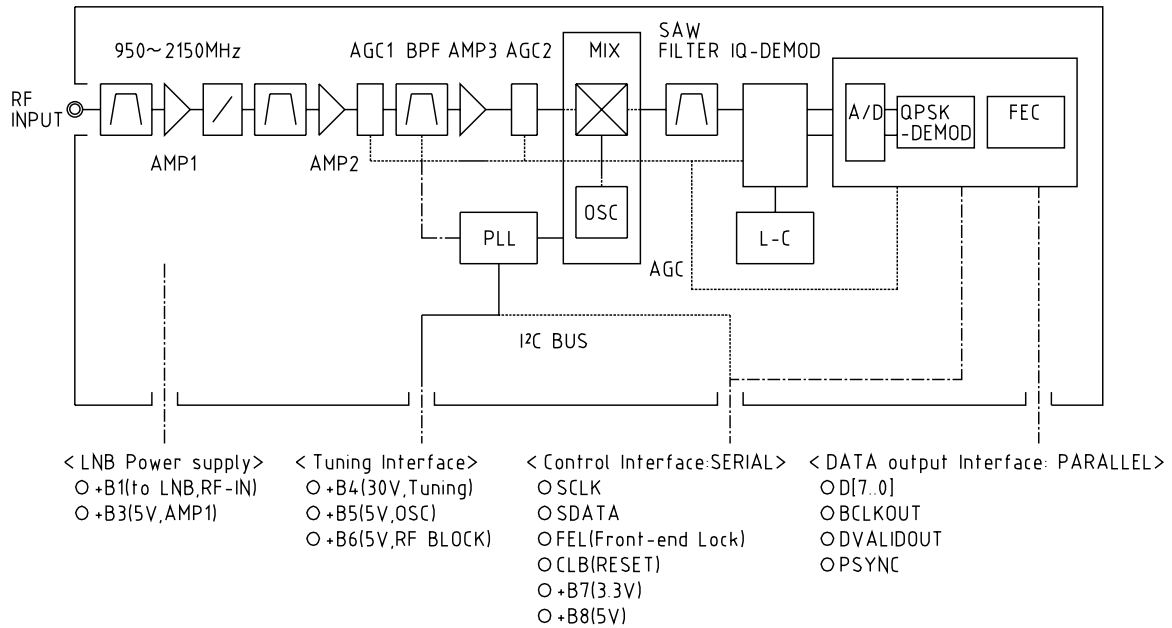
## FEATURES

1. Built-in QPSK demodulation and error correction circuit.
2. Supports DVB.
3. Error rate performance closely approaching logic value.
4. Low height (40mm)
5. Symbol Rate : 4~30MS/S (option)
6. Horizontal type (option)  
    thinness 12.5mm for PC extension slot.

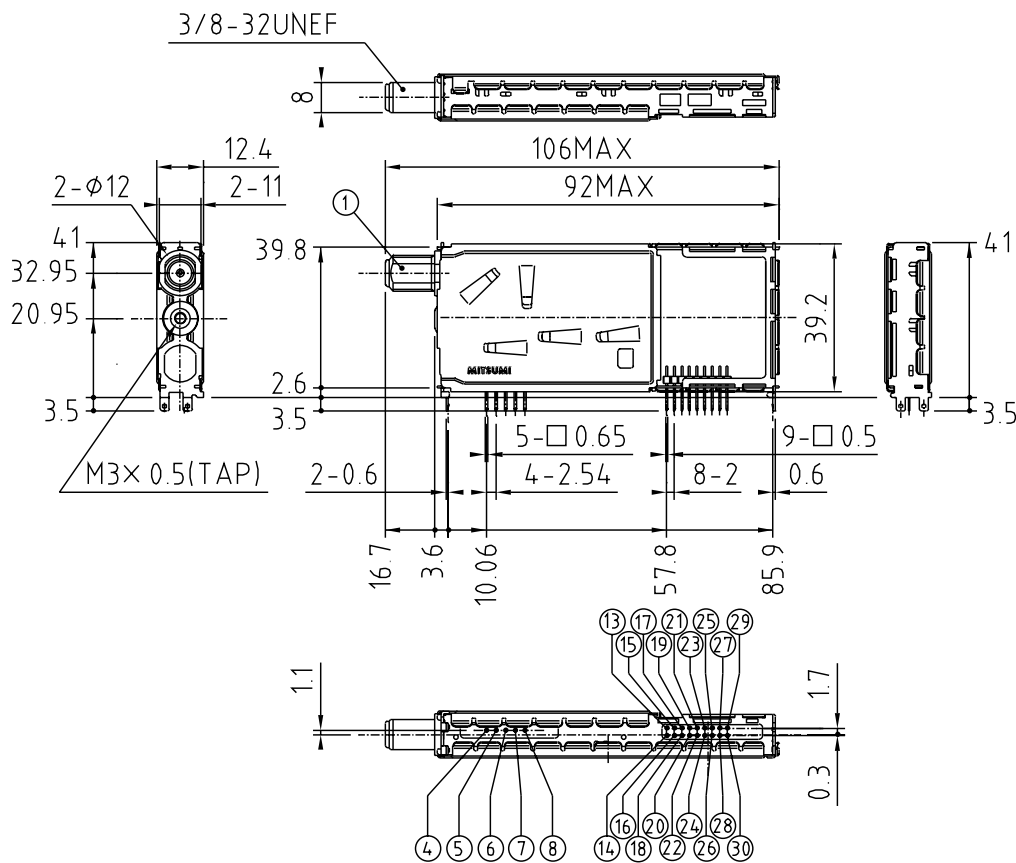
## SPECIFICATIONS

Item	Models	TSU27-E05D	Remarks
Input Frequency		950~2150MHz	
Input Impedance		75Ω	
Input Level		-25~-65dBm	F-female
IF Frequency		479.5MHz	
IF BW		36MHz	
Sybol Rate Range		15~25M sym/s	
Modulation Type		QPSK	
Output Data		8 bit parallel	
FEC Rates		1/2, 2/3, 3/4, 5/6, 7/8	
Controller Bus Interface		I <sup>2</sup> C	

**BLOCK DIAGRAM**



**DIMENSIONS**



Terminals	
1.	RF Input
2.	—
3.	—
4.	+B1 (LNB 15V)
5.	+B3 (5V)
6.	+B4 (VT)
7.	+B5 (5V)
8.	+B6 (5V)
9.	—
10.	—
11.	—
12.	—
13.	SCL
14.	SDA
15.	+B7 (3.3V)
16.	GND
17.	CLB
18.	D7
19.	D6
20.	D5
21.	D4
22.	D3
23.	D2
24.	D1
25.	D0
26.	BCLK
27.	DVALID
28.	PSYNC
29.	FEL
30.	+B8 (5V)
31.	—
32.	—
33.	—
34.	—
35.	—
36.	—

Unit : mm  
 General Tolerance : ±0.5mm