

# M52732SP

## 3-CHANNEL VIDEO AMPLIFICATION

### DESCRIPTION

The M52732SP is a semiconductor integrated circuit that has 3-channels of built-in amplifiers in the broad-band video amplifier having a 75MHz band. Every channel is provided with a broad-band amplifier, contrast control (main and sub), and brightness control. It accordingly has an optimal configuration for use with high resolution color display monitors.

### FEATURES

- It realize low power dissipation so that 3-channels are built in. (Vcc=12V, Icc=63mA)
- Input.....0.7VP-P (typ.)  
Output.....4.5VP-P (max.)  
Frequency band.....75MHz (at 3VP-P)
- To adjust contrast, two types of controls are provided, main and sub.  
The main controls adjusts 3-channels of contrast concurrently.  
The sub contrast controls adjusts either channel independently.

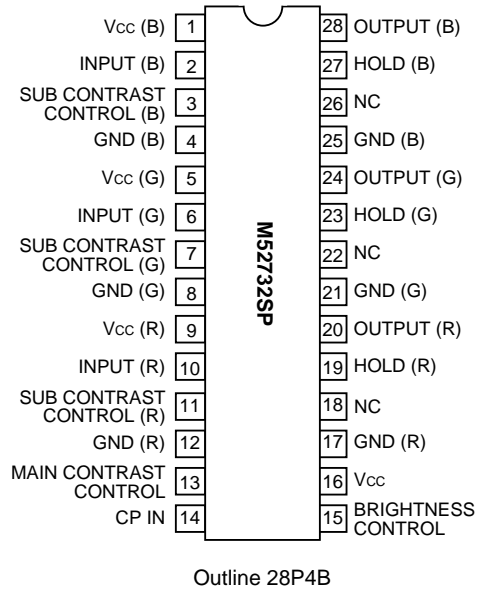
### APPLICATION

Display monitor

### RECOMMENDED OPERATING CONDITION

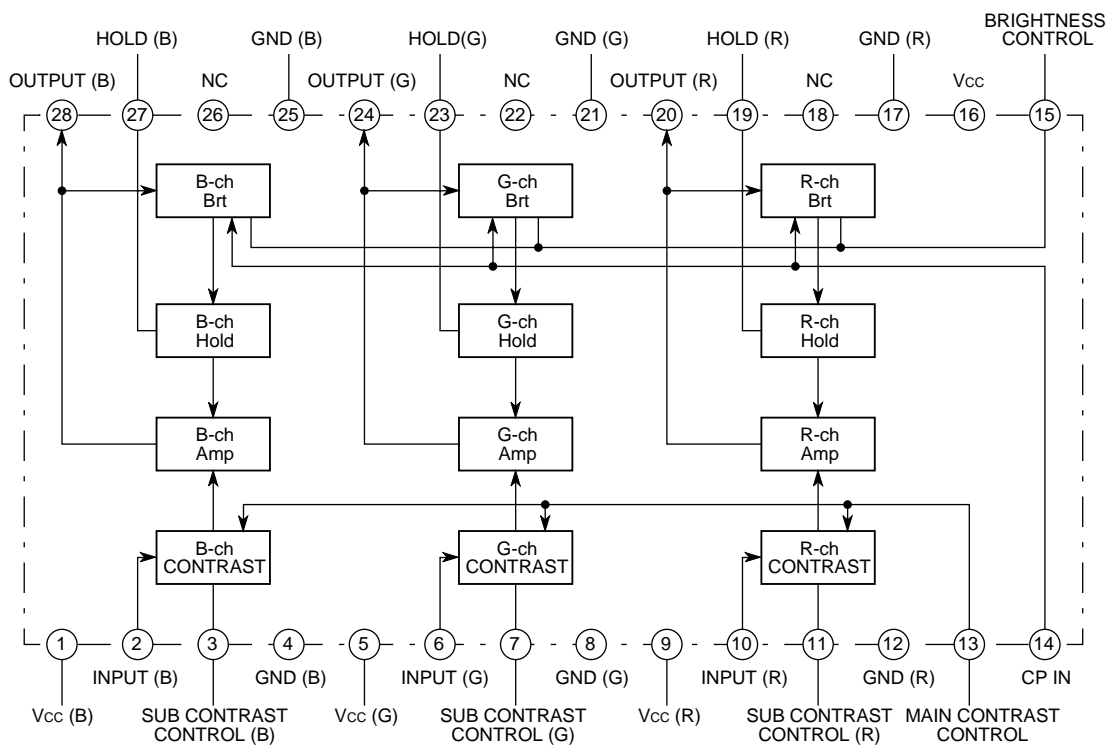
Supply voltage range.....11.5 to 12.5V  
Rated supply voltage.....12.0V

### PIN CONFIGURATION (TOP VIEW)



NC : NO CONNECTION

### BLOCK DIAGRAM



**3-CHANNEL VIDEO AMPLIFICATION**

**ABSOLUTE MAXIMUM RATINGS** (Ta=25°C)

Symbol	Parameter	Ratings	Unit
V <sub>CC</sub>	Supply voltage	13.0	V
P <sub>d</sub>	Power dissipation	1580	mW
T <sub>opr</sub>	Ambient temperature	-20 to +85	°C
T <sub>stg</sub>	Storage temperature	-40 to +150	°C
V <sub>opr</sub>	Recommended supply voltage	12.0	V
V <sub>opr'</sub>	Recommended supply voltage range	11.5 to 12.5	V
Surge	Electrostatic discharge	±200	V

**ELECTRICAL CHARACTERISTICS** (V<sub>CC</sub>=12V, Ta=25°C, unless otherwise noted)

Symbol	Parameter	Test conditions								Limits			Unit	
		Test point (s)	Input			External power supply (V)				Pulse input	Min.	Typ.		Max.
			SW10 R-ch	SW6 G-ch	SW2 B-ch	V3	V13	V15	SW14					
I <sub>CC</sub>	Circuit current	A	a -	a -	a -	12	12	5	b SG6	45	72	110	mA	
V <sub>omax</sub>	Output dynamic range	T.P.20 T.P.24 T.P.28	b SG1	b SG1	b SG1	12	12	Variable	a -	5.8	6.8	9.0	V <sub>P-P</sub>	
V <sub>imax</sub>	Maximum input	T.P.20 T.P.24 T.P.28	b SG1	b SG1	b SG1	12	6	Variable	a -	1.9	2.4	2.9	V <sub>P-P</sub>	
G <sub>v</sub>	Maximum gain	T.P.20 T.P.24 T.P.28	b SG1	b SG1	b SG1	12	12	V <sub>T</sub>	a -	13	17	20	dB	
ΔG <sub>v</sub>	Relative maximum gain		Relative to measured values above							0.8	1	1.2	-	
V <sub>CR1</sub>	Contrast control characteristics (typical)	T.P.20 T.P.24 T.P.28	b SG1	b SG1	b SG1	12	6	V <sub>T</sub>	a -	4.0	7.4	10.1	dB	
ΔV <sub>CR1</sub>	Contrast control relative characteristics (typical)		Relative to measured values above							0.8	1	1.2	-	
V <sub>CR2</sub>	Contrast control characteristics (minimum)	T.P.20 T.P.24 T.P.28	b SG1	b SG1	b SG1	12	3.5	V <sub>T</sub>	a -	5	30	70	mV <sub>P-P</sub>	
ΔV <sub>CR2</sub>	Contrast control relative characteristics (minimum)		Relative to measured values above							0.8	1	1.3	-	
V <sub>SCR1</sub>	Sub contrast control characteristics (typical)	T.P.20 T.P.24 T.P.28	b SG1	b SG1	b SG1	6	12	V <sub>T</sub>	a -	9.9	14	18.1	dB	
ΔV <sub>SCR1</sub>	Sub contrast control relative characteristics (typical)		Relative to measured values above							0.8	1	1.2	-	
V <sub>SCR2</sub>	Sub contrast control characteristics (minimum)	T.P.20 T.P.24 T.P.28	b SG1	b SG1	b SG1	3	12	V <sub>T</sub>	a -	50	300	600	mV <sub>P-P</sub>	
ΔV <sub>SCR2</sub>	Sub contrast control relative characteristics (minimum)		Relative to measured values above							0.8	1	1.2	-	
V <sub>CR2</sub>	Contrast/sub contrast control characteristics (typical)	T.P.20 T.P.24 T.P.28	b SG1	b SG1	b SG1	6	6	V <sub>T</sub>	a -	0.9	1.3	1.7	V <sub>P-P</sub>	
ΔV <sub>CR2</sub>	Contrast/sub contrast control relative characteristics (typical)		Relative to measured values above							0.8	1	1.2	-	
V <sub>B1</sub>	Brightness control characteristics (maximum)	T.P.20 T.P.24 T.P.28	a -	a -	a -	12	12	5.5	b SG6	3.6	4.3	5.0	V	
ΔV <sub>B1</sub>	Brightness control relative characteristics (maximum)		Relative to measured values above							-100	0	100	mV	

## 3-CHANNEL VIDEO AMPLIFICATION

## ELECTRICAL CHARACTERISTICS (cont.)

Symbol	Parameter	Test point (s)	Test conditions							Limits			Unit
			Input			External power supply (V)			Pulse input	Min.	Typ.	Max.	
			SW10 R-ch	SW6 G-ch	SW2 B-ch	V3	V13	V15	SW14				
V <sub>B2</sub>	Brightness control characteristics (typical)	T.P.20 T.P.24 T.P.28	a -	a -	a -	12	12	5	b SG6	3.0	3.7	4.4	V
ΔV <sub>B2</sub>	Brightness control relative characteristics (typical)		Relative to measured values above							-100	0	100	mV
V <sub>B3</sub>	Brightness control characteristics (minimum)	T.P.20 T.P.24 T.P.28	a -	a -	a -	12	12	4.5	b SG6	2.5	3.2	4.0	V <sub>bc</sub>
ΔV <sub>B3</sub>	Brightness control relative characteristics (minimum)		Relative to measured values above							-100	0	100	mV
FC <sub>1</sub>	Frequency characteristics 1 (f=50MHz; maximum)	T.P.20 T.P.24 T.P.28	b SG3	b SG3	b SG3	12	7.5	V <sub>T</sub>	a -	-2	0	3	dB
ΔFC <sub>1</sub>	Frequency relative characteristics 1 (f=50MHz; maximum)		Relative to measured values above							-1	0	1	dB
FC <sub>1'</sub>	Frequency characteristics 1 (f=75MHz; maximum)	T.P.20 T.P.24 T.P.28	b SG4	b SG4	b SG4	12	7.5	V <sub>T</sub>	a -	-3	0	3	dB
ΔFC <sub>1'</sub>	Frequency relative characteristics 1 (f=75MHz; maximum)		Relative to measured values above							-1	0	1	dB
FC <sub>2</sub>	Frequency characteristics 2 (f=50MHz; maximum)	T.P.20 T.P.24 T.P.28	b SG3	b SG3	b SG3	12	5	V <sub>T</sub>	a -	-0.5	0	3	dB
ΔFC <sub>2'</sub>	Frequency relative characteristics 2 (f=75MHz; maximum)	T.P.20 T.P.24 T.P.28	b SG4	b SG4	b SG4	12	5	V <sub>T</sub>	a -	-0.5	0	3	dB
C.T.1	Crosstalk 1 (f=50MHz)	T.P.20 T.P.24 T.P.28	b SG3	a -	a -	12	12	V <sub>T</sub>	a -	-	-36	-24	dB
C.T.1'	Crosstalk 1 (f=75MHz)	T.P.20 T.P.24 T.P.28	b SG4	a -	a -	12	12	V <sub>T</sub>	a -	-	-28	-18	dB
C.T.2	Crosstalk 2 (f=50MHz)	T.P.20 T.P.24 T.P.28	a -	b SG3	a -	12	12	V <sub>T</sub>	a -	-	-36	-24	dB
C.T.2'	Crosstalk 2 (f=75MHz)	T.P.20 T.P.24 T.P.28	a -	b SG4	a -	12	12	V <sub>T</sub>	a -	-	-28	-18	dB
C.T.3	Crosstalk 3 (f=50MHz)	T.P.20 T.P.24 T.P.28	a -	a -	b SG3	12	12	V <sub>T</sub>	a -	-	-36	-24	dB
C.T.3'	Crosstalk 3 (f=75MHz)	T.P.20 T.P.24 T.P.28	a -	a -	b SG4	12	12	V <sub>T</sub>	a -	-	-28	-18	dB
Tr	Pulse characteristics 1	T.P.20 T.P.24 T.P.28	b SG5	b SG5	b SG5	12	7	3	b SG6	-	3	7	nsec
Tf	Pulse characteristics 2	T.P.20 T.P.24 T.P.28	b SG5	b SG5	b SG5	12	7	3	b SG6	-	6	9	nsec
V <sub>14th</sub>	Clamp pulse threshold voltage	T.P.20 T.P.24 T.P.28	a -	a -	a -	12	12	3	b SG6	0.7	1.5	2.5	V <sub>bc</sub>
W <sub>14</sub>	Clamp pulse minimum width	T.P.20 T.P.24 T.P.28	a -	a -	a -	12	12	3	b SG6	-	0.3	1.5	μsec
V <sub>27</sub>	Hold voltage	T.P.20 T.P.24 T.P.28	a -	a -	a -	12	12	3	b SG6	4	5.2	6.4	V <sub>bc</sub>

**ELECTRICAL CHARACTERISTICS TEST METHOD**

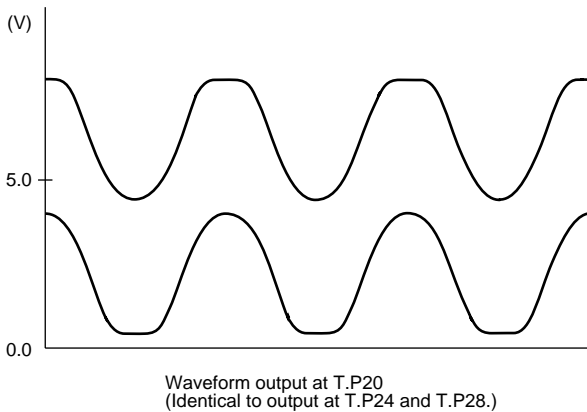
1. About switch numbers (SW Nos.) since those for the signal and pulse input pins are listed in Attached Table 1, the following notes omit them. Only SW Nos. for the external power supply will be indicated in the Notes.
2. since sub contrast voltges V3, V7, and V11, they are also set to the same value, so that V3 in attached Table 1 represents all.

**Icc Circuit current**

Conditions shall be as indicated in Attached Table 1. Measure these conditions using ampere meter A with SW1 set to a.

**Vomax Output dynamic range**

1. Follow the procedure below to set V15.  
Input SG1 to pin 10 (pin 6, 2) and raise V15 slowly. Read the voltage of V15 when the higher peak of output waveform of T.P20 (T.P24, 28) begins distortion. This voltage is VTR1 (VTG1, VTB1)  
Next, reduce V15 slowly. Read the voltage of V15 when the lower peak of output waveform of T.P20 (T.P24, 28) begins distortion. This voltage is VTR2 (VTG2, VTB2).



From the above result, VT (VTR, VTG, VTB) is determined as follows:

$$V_{TR} (V_{TG}, V_{TB}) = \frac{V_{TR1} (V_{TG1}, V_{TB1}) + V_{TR2} (V_{TG2}, V_{TB2})}{2}$$

Change the procedure according to output pins.

Use VTR1 when measuring T.P20. Similarly, VTG1 for T.P24, VTB1 for T.P28.

2. Set V15 to VTR (VTG, VTB), then slowly raise SG1 amplitude starting from 700mV. Measure the output amplitude when the higher and lower peaks of T.P20 (T.P24, T.P28) output waveform simultaneously begin distortion.

**Vimax Maximum input**

Under the conditions in Note 2, vary V13 to 6.7V as indicated in Attached Table 1, then slowly raise amplitude of the input signal starting from 700mVP-P. Read the amplitude of the input signal when the output signal begins distortion.

**Gv Maximum gain**

**ΔGv Relative maximum gain**

1. Under conditions in attached Table.
2. Input SG1 to pin 10 (pin 6, 2). Read amplitude of the output at T.P20 (T.P24, 28), which is VOR1 (VOG1, VOB1).
3. The maximum gain G is:

$$GV = 20 \text{LOG} \frac{V_{OR1} (V_{OG1}, V_{OB1})}{0.7} \frac{[VP-P]}{[VP-P]}$$

4. The maximum relative gain ΔG is calculated by the equation below:

$$\Delta GV = V_{OR1}/V_{OG1}, V_{OG1}/V_{OB1}, V_{OB1}/V_{OR1}$$

**VCR1 Contrast control characteristics (typical)**

**ΔVCR1 Contrast control relative characteristics (typical)**

1. Conditions are identical with those in Attached Table except setting V13 to 6.0V.
2. Then read amplitude of the output at T.P20 (T.P24, 28), which is VOR2 (VOG2, VOB2)
3. The contrast control characteristics VCR1 and relative contrast control characteristics ΔVCR1 are calculated by the equations below:

$$V_{CR1} = 20 \text{LOG} \frac{V_{OR2} (V_{OG2}, V_{OB2})}{0.7} \frac{[VP-P]}{[VP-P]}$$

$$\Delta V_{CR1} = V_{OR2}/V_{OG2}, V_{OG2}/V_{OB2}, V_{OB2}/V_{OR2}$$

**VCR2 Contrast control characteristics (minimum)**

**ΔVCR2 Contrast control relative characteristics (minimum)**

1. Conditions are identical with those in Attached Table except setting V13 to 3.0V.
2. Then read amplitude of the output at T.P20 (T.P24, 28), which is VOR3 (VOG3, VOB3) and also VCR2.
3. The relative contrast control characteristics ΔVCR2 is:

$$\Delta V_{CR2} = V_{OR3}/V_{OG3}, V_{OG3}/V_{OB3}, V_{OB3}/V_{OR3}$$

**VSCR1 Sub contrast control characteristics (typical)**

**ΔVSCR1 Sub contrast control relative characteristics (typical)**

1. Conditions are identical with those in Attached Table except setting V3, V7, and V11 to 6.0V.
2. Then read amplitude of the output at T.P20 (T.P24, 28), which is VOR4 (VOG4, VOB4).
3. The sub contrast control characteristics VSCR1 and relative sub contrast control characteristics ΔVSCR1 are:

$$V_{SCR1} = 20 \text{LOG} \frac{V_{OR4} (V_{OG4}, V_{OB4})}{0.7} \frac{[VP-P]}{[VP-P]}$$

$$\Delta V_{SCR1} = V_{OR4}/V_{OG4}, V_{OG4}/V_{OB4}, V_{OB4}/V_{OR4}$$

**3-CHANNEL VIDEO AMPLIFICATION**

**V<sub>SCR2</sub> Sub contrast control characteristics (minimum)**

**ΔV<sub>SCR2</sub> Sub contrast control relative characteristics (minimum)**

1. Conditions are identical with those in Attached Table expect setting V3, V7, and V11 to 3.0V.
2. Then read amplitude of the output at T.P20 (T.P24, 28), which is V<sub>OR5</sub> (V<sub>OG5</sub>, V<sub>OB5</sub>) and also V<sub>SCR2</sub>.
3. The relative sub contrast control characteristics ΔV<sub>SCR2</sub> is:  

$$\Delta V_{SCR2} = V_{OR5}/V_{OG5}, V_{OG5}/V_{OB5}, V_{OB5}/V_{OR5}$$

**V<sub>CR2</sub> Contrast/sub contrast control characteristics (typical)**

**ΔV<sub>CR2</sub> Contrast/sub contrast control relative characteristics (typical)**

1. Conditions are identical with those in Attached Table expect setting V13, to 6.0V and V3, V7, and V11 to 6.0V.
2. Then read amplitude of the output at T.P20 (T.P24, 28), which is V<sub>OR6</sub> (V<sub>OG6</sub>, V<sub>OB6</sub>).
3. The gain and relative gain when the contrast and sub contrast are typical, are:

$$V_{CR3} = 20 \text{LOG} \frac{V_{OR6} (V_{OG6}, V_{OB6})}{0.7} \frac{[V_{P-P}]}{[V_{P-P}]}$$

$$\Delta V_{CR3} = V_{OR6}/V_{OG6}, V_{OG6}/V_{OB6}, V_{OB6}/V_{OR6}$$

**V<sub>B1</sub> Brightness control characteristics (maximum)**

**ΔV<sub>B1</sub> Brightness control relative characteristics (maximum)**

1. Under conditions in Attached Table.
2. Then use a voltmeter to measure the output at T.P20 (T.P24, 28), which is V<sub>OR7</sub> (V<sub>OG7</sub>, V<sub>OB7</sub>). This value is V<sub>B1</sub>.
3. In addition, the relative brightness control characteristic is determined from V<sub>OR7</sub>, V<sub>OG7</sub>, and V<sub>OB7</sub> by calculating differences between each channel.

$$\begin{aligned} \Delta V_{B1} &= V_{OR7} - V_{OG7} \\ &= V_{OG7} - V_{OB7} \quad [mV] \\ &= V_{OB7} - V_{OR7} \end{aligned}$$

**V<sub>B2</sub> Brightness control characteristics (typical)**

**ΔV<sub>B2</sub> Brightness control relative characteristics (typical)**

1. Under conditions in Attached Table.
2. Then use a voltmeter to measure the output at T.P20 (T.P24, 28), which is V<sub>OR7</sub> (V<sub>OG7</sub>, V<sub>OB7</sub>). This value is V<sub>B2</sub>.
3. In addition, the relative brightness control characteristic is determined from V<sub>OR7</sub>, V<sub>OG7</sub>, and V<sub>OB7</sub> by calculating differences between each channel.

$$\begin{aligned} \Delta V_{B2} &= V_{OR7} - V_{OG7} \\ &= V_{OG7} - V_{OB7} \quad [mV] \\ &= V_{OB7} - V_{OR7} \end{aligned}$$

**V<sub>B3</sub> Brightness control characteristics (minimum)**

**ΔV<sub>B3</sub> Brightness control relative characteristics (minimum)**

1. Under conditions in Attached Table.
2. Then use a voltmeter to measure the output at T.P20 (T.P24, 28), which is V<sub>OR7</sub> (V<sub>OG7</sub>, V<sub>OB7</sub>). This value is V<sub>B3</sub>.
3. In addition, the relative brightness control characteristic ΔV<sub>B3</sub> is determined from V<sub>OR7</sub>, V<sub>OG7</sub>, and V<sub>OB7</sub> by calculating differences between each channel.

$$\begin{aligned} \Delta V_{B3} &= V_{OR7} - V_{OG7} \\ &= V_{OG7} - V_{OB7} \quad [mV] \\ &= V_{OB7} - V_{OR7} \end{aligned}$$

**F<sub>C1</sub> Frequency characteristics1 (f=50MHz; maximum)**

**ΔF<sub>C1</sub> Frequency relative characteristics1 (f=50MHz; maximum)**

**F<sub>C1'</sub> Frequency characteristics1 (f=75MHz; maximum)**

**ΔF<sub>C1'</sub> Frequency relative characteristics1 (f=75MHz; maximum)**

1. Under conditions in Attached Table.
2. Use SG3 and SG4. Measure amplitude of the output waveform at T.P20 (T.P24, T.P28) following the procedure in G<sub>v</sub>, ΔG<sub>v</sub>.
3. The frequency characteristics F<sub>C1</sub>, F<sub>C1'</sub> are calculated by the equations below:

$$F_{C1} = 20 \text{LOG} \frac{V_{OR8} (V_{OG8}, V_{OB8})}{V_{OR1} (V_{OG1}, V_{OB1})} \frac{[V_{P-P}]}{[V_{P-P}]}$$

$$F_{C1'} = 20 \text{LOG} \frac{V_{OR9} (V_{OG9}, V_{OB9})}{V_{OR1} (V_{OG1}, V_{OB1})} \frac{[V_{P-P}]}{[V_{P-P}]}$$

Where, V<sub>OR8</sub> (V<sub>OG8</sub>, V<sub>OB8</sub>) is the output amplitude when inputting SG3, and V<sub>OR9</sub> (V<sub>OG9</sub>, V<sub>OB9</sub>), SG4, which are measured in 2 above. (V<sub>OR1</sub> (V<sub>OG1</sub>, V<sub>OB1</sub>) is the value measured in G<sub>v</sub>, ΔG<sub>v</sub>.)

4. The relative frequency characteristics ΔF<sub>C1</sub>, ΔF<sub>C1'</sub> are determined by calculating differences between each channel's F<sub>C1</sub> and F<sub>C1'</sub>.

**F<sub>C2</sub> Frequency characteristics2 (f=50MHz; maximum)**

**ΔF<sub>C2'</sub> Frequency relative characteristics2 (f=75MHz; maximum)**

The procedure is identical with that in F<sub>C1</sub>, ΔF<sub>C1</sub>, F<sub>C1'</sub>, ΔF<sub>C1'</sub> except that the contrast (V13) is reduced to 5.0V.

**C.T.1 Crosstalk1 (f=50MHz)**

**C.T.1' Crosstalk1 (f=75MHz)**

1. Under conditions in attached Table.
2. Input SG2 (or SG4) to pin 10 (R-ch) only. Then measure amplitude of the output waveform at T.P20 (T.P24, T.P28), which are V<sub>OR</sub>, V<sub>OG</sub>, and V<sub>OB</sub>, respectively.
3. Crosstalk C.T. is:

$$\text{C.T. (C.T.')} = 20 \text{LOG} \frac{V_{OG \text{ or } V_{OB}}}{V_{OR}} \frac{[V_{P-P}]}{[V_{P-P}]} \text{ [dB]}$$

**3-CHANNEL VIDEO AMPLIFICATION**

**C.T.2 Crosstalk2 (f=50MHz)**

**C.T.2' Crosstalk2 (f=75MHz)**

1. After the input pin from 10 (R-ch) to 6 (G-ch) and read the output following the procedure in C.T.1, C.T.1'.
2. Crosstalk C.T. is:

$$\text{C.T. (C.T.')} = 20 \text{LOG} \frac{V_{OR \text{ or } V_{OB}}}{V_{OG}} \frac{[V_{P-P}]}{[V_{P-P}]} \text{ [dB]}$$

**C.T.3 Crosstalk3 (f=50MHz)**

**C.T.3' Crosstalk3 (f=75MHz)**

1. After the input pin from 10 (R-ch) to 2 (B-ch) and read the output following the procedure in C.T.1, C.T.1'.
2. Crosstalk C.T. is:

$$\text{C.T. (C.T.')} = 20 \text{LOG} \frac{V_{OR \text{ or } V_{OB}}}{V_{OG}} \frac{[V_{P-P}]}{[V_{P-P}]} \text{ [dB]}$$

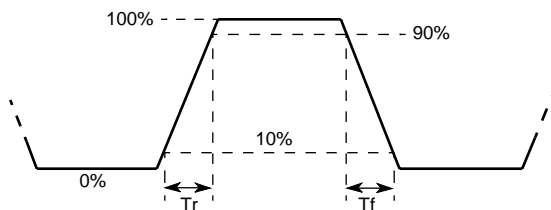
**Tr Pulse characteristics1**

**Tf Pulse characteristics2**

1. Under conditions in attached Table.
2. Measure 10% to 90% rise Tr1 and fall Tf1 of the input pulse using an active probe.
3. Next, measure 10% to 90% rise Tr2 and fall Tf2 of the output pulse using an active probe.
4. Pulse characteristics Tr and Tf are calculated by the equations below :

$$Tr \text{ (nsec)} = \sqrt{(Tr2)^2 - (Tr1)^2}$$

$$Tf \text{ (nsec)} = \sqrt{(Tf2)^2 - (Tf1)^2}$$



**V14th Clamp pulse threshold voltage**

1. Under conditions in attached Table.
2. Then slowly reduce the level of SG6 monitoring the output (approx. 2.0VDC) and measure the level of SG6 when the output becomes 0V.

**W14 Clamp pulse minimum width**

Under the conditions in V14th, slowly reduce the pulse width of SG6 monitoring the output.

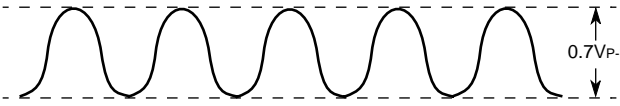
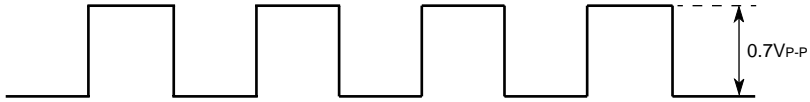
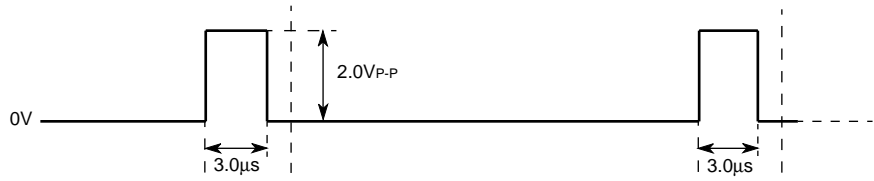
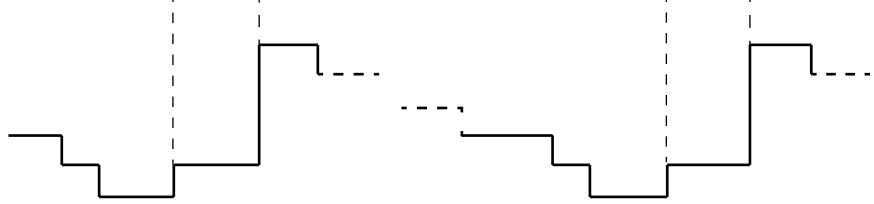
Then measure the pulse width of SG6 when the output becomes 0V.

**V27 Hold voltage**

1. Under conditions in attached Table.
2. Read T.P19, 23 and 27 with a voltmeter.

**3-CHANNEL VIDEO AMPLIFICATION**

**INPUT SIGNAL**

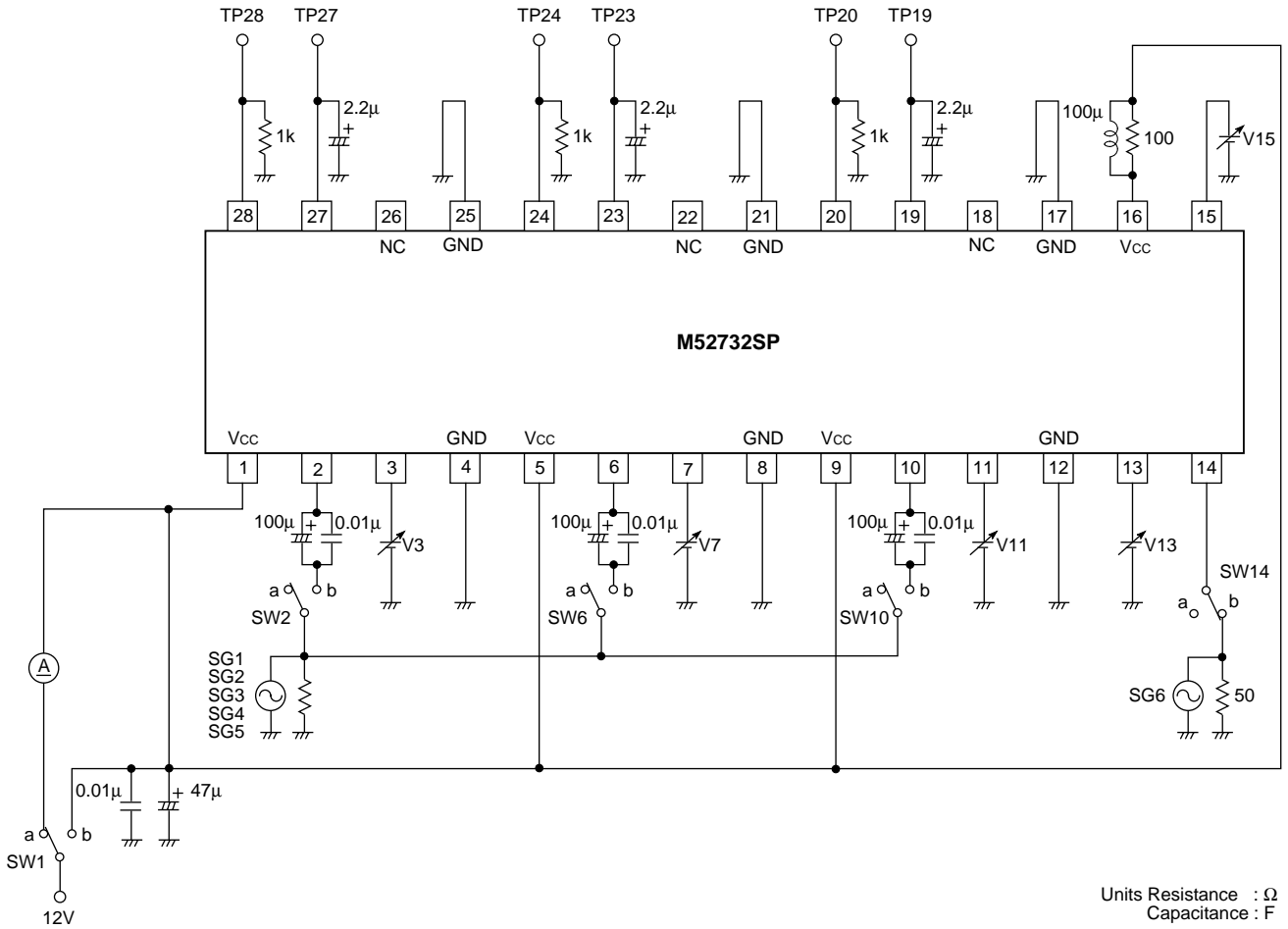
SG No.	Signals
SG1	Sine wave of amplitude 0.7V <sub>P-P</sub> (75kHz, amplitude partlym variable*) 
SG2	Sine wave with amplitude of 0.7V <sub>P-P</sub> (f=10MHz)
SG3	Sine wave with amplitude of 0.7V <sub>P-P</sub> (f=50MHz)
SG4	Sine wave with amplitude of 0.7V <sub>P-P</sub> (f=75MHz)
SG5	Pulse with amplitude of 0.7V <sub>P-P</sub> (f=1MHz, duty=50%) 
SG6	Pulses of amplitude 2.0V <sub>P-P</sub> and width 3.0 synchronizing to the pedestal of the standard video staircase 
SG7	Standard video staircase 

\* See Notes

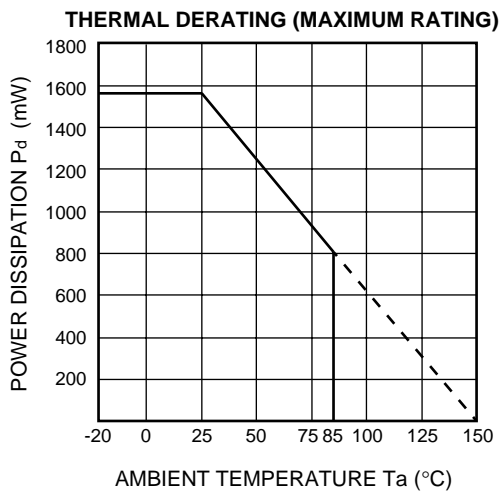
# M52732SP

## 3-CHANNEL VIDEO AMPLIFICATION

### TEST CIRCUIT



### TYPICAL CHARACTERISTICS

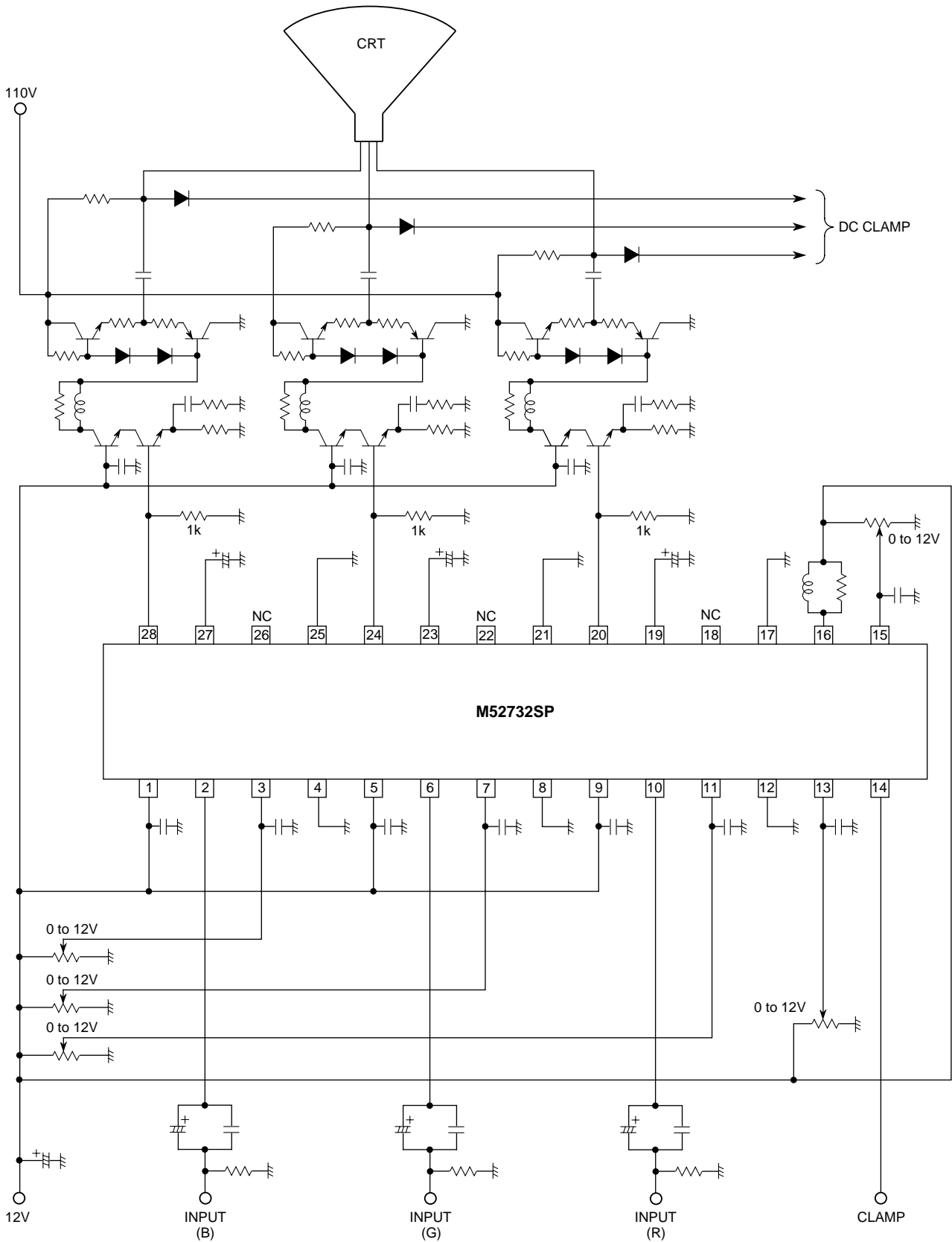




# M52732SP

## 3-CHANNEL VIDEO AMPLIFICATION

### APPLICATION EXAMPLE



Units Resistance : Ω  
Capacitance : F

# M52732SP

## 3-CHANNEL VIDEO AMPLIFICATION

### DESCRIPTION OF PIN

Pin No.	Name	DC voltage (V)	Peripheral circuit of pins	Description of function
1 5 9	Vcc (B-ch) Vcc (G-ch) Vcc (R-ch)	12	—	The voltage to be applied to 3 channels shall be equal.
2 6 10	B-IN G-IN R-IN	2.9		
3 7 11	B SUB CONTRAST G SUB CONTRAST R SUB CONTRAST	4.0		
4, 25 8, 21 12, 17	GND (B-ch) GND (G-ch) GND (R-ch)	GND	—	
13	CONTRAST	6.9		
14	CLAMP PULSE			

# M52732SP

## 3-CHANNEL VIDEO AMPLIFICATION

### DESCRIPTION OF PIN (cont.)

Pin No.	Name	DC voltage (V)	Peripheral circuit of pins	Description of function
15	BRIGHT			
16	Vcc	12	-	
18 22 26	NC			
19 23 27	R HOLD G HOLD B HOLD	Variable		
20 24 28	B OUT G OUT R OUT	Variable		A resistor is needed at the GND side. Choose any resistance value under 15mA according to the driving capability required.