

M37225M6-XXXSP, M37225M8-XXXSP M37225ECSP

SINGLE-CHIP 8-BIT CMOS MICROCOMPUTER for VOLTAGE SYNTHESIZER
with ON-SCREEN DISPLAY CONTROLLER

1. DESCRIPTION

The M37225M6-XXXSP, M37225M8-XXXSP, and M37225ECSP are single-chip microcomputers designed with CMOS silicon gate technology. They have a OSD, I²C-BUS interface, PWM output, and 12 V withstand, so it is useful for a channel selection system for TV.

The features of the M37225ECSP are similar to those of the M37225M6-XXXSP except that the chip has a built-in PROM which can be written electrically. The difference between M37225M6-XXXSP and M37225M8-XXXSP are the ROM size. Accordingly, the following descriptions will be for the M37225M6-XXXSP.

2. FEATURES

- Number of basic instructions 71
- Memory size
 - ROM 24K bytes (M37225M6-XXXSP)
32K bytes (M37225M8-XXXSP)
48K bytes (M37225ECSP)
 - RAM 1024 bytes (M37225M6-XXXSP,
M37225M8-XXXSP)
2048 bytes (M37225ECSP)

(*ROM correction memory included)
- Minimum instruction execution time
..... 0.5 μs (at 8 MHz oscillation frequency)
- Power source voltage 5 V ± 10 %
- Subroutine nesting 128 levels (Max.)
- Interrupts 16 types, 16 vectors
- 8-bit timers 4
- Programmable I/O ports (Ports P0, P1, P2, P30–P32, P35) 28
- Input ports (Ports P33, P34, P50, P51) 4
- Output ports (Ports P52–P55) 4
- 12 V withstand ports 6
- LED drive ports 4
- Serial I/O 8-bit X 1 channel
- Multi-master I²C-BUS interface 1 (2 systems)
- A-D converter (8-bit resolution) 8 channels
- PWM output circuit 14-bit X 2, 8-bit X 6
- Power dissipation
 - In operating 165 mW
(at V_{CC} = 5.5V, 8 MHz oscillation frequency, and OSD on)
- ROM correction function 3 vectors
- Immediate return mode from wait state

● OSD function

- Display characters 24 characters X 2 lines
(It is possible to display 3 lines or more by software)
- Kinds of characters 381 kinds
- Character display area 16 X 20 dots
- Kinds of character sizes Block display: 3 kinds
SPRITE display: 1 kinds
- Kinds of character colors. 8 colors (R, G, B)
- Coloring unit character, character background, raster
- Display position
 - Horizontal: 64 levels Vertical :255 levels
- Attribute Border (all-bordered, shadow-bordered), BUTTON
- SPRITE display function
- Wallpaper function
- Window function
- Corresponding to bi-scan mode

3. APPLICATION

TV

**M37225M6-XXXSP, M37225M8-XXXSP
M37225ECSP**

SINGLE-CHIP 8-BIT CMOS MICROCOMPUTER for VOLTAGE SYNTHESIZER
with ON-SCREEN DISPLAY CONTROLLER

TABLE OF CONTENTS

1. DESCRIPTION	1	9. PROGRAMMING NOTES	88
2. FEATURS	1	10. ABSOLUTE MAXIMUM RATINGS	89
3. APPLICATION	1	11. RECOMMENDED OPERATING CONDITIONS	89
4. PIN CONFIGURATION	3	12. ELECTRIC CHARACTERISTICS	90
5. FUNCTIONAL BLOCK DIAGRAM	4	13. A-D COMPARISON CHARACTERISTICS	92
6. PERFORMANCE OVERVIEW	5	14. MULTI-MASTER I ² C-BUS BUS LINE CHARACTERISTICS	92
7. PIN DESCRIPTION	7	15. PROM PROGRAMMING METHOD	93
8. FUNCTIONAL DESCRIPTION	11	16. DATA REQUIRED FOR MASK ORDERS	94
8.1 CENTRAL PROCESSING UNIT (CPU)	11	17. MASK CONFIRMATION FORM	95
8.2 MEMORY	12	18. MARK SPECIFICATION FORM	101
8.3 INTERRUPTS	19	19. ONE TIME PROM VERSIONS M37225ECSP MARKING ...	102
8.4 TIMERS	24	20. APPENDIX	103
8.5 SERIAL I/O	27	21. PACKAGE OUTLINE	131
8.6 MULTI-MASTER I ² C-BUS INTERFACE	31		
8.7 PWM OUTPUT CIRCUIT	44		
8.8 A-D COMPARATOR	49		
8.9 ROM CORRECTION FUNCTION	53		
8.10 OSD FUNCTIONS	54		
(1) Clock for OSD	57		
(2) Scan mode	58		
(3) OSD input/output pin control	59		
8.10.1 Block Display	60		
(1) Display position	61		
(2) Dot size	65		
(3) Memory For OSD	66		
(4) Character Color	69		
(5) Character Background Color	69		
(6) OUT1, OUT2 Signals	69		
(7) Attribute	72		
(8) Multiple Display	76		
(9) Window Function	77		
8.10.2 SPRITE Display	80		
8.10.3 Raster Display	83		
8.11. SOFTWARE RUNAWAY DETECT FUNCTION	85		
8.12. RESET CIRCUIT	86		
8.13. CLOCK GENERATING CIRCUIT	87		
8.14. DISPLAY OSCILLATION CIRCUIT	88		
8.15. AUTO-CLEAR CIRCUIT	88		
8.16. ADDRESSING MODE	88		
8.17. MACHINE INSTRUCTIONS	88		

M37225M6-XXXSP, M37225M8-XXXSP M37225ECSP

SINGLE-CHIP 8-BIT CMOS MICROCOMPUTER for VOLTAGE SYNTHESIZER
with ON-SCREEN DISPLAY CONTROLLER

4. PIN CONFIGURATION

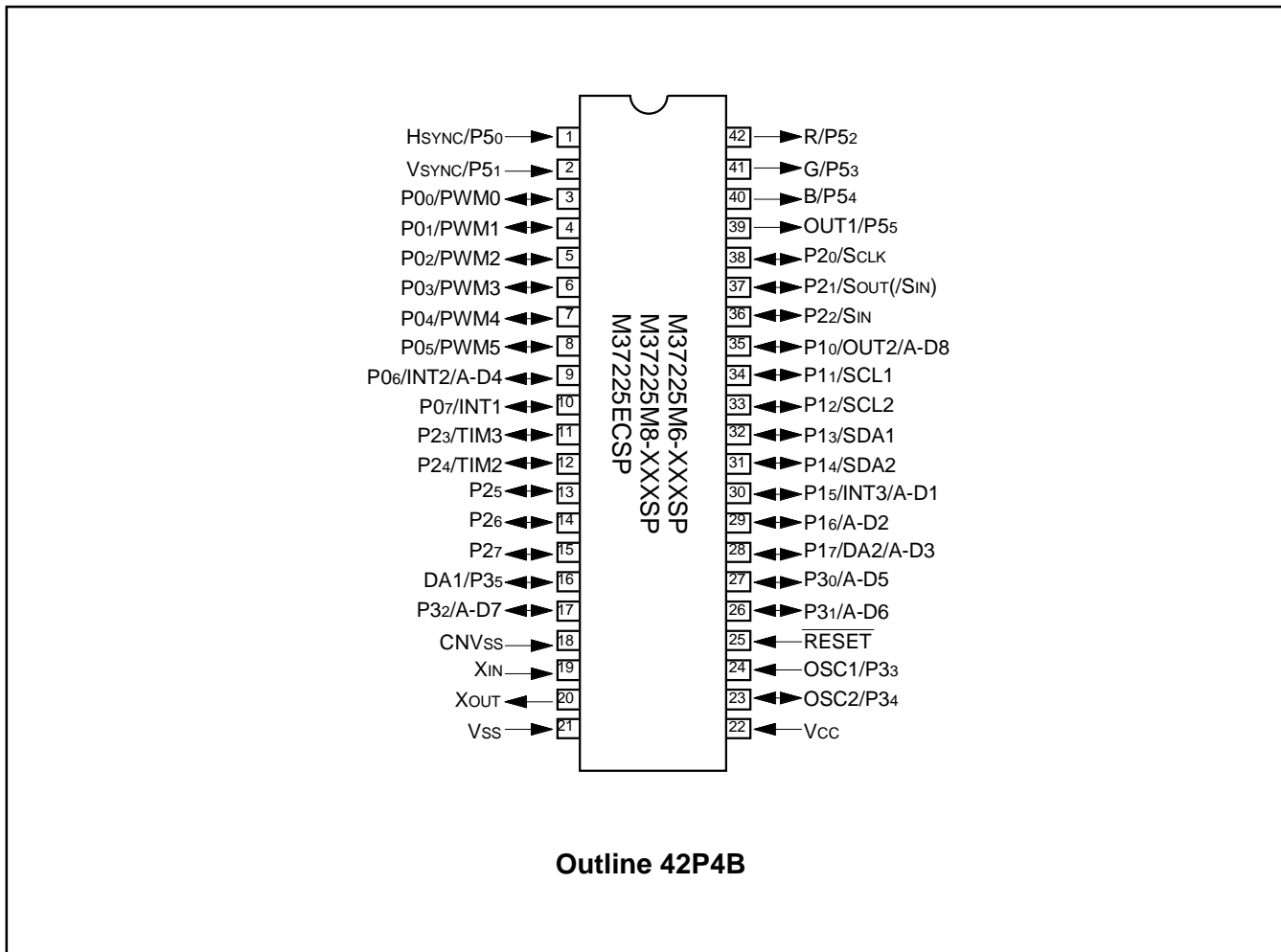


Fig. 4.1 Pin Configuration (Top View)

M37225M6-XXXSP, M37225M8-XXXSP M37225ECSP

SINGLE-CHIP 8-BIT CMOS MICROCOMPUTER for VOLTAGE SYNTHESIZER
with ON-SCREEN DISPLAY CONTROLLER

5. FUNCTIONAL BLOCK DIAGRAM

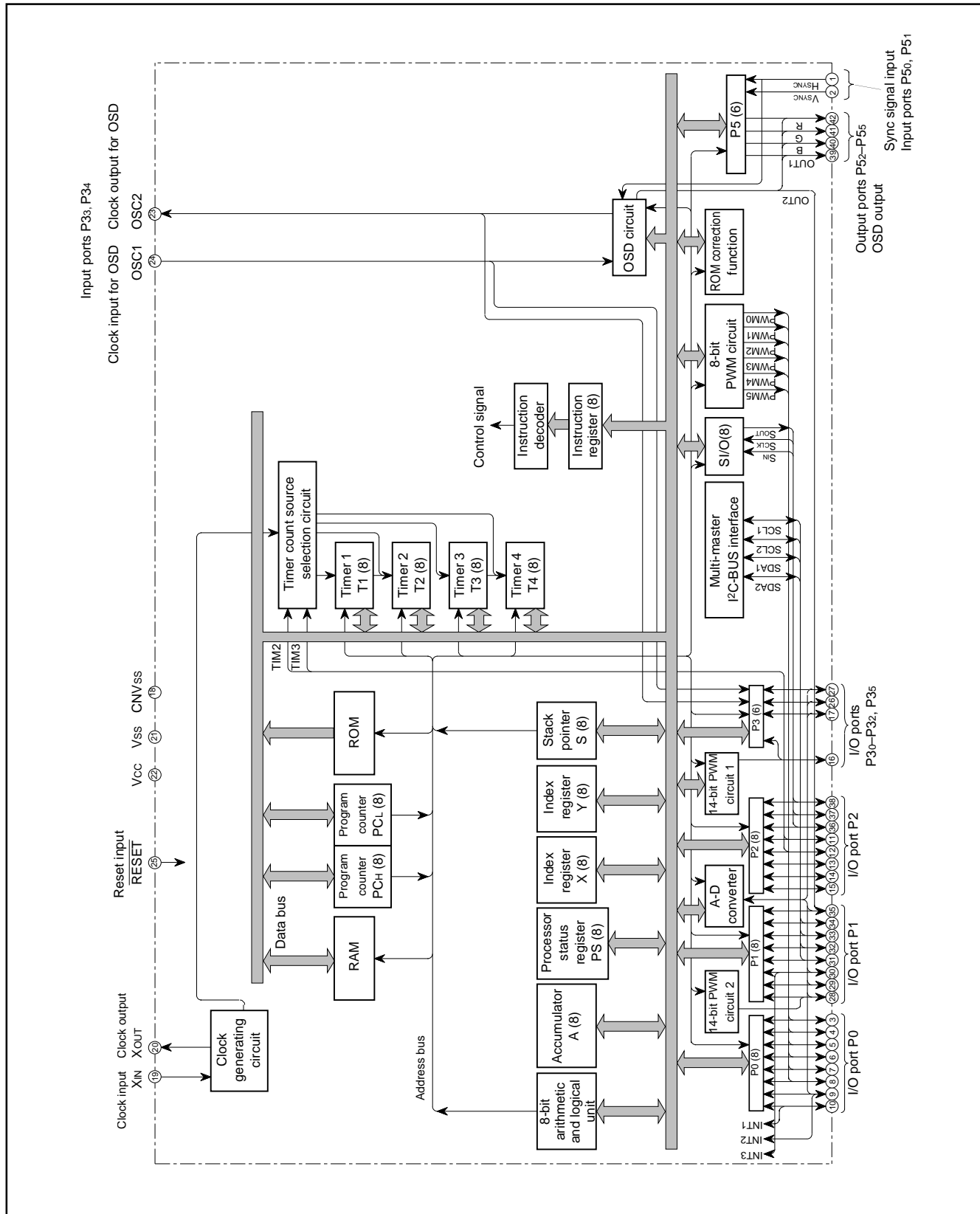


Fig. 5.1 Functional Block Diagram of M37225

M37225M6-XXXSP, M37225M8-XXXSP M37225ECSP

SINGLE-CHIP 8-BIT CMOS MICROCOMPUTER for VOLTAGE SYNTHESIZER
with ON-SCREEN DISPLAY CONTROLLER

6. PERFORMANCE OVERVIEW

Table 6.1 Performance Overview

Parameter		Functions	
Number of basic instructions		71	
Instruction execution time		0.5 μs (the minimum instruction execution time, at 8 MHz oscillation frequency)	
Clock frequency		8 MHz (maximum)	
Memory size	ROM	M37225M6-XXXSP	24K bytes
		M37225M8-XXXSP	32K bytes
		M37225ECSP	48K bytes
	RAM	M37225M6-XXXSP, M37225M8-XXXSP	1024 bytes (ROM correction memory included)
		M37225ECSP	2048 bytes (ROM correction memory included)
	OSD ROM		15K bytes
OSD RAM		96 bytes	
Input/Output ports	P00-P05	I/O	6-bit X 1 (N-channel open-drain output structure, can be used as PWM output pins)
	P06, P07	I/O	2-bit X 1 (N-channel open-drain output structure, can be used as INT input pins, A-D input pin)
	P1	I/O	8-bit X 1 (CMOS input/output structure, can be used as OSD output pin, INT input pin, A-D input pins, DA output pin, multi-master I ² C-BUS interface)
	P2	I/O	8-bit X 1 (CMOS input/output structure, can be used as serial I/O pins, timer external clock input pins)
	P30, P31, P35	I/O	3-bit X 1 (CMOS output structure, or N-channel open-drain output structure, can be used as A-D input pins, DA output pin)
	P32	I/O	1-bit X 1 (N-channel open-drain output structure, can be used as A-D input pin)
	P33, P34	Input	2-bit X 1 (Can be used as OSD clock input/output pins)
	P50, P51	Input	2-bit X 1 (N-channel open-drain output structure, can be used as horizontal • vertical synchronous signal input pins)
	P52-P55	Output	4-bit X 1 (CMOS output structure, can be used as OSD output pins)
Serial I/O		8-bit X 1	
Multi-master I ² C-BUS interface		1 (2 systems)	
A-D converter		8 channels (8-bit resolution)	
PWM output circuit		14-bit X 2, 8-bit X 6	
Timers		8-bit timer X 4	
ROM correction function		3 vectors	
Subroutine nesting		128 levels (maximum)	
Interrupt		<16 types> INT external interrupt X 3, Internal timer interrupt X 6, Serial I/O interrupt X 1, OSD interrupt X 1, Multi-master I ² C-BUS interface interrupt X 1, f(XIN)/4096 interrupt X 1, SPRITE OSD interrupt X 1, A-D conversion interrupt X 1, Vsync interrupt X 1, BRK instruction interrupt X 1, reset X 1	
Clock generating circuit		2 built-in circuits (externally connected to a ceramic resonator or a quartz-crystal oscillator)	

**M37225M6-XXXSP, M37225M8-XXXSP
M37225ECSP**

SINGLE-CHIP 8-BIT CMOS MICROCOMPUTER for VOLTAGE SYNTHESIZER
with ON-SCREEN DISPLAY CONTROLLER

Table 6.2 Performance Overview (Continued)

Parameter		Functions
OSD function	Number of display characters	24 characters X 2 lines
	Dot structure	16 X 20 dots
	Kinds of characters	381 kinds
	Kinds of character sizes	3 kinds
	Character font coloring	1 screen : 8 kinds (per character unit)
	Display position	Horizontal : 64 levels, Vertical : 255 levels
Power source voltage		5V ± 10%
Power dissipation	OSD ON	165 mW typ. (at oscillation frequency $f(X_{IN}) = 8$ MHz, $f_{OSC} = 8$ MHz)
	OSD OFF	110 mW typ. (at oscillation frequency $f(X_{IN}) = 8$ MHz)
	In stop mode	1.65 mW (maximum)
Operating temperature range		-10 °C to 70 °C
Device structure		CMOS silicon gate process
Package		42-pin plastic molded SDIP

M37225M6-XXXSP, M37225M8-XXXSP M37225ECSP

SINGLE-CHIP 8-BIT CMOS MICROCOMPUTER for VOLTAGE SYNTHESIZER
with ON-SCREEN DISPLAY CONTROLLER

7. PIN DESCRIPTION

Table 7.1 Pin Description

Pin	Name	Input/ Output	Functions
VCC, Vss	Power source		Apply voltage of 5 V ± 10 % to (typical) VCC, and 0 V to Vss.
CNVss	CNVss		This is connected to Vss.
RESET	Reset input	Input	To enter the reset state, the reset input pin must be kept at a LOW for 2 μs or more (under normal VCC conditions). If more time is needed for the quartz-crystal oscillator to stabilize, this LOW condition should be maintained for the required time.
XIN	Clock input	Input	This chip has an internal clock generating circuit. To control generating frequency, an external ceramic resonator or a quartz-crystal oscillator is connected between pins XIN and XOUT. If an external clock is used, the clock source should be connected to the XIN pin and the XOUT pin should be left open.
XOUT	Clock output	Output	
P00/PWM0- P05/PWM5, P06/INT2/A-D4, P07/INT1	I/O port P0	I/O	Port P0 is an 8-bit I/O port with direction register allowing each I/O bit to be individually programmed as input or output. At reset, this port is set to input mode. The output structure is N-channel open-drain output. (See note 1)
	PWM output	Output	Pins P00-P05 are also used as PWM output pins PWM0-PWM5 respectively. The output structure is N-channel open-drain output.
	External interrupt input	Input	Pins P06 and P07 are also used as INT external interrupt input pins INT2 and INT1 respectively.
	Analog input	Input	P06 pin is also used as analog input pin A-D4.
P10/OUT2/A-D8, P11/SCL1, P12/SCL2, P13/SDA1, P14/SDA2, P15/INT3/A-D1, P16/A-D2, P17/DA2/A-D3	I/O port P1	I/O	Port P1 is an 8-bit I/O port and has basically the same functions as port P0. The output structure is CMOS output. (See note 1)
	OSD output	Output	Pins P10 is also used as OSD output pin OUT2. The output structure is CMOS output.
	Multi-master I ² C-BUS interface	I/O	Pins P11-P14 are used as SCL1, SCL2, SDA1 and SDA2 respectively, when multi-master I ² C-BUS interface is used. The output structure is N-channel open-drain output.
	Analog input	Input	Pins P10, P15-P17 are also used as analog input pin A-D8, A-D1-A-D3 respectively.
	External interrupt input	Input	P15 pin is also used as INT external interrupt input pin INT3.
P20/SCLK, P22/SIN, P23/TIM3, P24/TIM2, P25-P27	DA output	Output	Pins P17 is also used as 14-bit PWM output pin DA2. The output structure is CMOS output.
	I/O port P2	I/O	Port P2 is an 8-bit I/O port and has basically the same functions as port P0. The P21/SOUT(/SIN), output structure is CMOS output. (See note 1)
	Serial I/O synchronous clock input/output port	I/O	P20 pin is also used as serial I/O synchronous clock input/output pin SCLK. The output structure is N-channel open-drain output.
	Serial I/O data input/output	I/O	P21 pin is also used as serial I/O data input/output pin SOUT (/SIN). The output structure is N-channel open-drain output.
	Serial I/O data input	Input	P22 pin is also used as serial I/O data input pin SIN.
P30/A-D5, P31/A-D6, P32/A-D7, DA1/P35	External clock input for timer	Input	Pins P23 and P24 are also used as timer external clock input pins TIM3 and TIM2 respectively.
	I/O port P3	I/O	Ports P30-P32 and P35 are a 3-bit I/O port and has basically the same functions as port 0 (see note 1). Either CMOS output or N-channel open-drain output structure can be selected as ports P30, P31 and P35. The output structure of port P32 is N-channel open-drain output structure.(See notes 1, 2)
	Analog input	Input	Pins P30-P32 are also used as analog input pins A-D5-A-D7 respectively.
OSC1/P33, OSC2/P34,	DA output	Output	P35 pin is also used as 14-bit PWM output pin DA1. The output structure is CMOS output. At reset, output is undefined.
	Input port P3	Input	Pins P33 and P34 are a 2-bit input port.
	Clock input for OSD	Input	P33 pin is also used as OSD clock input pin OSC1.
	Clock output for OSD	Output	P34 pin is also used as OSD clock output pin OSC2. The output structure is CMOS output.

**M37225M6-XXXSP, M37225M8-XXXSP
M37225ECSP**

SINGLE-CHIP 8-BIT CMOS MICROCOMPUTER for VOLTAGE SYNTHESIZER
with ON-SCREEN DISPLAY CONTROLLER

Table 7.2 Pin Description (continued)

Pin	Name	Input/ Output	Functions
HSYNC/P50, VSYNC/P51	Input port P5	Input	Ports P50 and P51 are a 2-bit input port.
	HSYNC input	Input	This is a horizontal synchronizing signal input for OSD.
	VSYNC input	Input	This is a vertical synchronizing signal input for OSD.
R/P52, G/P53, B/P54, OUT1/P55	Output port P5	Output	Ports P52-P55 are a 4-bit output port. The output structure is CMOS output.
	OSD output	Output	Pins P52-P55 are also used as OSD output pins R, G, B, OUT1 respectively. The output structure is CMOS output. At reset, output is LOW.

Notes 1: Port Pi (i = 0 to 3) has the port Pi direction register which can be used to program each bit as an input ("0") or an output ("1"). The pins programmed as "1" in the direction register are output pins. When pins are programmed as "0," they are input pins. When pins are programmed as output pins, the output data are written into the port latch and then output. When data is read from the output pins, the output pin level is not read but the data of the port latch is read. This allows a previously-output value to be read correctly even if the output LOW voltage has risen, for example, because a light emitting diode was directly driven. The input pins are in the floating state, so the values of the pins can be read. When data is written into the input pin, it is written only into the port latch, while the pin remains in the floating state.

2: To switch output structures, set by the following bits.

P30 : bit 6 of port P3 direction register

P31 : bit 7 of port P3 direction register

P35 : bit 5 of port P35 output mode control register

When "0," CMOS output; when "1," N-channel open-drain output.

M37225M6-XXXSP, M37225M8-XXXSP M37225ECSP

SINGLE-CHIP 8-BIT CMOS MICROCOMPUTER for VOLTAGE SYNTHESIZER
with ON-SCREEN DISPLAY CONTROLLER

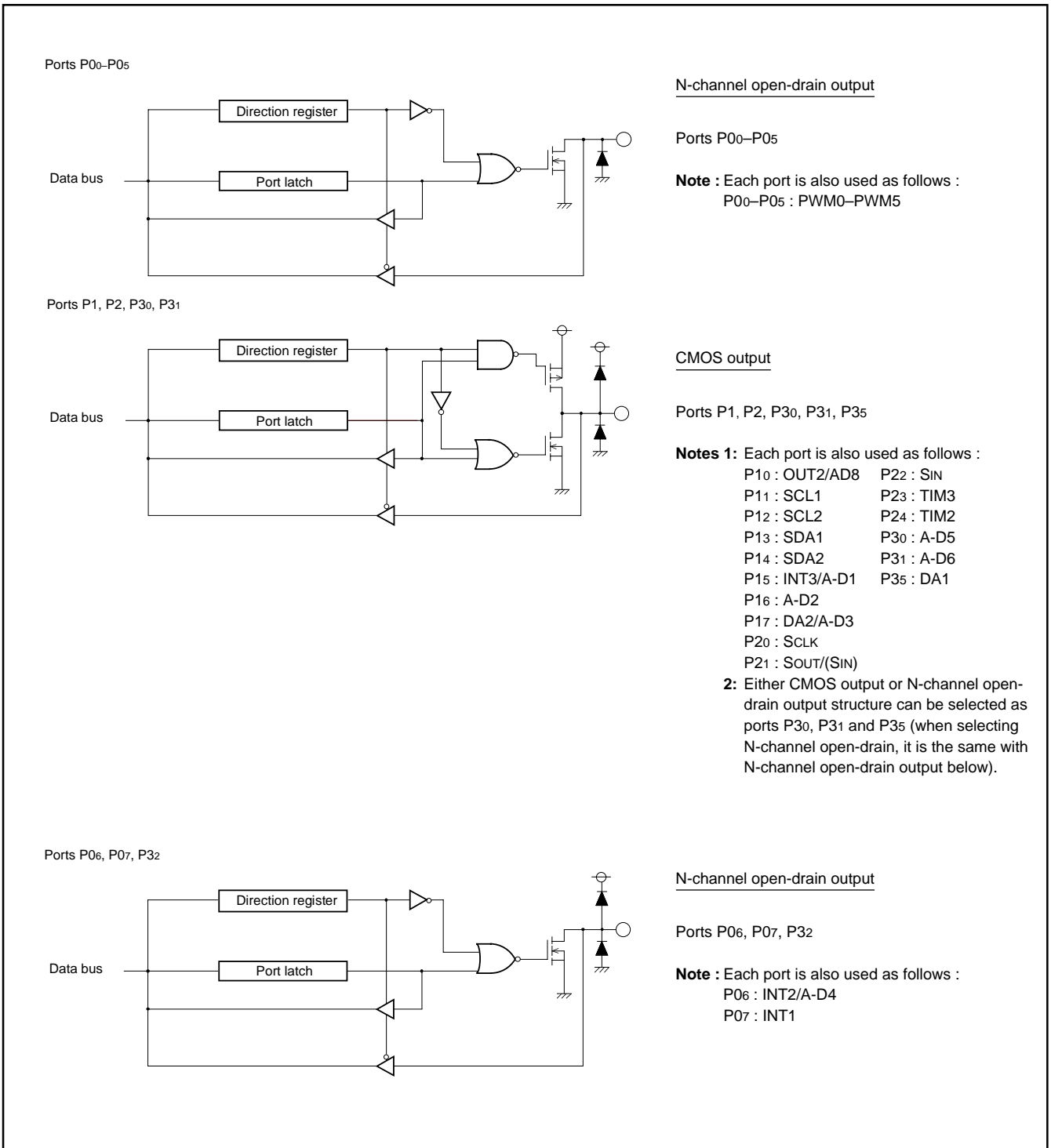


Fig. 7.1 I/O Pin Block Diagram (1)

M37225M6-XXXSP, M37225M8-XXXSP M37225ECSP

SINGLE-CHIP 8-BIT CMOS MICROCOMPUTER for VOLTAGE SYNTHESIZER
with ON-SCREEN DISPLAY CONTROLLER

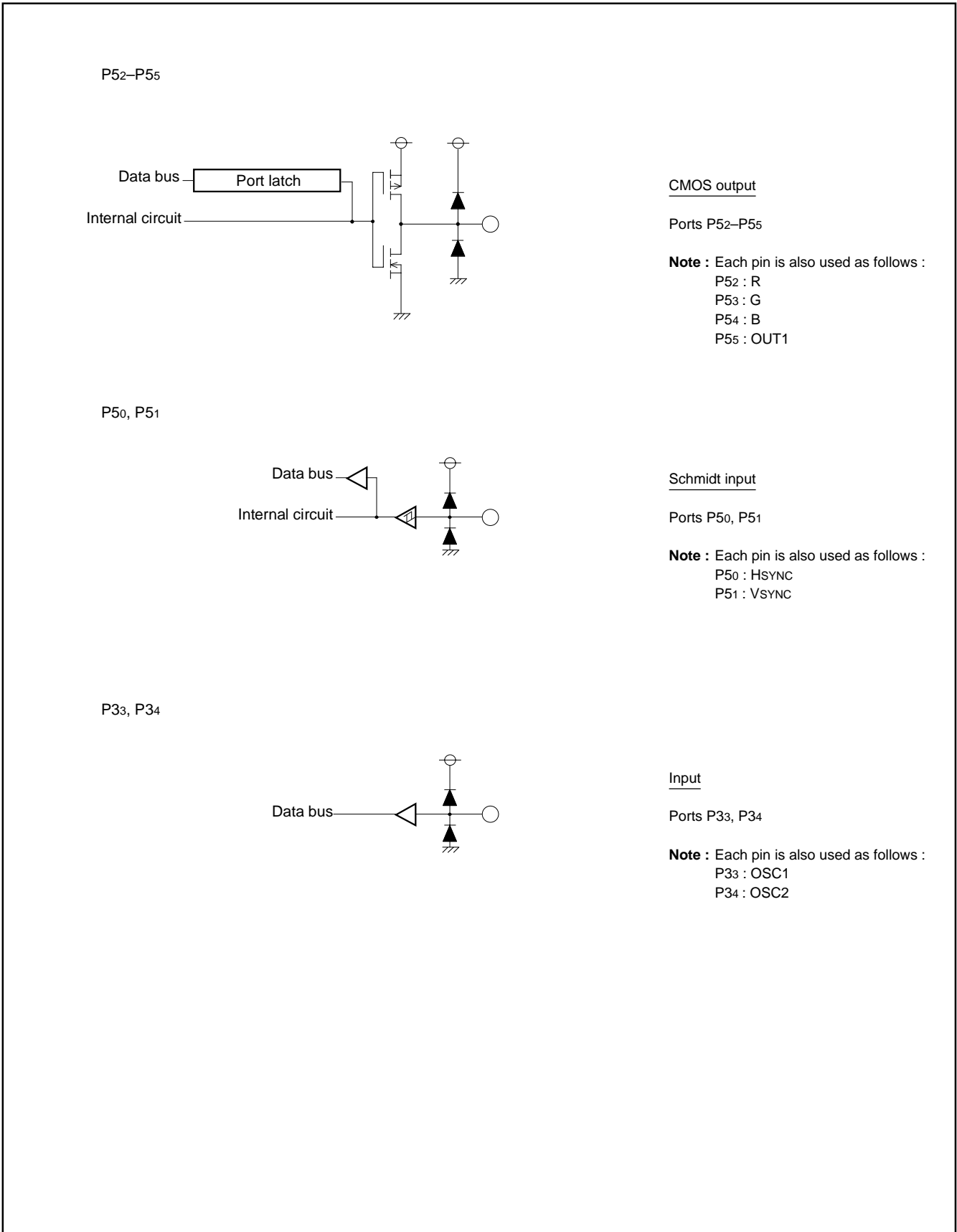


Fig. 7.2 I/O Pin Block Diagram (2)

M37225M6-XXXSP, M37225M8-XXXSP M37225ECSP

SINGLE-CHIP 8-BIT CMOS MICROCOMPUTER for VOLTAGE SYNTHESIZER
with ON-SCREEN DISPLAY CONTROLLER

8. FUNCTIONAL DESCRIPTION

8.1 CENTRAL PROCESSING UNIT (CPU)

This microcomputer uses the standard 740 Family instruction set. Refer to the table of 740 Family addressing modes and machine instructions or the SERIES 740 <Software> User's Manual for details on the instruction set.

Machine-resident 740 Family instructions are as follows:

The FST, SLW instruction cannot be used.

The MUL, DIV, WIT and STP instructions can be used.

8.1.1 CPU Mode Register

The CPU mode register contains the stack page selection bit and internal system clock selection bit. The CPU mode register is allocated at address 00FB16.

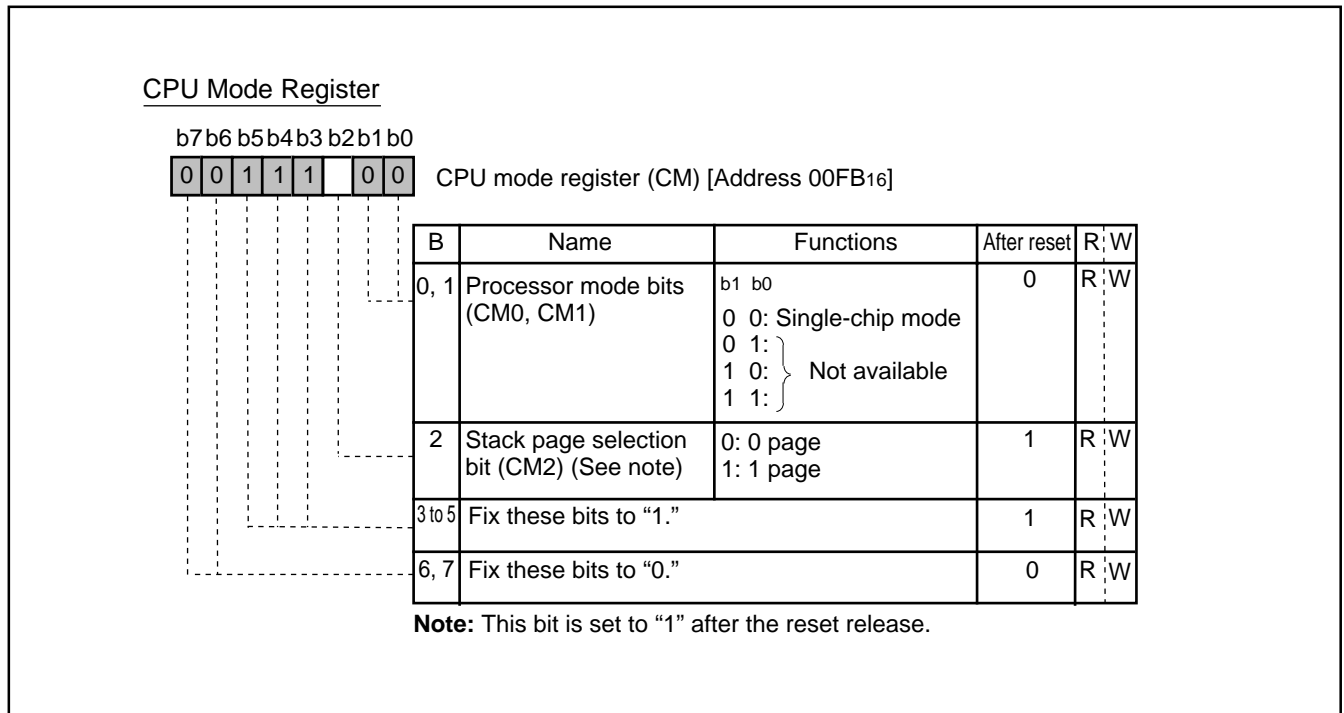


Fig. 8.1.1 CPU Mode Register

M37225M6–XXXSP, M37225M8–XXXSP M37225ECSP

SINGLE-CHIP 8-BIT CMOS MICROCOMPUTER for VOLTAGE SYNTHESIZER
with ON-SCREEN DISPLAY CONTROLLER

8.2 MEMORY

8.2.1 Special Function Register (SFR) Area

The special function register (SFR) area in the zero page contains control registers such as I/O ports and timers.

8.2.2 RAM

RAM is used for data storage and for stack area of subroutine calls and interrupts.

8.2.3 ROM

ROM is used for storing user programs as well as the interrupt vector area.

8.2.4 OSD RAM

RAM for display is used for specifying the character codes and colors to display.

8.2.5 OSD ROM

ROM for display is used for storing character data.

8.2.6 Interrupt Vector Area

The interrupt vector area contains reset and interrupt vectors.

8.2.7 Zero Page

The 256 bytes from addresses 0000₁₆ to 00FF₁₆ are called the zero page area. The internal RAM and the special function registers (SFR) are allocated to this area.

The zero page addressing mode can be used to specify memory and register addresses in the zero page area. Access to this area with only 2 bytes is possible in the zero page addressing mode.

8.2.8 Special Page

The 256 bytes from addresses FF00₁₆ to FFFF₁₆ are called the special page area. The special page addressing mode can be used to specify memory addresses in the special page area. Access to this area with only 2 bytes is possible in the special page addressing mode.

8.2.9 ROM Correction Vector

This is used as the program jump destination addresses for ROM correction.

M37225M6-XXXSP, M37225M8-XXXSP M37225ECSP

SINGLE-CHIP 8-BIT CMOS MICROCOMPUTER for VOLTAGE SYNTHESIZER
with ON-SCREEN DISPLAY CONTROLLER

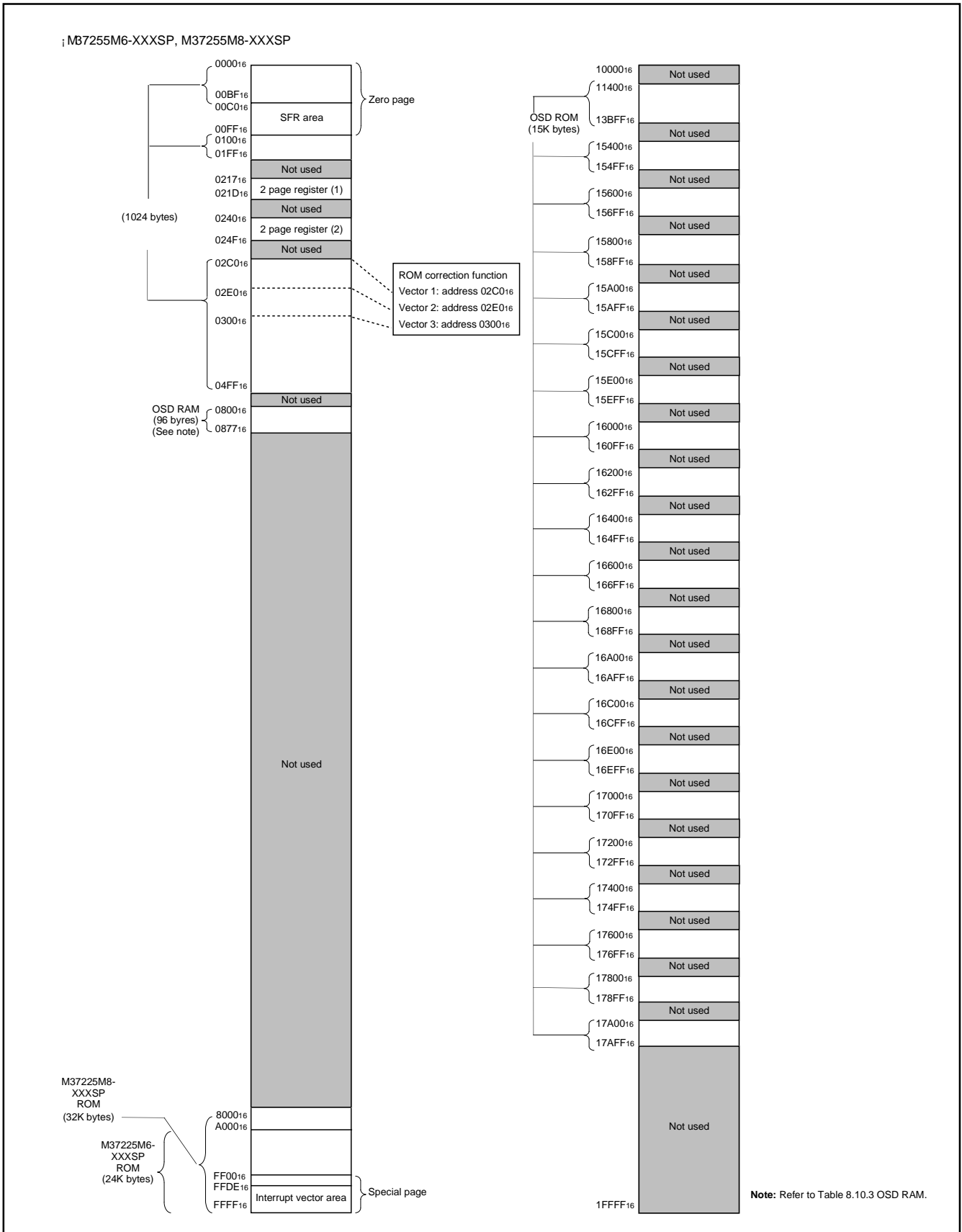


Fig. 8.2.1 Memory Map (M37225M6-XXXSP, M37225M8-XXXSP)

M37225M6-XXXSP, M37225M8-XXXSP M37225ECSP

SINGLE-CHIP 8-BIT CMOS MICROCOMPUTER for VOLTAGE SYNTHESIZER
with ON-SCREEN DISPLAY CONTROLLER

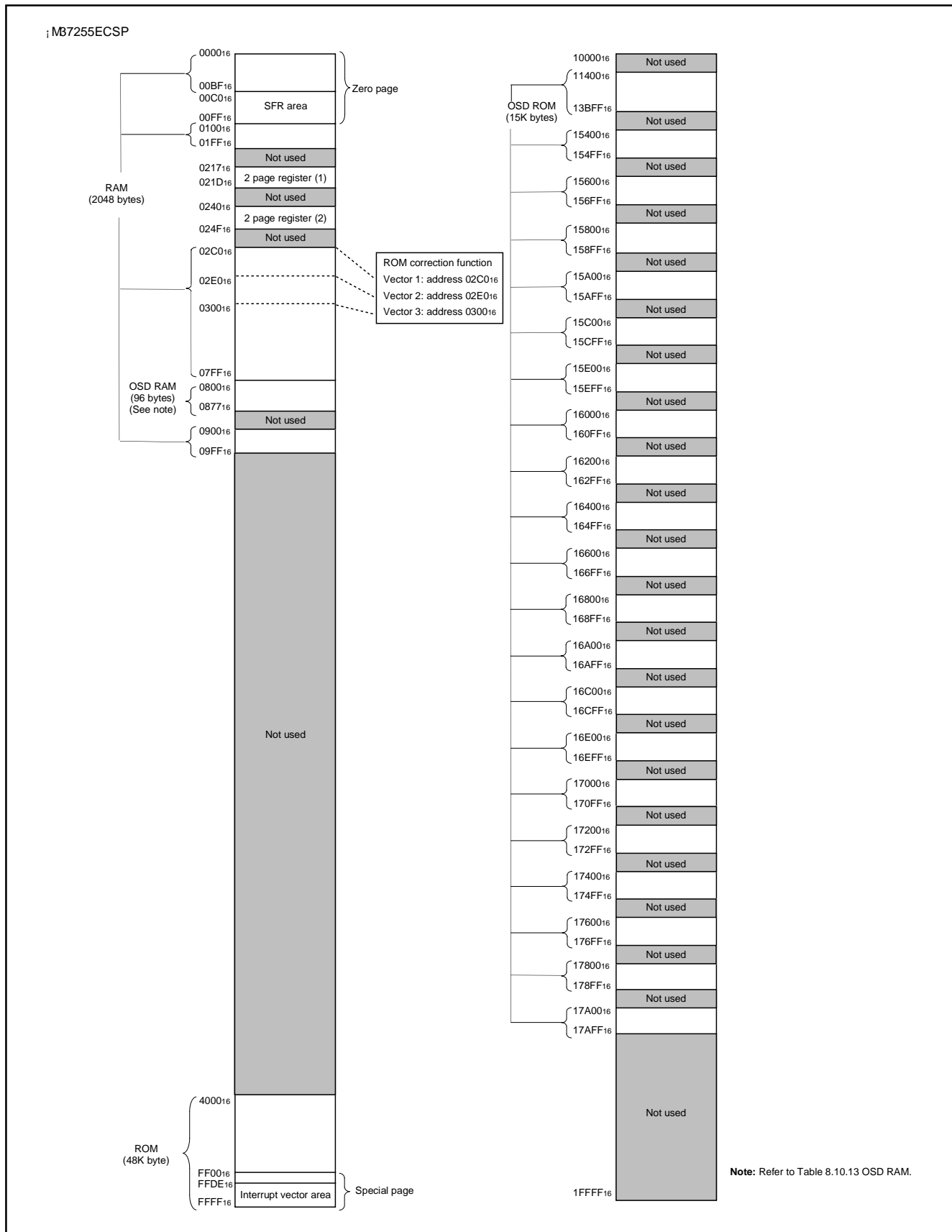


Fig. 8.2.2 Memory Map (M37225ECSP)

M37225M6-XXXSP, M37225M8-XXXSP M37225ECSP

SINGLE-CHIP 8-BIT CMOS MICROCOMPUTER for VOLTAGE SYNTHESIZER
with ON-SCREEN DISPLAY CONTROLLER

■ SFR area (addresses C0₁₆ to DF₁₆)

Bit allocation



: No function bit

: Fix to this bit to "0"
(do not write to "1")

: Fix to this bit to "1"
(do not write to "0")

State immediately after reset

: "0" immediately after reset

: "1" immediately after reset

: Indeterminate immediately after reset

Address	Register	Bit allocation								State immediately after reset							
		b7							b0	b7							b0
C0 ₁₆	Port P0 (P0)									?							
C1 ₁₆	Port P0 direction register (D0)									00 ₁₆							
C2 ₁₆	Port P1 (P1)									?							
C3 ₁₆	Port P1 direction register (D1)									00 ₁₆							
C4 ₁₆	Port P2 (P2)									?							
C5 ₁₆	Port P2 direction register (D2)									00 ₁₆							
C6 ₁₆	Port P3 (P3)			P35	P34IN	P33IN	P32	P31	P30	?							
C7 ₁₆	Port P3 direction register (D3)	P31S	P30S	P35D			P32D	P31D	P30D	0	0	0	?	?	0	0	0
C8 ₁₆										?							
C9 ₁₆	Port P35 output mode control register (P3S)	0	0	P35S						0	0	0	0	?	?	?	?
CA ₁₆	Port P5 (P5)			P55 OUT	P54 OUT	P53 OUT	P52 OUT	P51 IN	P50 IN	0	0	?	?	?	?	?	?
CB ₁₆	OSD port control register (PF)	0	OUT2 SEL	P55 SEL	P54 SEL	P53 SEL	P52 SEL	0	0	00 ₁₆							
CC ₁₆	Test register					1	1			0	0	0	0	1	1	?	?
CD ₁₆	Interrupt input polarity register (IP)	0	0	POL3	POL2	POL1	0	OCG1	OCG0	00 ₁₆							
CE ₁₆	DA1-H register (DA1-H)									?							
CF ₁₆	DA1-L register (DA1-L)									0	0	?	?	?	?	?	?
D0 ₁₆	PWM0 register (PWM0)									?							
D1 ₁₆	PWM1 register (PWM1)									?							
D2 ₁₆	PWM2 register (PWM2)									?							
D3 ₁₆	PWM3 register (PWM3)									?							
D4 ₁₆	PWM4 register (PWM4)									?							
D5 ₁₆	PWM output control register 1 (PW)	PW7	PW6	PW5	PW4	PW3	PW2	PW1	PW0	00 ₁₆							
D6 ₁₆	PWM output control register 2 (PN)	0	0	PN5	PN4	PN3	PN2	0	0	00 ₁₆							
D7 ₁₆	I ² C data shift register (S0)	D7	D6	D5	D4	D3	D2	D1	D0	?							
D8 ₁₆	I ² C address register (S0D)	SAD6	SAD5	SAD4	SAD3	SAD2	SAD1	SAD0	RBW	00 ₁₆							
D9 ₁₆	I ² C status register (S1)	MST	TRX	BB	PIN	AL	AAS	AD0	LRB	0	0	0	1	0	0	0	?
DA ₁₆	I ² C control register (S1D)	BSEL1	BSEL0	¹⁰ BIT SAD	ALS	ESO	BC2	BC1	BC0	00 ₁₆							
DB ₁₆	I ² C clock control register (S2)	ACK	ACK BIT	FAST MODE	CCR4	CCR3	CCR2	CCR1	CCR0	00 ₁₆							
DC ₁₆	Serial I/O mode register (SM)		SM6	SM5	0	SM3	SM2	SM1	SM0	00 ₁₆							
DD ₁₆	Serial I/O register (SIO)									?							
DE ₁₆	AD conversion register (AD)									?							
DF ₁₆	AD control register (ADCON)	0		0	ADVREF	ADSTR	ADIN2	ADIN1	ADIN0	08 ₁₆							

Fig. 8.2.3 Memory Map of Special Function Register (SFR) (1)

M37225M6-XXXSP, M37225M8-XXXSP M37225ECSP

SINGLE-CHIP 8-BIT CMOS MICROCOMPUTER for VOLTAGE SYNTHESIZER
with ON-SCREEN DISPLAY CONTROLLER

■ SFR area (addresses E0₁₆ to FF₁₆)

Bit allocation

: } Function bit
Name : }

: No function bit

0 : Fix to this bit to "0"
(do not write to "1")

1 : Fix to this bit to "1"
(do not write to "0")

State immediately after reset

0 : "0" immediately after reset

1 : "1" immediately after reset

? : Indeterminate immediately after reset

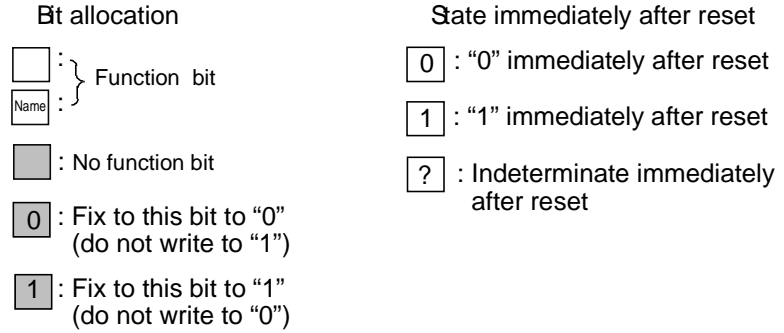
Address	Register	Bit allocation								State immediately after reset																	
		b7				b0				b7				b0													
E0 ₁₆	Block H register (BHP)			BHP5	BHP4	BHP3	BHP2	BHP1	BHP0											00 ₁₆							
E1 ₁₆	Block 1V register (B1VP)	B1VP7	B1VP6	B1VP5	B1VP4	B1VP3	B1VP2	B1VP1	B1VP0											?							
E2 ₁₆	Block 2V register (B2VP)	B2VP7	B2VP6	B2VP5	B2VP4	B2VP3	B2VP2	B2VP1	B2VP0											?							
E3 ₁₆	SPRITE control register (SC)	SC7	SC6	SC5	SC4	SC3	SC2	SC1	SC0											00 ₁₆							
E4 ₁₆	SPRITE H register (SHP)	SHP7	SHP6	SHP5	SHP4	SHP3	SHP2	SHP1	SHP0											00 ₁₆							
E5 ₁₆	SPRITE V register (SVP)	SVP7	SVP6	SVP5	SVP4	SVP3	SVP2	SVP1	SVP0											?							
E6 ₁₆	Color register 1 (CO1)		CO16	CO15	CO14	CO13	CO12	CO11	CO10			0	?	?	?	?	?	?	?	0 ? ? ? ? ? ? ? ?							
E7 ₁₆	Color register 2 (CO2)		CO26	CO25	CO24	CO23	CO22	CO21	CO20			0	?	?	?	?	?	?	?	0 ? ? ? ? ? ? ? ?							
E8 ₁₆	Color register 3 (CO3)		CO36	CO35	CO34	CO33	CO32	CO31	CO30			0	?	?	?	?	?	?	?	0 ? ? ? ? ? ? ? ?							
E9 ₁₆	Color register 4 (CO4)		CO46	CO45	CO44	CO43	CO42	CO41	CO40			0	?	?	?	?	?	?	?	0 ? ? ? ? ? ? ? ?							
EA ₁₆	OSD control register (OC)	OC7	OC6	OC5	OC4	OC3	OC2	OC1	OC0											00 ₁₆							
EB ₁₆	OSD I/O polarity control register (OPC)	OPC7	OPC6	OPC5	OPC4	OPC3	OPC2	OPC1	OPC0											00 ₁₆							
EC ₁₆	Color register 5 (CO5)		CO56	CO55	CO54	CO53	CO52	CO51	CO50			0	?	?	?	?	?	?	?	0 ? ? ? ? ? ? ? ?							
ED ₁₆	Color register 6 (CO6)		CO66	CO65	CO64	CO63	CO62	CO61	CO60			0	?	?	?	?	?	?	?	0 ? ? ? ? ? ? ? ?							
EE ₁₆	Color register 7 (CO7)		CO76	CO75	CO74	CO73	CO72	CO71	CO70			0	?	?	?	?	?	?	?	0 ? ? ? ? ? ? ? ?							
EF ₁₆	Color register 8 (CO8)		CO86	CO85	CO84	CO83	CO82	CO81	CO80			0	?	?	?	?	?	?	?	0 ? ? ? ? ? ? ? ?							
F0 ₁₆	Timer 1 (T1)									FF ₁₆																	
F1 ₁₆	Timer 2 (T2)									07 ₁₆																	
F2 ₁₆	Timer 3 (T3)									FF ₁₆																	
F3 ₁₆	Timer 4 (T4)									07 ₁₆																	
F4 ₁₆	Timer mode register 1 (TM1)			TM15	TM14	TM13	TM12	TM11	TM10											00 ₁₆							
F5 ₁₆	Timer mode register 2 (TM2)			TM25	TM24	TM23	TM22	TM21	TM20											00 ₁₆							
F6 ₁₆	PWM5 register (PWM5)									?																	
F7 ₁₆	Test register									00 ₁₆																	
F8 ₁₆	Test register									?																	
F9 ₁₆	Block 1 control register (B1C)				B1C4	B1C3	B1C2	B1C1	B1C0			0	0	0	?	?	?	?	?	0 0 0 ? ? ? ? ?							
FA ₁₆	Block 2 control register (B2C)				B2C4	B2C3	B2C2	B2C1	B2C0			0	0	0	?	?	?	?	?	0 0 0 ? ? ? ? ?							
FB ₁₆	CPU mode register (CM)	0	0	1	1	1	CM2	0	0									3C ₁₆									
FC ₁₆	Interrupt request register 1 (IREQ1)	IT3R	IICR	VSCR	OSDR	TM4R	TM3R	TM2R	TM1R									00 ₁₆									
FD ₁₆	Interrupt request register 2 (IREQ2)	0	ADR		MSR	SPR	S1R	IT2R	IT1R									00 ₁₆									
FE ₁₆	Interrupt control register 1 (ICON1)	IT3E	IICE	VSCOE	OSDE	TM4E	TM3E	TM2E	TM1E									00 ₁₆									
FF ₁₆	Interrupt control register 2 (ICON2)		ADE	0	MSE	SPE	S1E	IT2E	IT1E									00 ₁₆									

Fig. 8.2.4 Memory Map of Special Function Register (SFR) (2)

M37225M6-XXXSP, M37225M8-XXXSP M37225ECSP

SINGLE-CHIP 8-BIT CMOS MICROCOMPUTER for VOLTAGE SYNTHESIZER
with ON-SCREEN DISPLAY CONTROLLER

■ 2 page register area (addresses 210₁₆ to 21F₁₆, 240₁₆ to 24F₁₆)



Address	Register	Bit allocation								State immediately after reset															
		b7							b0	b7							b0								
210 ₁₆										?															
211 ₁₆										?															
212 ₁₆										?															
213 ₁₆										?															
214 ₁₆										?															
215 ₁₆										?															
216 ₁₆										?															
217 ₁₆	ROM correction address 1 (high-order)									00 ₁₆															
218 ₁₆	ROM correction address 1 (low-order)									00 ₁₆															
219 ₁₆	ROM correction address 2 (high-order)									00 ₁₆															
21A ₁₆	ROM correction address 2 (low-order)									00 ₁₆															
21B ₁₆	ROM correction enable register (RCR)	0	0	0	0	0	0	RCR2	RCR1	RCR0								00 ₁₆							
21C ₁₆	ROM correction address 3 (high-order)									00 ₁₆															
21D ₁₆	ROM correction address 3 (low-order)									00 ₁₆															
21E ₁₆										?															
21F ₁₆										?															
240 ₁₆	Left border control register (LBR)	LBR6	LBR5	LBR4	LBR3	LBR2	LBR1	LBR0								00 ₁₆									
241 ₁₆	Right border control register (RBR)	RBR6	RBR5	RBR4	RBR3	RBR2	RBR1	RBR0								00 ₁₆									
242 ₁₆										?															
243 ₁₆										?															
244 ₁₆										?															
245 ₁₆	Top border control register (TBR)	TBR7	TBR6	TBR5	TBR4	TBR3	TBR2	TBR1	TBR0								?								
246 ₁₆	Bottom border control register (BBR)	BBR7	BBR6	BBR5	BBR4	BBR3	BBR2	BBR1	BBR0								?								
247 ₁₆	Test register	00 ₁₆																00 ₁₆							
248 ₁₆										?															
249 ₁₆										?															
24A ₁₆										?															
24B ₁₆										?															
24C ₁₆										?															
24D ₁₆										?															
24E ₁₆	DA2-H register (DA2H)																	?							
24F ₁₆	DA2-L register (DA2L)													0	0	?	?	?	?	?	?	?	?		

Fig. 8.2.5 Memory Map of 2 Page Register Area

M37225M6-XXXSP, M37225M8-XXXSP M37225ECSP

SINGLE-CHIP 8-BIT CMOS MICROCOMPUTER for VOLTAGE SYNTHESIZER
with ON-SCREEN DISPLAY CONTROLLER

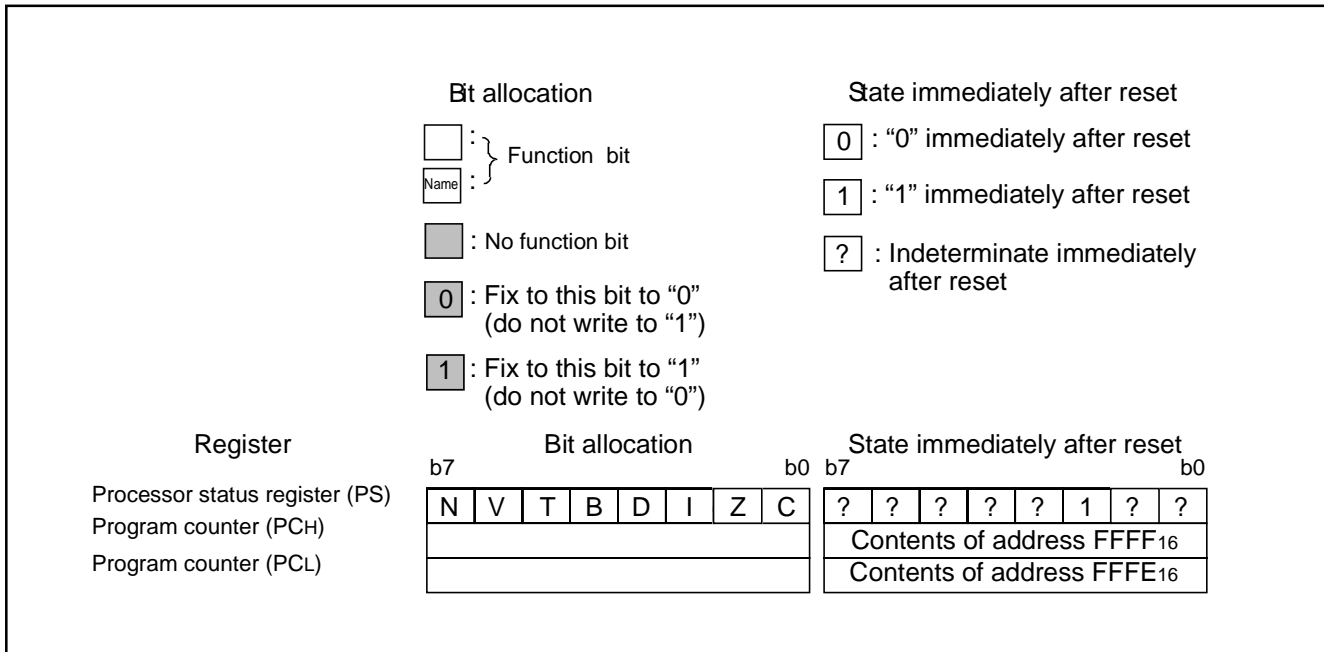


Fig. 8.2.6 Internal State of Processor Status Register and Program Counter at Reset

M37225M6-XXXSP, M37225M8-XXXSP M37225ECSP

SINGLE-CHIP 8-BIT CMOS MICROCOMPUTER for VOLTAGE SYNTHESIZER
with ON-SCREEN DISPLAY CONTROLLER

8.3 INTERRUPTS

Interrupts can be caused by 16 different sources consisting of 3 external, 14 internal, 1 software, and reset. Interrupts are vectored interrupts with priorities as shown in Table 8.3.1. Reset is also included in the table because its operation is similar to an interrupt.

When an interrupt is accepted,

- ① The contents of the program counter and processor status register are automatically stored into the stack.
- ② The interrupt disable flag I is set to "1" and the corresponding interrupt request bit is set to "0."
- ③ The jump destination address stored in the vector address enters the program counter.

Other interrupts are disabled when the interrupt disable flag is set to "1."

All interrupts except the BRK instruction interrupt have an interrupt request bit and an interrupt enable bit. The interrupt request bits are in interrupt request registers 1 and 2 and the interrupt enable bits are in interrupt control registers 1 and 2. Figures 8.3.2 to 8.3.6 show the interrupt-related registers.

Interrupts other than the BRK instruction interrupt and reset are accepted when the interrupt enable bit is "1," interrupt request bit is "1," and the interrupt disable flag is "0." The interrupt request bit can be set to "0" by a program, but not set to "1." The interrupt enable bit can be set to "0" and "1" by a program.

Reset is treated as a non-maskable interrupt with the highest priority.

Figure 8.3.1 shows interrupt control.

8.3.1 Interrupt Causes

(1) VSYNC, OSD, SPRITE OSD Interrupts

The VSYNC interrupt is an interrupt request synchronized with the vertical sync signal.

The OSD interrupt occurs after character block display to the CRT is completed.

The SPRITE OSD interrupt occurs at the completion of SPRITE display.

(2) INT1 to INT3 External Interrupts

The INT1 to INT3 interrupts are external interrupt inputs, the system detects that the level of a pin changes from LOW to HIGH or from HIGH to LOW, and generates an interrupt request. The input active edge can be selected by bits 3 to 5 of the interrupt input polarity register (address 00CD16) : when this bit is "0," a change from LOW to HIGH is detected; when it is "1," a change from HIGH to LOW is detected. Note that both bits are cleared to "0" at reset.

(3) Timers 1 to 4 Interrupts

An interrupt is generated by an overflow of timers 1 to 4.

Table 8.3.1 Interrupt Vector Addresses and Priority

Priority	Interrupt Source	Vector Addresses	Remarks
1	Reset	FFFF ₁₆ , FFFE ₁₆	Non-maskable
2	OSD interrupt	FFFD ₁₆ , FFFC ₁₆	
3	INT2 external interrupt	FFFB ₁₆ , FFFA ₁₆	Active edge selectable
4	INT1 external interrupt	FFF9 ₁₆ , FFF8 ₁₆	Active edge selectable
5	SPRITE OSD interrupt	FFF7 ₁₆ , FFF6 ₁₆	
6	Timer 4 interrupt	FFF5 ₁₆ , FFF4 ₁₆	
7	f(XIN)/4096 interrupt	FFF3 ₁₆ , FFF2 ₁₆	
8	VSYNC interrupt	FFF1 ₁₆ , FFF0 ₁₆	
9	Timer 3 interrupt	FFEF ₁₆ , FFEE ₁₆	
10	Timer 2 interrupt	FFED ₁₆ , FFEC ₁₆	
11	Timer 1 interrupt	FFEB ₁₆ , FFEA ₁₆	
12	Serial I/O interrupt	FFE9 ₁₆ , FFE8 ₁₆	
13	Multi-master I ² C-BUS interface interrupt	FFE7 ₁₆ , FFE6 ₁₆	
14	INT3 external interrupt	FFE5 ₁₆ , FFE4 ₁₆	Active edge selectable
15	A-D conversion interrupt	FFE3 ₁₆ , FFE2 ₁₆	
16	BRK instruction interrupt	FFDF ₁₆ , FFDE ₁₆	Non-maskable

M37225M6-XXXSP, M37225M8-XXXSP M37225ECSP

SINGLE-CHIP 8-BIT CMOS MICROCOMPUTER for VOLTAGE SYNTHESIZER
with ON-SCREEN DISPLAY CONTROLLER

(4) Serial I/O Interrupt

This is an interrupt request from the clock synchronous serial I/O function.

(5) $f(X_{IN})/4096$ Interrupt

The $f(X_{IN})/4096$ interrupt occurs regularly with a $f(X_{IN})/4096$ period. Set bit 0 of the PWM mode register 1 to "0."

(6) Multi-master I²C-BUS Interface Interrupt

This is an interrupt request related to the multi-master I²C-BUS interface.

(7) A-D Conversion Interrupt

The A-D conversion interrupt occurs at the completion of A-D conversion.

(8) BRK Instruction Interrupt

This software interrupt has the least significant priority. It does not have a corresponding interrupt enable bit, and it is not affected by the interrupt disable flag I (non-maskable).

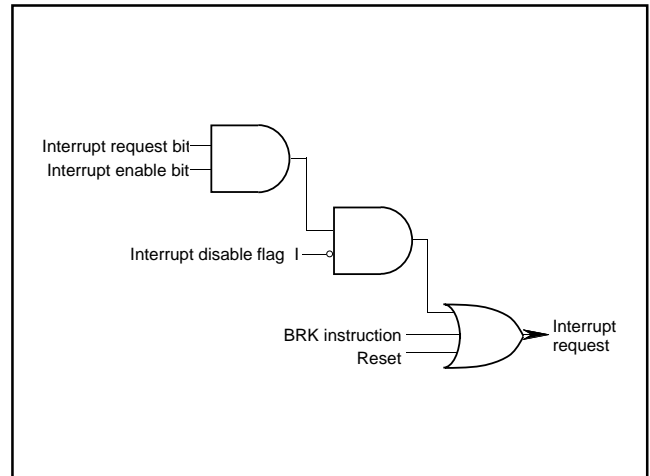
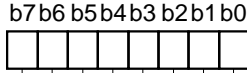


Fig. 8.3.1 Interrupt Control

**M37225M6-XXXSP, M37225M8-XXXSP
M37225ECSP**

SINGLE-CHIP 8-BIT CMOS MICROCOMPUTER for VOLTAGE SYNTHESIZER
with ON-SCREEN DISPLAY CONTROLLER

Interrupt Request Register 1



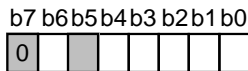
Interrupt request register 1 (IREQ1) [Address 00FC16]

B	Name	Functions	After reset	R	W
0	Timer 1 interrupt request bit (TM1R)	0 : No interrupt request issued 1 : Interrupt request issued	0	R	*
1	Timer 2 interrupt request bit (TM2R)	0 : No interrupt request issued 1 : Interrupt request issued	0	R	*
2	Timer 3 interrupt request bit (TM3R)	0 : No interrupt request issued 1 : Interrupt request issued	0	R	*
3	Timer 4 interrupt request bit (TM4R)	0 : No interrupt request issued 1 : Interrupt request issued	0	R	*
4	OSD interrupt request bit (OSDR)	0 : No interrupt request issued 1 : Interrupt request issued	0	R	*
5	VSYNC interrupt request bit (VSCR)	0 : No interrupt request issued 1 : Interrupt request issued	0	R	*
6	Multi-master I ² C-BUS interface interrupt request bit (IICR)	0 : No interrupt request issued 1 : Interrupt request issued	0	R	*
7	INT3 external interrupt request bit (IT3R)	0 : No interrupt request issued 1 : Interrupt request issued	0	R	*

*: "0" can be set by software, but "1" cannot be set.

Fig. 8.3.2 Interrupt Request Register 1

Interrupt Request Register 2



Interrupt request register 2 (IREQ2) [Address 00FD16]

B	Name	Functions	After reset	R	W
0	INT1 external interrupt request bit (IT1R)	0 : No interrupt request issued 1 : Interrupt request issued	0	R	*
1	INT2 external interrupt request bit (IT2R)	0 : No interrupt request issued 1 : Interrupt request issued	0	R	*
2	Serial I/O interrupt request bit (S1R)	0 : No interrupt request issued 1 : Interrupt request issued	0	R	*
3	SPRITE OSD interrupt request bit (SPR)	0 : No interrupt request issued 1 : Interrupt request issued	0	R	*
4	f(XIN)/4096 interrupt request bit (MSR)	0 : No interrupt request issued 1 : Interrupt request issued	0	R	*
5	Nothing is assigned. This bit is a write disable bit. When this bit is read out, the value is "0."		0	R	—
6	A-D conversion interrupt request bit (ADR)	0 : No interrupt request issued 1 : Interrupt request issued	0	R	*
7	Fix this bit to "0."		0	R	W

*: "0" can be set by software, but "1" cannot be set.

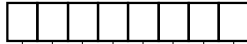
Fig. 8.3.3 Interrupt Request Register 2

**M37225M6-XXXSP, M37225M8-XXXSP
M37225ECSP**

SINGLE-CHIP 8-BIT CMOS MICROCOMPUTER for VOLTAGE SYNTHESIZER
with ON-SCREEN DISPLAY CONTROLLER

Interrupt Control Register 1

b7 b6 b5 b4 b3 b2 b1 b0



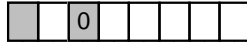
Interrupt control register 1 (ICON1) [Address 00FE₁₆]

B	Name	Functions	After reset	R	W
0	Timer 1 interrupt enable bit (TM1E)	0 : Interrupt disabled 1 : Interrupt enabled	0	R	W
1	Timer 2 interrupt enable bit (TM2E)	0 : Interrupt disabled 1 : Interrupt enabled	0	R	W
2	Timer 3 interrupt enable bit (TM3E)	0 : Interrupt disabled 1 : Interrupt enabled	0	R	W
3	Timer 4 interrupt enable bit (TM4E)	0 : Interrupt disabled 1 : Interrupt enabled	0	R	W
4	OSD interrupt enable bit (OSDE)	0 : Interrupt disabled 1 : Interrupt enabled	0	R	W
5	VSYNC interrupt enable bit (VSCE)	0 : Interrupt disabled 1 : Interrupt enabled	0	R	W
6	Multi-master I ² C-BUS interface interrupt enable bit (IICE)	0 : Interrupt disabled 1 : Interrupt enabled	0	R	W
7	INT3 external interrupt enable bit (IT3E)	0 : Interrupt disabled 1 : Interrupt enabled	0	R	W

Fig. 8.3.4 Interrupt Control Register 1

Interrupt Control Register 2

b7 b6 b5 b4 b3 b2 b1 b0



Interrupt control register 2 (ICON2) [Address 00FF₁₆]

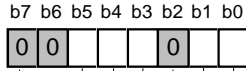
B	Name	Functions	After reset	R	W
0	INT1 external interrupt enable bit (IT1E)	0 : Interrupt disabled 1 : Interrupt enabled	0	R	W
1	INT2 external interrupt enable bit (IT2E)	0 : Interrupt disabled 1 : Interrupt enabled	0	R	W
2	Serial I/O interrupt enable bit (S1E)	0 : Interrupt disabled 1 : Interrupt enabled	0	R	W
3	SPRITE OSD interrupt enable bit (SPE)	0 : Interrupt disabled 1 : Interrupt enabled	0	R	W
4	f(X _{IN})/4096 interrupt enable bit (MSE)	0 : Interrupt disabled 1 : Interrupt enabled	0	R	W
5	Fix this bit to "0."		0	R	W
6	A-D conversion interrupt enable bit (ADE)	0 : Interrupt disabled 1 : Interrupt enabled	0	R	W
7	Nothing is assigned. This bit is a write disable bit. When this bit is read out, the value is "0."		0	R	—

Fig. 8.3.5 Interrupt Control Register 2

**M37225M6-XXXSP, M37225M8-XXXSP
M37225ECSP**

SINGLE-CHIP 8-BIT CMOS MICROCOMPUTER for VOLTAGE SYNTHESIZER
with ON-SCREEN DISPLAY CONTROLLER

Interrupt Input Polarity Register



Interrupt input polarity register (IP) [Address 00CD₁₆]

b	Name	Function	After reset	R	W	
0, 1	OSD clock selection bits (OCG0, OCG1)	b1 b0		0	R	W
		0 0	The clock for OSD is supplied by connecting RC or LC across the pins OSC1 and OSC2. However, it is not corresponding to the bi-scan mode.			
		0 1	Since the main clock is used as the clock for OSD, the oscillation frequency is limited. Because of this, the character size in width (horizontal) direction is also limited. In this case, pins OSC1 and OSC2 are also used as input ports P3 ₃ and P3 ₄ respectively. OSD oscillation frequency = $f(X_{IN})$			
		1 0	The clock for OSD is supplied by connecting LC across the pins OSC1 and OSC2. In the bi-scan mode, be sure to set this.			
1 1	The clock for OSD is supplied by connecting the following across the pins OSC1 and OSC2. However, it is not corresponding to the bi-scan mode. <ul style="list-style-type: none"> • a ceramic resonator only for OSD and a feedback resistor • a quartz-crystal oscillator only for OSD and a feedback resistor 					
2	Fix this bit to "0."		0	R	W	
3	INT1 polarity switch bit (POL1)	0 : Positive polarity 1 : Negative polarity	0	R	W	
4	INT2 polarity switch bit (POL2)	0 : Positive polarity 1 : Negative polarity	0	R	W	
5	INT3 polarity switch bit (POL3)	0 : Positive polarity 1 : Negative polarity	0	R	W	
6, 7	Fix these bits to "0."		0	R	W	

Fig. 8.3.6 Interrupt Input Polarity Register

M37225M6-XXXSP, M37225M8-XXXSP M37225ECSP

SINGLE-CHIP 8-BIT CMOS MICROCOMPUTER for VOLTAGE SYNTHESIZER
with ON-SCREEN DISPLAY CONTROLLER

8.4 TIMERS

This microcomputer has 4 timers: timers 1 to 4. All timers are 8-bit timers with the 8-bit timer latch. The timer block diagram is shown in Figure 8.4.3.

All of the timers count down and their divide ratio is $1/(n+1)$, where n is the value of timer latch. By writing a count value to the corresponding timer latch (addresses 00F0₁₆ to 00F3₁₆: timers 1 to 4), the value is also set to a timer, simultaneously.

The count value is decremented by 1. The timer interrupt request bit is set to "1" by a timer overflow at the next count pulse, after the count value reaches "00₁₆."

8.4.1 Timer 1

Timer 1 can select one of the following count sources:

- $f(XIN)/16$
- $f(XIN)/4096$ or $f(XCIN)/4096$

The count source of timer 1 is selected by setting bit 0 of timer mode register 1 (address 00F4₁₆).

Timer 1 interrupt request occurs at timer 1 overflow.

8.4.2 Timer 2

Timer 2 can select one of the following count sources:

- $f(XIN)/16$
- Timer 1 overflow signal
- External clock from the TIM2 pin

The count source of timer 2 is selected by setting bits 4 and 1 of timer mode register 1 (address 00F4₁₆). When timer 1 overflow signal is a count source for the timer 2, the timer 1 functions as an 8-bit prescaler.

Timer 2 interrupt request occurs at timer 2 overflow.

8.4.3 Timer 3

Timer 3 can select one of the following count sources:

- $f(XIN)/16$
- External clock from the HSYNC pin
- External clock from the TIM3 pin

The count source of timer 3 is selected by setting bits 5 and 0 of timer mode register 2 (address 00F5₁₆).

Timer 3 interrupt request occurs at timer 3 overflow.

8.4.4 Timer 4

Timer 4 can select one of the following count sources:

- $f(XIN)/16$
- $f(XIN)/2$
- Timer 3 overflow signal

The count source of timer 4 is selected by setting bits 1 and 4 of timer mode register 2 (address 00F5₁₆). When timer 3 overflow signal is a count source for the timer 4, the timer 3 functions as an 8-bit prescaler.

Timer 4 interrupt request occurs at timer 4 overflow.

At reset, timers 3 and 4 are connected by hardware and "FF₁₆" is automatically set in timer 3; "07₁₆" in timer 4. The $f(XIN)/16$ is selected as the timer 3 count source. The internal reset is released by timer 4 overflow in this state and the internal clock is connected.

At execution of the STP instruction, timers 3 and 4 are connected by hardware and "FF₁₆" is automatically set in timer 3; "07₁₆" in timer 4. However, the $f(XIN)/16$ is not selected as the timer 3 count source. So set both bit 0 of timer mode register 2 (address 00F5₁₆) and bit 6 at address 00C7₁₆ to "0" before execution of the STP instruction ($f(XIN)/16$ is selected as the timer 3 count source). The internal STP state is released by timer 4 overflow in this state and the internal clock is connected.

As a result of the above procedure, the program can start under a stable clock.

However, when setting "1" to bit 5 of timer mode register 1 (address 00F4₁₆), timers 3 and 4 are not set the above value, the STP state is set by executing the STP instruction. This allows to program the time to return from the STP state.

The timer-related registers is shown in Figures 8.4.1 and 8.4.2.

**M37225M6-XXXSP, M37225M8-XXXSP
M37225ECSP**

SINGLE-CHIP 8-BIT CMOS MICROCOMPUTER for VOLTAGE SYNTHESIZER
with ON-SCREEN DISPLAY CONTROLLER

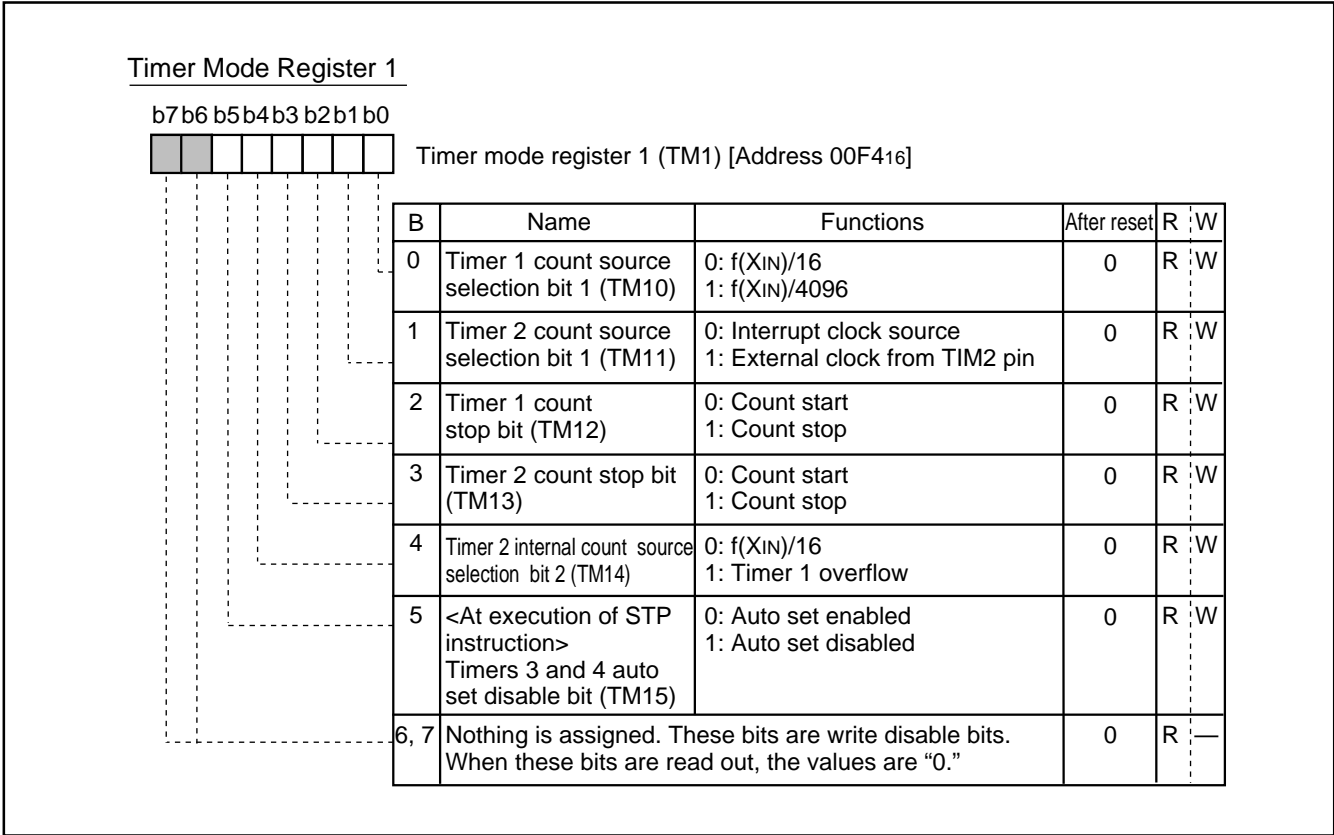


Fig. 8.4.1 Timer Mode Register 1

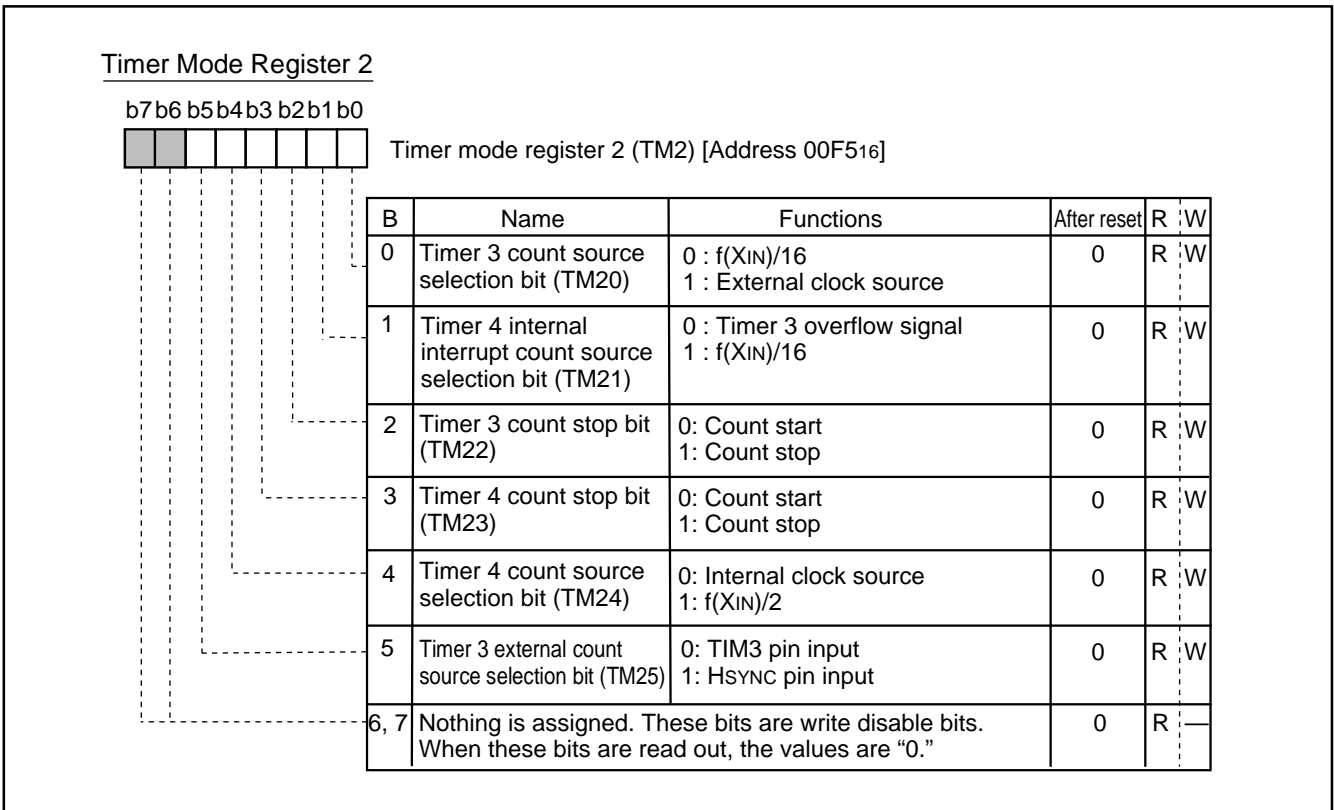


Fig. 8.4.2 Timer Mode Register 2

M37225M6-XXXSP, M37225M8-XXXSP M37225ECSP

SINGLE-CHIP 8-BIT CMOS MICROCOMPUTER for VOLTAGE SYNTHESIZER
with ON-SCREEN DISPLAY CONTROLLER

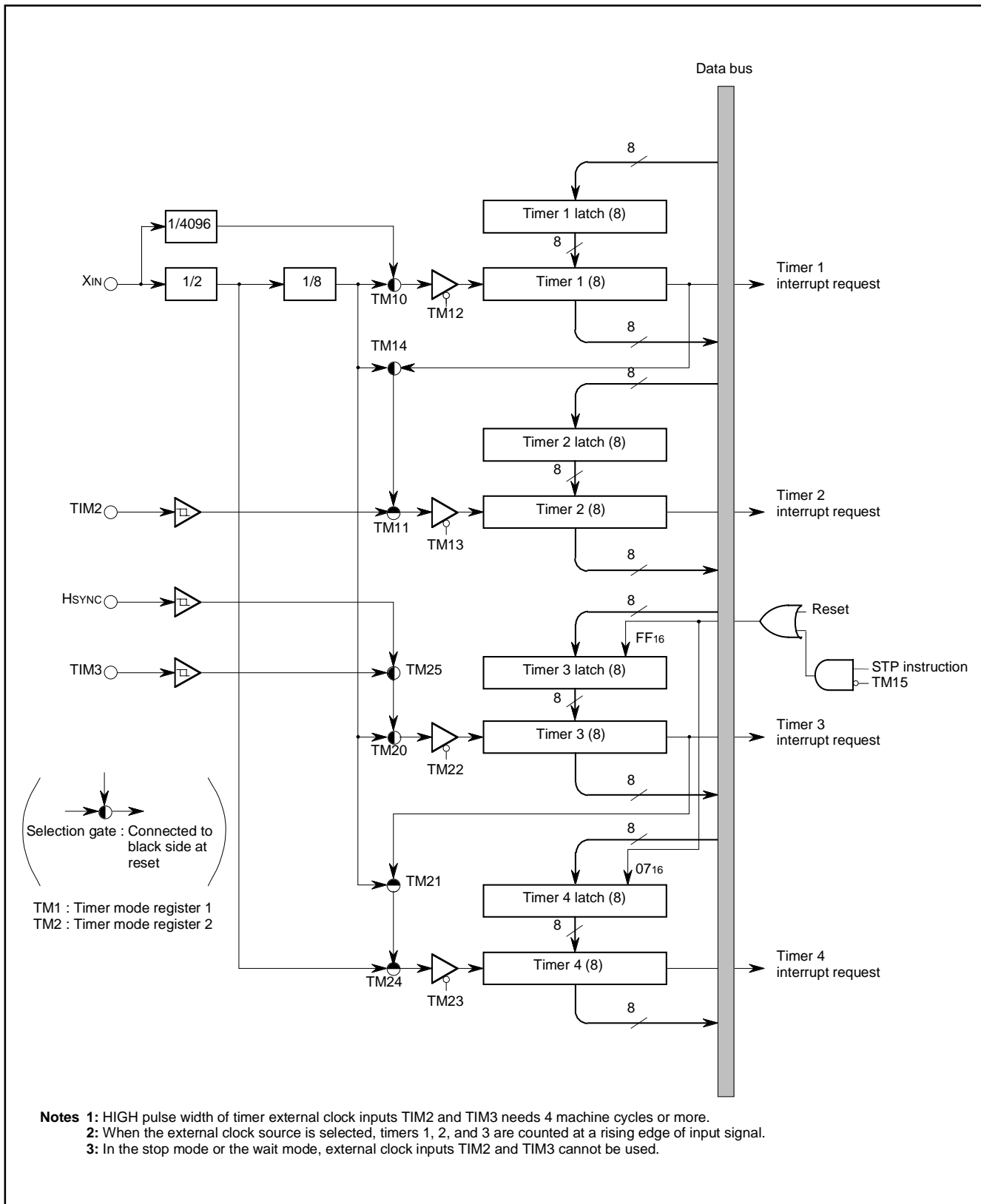


Fig. 8.4.3 Timer Block Diagram

M37225M6-XXXSP, M37225M8-XXXSP M37225ECSP

SINGLE-CHIP 8-BIT CMOS MICROCOMPUTER for VOLTAGE SYNTHESIZER
with ON-SCREEN DISPLAY CONTROLLER

8.5 SERIAL I/O

This microcomputer has a built-in serial I/O which can either transmit or receive 8-bit data serially in the clock synchronous mode.

The serial I/O block diagram is shown in Figure 8.5.1. The synchronous clock I/O pin (SCLK), and data output pin (SOUT) also function as port P4, data input pin (SIN) also functions as port P2.

Bit 3 of the serial I/O mode register (address 00DC16) selects whether the synchronous clock is supplied internally or externally (from the SCLK pin). When an internal clock is selected, bits 1 and 0 select whether $f(XIN)$ or $f(XCIN)$ is divided by 4, 16, 32, or 64. To use SIN pin for serial I/O, set the corresponding bit of the port P2 direction register (address 00C516) to "0."

The operation of the serial I/O is described below. The operation of the serial I/O differs depending on the clock source; external clock or internal clock.

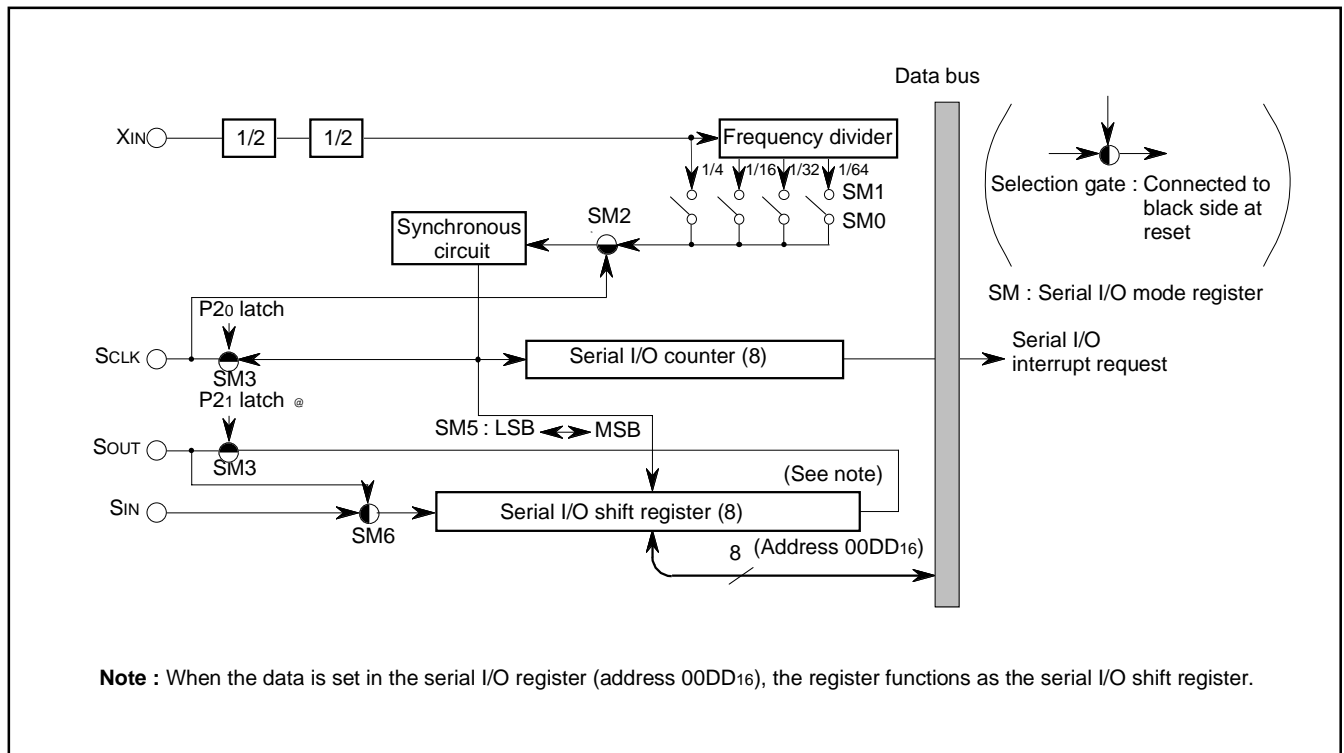


Fig. 8.5.1 Serial I/O Block Diagram

M37225M6-XXXSP, M37225M8-XXXSP M37225ECSP

SINGLE-CHIP 8-BIT CMOS MICROCOMPUTER for VOLTAGE SYNTHESIZER
with ON-SCREEN DISPLAY CONTROLLER

Internal clock : The serial I/O counter is set to "7" during the write cycle into the serial I/O register (address 00DD16), and the transfer clock goes HIGH forcibly. At each falling edge of the transfer clock after the write cycle, serial data is output from the SOUT pin. Transfer direction can be selected by bit 5 of the serial I/O mode register. At each rising edge of the transfer clock, data is input from the SIN pin and data in the serial I/O register is shifted 1 bit. After the transfer clock has counted 8 times, the serial I/O counter becomes "0" and the transfer clock stops at HIGH. At this time the interrupt request bit is set to "1."

External clock : The an external clock is selected as the clock source, the interrupt request is set to "1" after the transfer clock has been counted 8 counts. However, transfer operation does not stop, so the clock should be controlled externally. Use the external clock of 1 MHz or less with a duty cycle of 50%. The serial I/O timing is shown in Figure 8.5.2. When using an external clock for transfer, the external clock must be held at HIGH for initializing the serial I/O counter. When switching between an internal clock and an external clock, do not switch during transfer. Also, be sure to initialize the serial I/O counter after switching.

- Notes 1:** On programming, note that the serial I/O counter is set by writing to the serial I/O register with the bit managing instructions, such as SEB and CLB.
- 2:** When an external clock is used as the synchronous clock, write transmit data to the serial I/O register when the transfer clock input level is HIGH.

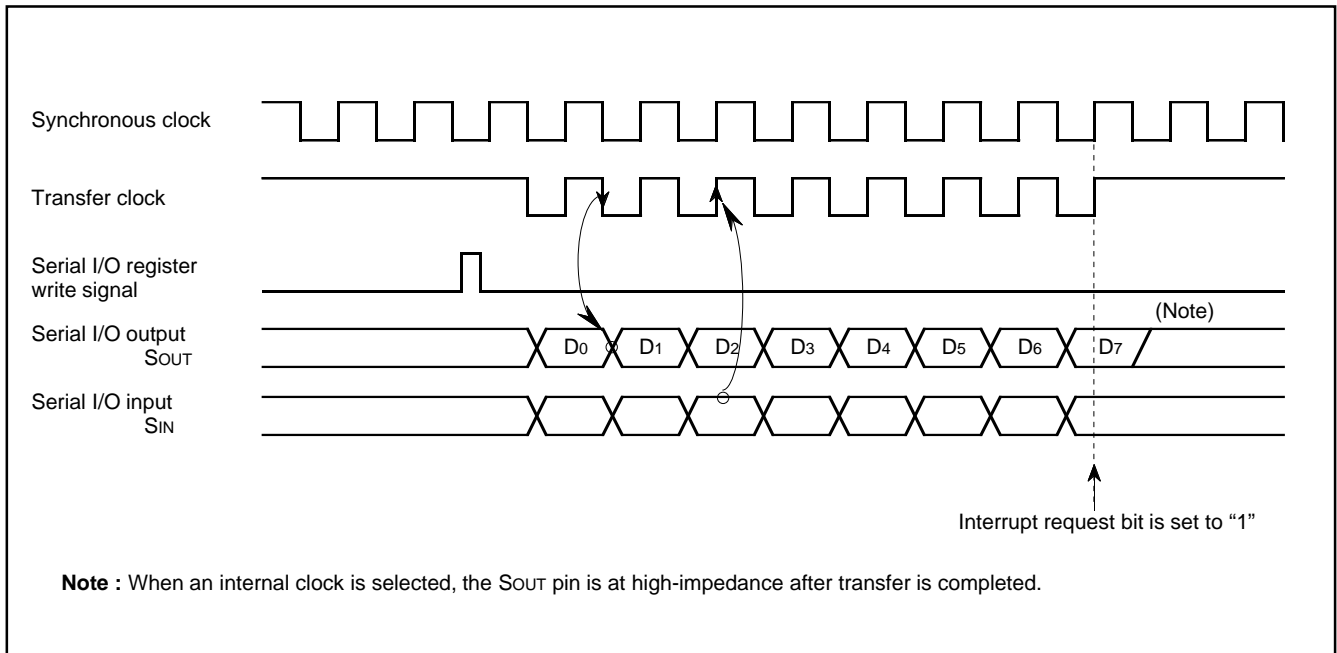


Fig. 8.5.2 Serial I/O Timing (for LSB first)

**M37225M6-XXXSP, M37225M8-XXXSP
M37225ECSP**

SINGLE-CHIP 8-BIT CMOS MICROCOMPUTER for VOLTAGE SYNTHESIZER
with ON-SCREEN DISPLAY CONTROLLER

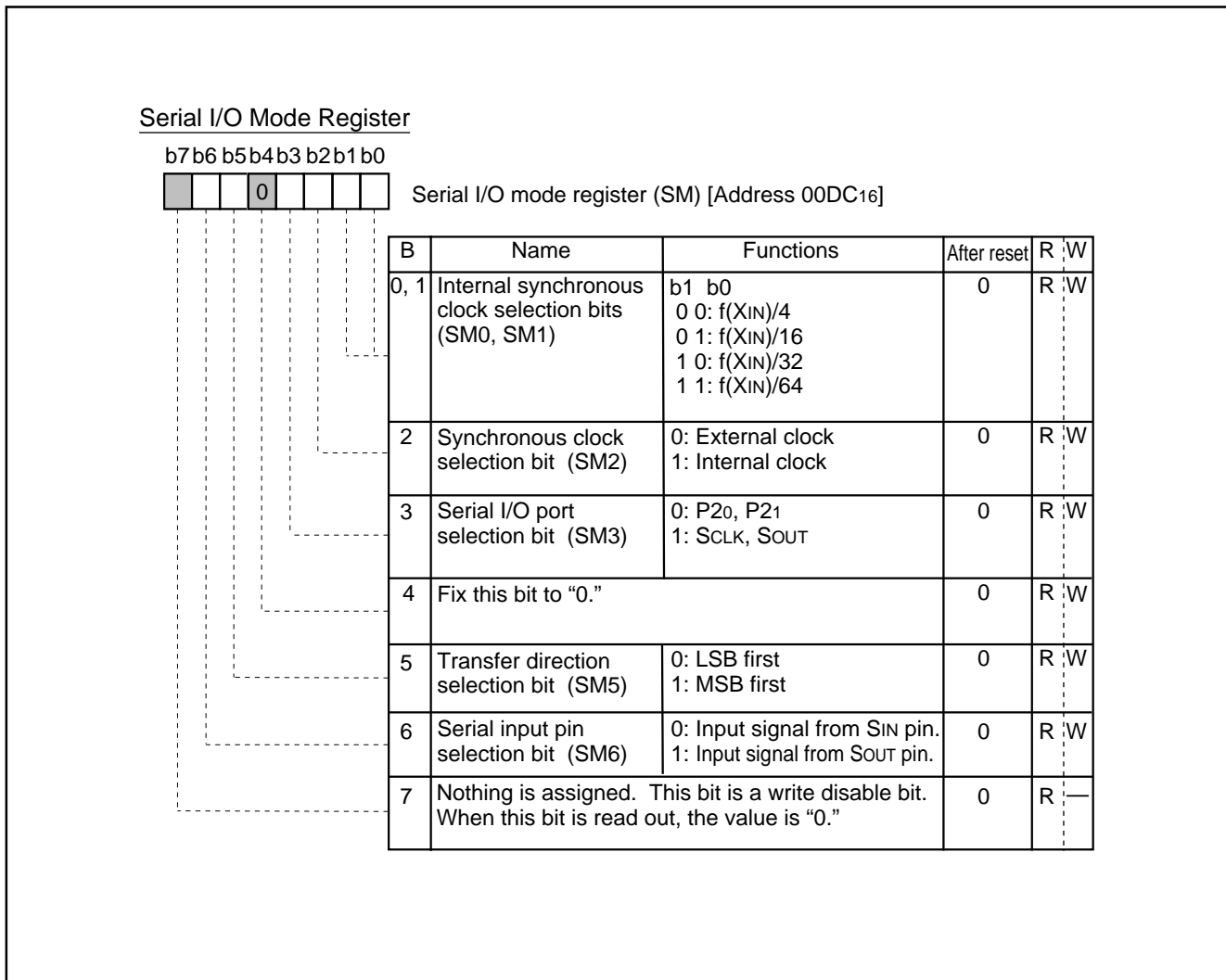


Fig. 8.5.3 Serial I/O Mode Register

M37225M6-XXXSP, M37225M8-XXXSP M37225ECSP

SINGLE-CHIP 8-BIT CMOS MICROCOMPUTER for VOLTAGE SYNTHESIZER
with ON-SCREEN DISPLAY CONTROLLER

8.5.1 Serial I/O Common Transmission/Reception mode

By writing "1" to bit 6 of the serial I/O mode register, signals SIN and SOUT are switched internally to be able to transmit or receive the serial data.

Figure 8.5.4 shows signals on serial I/O common transmission/reception mode.

Note: When receiving the serial data after writing "FF16" to the serial I/O register.

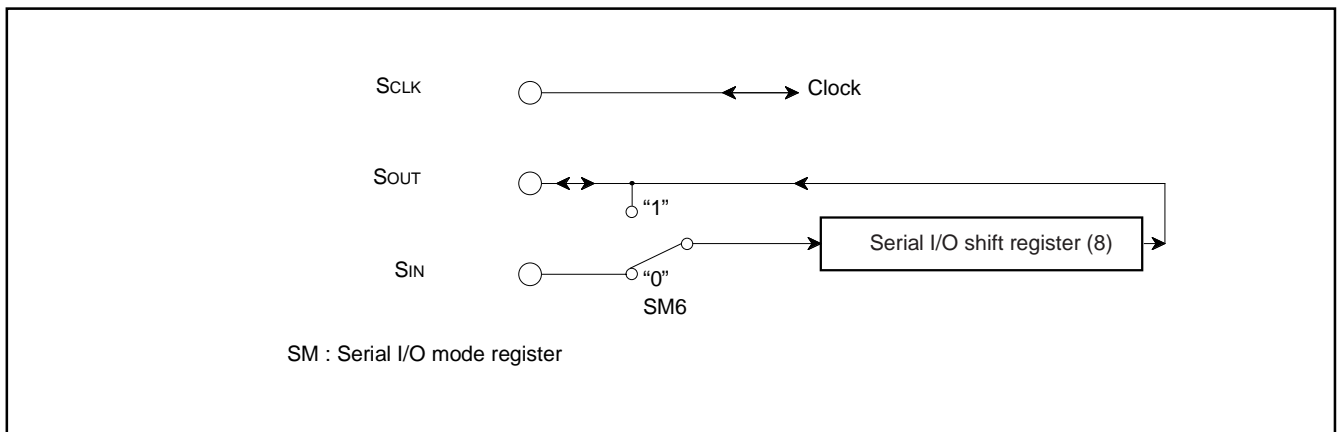


Fig. 8.5.4 Signals on Serial I/O Common Transmission/Reception Mode

M37225M6-XXXSP, M37225M8-XXXSP M37225ECSP

SINGLE-CHIP 8-BIT CMOS MICROCOMPUTER for VOLTAGE SYNTHESIZER
with ON-SCREEN DISPLAY CONTROLLER

8.6 MULTI-MASTER I²C-BUS INTERFACE

The multi-master I²C-BUS interface is a serial communications circuit, conforming to the Philips I²C-BUS data transfer format. This interface, offering both arbitration lost detection and a synchronous functions, is useful for the multi-master serial communications. Figure 8.6.1 shows a block diagram of the multi-master I²C-BUS interface and Table 8.6.1 shows multi-master I²C-BUS interface functions.

This multi-master I²C-BUS interface consists of the I²C address register, the I²C data shift register, the I²C clock control register, the I²C control register, the I²C status register and other control circuits.

Table 8.6.1 Multi-master I²C-BUS Interface Functions

Item	Function
Format	In conformity with Philips I ² C-BUS standard: 10-bit addressing format 7-bit addressing format High-speed clock mode Standard clock mode
Communication mode	In conformity with Philips I ² C-BUS standard: Master transmission Master reception Slave transmission Slave reception
SCL clock frequency	16.1 kHz to 400 kHz (at $\phi = 4$ MHz)

ϕ : System clock = $f(XIN)/2$

Note : We are not responsible for any third party's infringement of patent rights or other rights attributable to the use of the control function (bits 6 and 7 of the I²C control register at address 00DA16) for connections between the I²C-BUS interface and ports (SCL1, SCL2, SDA1, SDA2).

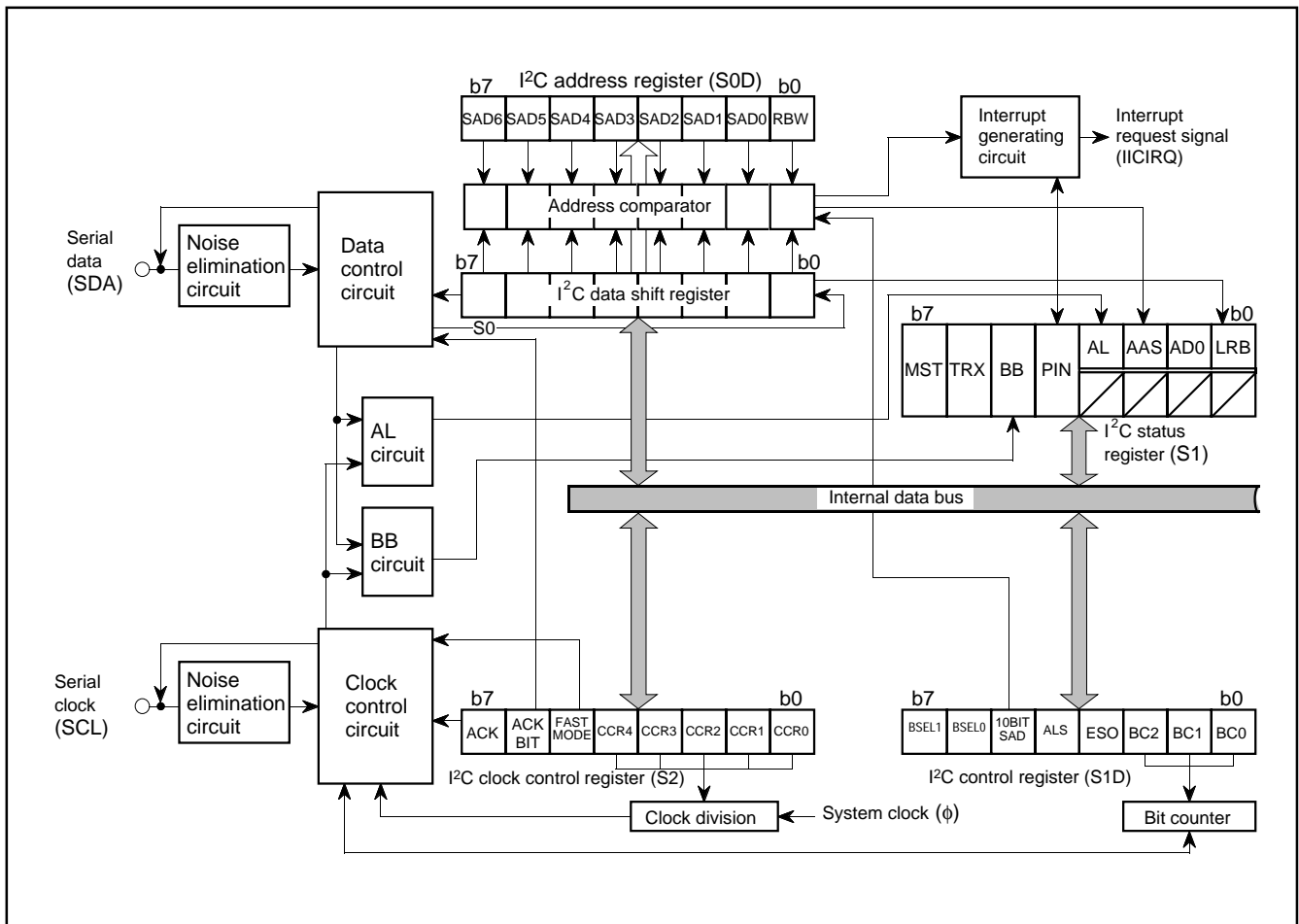


Fig. 8.6.1 Block Diagram of Multi-master I²C-BUS Interface

M37225M6-XXXSP, M37225M8-XXXSP M37225ECSP

SINGLE-CHIP 8-BIT CMOS MICROCOMPUTER for VOLTAGE SYNTHESIZER
with ON-SCREEN DISPLAY CONTROLLER

8.6.1 I²C Data Shift Register

The I²C data shift register (S0 : address 00D7₁₆) is an 8-bit shift register to store receive data and write transmit data.

When transmit data is written into this register, it is transferred to the outside from bit 7 in synchronization with the SCL clock, and each time one-bit data is output, the data of this register are shifted one bit to the left. When data is received, it is input to this register from bit 0 in synchronization with the SCL clock, and each time one-bit data is input, the data of this register are shifted one bit to the left.

The I²C data shift register is in a write enable status only when the ESO bit of the I²C control register (address 00DA₁₆) is "1." The bit counter is reset by a write instruction to the I²C data shift register. When both the ESO bit and the MST bit of the I²C status register (address 00D9₁₆) are "1," the SCL is output by a write instruction to the I²C data shift register. Reading data from the I²C data shift register is always enabled regardless of the ESO bit value.

Note: To write data into the I²C data shift register after setting the MST bit to "0" (slave mode), keep an interval of 8 machine cycles or more.

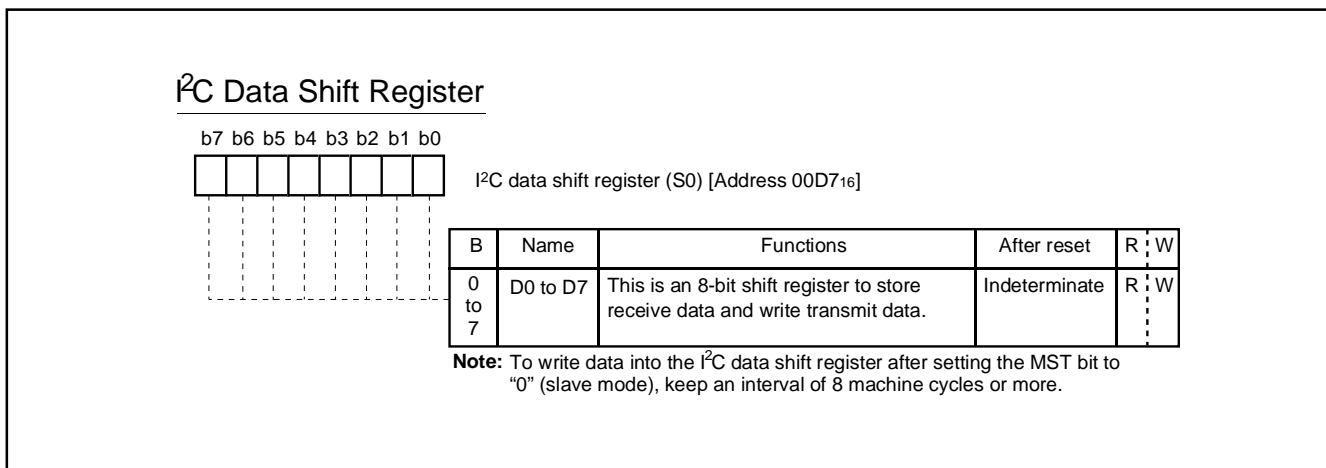


Fig. 8.6.2 Data Shift Register

M37225M6-XXXSP, M37225M8-XXXSP M37225ECSP

SINGLE-CHIP 8-BIT CMOS MICROCOMPUTER for VOLTAGE SYNTHESIZER
with ON-SCREEN DISPLAY CONTROLLER

8.6.2 I²C Address Register

The I²C address register (address 00D8₁₆) consists of a 7-bit slave address and a read/write bit. In the addressing mode, the slave address written in this register is compared with the address data to be received immediately after the START condition are detected.

(1) Bit 0: read/write bit (RBW)

Not used when comparing addresses, in the 7-bit addressing mode. In the 10-bit addressing mode, the first address data to be received is compared with the contents (SAD₆ to SAD₀ + RBW) of the I²C address register.

The RBW bit is cleared to "0" automatically when the stop condition is detected.

(2) Bits 1 to 7: slave address (SAD₀-SAD₆)

These bits store slave addresses. Regardless of the 7-bit addressing mode and the 10-bit addressing mode, the address data transmitted from the master is compared with the contents of these bits.

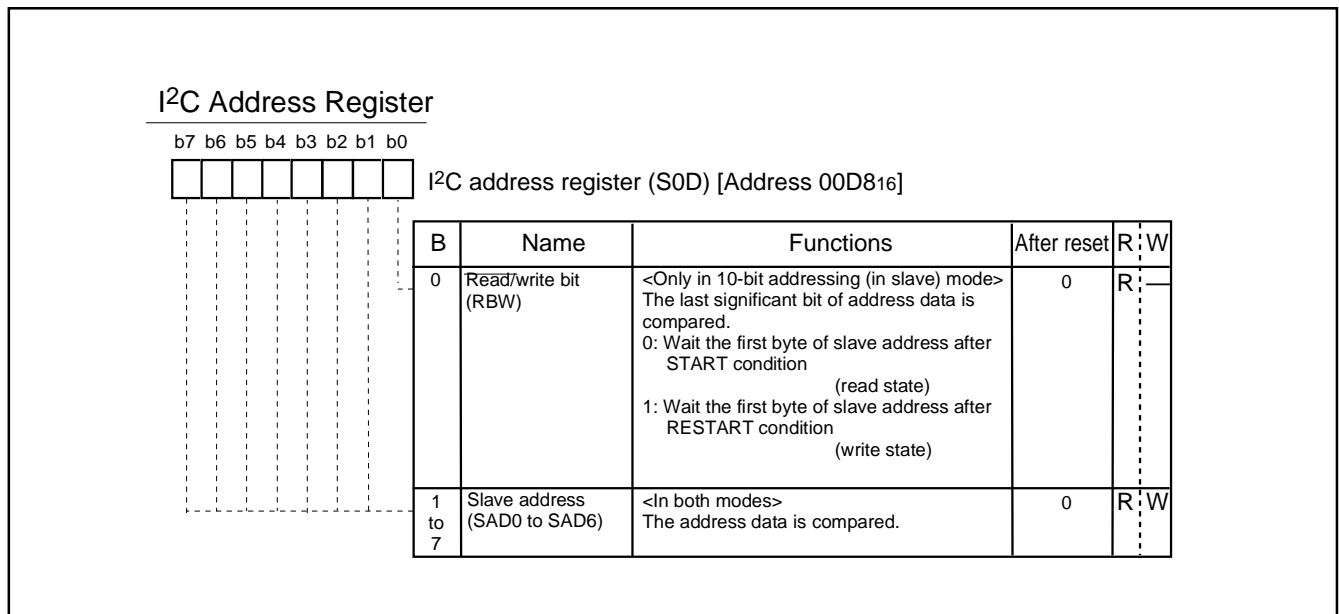


Fig. 8.6.3 I²C Address Register

M37225M6-XXXSP, M37225M8-XXXSP M37225ECSP

SINGLE-CHIP 8-BIT CMOS MICROCOMPUTER for VOLTAGE SYNTHESIZER
with ON-SCREEN DISPLAY CONTROLLER

8.6.3 I²C Clock Control Register

The I²C clock control register (address 00DB16) is used to set ACK control, SCL mode and SCL frequency.

(1) Bits 0 to 4: SCL frequency control bits (CCR0-CCR4)

These bits control the SCL frequency.

(2) Bit 5: SCL mode specification bit (FAST MODE)

This bit specifies the SCL mode. When this bit is set to "0," the standard clock mode is set. When the bit is set to "1," the high-speed clock mode is set.

(3) Bit 6: ACK bit (ACK BIT)

This bit sets the SDA status when an ACK clock* is generated. When this bit is set to "0," the ACK return mode is set and SDA goes to LOW at the occurrence of an ACK clock. When the bit is set to "1," the ACK non-return mode is set. The SDA is held in the HIGH status at the occurrence of an ACK clock.

However, when the slave address matches the address data in the reception of address data at ACK BIT = "0," the SDA is automatically made LOW (ACK is returned). If there is a mismatch between the slave address and the address data, the SDA is automatically made HIGH (ACK is not returned).

(4) Bit 7: ACK clock bit (ACK)

This bit specifies a mode of acknowledgment which is an acknowledgment response of data transmission. When this bit is set to "0," the no ACK clock mode is set. In this case, no ACK clock occurs after data transmission. When the bit is set to "1," the ACK clock mode is set and the master generates an ACK clock upon completion of each 1-byte data transmission. The device for transmitting address data and control data releases the SDA at the occurrence of an ACK clock (make SDA HIGH) and receives the ACK bit generated by the data receiving device.

Note: Do not write data into the I²C clock control register during transmission. If data is written during transmission, the I²C clock generator is reset, so that data cannot be transmitted normally.

*ACK clock: Clock for acknowledgement

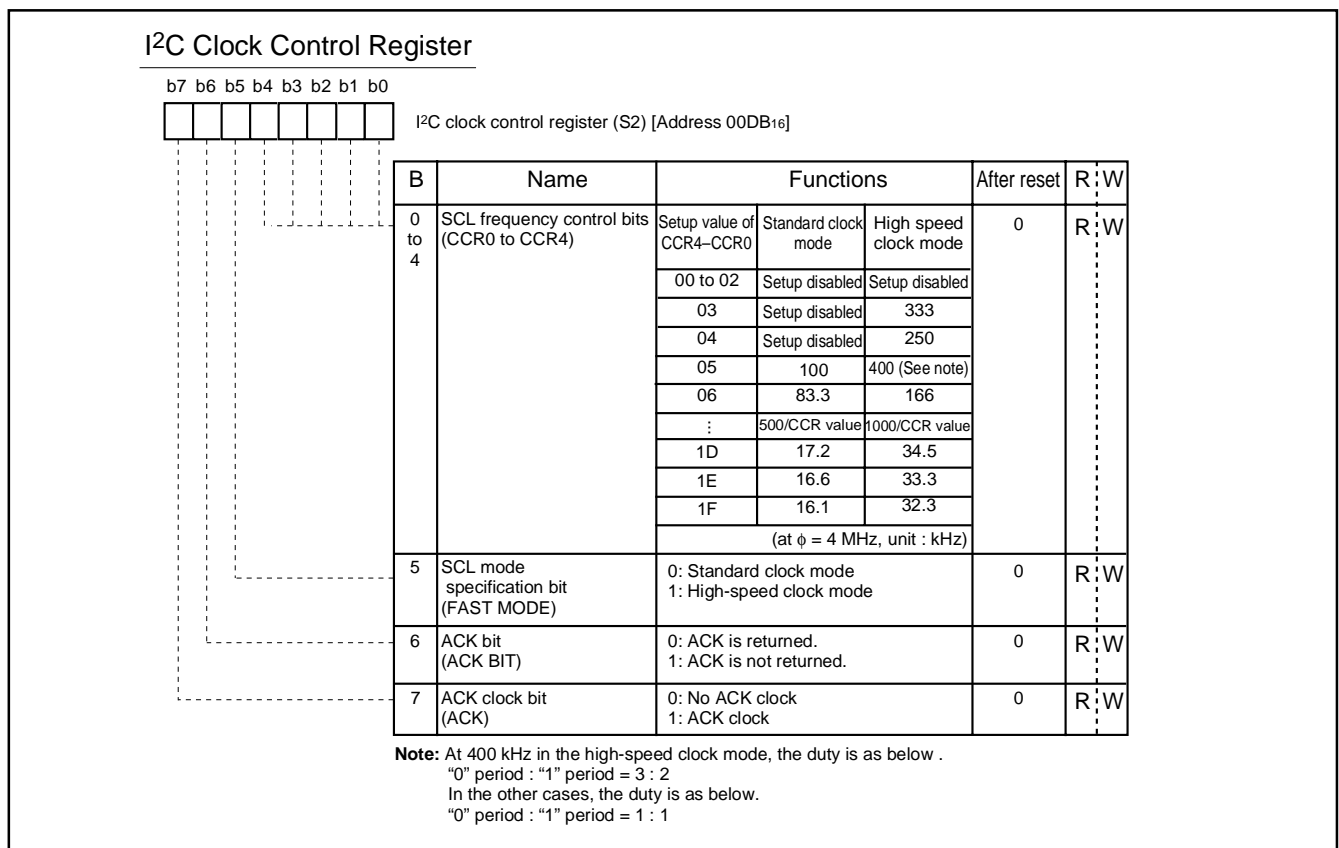


Fig. 8.6.4 I²C Address Register

M37225M6-XXXSP, M37225M8-XXXSP M37225ECSP

SINGLE-CHIP 8-BIT CMOS MICROCOMPUTER for VOLTAGE SYNTHESIZER
with ON-SCREEN DISPLAY CONTROLLER

8.6.4 I²C Control Register

The I²C control register (address 00DA16) controls the data communication format.

(1) Bits 0 to 2: bit counter (BC0-BC2)

These bits decide the number of bits for the next 1-byte data to be transmitted. An interrupt request signal occurs immediately after the number of bits specified with these bits are transmitted. When a START condition is received, these bits become "0002" and the address data is always transmitted and received in 8 bits.

(2) Bit 3: I²C interface use enable bit (ESO)

This bit enables usage of the multimaster I²C BUS interface. When this bit is set to "0," the use disable status is provided, so the SDA and the SCL become high-impedance. When the bit is set to "1," use of the interface is enabled.

When ESO = "0," the following is performed.

- PIN = "1," BB = "0" and AL = "0" are set (they are bits of the I²C status register at address 00D916).
- Writing data to the I²C data shift register (address 00D716) is disabled.

(3) Bit 4: data format selection bit (ALS)

This bit decides whether or not to recognize slave addresses. When this bit is set to "0," the addressing format is selected, so that address data is recognized. When a match is found between a slave address and address data as a result of comparison or when a general call (refer to "8.6.5 I²C Status Register," bit 1) is received, transmission processing can be performed. When this bit is set to "1," the free data format is selected, so that slave addresses are not recognized.

(4) Bit 5: addressing format selection bit (10BIT SAD)

This bit selects a slave address specification format. When this bit is set to "0," the 7-bit addressing format is selected. In this case, only the high-order 7 bits (slave address) of the I²C address register (address 00D816) are compared with address data. When this bit is set to "1," the 10-bit addressing format is selected, all the bits of the I²C address register are compared with address data.

(5) Bits 6 and 7: connection control bits between I²C-BUS interface and ports (BSEL0, BSEL1)

These bits controls the connection between SCL and ports or SDA and ports (refer to Figure 8.6.5).

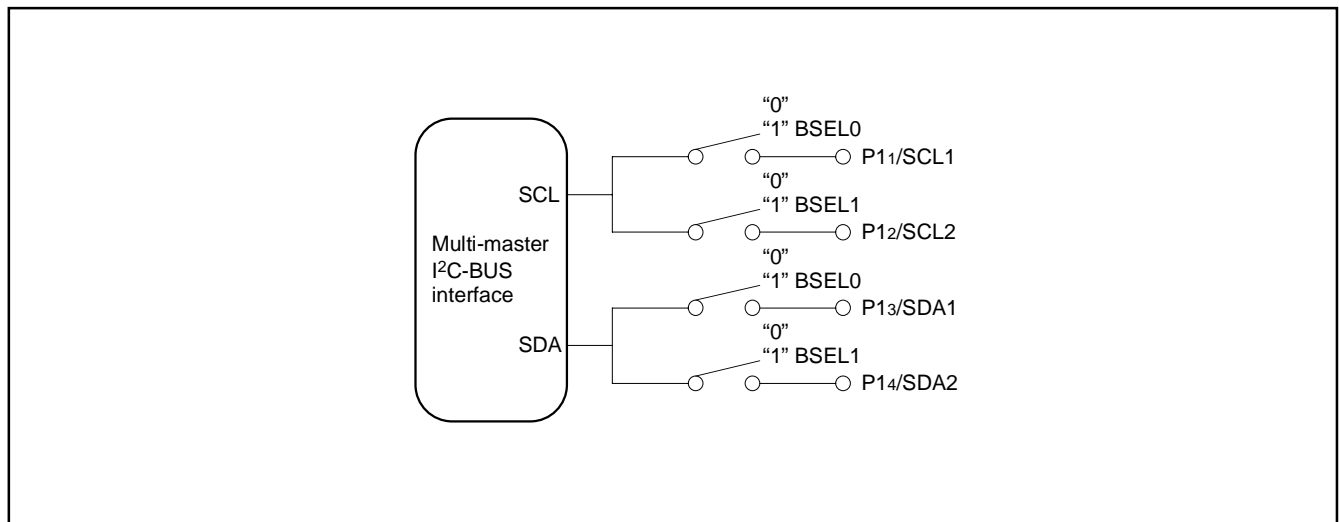
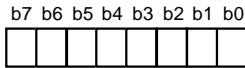


Fig. 8.6.5 Connection Port Control by BSEL0 and BSEL1

**M37225M6-XXXSP, M37225M8-XXXSP
M37225ECSP**

SINGLE-CHIP 8-BIT CMOS MICROCOMPUTER for VOLTAGE SYNTHESIZER
with ON-SCREEN DISPLAY CONTROLLER

I²C Control Register



I²C control register (S1D) [Address 00DA₁₆]

B	Name	Functions	After reset	R:W
0 to 2	Bit counter (Number of transmit/recieve bits) (BC0 to BC2)	b2 b1 b0 0 0 0: 8 0 0 1: 7 0 1 0: 6 0 1 1: 5 1 0 0: 4 1 0 1: 3 1 1 0: 2 1 1 1: 1	0	R:W
3	I ² C-BUS interface use enable bit (ESO)	0: Disabled 1: Enabled	0	R:W
4	Data format selection bit(ALS)	0: Addressing format 1: Free data format	0	R:W
5	Addressing format selection bit (10BIT SAD)	0: 7-bit addressing format 1: 10-bit addressing format	0	R:W
6, 7	Connection control bits between I ² C-BUS interface and ports (BSEL0, BSEL1)	b7 b6 Connection port (See note) 0 0: None 0 1: SCL1, SDA1 1 0: SCL2, SDA2 1 1: SCL1, SDA1, SCL2, SDA2	0	R:W

Note: When using ports P11-P14 as I²C-BUS interface, the output structure changes automatically from CMOS output to N-channel open-drain output.

Fig. 8.6.6 I²C Control Register

M37225M6-XXXSP, M37225M8-XXXSP M37225ECSP

SINGLE-CHIP 8-BIT CMOS MICROCOMPUTER for VOLTAGE SYNTHESIZER
with ON-SCREEN DISPLAY CONTROLLER

8.6.5 I²C Status Register

The I²C status register (address 00D916) controls the I²C-BUS interface status. The low-order 4 bits are read-only bits and the high-order 4 bits can be read out and written to.

(1) Bit 0: last receive bit (LRB)

This bit stores the last bit value of received data and can also be used for ACK receive confirmation. If ACK is returned when an ACK clock occurs, the LRB bit is set to "0." If ACK is not returned, this bit is set to "1." Except in the ACK mode, the last bit value of received data is input. The state of this bit is changed from "1" to "0" by executing a write instruction to the I²C data shift register (address 00D716).

(2) Bit 1: general call detecting flag (AD0)

This bit is set to "1" when a general call* whose address data is all "0" is received in the slave mode. By a general call of the master device, every slave device receives control data after the general call. The AD0 bit is set to "0" by detecting the STOP condition or START condition.

*General call: The master transmits the general call address "0016" to all slaves.

(3) Bit 2: slave address comparison flag (AAS)

This flag indicates a comparison result of address data.

- In the slave receive mode, when the 7-bit addressing format is selected, this bit is set to "1" in one of the following conditions.
 - The address data immediately after occurrence of a START condition matches the slave address stored in the high-order 7 bits of the I²C address register (address 00D816).
 - A general call is received.
- In the slave reception mode, when the 10-bit addressing format is selected, this bit is set to "1" with the following condition.
 - When the address data is compared with the I²C address register (8 bits consists of slave address and RBW), the first bytes match.
- The state of this bit is changed from "1" to "0" by executing a write instruction to the I²C data shift register (address 00D716).

(4) Bit 3: arbitration lost* detecting flag (AL)

In the master transmission mode, when a device other than the microcomputer sets the SDA to "L," arbitration is judged to have been lost, so that this bit is set to "1." At the same time, the TRX bit is set to "0," so that immediately after transmission of the byte whose arbitration was lost is completed, the MST bit is set to "0." When arbitration is lost during slave address transmission, the TRX bit is set to "0" and the reception mode is set. Consequently, it becomes possible to receive and recognize its own slave address transmitted by another master device.

*Arbitration lost: The status in which communication as a master is disabled.

(5) Bit 4: I²C-BUS interface interrupt request bit (PIN)

This bit generates an interrupt request signal. Each time 1-byte data is transmitted, the state of the PIN bit changes from "1" to "0." At the same time, an interrupt request signal is sent to the CPU. The PIN bit is set to "0" in synchronization with a falling edge of the last clock (including the ACK clock) of an internal clock and an interrupt request signal occurs in synchronization with a falling edge of the PIN bit. When the PIN bit is "0," the SCL is kept in the "0" state and clock generation is disabled. Figure 8.6.8 shows an interrupt request signal generating timing chart.

The PIN bit is set to "1" in any one of the following conditions.

- Executing a write instruction to the I²C data shift register (address 00D716).
- When the ESO bit is "0"
- At reset

The conditions in which the PIN bit is set to "0" are shown below:

- Immediately after completion of 1-byte data transmission (including when arbitration lost is detected)
- Immediately after completion of 1-byte data reception
- In the slave reception mode, with ALS = "0" and immediately after completion of slave address or general call address reception
- In the slave reception mode, with ALS = "1" and immediately after completion of address data reception

(6) Bit 5: bus busy flag (BB)

This bit indicates the status of use of the bus system. When this bit is set to "0," this bus system is not busy and a START condition can be generated. When this bit is set to "1," this bus system is busy and the occurrence of a START condition is disabled by the START condition duplication prevention function (See note).

This flag can be written by software only in the master transmission mode. In the other modes, this bit is set to "1" by detecting a START condition and set to "0" by detecting a STOP condition. When the ESO bit of the I²C control register (address 00DA16) is "0" and at reset, the BB flag is kept in the "0" state.

(7) Bit 6: communication mode specification bit (transfer direction specification bit: TRX)

This bit decides the direction of transfer for data communication. When this bit is "0," the reception mode is selected and the data of a transmitting device is received. When the bit is "1," the transmission mode is selected and address data and control data are output into the SDA in synchronization with the clock generated on the SCL.

When the ALS bit of the I²C control register (address 00DA16) is "0" in the slave reception mode is selected, the TRX bit is set to "1" (transmit) if the least significant bit (R/W bit) of the address data transmitted by the master is "1." When the ALS bit is "0" and the R/W bit is "0," the TRX bit is cleared to "0" (receive).

The TRX bit is cleared to "0" in one of the following conditions.

- When arbitration lost is detected.
- When a STOP condition is detected.
- When occurrence of a START condition is disabled by the START condition duplication prevention function (Note).
- With MST = "0" and when a START condition is detected.
- With MST = "0" and when ACK non-return is detected.
- At reset

M37225M6-XXXSP, M37225M8-XXXSP M37225ECSP

SINGLE-CHIP 8-BIT CMOS MICROCOMPUTER for VOLTAGE SYNTHESIZER
with ON-SCREEN DISPLAY CONTROLLER

(8) Bit 7: Communication mode specification bit (master/slave specification bit: MST)

This bit is used for master/slave specification for data communication. When this bit is "0," the slave is specified, so that a START condition and a STOP condition generated by the master are received, and data communication is performed in synchronization with the clock generated by the master. When this bit is "1," the master is specified and a START condition and a STOP condition are generated, and also the clocks required for data communication are generated on the SCL.

The MST bit is cleared to "0" in one of the following conditions.

- Immediately after completion of 1-byte data transmission when arbitration lost is detected
- When a STOP condition is detected.
- When occurrence of a START condition is disabled by the START condition duplication preventing function (Note).
- At reset

Note: The START condition duplication prevention function disables the START condition generation, reset of bit counter reset, and SCL output, when the following condition is satisfied:
a START condition is set by another master device.

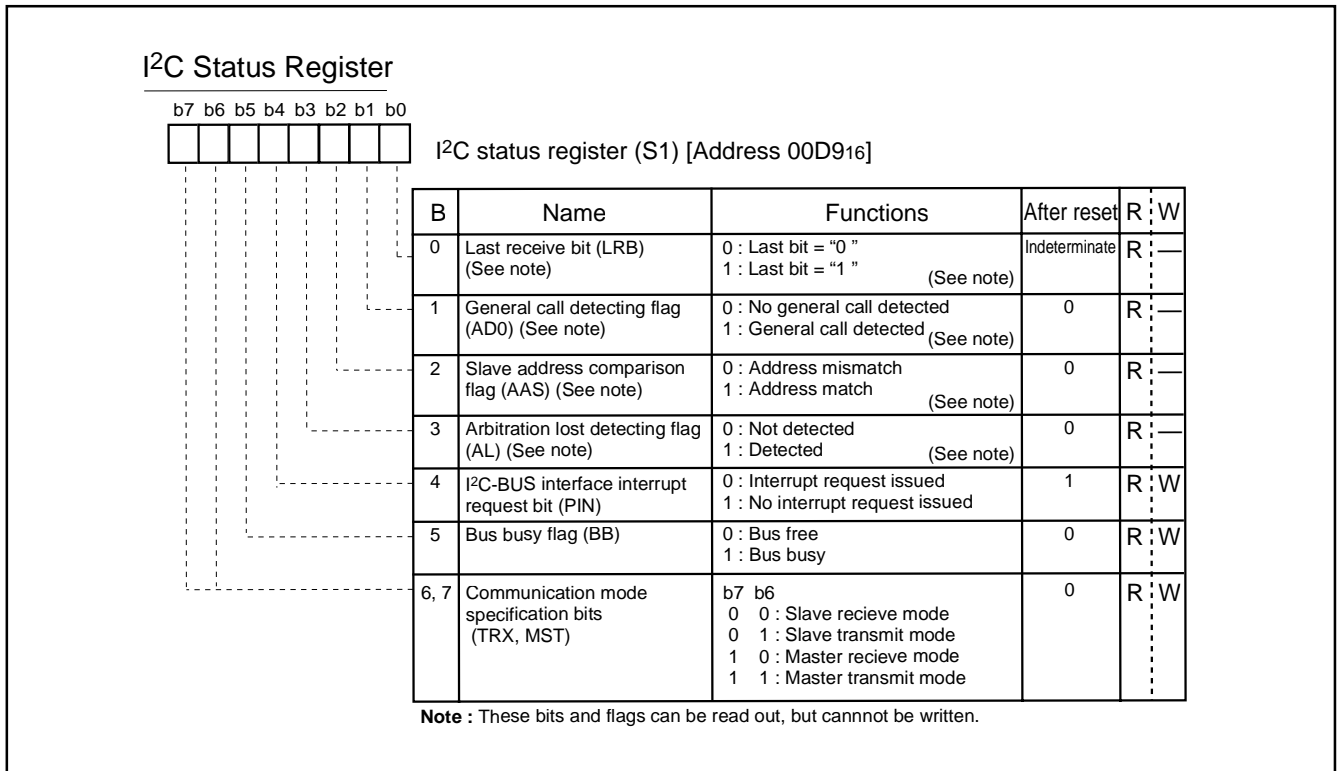


Fig. 8.6.7 I²C Status Register

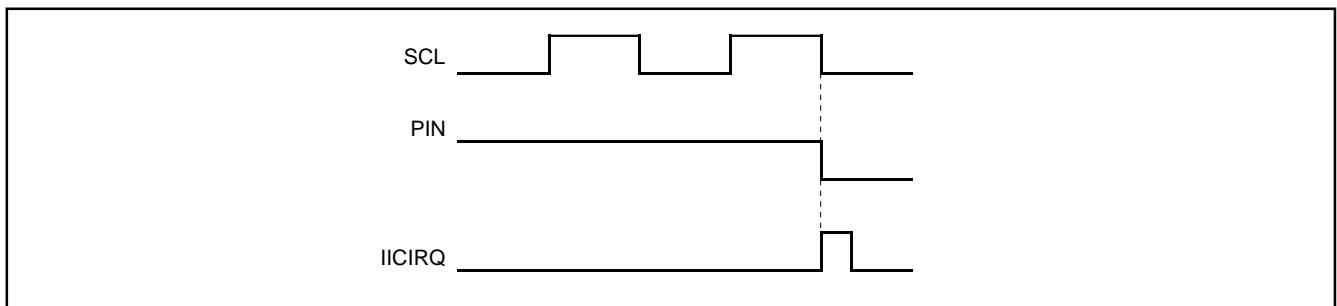


Fig. 8.6.8 Interrupt Request Signal Generation Timing

M37225M6-XXXSP, M37225M8-XXXSP M37225ECSP

SINGLE-CHIP 8-BIT CMOS MICROCOMPUTER for VOLTAGE SYNTHESIZER
with ON-SCREEN DISPLAY CONTROLLER

8.6.6 START Condition Generation Method

When the ESO bit of the I²C control register (address 00DA₁₆) is "1," execute a write instruction to the I²C status register (address 00D9₁₆) to set the MST, TRX and BB bits to "1." A START condition will then be generated. After that, the bit counter becomes "000₂" and an SCL for 1 byte is output. The START condition generation timing and BB bit set timing are different in the standard clock mode and the high-speed clock mode. Refer to Figure 8.6.9 for the START condition generation timing diagram, and Table 8.6.2 for the START condition/STOP condition generation timing table.

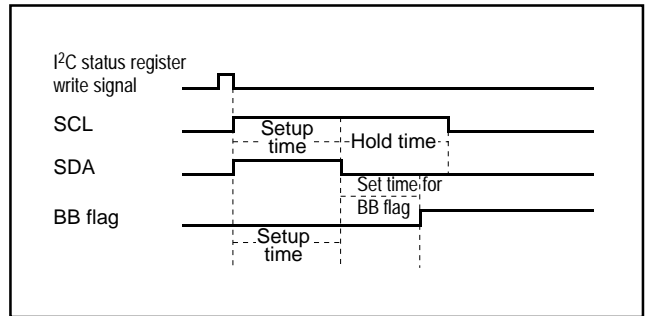


Fig. 8.6.9 START Condition Generation Timing Diagram

8.6.7 STOP Condition Generation Method

When the ESO bit of the I²C control register (address 00DA₁₆) is "1," execute a write instruction to the I²C status register (address 00D9₁₆) for setting the MST bit and the TRX bit to "1" and the BB bit to "0". A STOP condition will then be generated. The STOP condition generation timing and the BB flag reset timing are different in the standard clock mode and the high-speed clock mode. Refer to Figure 8.6.10 for the STOP condition generation timing diagram, and Table 8.6.2 for the START condition/STOP condition generation timing table.

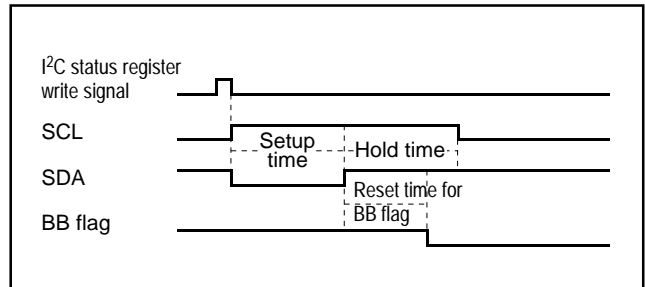


Fig. 8.6.10 STOP Condition Generation Timing Diagram

Table 8.6.2 START Condition/STOP Condition Generation Timing Table

Item	Standard Clock Mode	High-speed Clock Mode
Setup time (START condition)	5.0 μs (20 cycles)	2.5 μs (10 cycles)
Setup time (STOP condition)	4.25 μs (17 cycles)	1.75 μs (7 cycles)
Hold time	5.0 μs (20 cycles)	2.5 μs (10 cycles)
Set/reset time for BB flag	3.0 μs (12 cycles)	1.5 μs (6 cycles)

Note: Absolute time at $\phi = 4$ MHz. The value in parentheses denotes the number of ϕ cycles.

M37225M6-XXXSP, M37225M8-XXXSP M37225ECSP

SINGLE-CHIP 8-BIT CMOS MICROCOMPUTER for VOLTAGE SYNTHESIZER
with ON-SCREEN DISPLAY CONTROLLER

8.6.8 START/STOP Condition Detect Conditions

The START/STOP condition detect conditions are shown in Figure 8.6.11 and Table 8.6.3. Only when the 3 conditions of Table 8.6.3 are satisfied, a START/STOP condition can be detected.

Note: When a STOP condition is detected in the slave mode (MST = 0), an interrupt request signal "IICIRQ" is generated to the CPU.

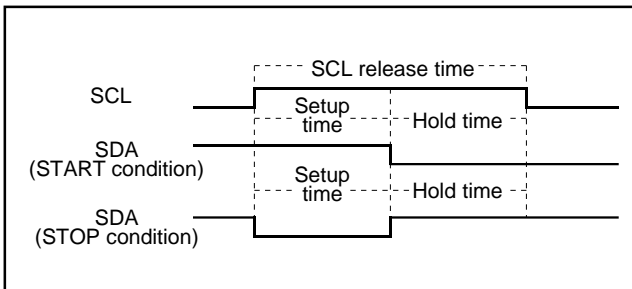


Fig. 8.6.11 START Condition/STOP Condition Detect Timing Diagram

Table 8.6.3 START Condition/STOP Condition Detect Conditions

Standard Clock Mode	High-speed Clock Mode
6.5 μs (26 cycles) < SCL release time	1.0 μs (4 cycles) < SCL release time
3.25 μs (13 cycles) < Setup time	0.5 μs (2 cycles) < Setup time
3.25 μs (13 cycles) < Hold time	0.5 μs (2 cycles) < Hold time

Note: Absolute time at φ = 4 MHz. The value in parentheses denotes the number of φ cycles.

8.6.9 Address Data Communication

There are two address data communication formats, namely, 7-bit addressing format and 10-bit addressing format. The respective address communication formats is described below.

(1) 7-bit addressing format

To meet the 7-bit addressing format, set the 10BIT SAD bit of the I²C control register (address 00DA16) to "0." The first 7-bit address data transmitted from the master is compared with the high-order 7-bit slave address stored in the I²C address register (address 00D816). At the time of this comparison, address comparison of the RBW bit of the I²C address register (address 00D816) is not made. For the data transmission format when the 7-bit addressing format is selected, refer to Figure 8.6.12, (1) and (2).

(2) 10-bit addressing format

To meet the 10-bit addressing format, set the 10BIT SAD bit of the I²C control register (address 00DA16) to "1." An address comparison is made between the first-byte address data transmitted from the master and the 7-bit slave address stored in the I²C address register (address 00D816). At the time of this comparison, an address comparison between the RBW bit of the I²C address register (address 00D816) and the R/W bit which is the last bit of the address data transmitted from the master is made. In the 10-bit addressing mode, the R/W bit which is the last bit of the address data not only specifies the direction of communication for control data but also is processed as an address data bit.

When the first-byte address data matches the slave address, the AAS bit of the I²C status register (address 00D916) is set to "1." After the second-byte address data is stored into the I²C data shift register (address 00D716), make an address comparison between the second-byte data and the slave address by software. When the address data of the 2nd bytes matches the slave address, set the RBW bit of the I²C address register (address 00D816) to "1" by software. This processing can match the 7-bit slave address and R/W data, which are received after a RESTART condition is detected, with the value of the I²C address register (address 00D816). For the data transmission format when the 10-bit addressing format is selected, refer to Figure 8.6.12, (3) and (4).

M37225M6–XXXSP, M37225M8–XXXSP M37225ECSP

SINGLE-CHIP 8-BIT CMOS MICROCOMPUTER for VOLTAGE SYNTHESIZER
with ON-SCREEN DISPLAY CONTROLLER

8.6.10 Example of Master Transmission

An example of master transmission in the standard clock mode, at the SCL frequency of 100 kHz and in the ACK return mode is shown below.

- ① Set a slave address in the high-order 7 bits of the I²C address register (address 00D8₁₆) and "0" in the RBW bit.
- ② Set the ACK return mode and SCL = 100 kHz by setting "85₁₆" in the I²C clock control register (address 00DB₁₆).
- ③ Set "10₁₆" in the I²C status register (address 00D9₁₆) and hold the SCL at the HIGH.
- ④ Set a communication enable status by setting "48₁₆" in the I²C control register (address 00DA₁₆).
- ⑤ Set the address data of the destination of transmission in the high-order 7 bits of the I²C data shift register (address 00D7₁₆) and set "0" in the least significant bit.
- ⑥ Set "F0₁₆" in the I²C status register (address 00D9₁₆) to generate a START condition. At this time, an SCL for 1 byte and an ACK clock automatically occurs.
- ⑦ Set transmit data in the I²C data shift register (address 00D7₁₆). At this time, an SCL and an ACK clock automatically occurs.
- ⑧ When transmitting control data of more than 1 byte, repeat step ⑦.
- ⑨ Set "D0₁₆" in the I²C status register (address 00D9₁₆). After this, if ACK is not returned or transmission ends, a STOP condition will be generated.

8.6.11 Example of Slave Reception

An example of slave reception in the high-speed clock mode, at the SCL frequency of 400 kHz, in the ACK non-return mode, using the addressing format, is shown below.

- ① Set a slave address in the high-order 7 bits of the I²C address register (address 00D8₁₆) and "0" in the RBW bit.
- ② Set the no ACK clock mode and SCL = 400 kHz by setting "25₁₆" in the I²C clock control register (address 00DB₁₆).
- ③ Set "10₁₆" in the I²C status register (address 00D9₁₆) and hold the SCL at the HIGH.
- ④ Set a communication enable status by setting "48₁₆" in the I²C control register (address 00DA₁₆).
- ⑤ When a START condition is received, an address comparison is made.
- ⑥ •When all transmitted address are "0" (general call):
AD0 of the I²C status register (address 00D9₁₆) is set to "1" and an interrupt request signal occurs.
•When the transmitted addresses match the address set in ①:
ASS of the I²C status register (address 00D9₁₆) is set to "1" and an interrupt request signal occurs.
•In the cases other than the above:
AD0 and AAS of the I²C status register (address 00D9₁₆) are set to "0" and no interrupt request signal occurs.
- ⑦ Set dummy data in the I²C data shift register (address 00D7₁₆).
- ⑧ When receiving control data of more than 1 byte, repeat step ⑦.
- ⑨ When a STOP condition is detected, the communication ends.

M37225M6-XXXSP, M37225M8-XXXSP M37225ECSP

SINGLE-CHIP 8-BIT CMOS MICROCOMPUTER for VOLTAGE SYNTHESIZER
with ON-SCREEN DISPLAY CONTROLLER

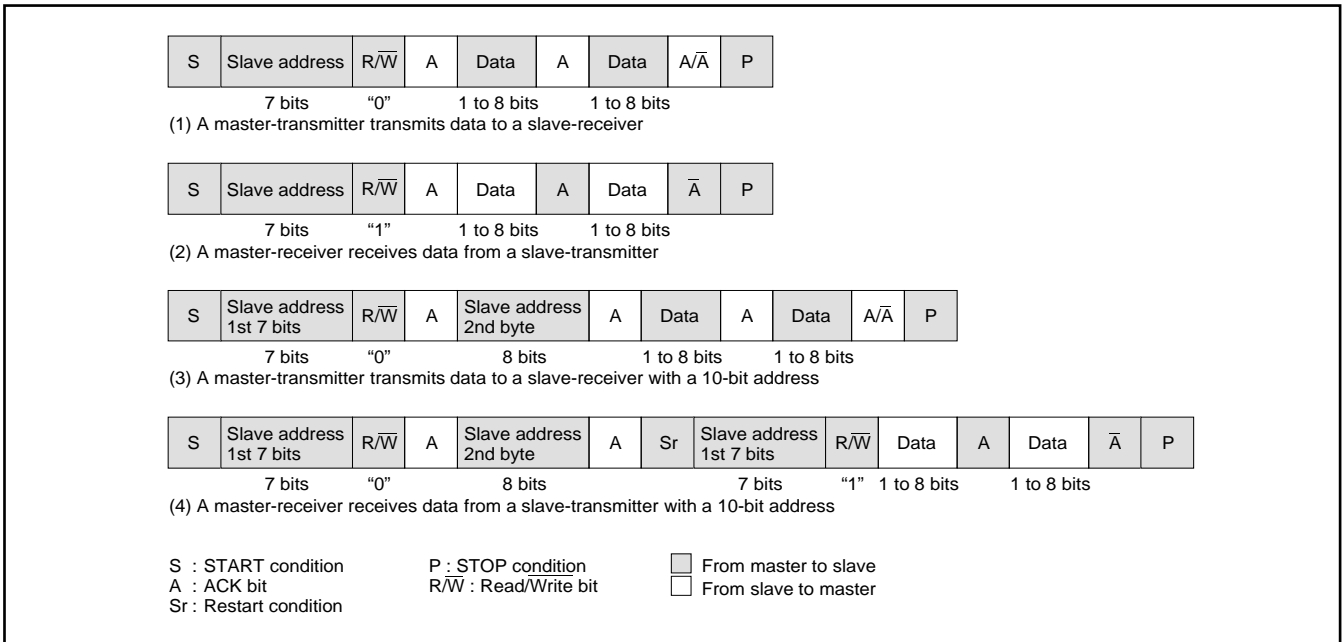


Fig. 8.6.12 Address Data Communication Format

8.6.12 Precautions when using multi-master I²C-BUS interface

(1) Read-modify-write instruction

The precautions when the read-modify-write instruction such as SEB, CLB etc. is executed for each register of the multi-master I²C-BUS interface are described below.

- I²C data shift register (S0)
When executing the read-modify-write instruction for this register during transfer, data may become a value not intended.
- I²C address register (S0D)
When the read-modify-write instruction is executed for this register at detecting the STOP condition, data may become a value not intended. It is because hardware changes the read/write bit (RBW) at the above timing.
- I²C status register (S1)
Do not execute the read-modify-write instruction for this register because all bits of this register are changed by hardware.
- I²C control register (S1D)
When the read-modify-write instruction is executed for this register at detecting the START condition or at completing the byte transfer, data may become a value not intended. Because hardware changes the bit counter (BC0-BC2) at the above timing.
- I²C clock control register (S2)
The read-modify-write instruction can be executed for this register.

(2) START condition generating procedure using multi-master

① Procedure example (The necessary conditions of the generating procedure are described as the following ② to ⑤).

```

•
•
LDA    —          (Taking out of slave address value)
SEI    (Interrupt disabled)
BBS    5,S1,BUSBUSY (BB flag confirming and branch process)
BUSFREE:
STA    S0          (Writing of slave address value)
LDM    #$F0, S1   (Trigger of START condition generating)
CLI    (Interrupt enabled)
•
•
BUSBUSY:
CLI    (Interrupt enabled)
•
•

```

- ② Use "STA," "STX" or "STY" of the zero page addressing instruction for writing the slave address value to the I²C data shift register.
- ③ Use "LDM" instruction for setting trigger of START condition generating.
- ④ Write the slave address value of above ② and set trigger of START condition generating of above ③ continuously shown the above procedure example.
- ⑤ Disable interrupts during the following three process steps:
 - BB flag confirming
 - Writing of slave address value
 - Trigger of START condition generating
 When the condition of the BB flag is bus busy, enable interrupts immediately.

M37225M6-XXXSP, M37225M8-XXXSP M37225ECSP

SINGLE-CHIP 8-BIT CMOS MICROCOMPUTER for VOLTAGE SYNTHESIZER
with ON-SCREEN DISPLAY CONTROLLER

(3) RESTART condition generating procedure

① Procedure example (The necessary conditions of the generating procedure are described as the following ② to ⑥.)

Execute the following procedure when the PIN bit is "0."

```

      •
      •
LDM  #$00, S1    (Select slave receive mode)
LDA  —          (Taking out of slave address value)
SEI  —          (Interrupt disabled)
STA  S0         (Writing of slave address value)
LDM  #$F0, S1   (Trigger of RESTART condition generating)
CLI  —          (Interrupt enabled)
      •
      •
    
```

② Select the slave receive mode when the PIN bit is "0." Do not write "1" to the PIN bit. Neither "0" nor "1" is specified for the writing to the BB bit.

The TRX bit becomes "0" and the SDA pin is released.

③ The SCL pin is released by writing the slave address value to the I²C data shift register. Use "STA," "STX" or "STY" of the zero page addressing instruction for writing.

④ Use "LDM" instruction for setting trigger of RESTART condition generating.

⑤ Write the slave address value of above ③ and set trigger of RESTART condition generating of above ④ continuously shown the above procedure example.

⑥ Disable interrupts during the following two process steps:

- Writing of slave address value
- Trigger of RESTART condition generating

(4) STOP condition generating procedure

① Procedure example (The necessary conditions of the generating procedure are described as the following ② to ④.)

```

      •
      •
SEI  —          (Interrupt disabled)
LDM  #$C0, S1   (Select master transmit mode)
NOP  —          (Set NOP)
LDM  #$D0, S1   (Trigger of STOP condition generating)
CLI  —          (Interrupt enabled)
      •
      •
    
```

② Write "0" to the PIN bit when master transmit mode is select.

③ Execute "NOP" instruction after setting of master transmit mode. Also, set trigger of STOP condition generating within 10 cycles after selecting of master transmit mode.

④ Disable interrupts during the following two process steps:

- Select of master transmit mode
- Trigger of STOP condition generating

(5) Writing to I²C status register

Do not execute an instruction to set the PIN bit to "1" from "0" and an instruction to set the MST and TRX bits to "0" from "1" simultaneously. It is because it may enter the state that the SCL pin is released and the SDA pin is released after about one machine cycle. Do not execute an instruction to set the MST and TRX bits to "0" from "1" simultaneously when the PIN bit is "1." It is because it may become the same as above.

(6) Process of after STOP condition generating

Do not write data in the I²C data shift register S0 and the I²C status register S1 until the bus busy flag BB becomes "0" after generating the STOP condition in the master mode. It is because the STOP condition waveform might not be normally generated. Reading to the above registers do not have the problem.

M37225M6-XXXSP, M37225M8-XXXSP M37225ECSP

SINGLE-CHIP 8-BIT CMOS MICROCOMPUTER for VOLTAGE SYNTHESIZER
with ON-SCREEN DISPLAY CONTROLLER

8.7 PWM OUTPUT FUNCTION

This microcomputer is equipped with two 14-bit PWMs (DA1, DA2) and six 8-bit PWMs (PWM0-PWM5). DA1 and DA2 have a 14-bit resolution with the minimum resolution bit width of 0.25 μ s and a repeat period of 4096 μ s (for $f(X_{IN}) = 8$ MHz). PWM0-PWM5 have the same circuit structure and an 8-bit resolution with minimum resolution bit width of 4 μ s and repeat period of 1024 μ s (for $f(X_{IN}) = 8$ MHz).

Figure 8.7.1 shows the PWM block diagram. The PWM timing generating circuit applies individual control signals to DA1, DA2 and PWM0-PWM5 using $f(X_{IN})$ divided by 2 as a reference signal.

8.7.1 Data Setting

When outputting DA1, first set the high-order 8 bits to the DA1-H register (address 00CE₁₆), then the low-order 6 bits to the DA1-L register (address 00CF₁₆). When outputting DA2, first set the high-order 8 bits to the DA2-H register (address 024E₁₆), then the low-order 6 bits to the DA2-L register (address 024F₁₆). When outputting PWM0-PWM5, set 8-bit output data to the PWM_i register (i means 0 to 5; addresses 00D0₁₆ to 00D4₁₆, 00F6₁₆).

8.7.2 Transferring Data from Registers to PWM Circuit

Data transfer from the 8-bit PWM register to the 8-bit PWM circuit is executed at writing data to the register.

The signal output from the 8-bit PWM output pin corresponds to the contents of this register.

Also, data transfer from the DA1 register (addresses 00CE₁₆ and 00CF₁₆) to the 14-bit PWM circuit is executed at writing data to the DA1-L register (address 00CF₁₆). Reading from the DA1-H register (address 00CE₁₆) means reading this transferred data. Data transfer from the DA2 register (addresses 024E₁₆ and 024F₁₆) to the 14-bit PWM circuit is executed at writing data to the DA2-L register (address 024F₁₆). Reading from the DA2-H register (address 024E₁₆) means reading this transferred data. Accordingly, it is possible to confirm the data being output from the DA_i (i = 1, 2) output pin by reading the DA_i (i = 1, 2) register.

8.7.3 Operating of 8-bit PWM

The following explains PWM operation.

First, set the bit 0 of PWM output control register 1 (address 00D5₁₆) to "0" (at reset, bit 0 is already set to "0" automatically), so that the PWM count source is supplied.

PWM0-PWM5 are also used as pins P00-P05, respectively. For PWM0-PWM5, set the corresponding bits of the ports P0 direction register to "1" (output mode). And select each output polarity by bit 3 of PWM output control register 2 (address 00D6₁₆). Then, set bits 2 to 7 of PWM output control register 1 to "1" (PWM output).

The PWM waveform is output from the PWM output pins by setting these registers.

Figure 8.7.2 shows the 8-bit PWM timing. One cycle (T) is composed of 256 (2⁸) segments. The 8 kinds of pulses, relative to the weight of each bit (bits 0 to 7), are output inside the circuit during 1 cycle. Refer to Figure 8.7.2 (a). The 8-bit PWM outputs waveform which is the logical sum (OR) of pulses corresponding to the contents of bits 0 to 7 of the 8-bit PWM register. Several examples are

shown in Figure 8.7.2 (b). 256 kinds of output (HIGH area: 0/256 to 255/256) are selected by changing the contents of the PWM register. A length of entirely HIGH output cannot be output, i.e. 256/256.

8.7.4 Operating of 14-bit PWM

For DA1, as with 8-bit PWM, set the bit 0 of PWM output control register 1 (address 00D5₁₆) to "0" (at reset, bit 0 is already set to "0" automatically), so that the PWM count source is supplied. Next, select the output polarity by bit 2 of PWM output control register 2 (address 00D6₁₆). Then, the 14-bit PWM outputs from the DA1 output pin by setting bit 1 of PWM output control register 1 to "0" (at reset, this bit already set to "0" automatically) to select the DA1 output.

For DA2 as with DA1, set the bit 0 of PWM output control register 1 (address 00D5₁₆) to "0" (at reset, bit 0 is already set to "0" automatically), so that PWM count source is supplied. Next, select the output polarity by bit 4 of PWM output control register 2 (address 00D6₁₆). Then, the 14-bit PWM outputs from the DA2 output pin by setting bit 5 of PWM output control register 1 to "0" (at reset, this bit already set to "0" automatically) to select the DA2 output.

The output example of the 14-bit PWM is shown in Figure 8.7.3.

The 14-bit PWM divides the data of the DA_i latch (i = 1, 2) into the low-order 6 bits and the high-order 8 bits.

The fundamental waveform is determined with the high-order 8-bit data "DH." A HIGH area with a length t × DH (HIGH area of fundamental waveform) is output every short area of "t" = 256τ = 64 μ s (τ is the minimum resolution bit width of 250 ns). The HIGH level area increase interval (tm) is determined with the low-order 6-bit data "DL." The HIGH are of smaller intervals "tm" shown in Table 5 is longer by t than that of other smaller intervals in PWM repeat period "T" = 64t. Thus, a rectangular waveform with the different HIGH width is output from the DA_i pins (i = 1, 2). Accordingly, the PWM output changes by τ unit pulse width by changing the contents of the DA_i-H and DA_i-L registers (i = 1, 2). A length of entirely HIGH cannot be output, i. e. 256/256.

8.7.5 Output after Reset

At reset, the output of ports P00-P05 and P17 are in the high-impedance state, and the contents of the PWM register and the PWM circuit are undefined. Note that after reset, the PWM output is undefined until setting the PWM register.

Table 8.7.1 Relation Between the Low-order 6-bit Data and High-level Area Increase Interval

Low-order 6 bits of Data	Area Longer by τ than That of Other tm (m = 0 to 63)
0 0 0 0 0 0 ^{LSB}	Nothing
0 0 0 0 0 1	m = 32
0 0 0 0 1 0	m = 16, 48
0 0 0 1 0 0	m = 8, 24, 40, 56
0 0 1 0 0 0	m = 4, 12, 20, 28, 36, 44, 52, 60
0 1 0 0 0 0	m = 2, 6, 10, 14, 18, 22, 26, 30, 34, 38, 42, 46, 50, 54, 58, 62
1 0 0 0 0 0	m = 1, 3, 5, 7, 57, 59, 61, 63

M37225M6-XXXSP, M37225M8-XXXSP M37225ECSP

SINGLE-CHIP 8-BIT CMOS MICROCOMPUTER for VOLTAGE SYNTHESIZER
with ON-SCREEN DISPLAY CONTROLLER

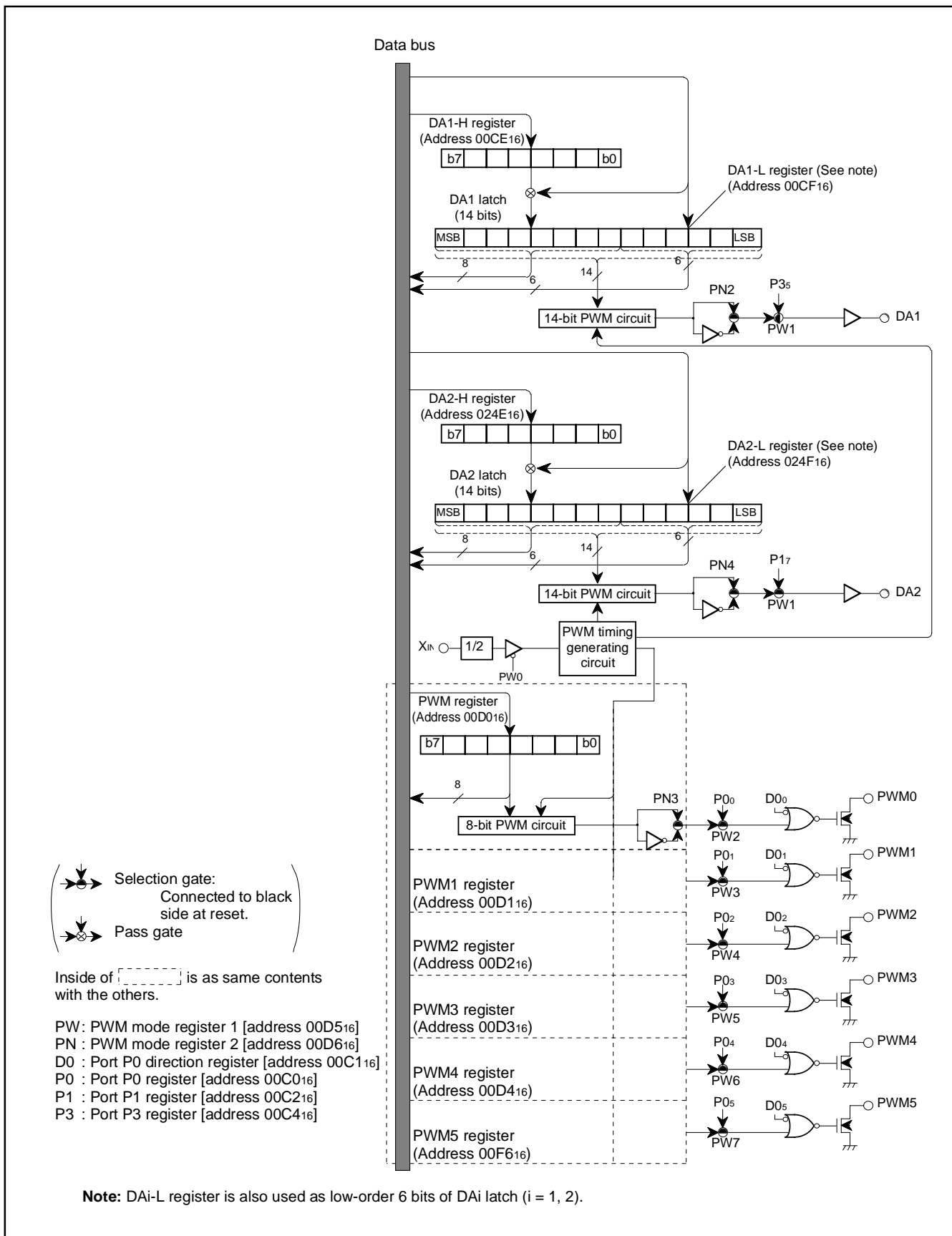


Fig. 8.7.1 PWM Block Diagram

M37225M6-XXXSP, M37225M8-XXXSP M37225ECSP

SINGLE-CHIP 8-BIT CMOS MICROCOMPUTER for VOLTAGE SYNTHESIZER
with ON-SCREEN DISPLAY CONTROLLER

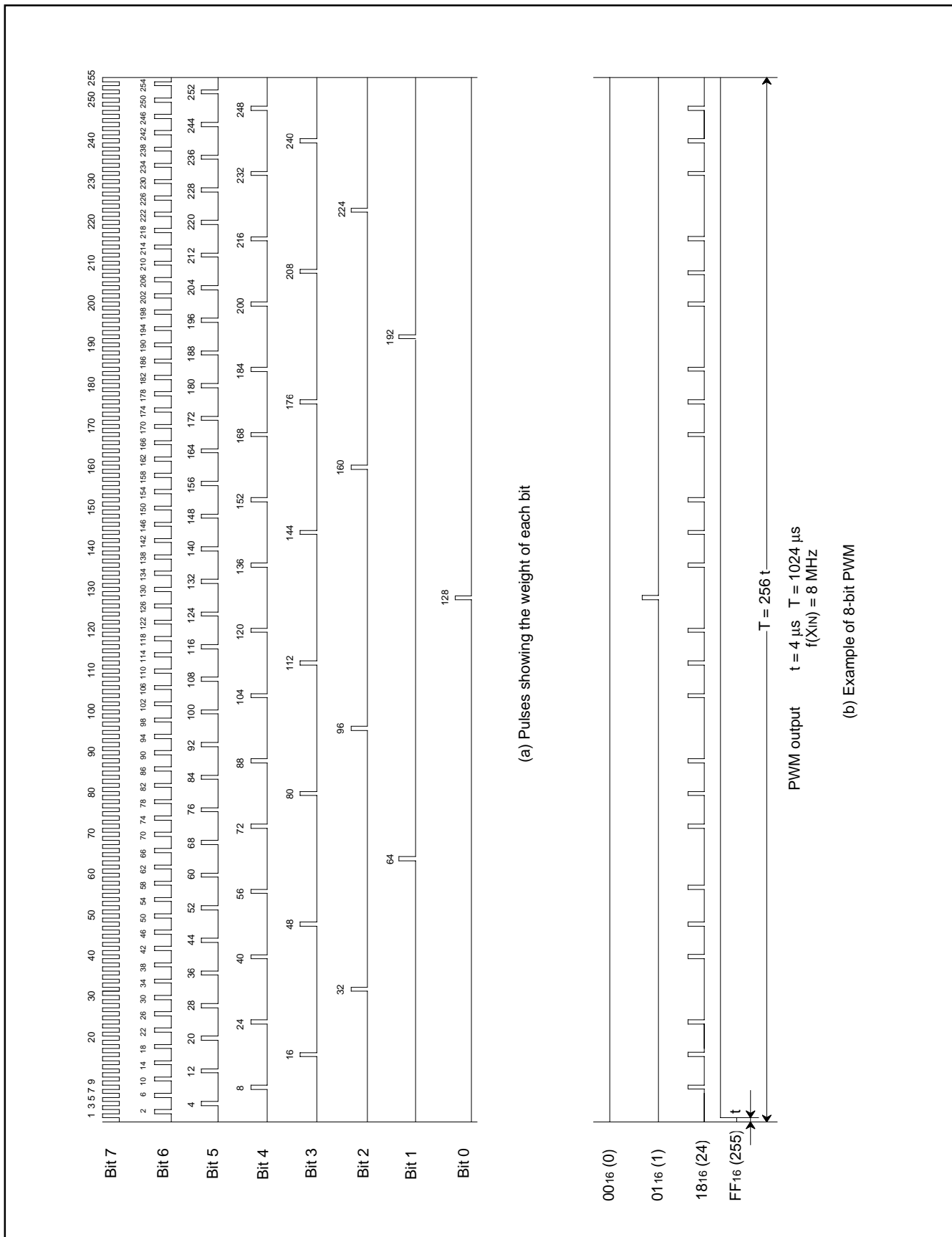


Fig. 8.7.2 PWM Timing

M37225M6-XXXSP, M37225M8-XXXSP M37225ECSP

SINGLE-CHIP 8-BIT CMOS MICROCOMPUTER for VOLTAGE SYNTHESIZER
with ON-SCREEN DISPLAY CONTROLLER

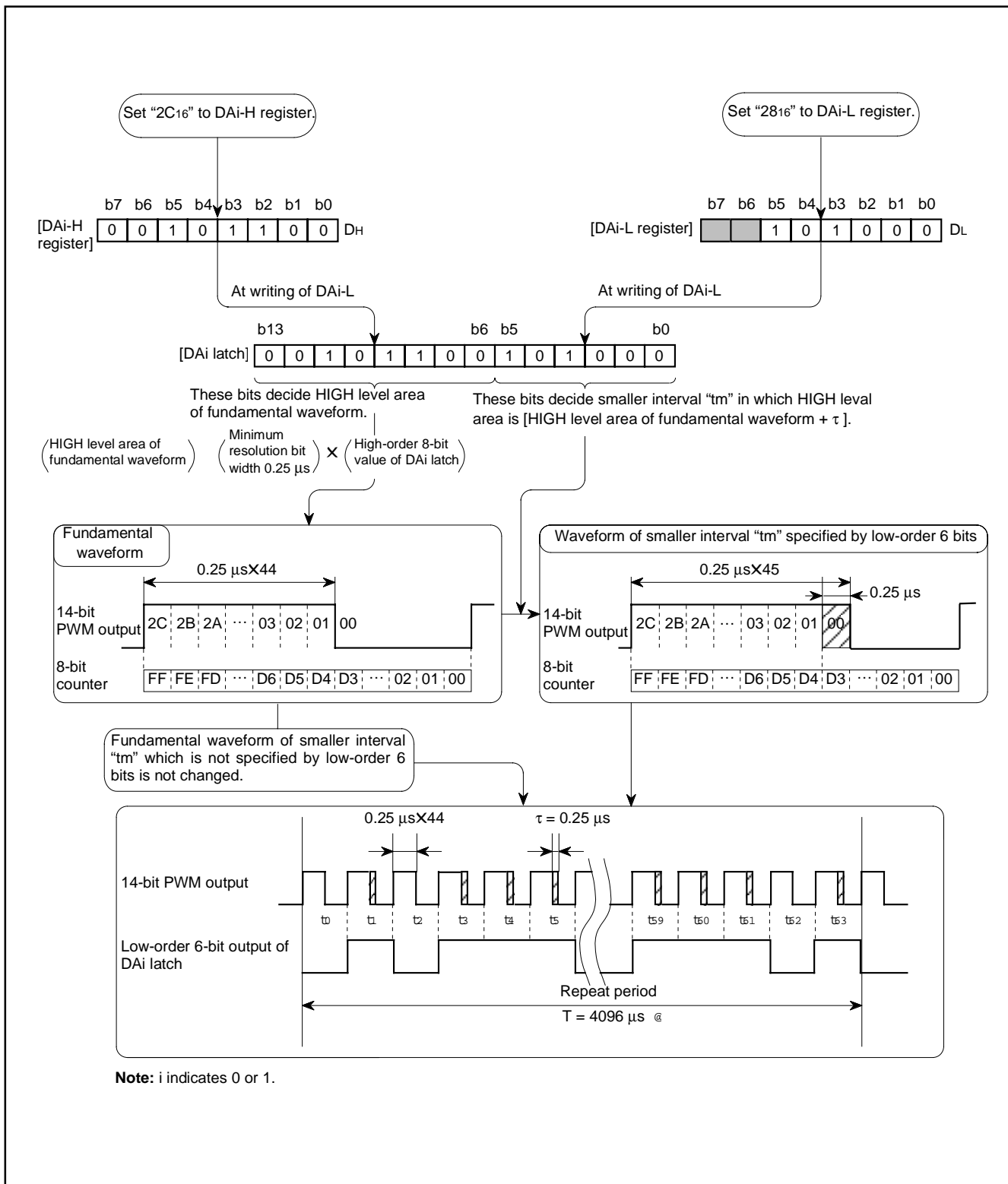
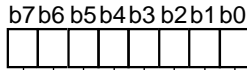


Fig. 8.7.3 14-bit PWM Timing (f(XIN) = 8 MHz)

**M37225M6-XXXSP, M37225M8-XXXSP
M37225ECSP**

SINGLE-CHIP 8-BIT CMOS MICROCOMPUTER for VOLTAGE SYNTHESIZER
with ON-SCREEN DISPLAY CONTROLLER

PWM Output Control Register 1

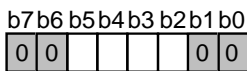


PWM output control register 1 (PW) [Address 00D56]

B	Name	Functions	After reset	R	W
0	DA1, DA2, PWM count source selection bit (PW0)	0 : Count source supply 1 : Count source stop	0	R	W
1	DA1 output/P35 selection bit (PW1)	0 : DA1 output 1 : P35 output	0	R	W
2	P00/PWM0 output selection bit (PW2)	0: P00 output 1: PWM0 output	0	R	W
3	P01/PWM1 output selection bit (PW3)	0: P01 output 1: PWM1 output	0	R	W
4	P02/PWM2 output selection bit (PW4)	0: P02 output 1: PWM2 output	0	R	W
5	P03/PWM3 output selection bit (PW5)	0: P03 output 1: PWM3 output	0	R	W
6	P04/PWM4 output selection bit (PW6)	0: P04 output 1: PWM4 output	0	R	W
7	P05/PWM5 output selection bit (PW7)	0: P05 output 1: PWM5 output	0	R	W

Fig. 8.7.4 PWM Output Control Register 1

PWM Output Control Register 2



PWM output control register 2 (PN) [Address 00D66]

B	Name	Functions	After reset	R	W
0, 1	Fix these bits to "0."		0	R	W
2	DA1 output polarity selection bit (PN3)	0 : Positive polarity 1 : Negative polarity	0	R	W
3	PWM output polarity selection bit (PN4)	0 : Positive polarity 1 : Negative polarity	0	R	W
4	DA2 output polarity selection bit (PN5)	0 : Output LOW 1 : Output HIGH	0	R	W
5	P17/DA2 output selection bit (PN5)	0 : P17 1 : DA2	0	R	W
6, 7	Fix these bits to "0."		0	R	W

Fig. 8.7.5 PWM Output Control Register 2

M37225M6-XXXSP, M37225M8-XXXSP M37225ECSP

SINGLE-CHIP 8-BIT CMOS MICROCOMPUTER for VOLTAGE SYNTHESIZER
with ON-SCREEN DISPLAY CONTROLLER

8.8 A-D CONVERTER

8.8.1 A-D Conversion Register (AD)

A-D conversion register is a read-only register that stores the result of an A-D conversion. This register should not be read during A-D conversion.

8.8.2 A-D Control Register (ADCON)

The A-D control register controls A-D conversion. Bits 2 to 0 of this register select analog input pins. When these pins are not used as analog input pins, they are used as ordinary I/O pins. Bit 3 is the A-D conversion completion bit, A-D conversion is started by writing "0" to this bit. The value of this bit remains at "0" during an A-D conversion, then changes to "1" when the A-D conversion is completed.

Bit 4 controls connection between the resistor ladder and Vcc. When not using the A-D converter, the resistor ladder can be cut off from the internal Vcc by setting this bit to "0," accordingly providing low-power dissipation.

8.8.3 Comparison Voltage Generator (Resistor Ladder)

The voltage generator divides the voltage between Vss and Vcc by 256, and outputs the divided voltages to the comparator as the reference voltage Vref.

8.8.4 Channel Selector

The channel selector connects an analog input pin, selected by bits 2 to 0 of the A-D control register, to the comparator.

8.8.5 Comparator and Control Circuit

The conversion result of the analog input voltage and the reference voltage "Vref" is stored in the A-D conversion register. The A-D conversion completion bit and A-D conversion interrupt request bit are set to "1" at the completion of A-D conversion.

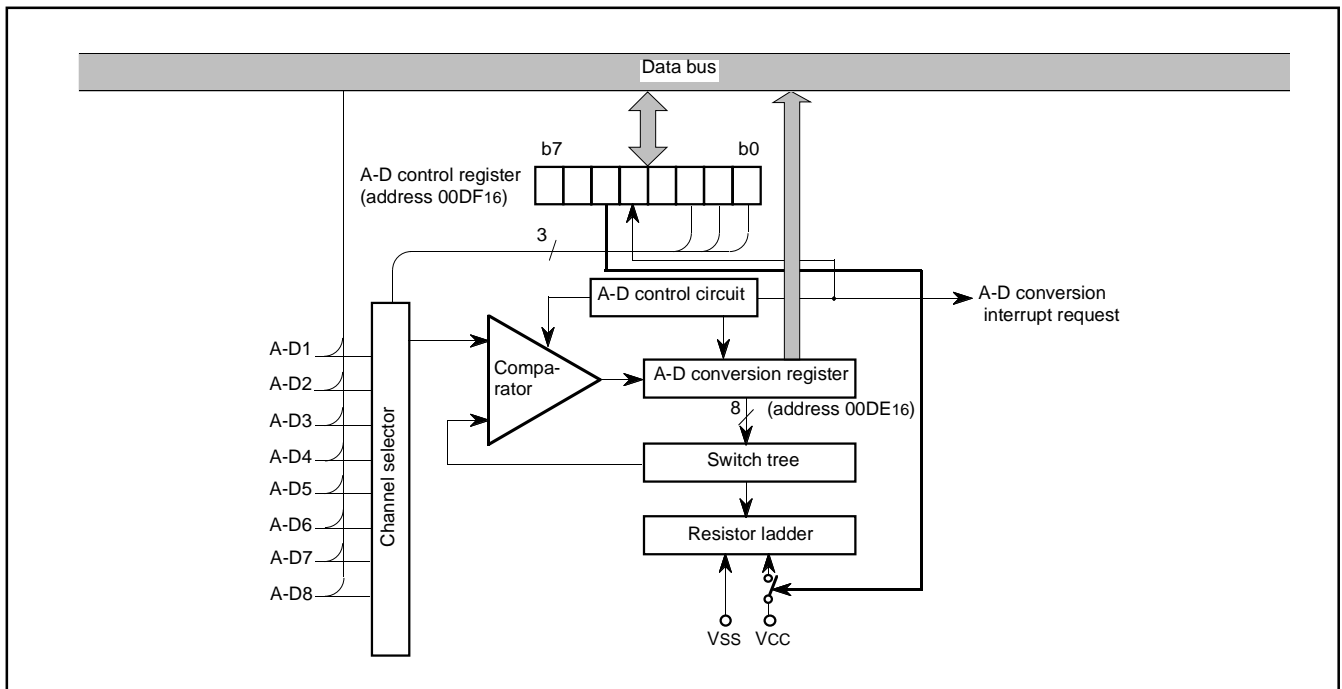


Fig. 8.8.1 A-D Converter Block Diagram

**M37225M6-XXXSP, M37225M8-XXXSP
M37225ECSP**

SINGLE-CHIP 8-BIT CMOS MICROCOMPUTER for VOLTAGE SYNTHESIZER
with ON-SCREEN DISPLAY CONTROLLER

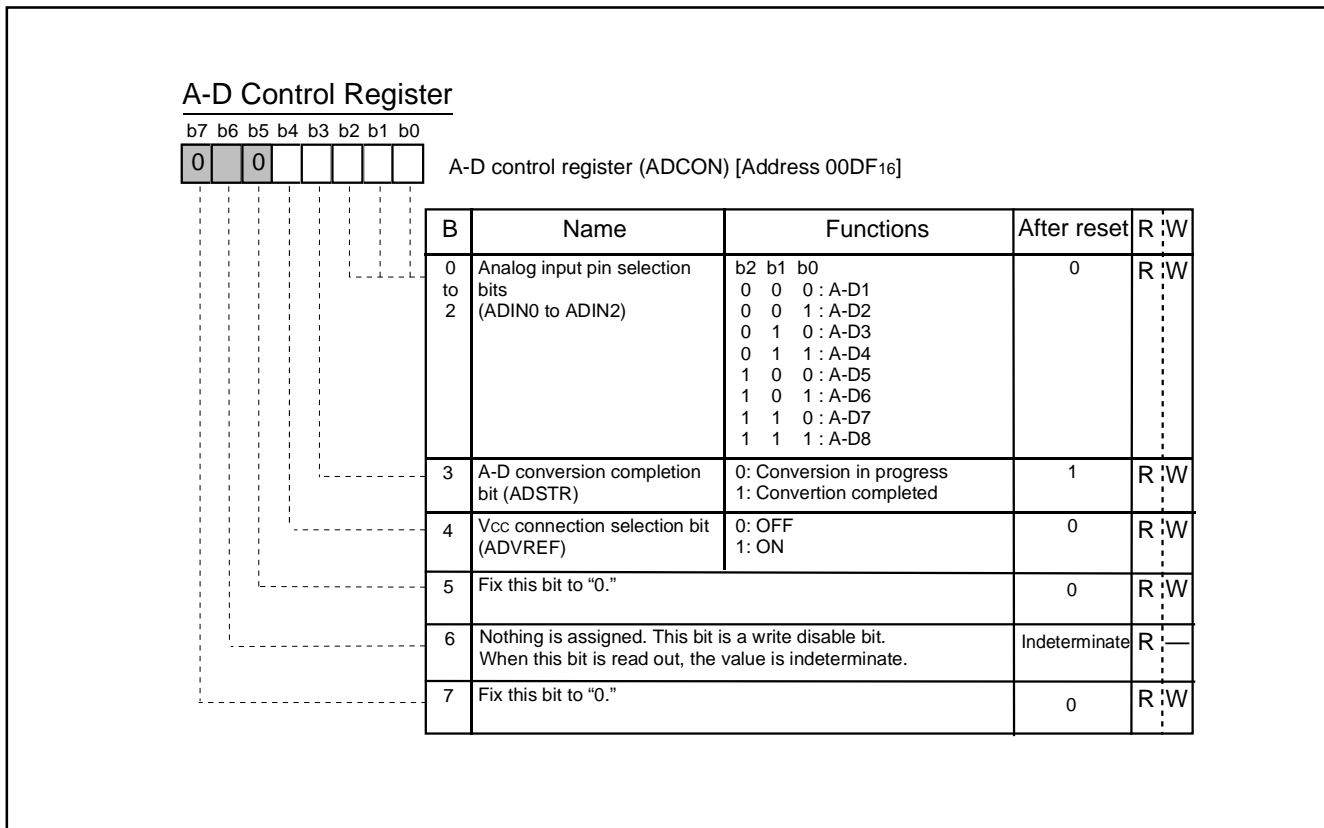


Fig. 8.8.2 A-D Control Register

M37225M6-XXXSP, M37225M8-XXXSP M37225ECSP

SINGLE-CHIP 8-BIT CMOS MICROCOMPUTER for VOLTAGE SYNTHESIZER
with ON-SCREEN DISPLAY CONTROLLER

8.8.6 Conversion Method

- ① Set the A-D conversion interrupt request bit to "0" (even when A-D conversion is started, the A-D conversion interrupt request bit is not set to "0" automatically).
- ② When using A-D conversion interrupt, enable interrupts by setting A-D conversion interrupt enable bit to "1" and setting the interrupt disable flag to "0."
- ③ Set the Vcc connection selection bit to "1" to connect Vcc to the resistor ladder.
- √ Select analog input pins by the analog input selection bit of the A-D control register.
- ⑤ Set the A-D conversion completion bit to "0." This write operation starts the A-D conversion. Do not read the A-D conversion register during the A-D conversion.
- ≈ Verify the completion of the conversion by the state ("1") of the A-D conversion completion bit, the state ("1") of A-D conversion interrupt request bit, or the occurrence of an A-D conversion interrupt.
- Δ Read the A-D conversion register to obtain the conversion results.

Note : When the ladder resistor is disconnect from Vcc, set the Vcc connection selection bit to "0" between steps ≈ and Δ.

8.8.7 Internal Operation

When the A-D conversion starts, the following operations are automatically performed.

- ① The A-D conversion register is set to "0016."
- ② The most significant bit of the A-D conversion register becomes "1," and the comparison voltage "Vref" is input to the comparator. At this point, Vref is compared with the analog input voltage "VIN."
- ③ Bit 7 is determined by the comparison results as follows.
When $V_{ref} < V_{IN}$: bit 7 holds "1"
When $V_{ref} > V_{IN}$: bit 7 becomes "0"

With the above operations, the analog value is converted into a digital value. The A-D conversion terminates in a maximum of 50 machine cycles (8.5 μs at $f(XIN) = 8$ MHz) after it starts, and the conversion result is stored in the A-D conversion register.

An A-D conversion interrupt request occurs at the same time as A-D conversion completion, the A-D conversion interrupt request bit becomes "1." The A-D conversion completion bit also becomes "1."

Table 8.8.1 Expression for Vref and VREF

A-D conversion register contents "n" (decimal notation)	Vref (V)
0	0
1 to 255	$\frac{V_{REF}}{256} \sim (n \mid 0.5)$

Note: VREF indicates the reference voltage (= Vcc).

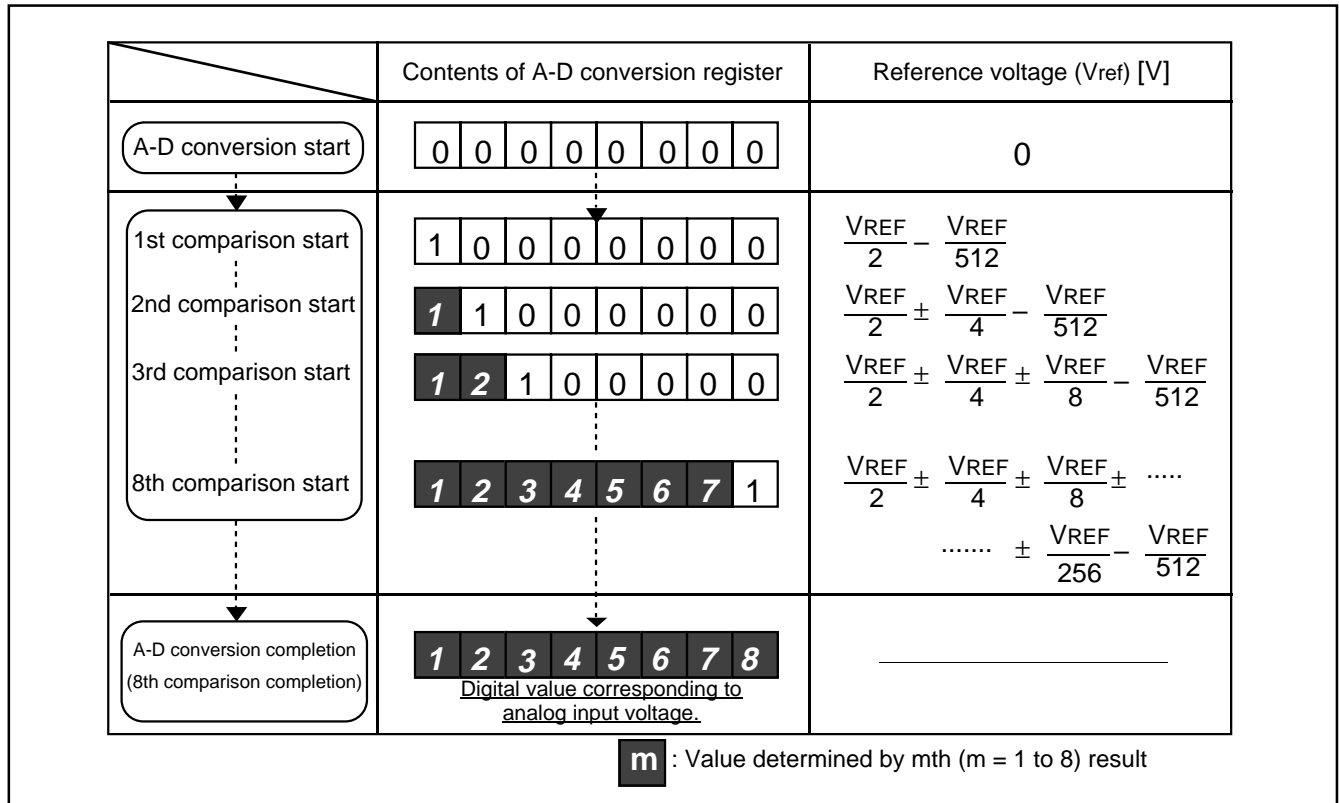


Fig. 8.8.3 Changes in A-D Conversion Register and Comparison Voltage during A-D Conversion

M37225M6-XXXSP, M37225M8-XXXSP M37225ECSP

SINGLE-CHIP 8-BIT CMOS MICROCOMPUTER for VOLTAGE SYNTHESIZER
with ON-SCREEN DISPLAY CONTROLLER

8.8.8 Definition of A-D Conversion Accuracy

The definition of A-D conversion accuracy is described below (refer to Figure 8.8.4).

(1) Relative Accuracy

• Zero transition error (V_{0T})

The deviation of the input voltage at which A-D conversion output data changes from "0" to "1," from the corresponding ideal A-D conversion characteristics between 0 and V_{REF}.

$$V_{0T} = \frac{(V_0 - 1/2 \times V_{REF}/256)}{1LSB} \quad [LSB]$$

• Full-scale transition error (V_{FST})

The deviation of the input voltage at which A-D conversion output data changes from "255" to "254," from the corresponding ideal A-D conversion characteristics between 0 and V_{REF}.

$$V_{FST} = \frac{(V_{REF} - 3/2 \times V_{REF}/256) - V_{254}}{1LSB} \quad [LSB]$$

• Non-linearity error

The deviation of the actual A-D conversion characteristics, from the ideal A-D conversion characteristics between V₀ and V₂₅₄.

$$\text{Non-linearity error} = \frac{V_n - (1LSB \times n + V_0)}{1LSB} \quad [LSB]$$

• Differential non-linearity error

The deviation of the input voltage required to change output data by "1," from the corresponding ideal A-D conversion characteristics between 0 and V_{REF}.

$$\text{Differential non-linearity error} = \frac{(V_{n+1} - V_n) - 1LSB}{1LSB} [LSB]$$

(2) Absolute Accuracy

• Absolute accuracy error

The deviation of the actual A-D conversion characteristics, from the ideal A-D conversion characteristics between 0 and V_{REF}.

$$\text{Absolute accuracy error} = \frac{V_n - 1LSBA \times (n + 1/2)}{1LSBA} \quad [LSB]$$

Note: The analog input voltage "V_n" at which A-D conversion output data changes from "n" to "n + 1" (n ; 0 to 254) is as follows (refer to Figure 8.8.4) :

$$1LSB \text{ with respect to relative accuracy} = \frac{V_{254} - V_0}{254} \quad [V]$$

$$1LSBA \text{ with respect to absolute accuracy} = \frac{V_{REF}}{256} \quad [V]$$

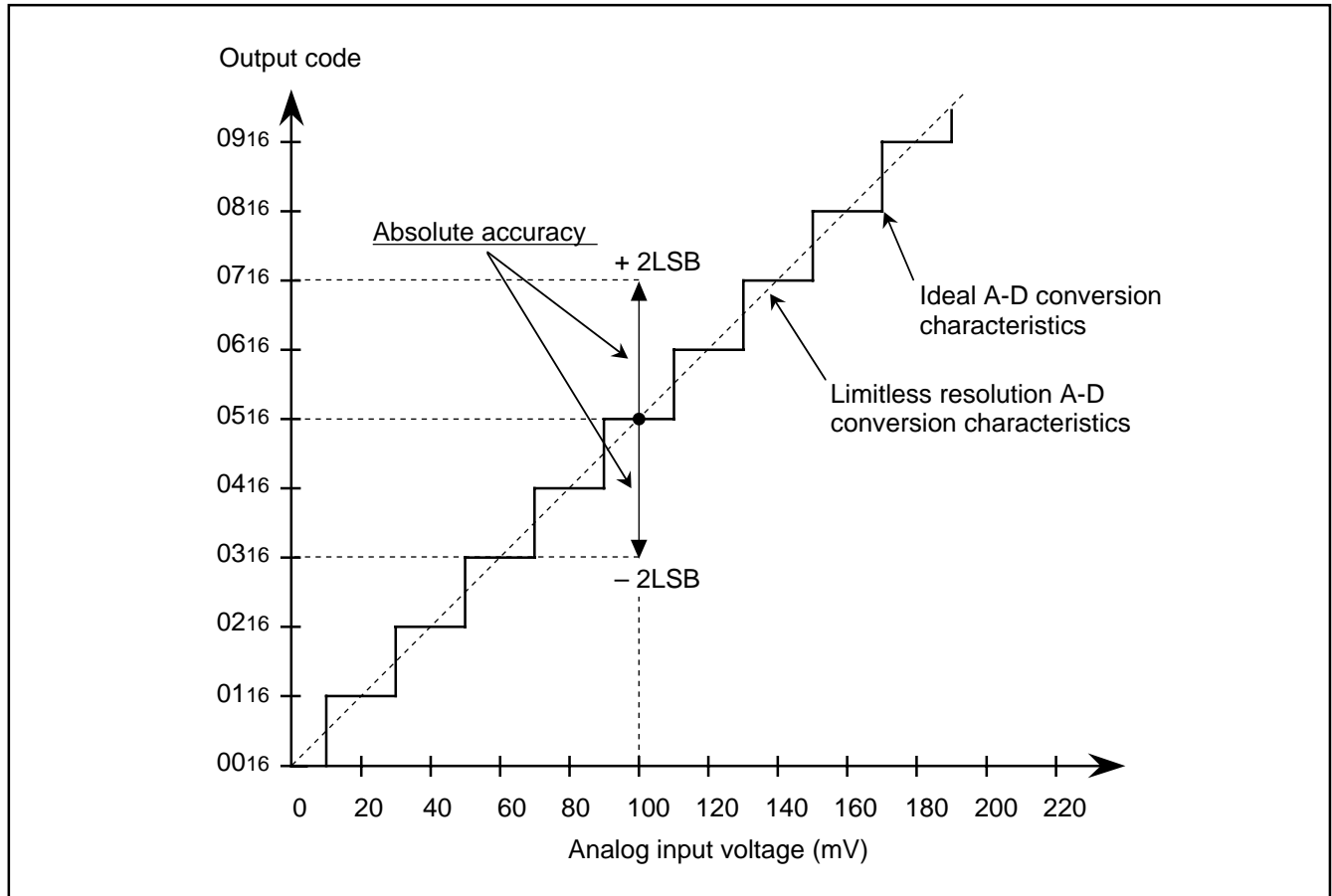


Fig. 8.8.4 Definition of A-D Conversion Accuracy

M37225M6-XXXSP, M37225M8-XXXSP M37225ECSP

SINGLE-CHIP 8-BIT CMOS MICROCOMPUTER for VOLTAGE SYNTHESIZER
with ON-SCREEN DISPLAY CONTROLLER

8.9 ROM CORRECTION FUNCTION

This can correct program data in ROM. Up to 3 addresses can be corrected, a program for correction is stored in the ROM correction vector in RAM as the top address. The ROM correction vectors are 3 vectors.

- Vector 1 : address 02C0₁₆
- Vector 2 : address 02E0₁₆
- Vector 3 : address 0300₁₆

Set the address of the ROM data to be corrected into the ROM correction address register. When the value of the counter matches the ROM data address in the ROM correction vector as the top address, the main program branches to the correction program stored in the ROM memory for correction. To return from the correction program to the main program, the op code and operand of the JMP instruction (total of 3 bytes) are necessary at the end of the correction program. The ROM correction function is controlled by the ROM correction enable register.

- Notes 1:** Specify the first address (op code address) of each instruction as the ROM correction address.
2: Use the JMP instruction (total of 3 bytes) to return from the correction program to the main program.
3: Do not set the same ROM correction address to vectors 1 to 3.

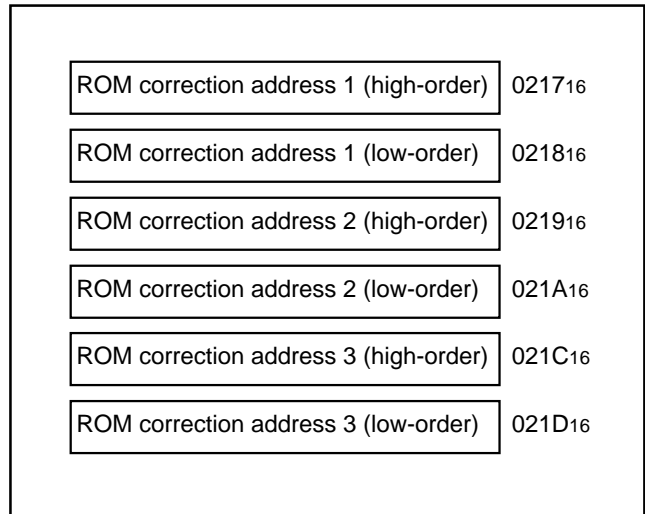


Fig. 8.9.1 ROM Correction Address Registers

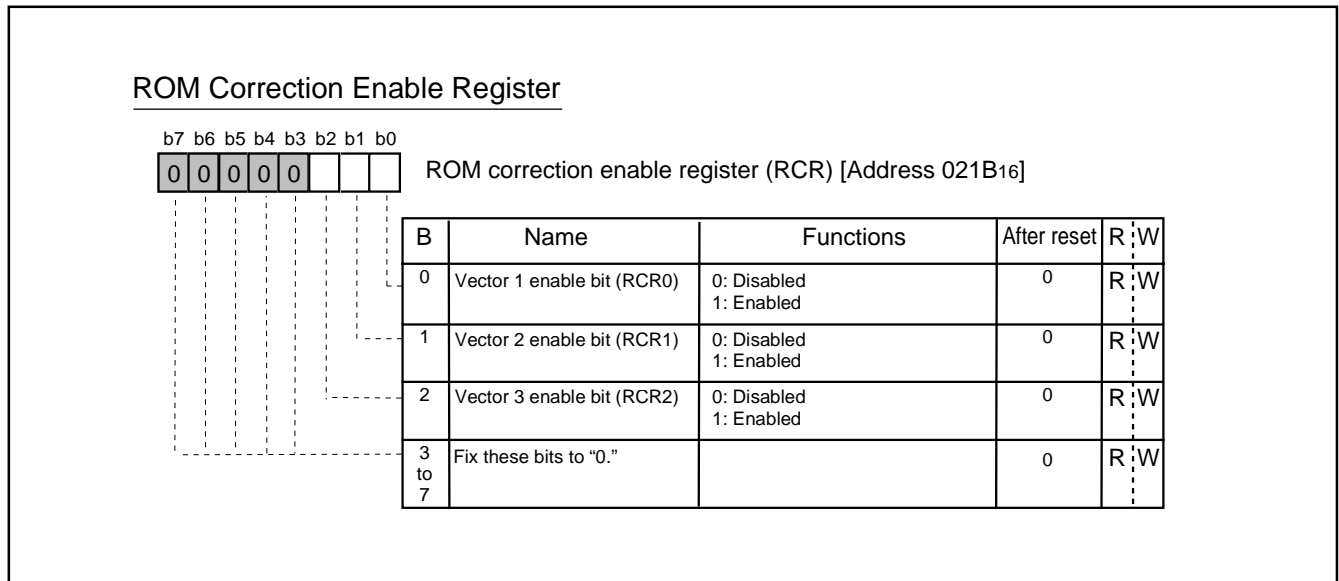


Fig. 8.9.2 ROM Correction Enable Register

M37225M6-XXXSP, M37225M8-XXXSP M37225ECSP

SINGLE-CHIP 8-BIT CMOS MICROCOMPUTER for VOLTAGE SYNTHESIZER
with ON-SCREEN DISPLAY CONTROLLER

8.10 OSD FUNCTIONS

This OSD function can display the following 3 types:

- "Block display" (24 characters X 2 lines)
- "SPRITE display" (display only a character) or "Raster patterning display" (display a character on entire screen side by side)
- "Raster flat display" (coloring entire screen)

The above displays can be overlapped at the same time. The priority is :

SPRITE display > Block display > Raster flat display

or

Block display > Raster patterning display > Raster flat display

Note that raster patterning display and SPRITE display cannot be used simultaneously.

Figure 8.10.2 shows the block diagram of OSD circuit, Figure 8.10.3 shows the configuration of OSD character display area, Figure 8.10.4 shows the OSD control register.

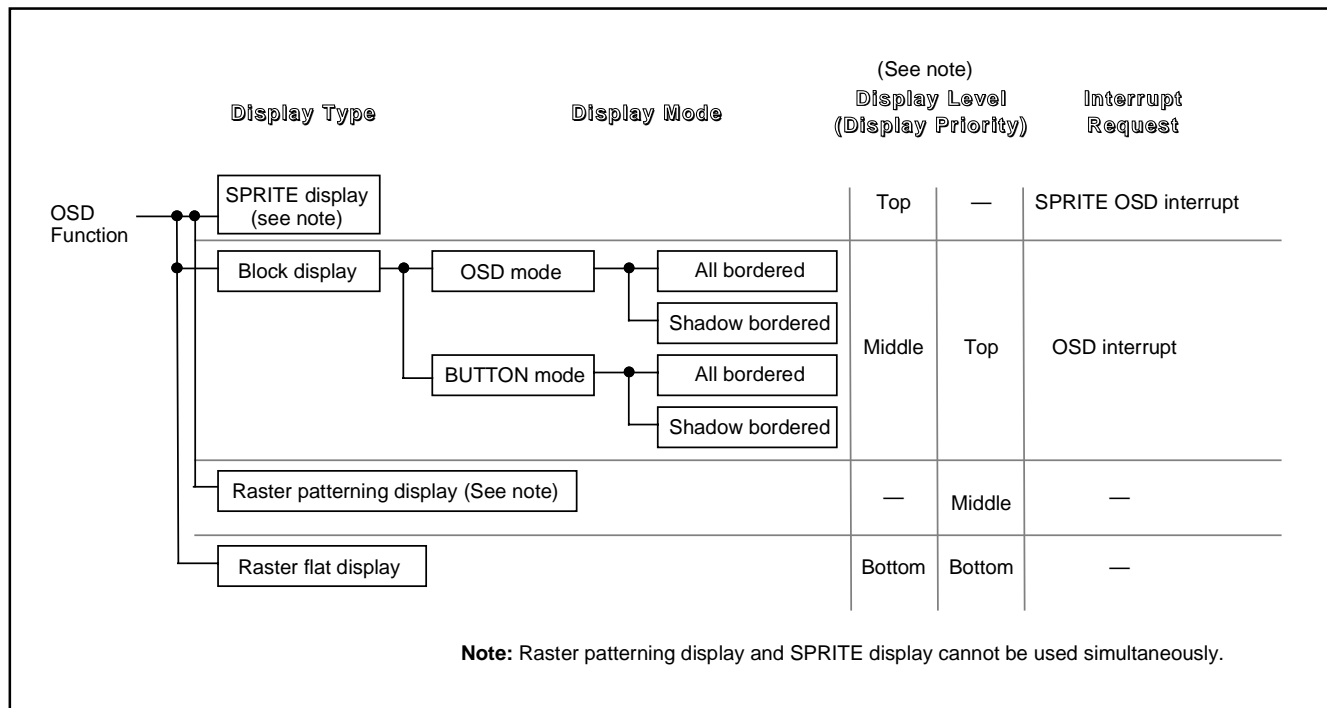


Fig. 8.10.1 Display Types of OSD Function

**M37225M6-XXXSP, M37225M8-XXXSP
M37225ECSP**

SINGLE-CHIP 8-BIT CMOS MICROCOMPUTER for VOLTAGE SYNTHESIZER
with ON-SCREEN DISPLAY CONTROLLER

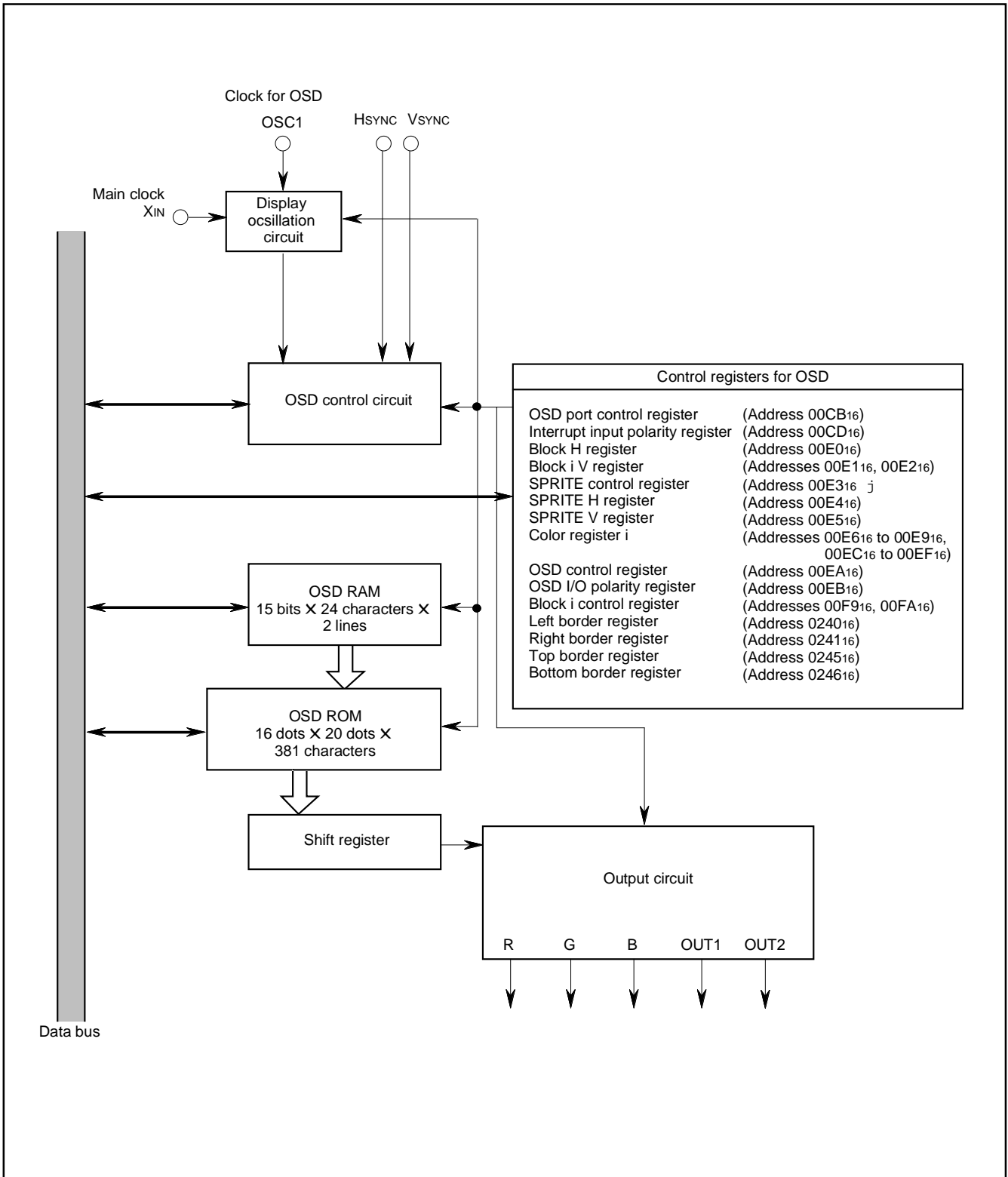


Fig. 8.10.2 Block Diagram of OSD Circuit

M37225M6-XXXSP, M37225M8-XXXSP M37225ECSP

SINGLE-CHIP 8-BIT CMOS MICROCOMPUTER for VOLTAGE SYNTHESIZER
with ON-SCREEN DISPLAY CONTROLLER

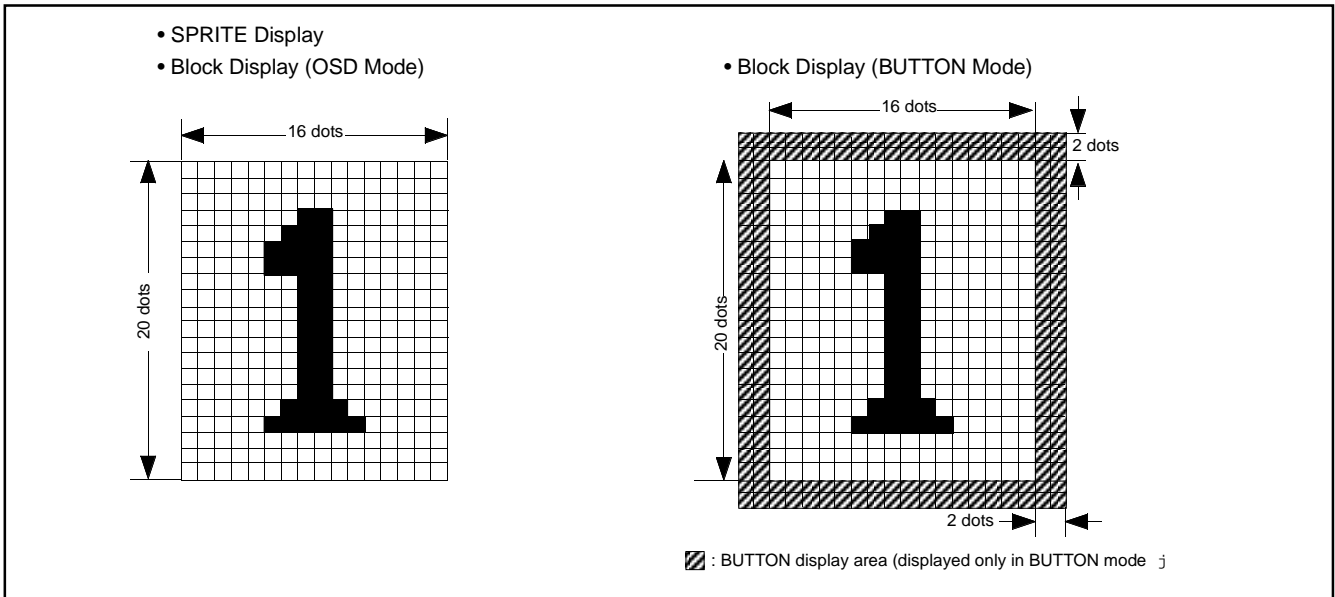


Fig. 8.10.3 Configuration of OSD Character Display Area

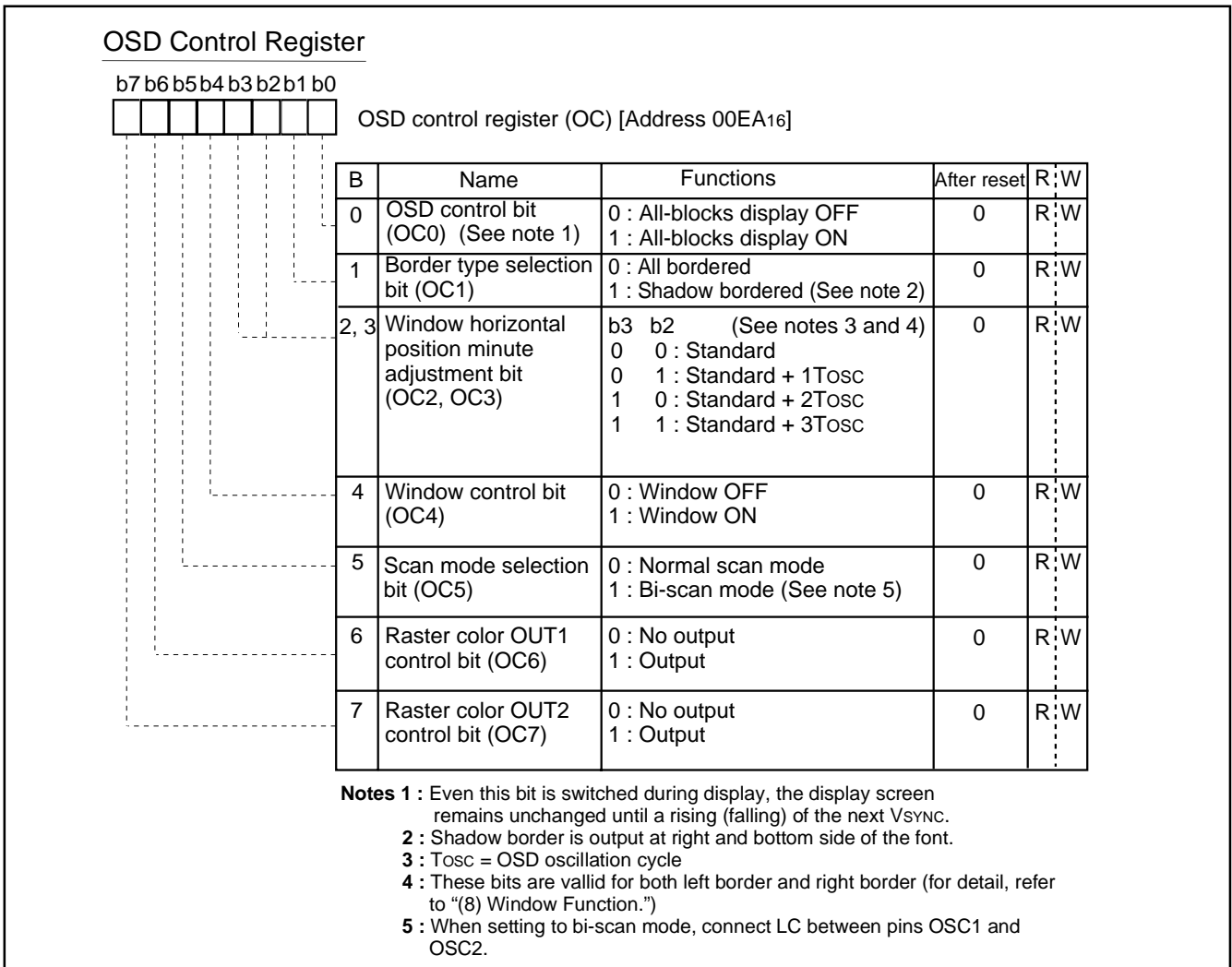


Fig. 8.10.4 OSD Control Register

M37225M6-XXXSP, M37225M8-XXXSP M37225ECSP

SINGLE-CHIP 8-BIT CMOS MICROCOMPUTER for VOLTAGE SYNTHESIZER
with ON-SCREEN DISPLAY CONTROLLER

(1) Clock for OSD

As a clock for display to be used for OSD, it is possible to select one of the following 3 types.

- Main clock from the pins XIN and XOUT
- Clock from the LC or RC oscillator supplied from the pins OSC1 and OSC2
- Clock from the ceramic resonator or the quartz-crystal oscillator from the pins OSC1 and OSC2

The clock for display to be used for OSD can be selected by bits 0 and 1 of the interrupt input polarity register (address 00CD16).

And besides, when selecting main clock, set the oscillation frequency to 8 MHz.

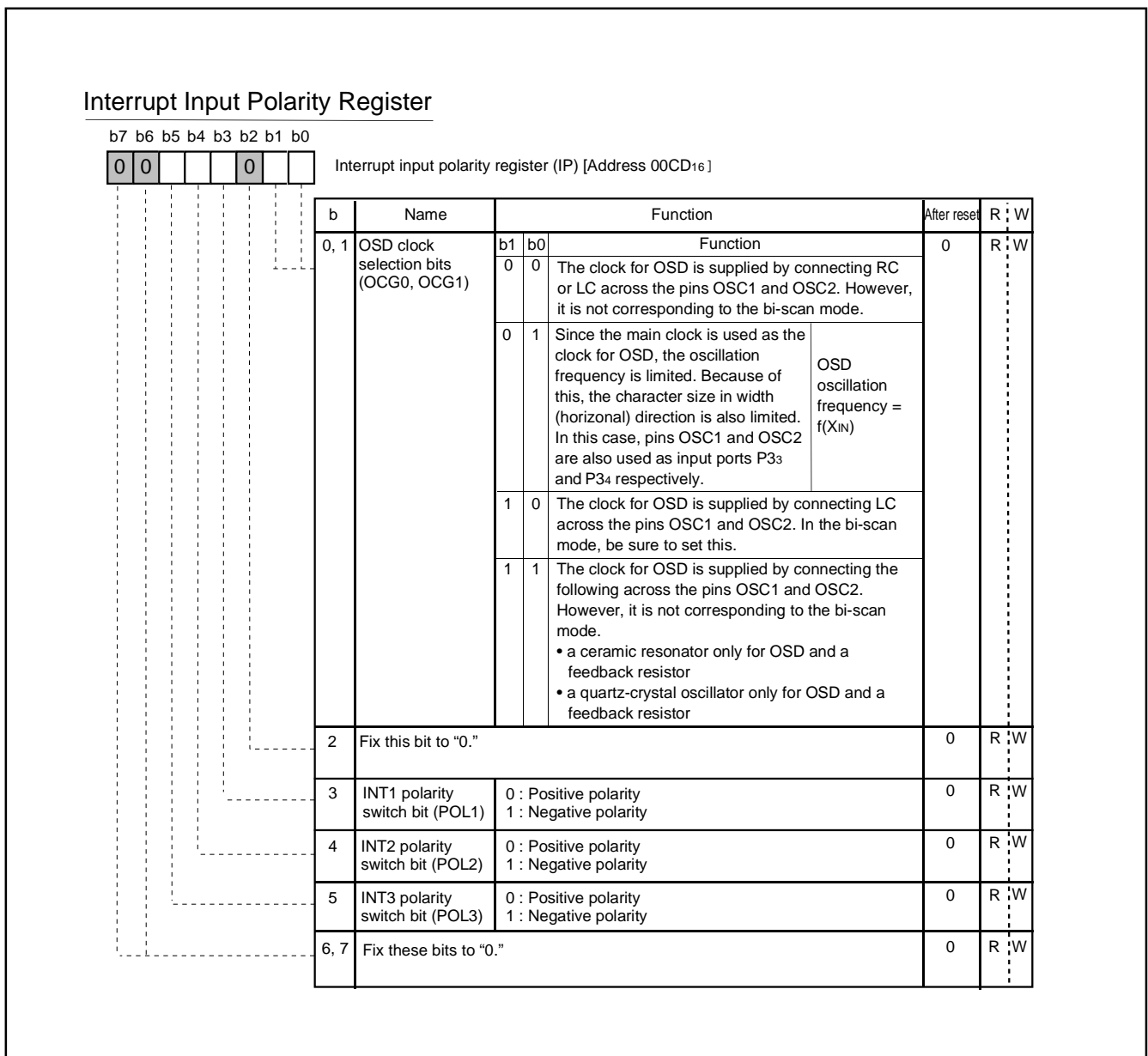


Fig. 8.10.5 Interrupt Input Polarity Register

**M37225M6-XXXSP, M37225M8-XXXSP
M37225ECSP**

SINGLE-CHIP 8-BIT CMOS MICROCOMPUTER for VOLTAGE SYNTHESIZER
with ON-SCREEN DISPLAY CONTROLLER

(2) Scan mode

This microcomputer has the bi-scan mode for corresponding to HSYNC of double-speed frequency. In the bi-scan mode, the vertical start display position and the vertical dot size is two times as compared with the normal scan mode. The scan mode is selected by bit 5 of the OSD control register (refer to Figure 8.10.3).

Table 8.10.1 Setting for Scan Mode

Parameter	Scan Mode	Normal Scan	Bi-Scan
Bit 5 of OSD Control Register		0	1
Vertical Display Start Position		Value of vertical position register X 1H	Value of vertical position register X 2H
Vertical Dot Size		1Tosc X 1H 2Tosc X 2H 3Tosc X 3H	1Tosc X 2H 2Tosc X 4H 3Tosc X 6H

Notes 1: TOSC = OSD oscillation cycle
2: H = HSYNC

M37225M6-XXXSP, M37225M8-XXXSP M37225ECSP

SINGLE-CHIP 8-BIT CMOS MICROCOMPUTER for VOLTAGE SYNTHESIZER
with ON-SCREEN DISPLAY CONTROLLER

(3) OSD input/output pin control

The OSD output pins R, G, B, OUT1 and OUT2 can also function as ports P52, P53, P54, P55, P10 respectively. Switch either OSD output function or port function by the OSD port control register (address 00CB16).

The input polarity of the Hsync, Vsync and output polarity of signals R, G, B, OUT1 and OUT2 can be specified with the OSD I/O polarity register (address 00EB16). Set a bit to "0" to specify positive polarity;

set it to "1" to specify negative polarity.

Figure 8.10.6 shows the OSD I/O polarity register and Figure 8.10.7 shows the OSD port control register.

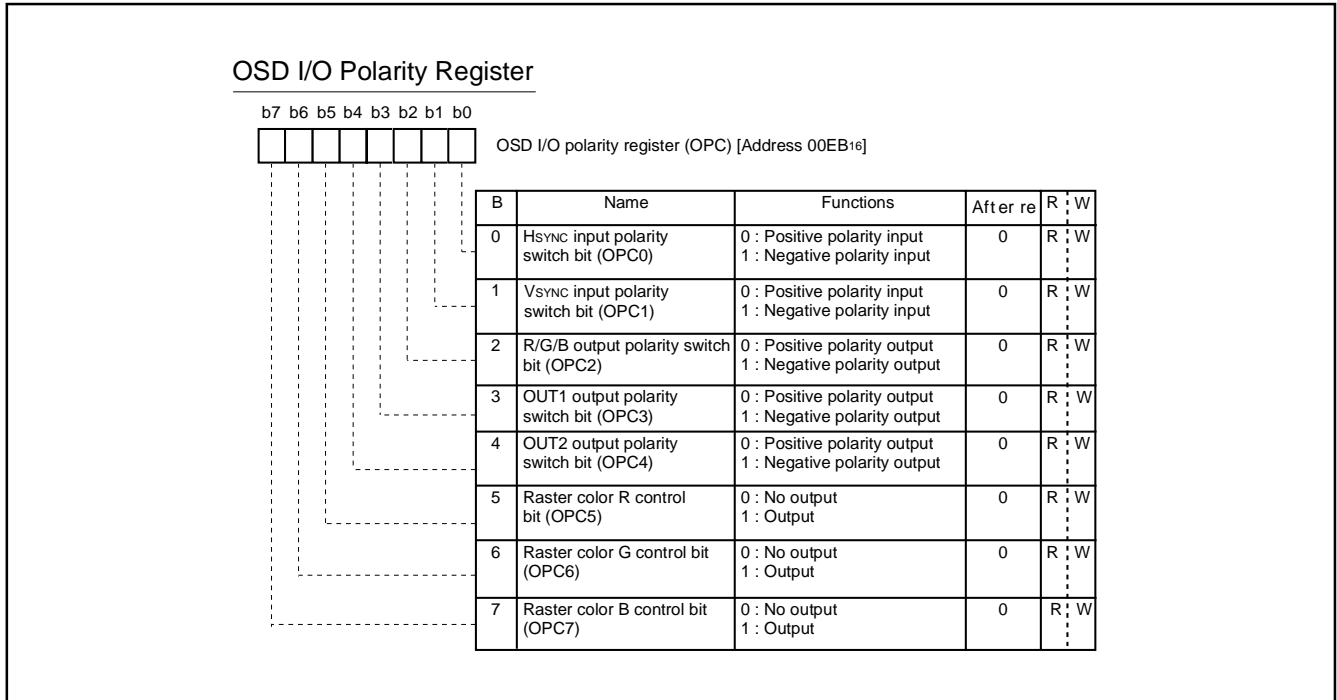


Fig. 8.10.6 OSD I/O Polarity Register

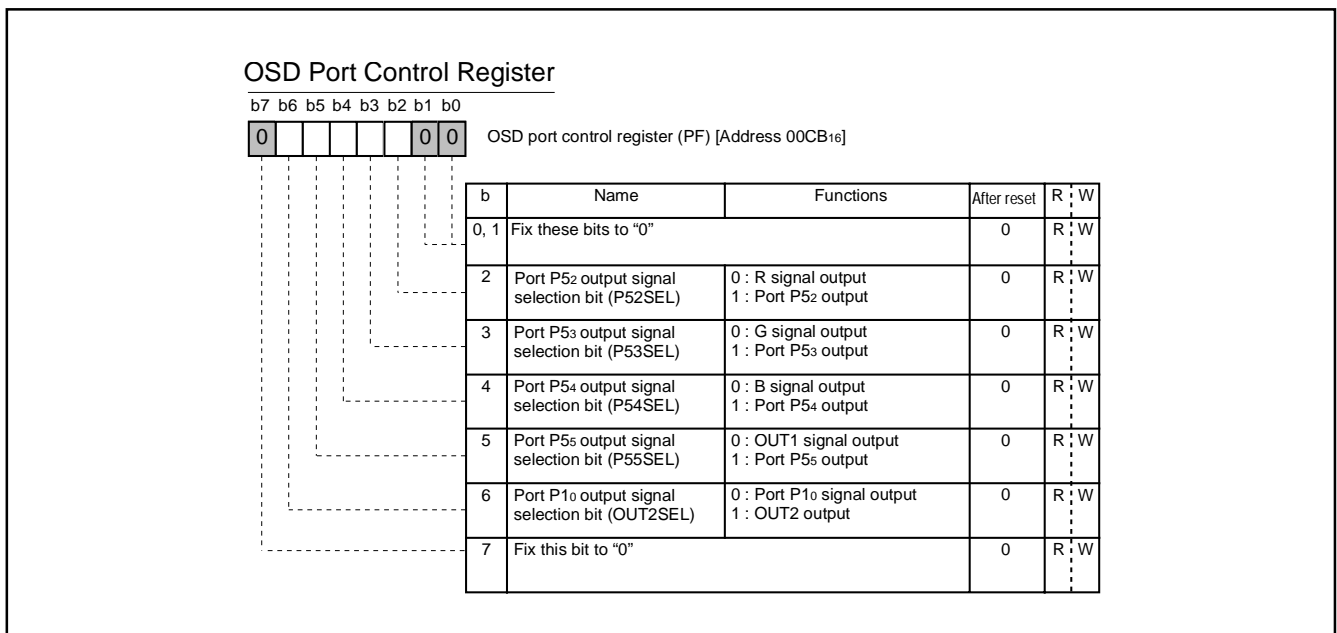


Fig. 8.10.7 OSD Port Control Register

M37225M6-XXXSP, M37225M8-XXXSP M37225ECSP

SINGLE-CHIP 8-BIT CMOS MICROCOMPUTER for VOLTAGE SYNTHESIZER
with ON-SCREEN DISPLAY CONTROLLER

8.10.1 Block Display

There are 2 display modes and they are selected by a block unit. The display modes are selected by bits 0 to 2 of block i control register (i = 1, 2).

The features of each mode are described below.

There are an extended display mode. This mode allows multiple lines (3 lines or more) to be displayed on the screen by interrupting the display each time one line is displayed and rewriting data in the block for which display is terminated by software.

Table 8.10.2 Features of Each Display Style of Block Display

Display style Parameter	Block display	
	OSD mode (On-screen display mode)	BUTTON mode (BUTTON display mode)
Number of display characters	24 characters X 2 lines	
Dot structure	16 X 20 dots	16 X 20 dots Character display area: (16 dots + 4 dots) X (20 dots + 4 dots)
Kinds of characters	381 kinds	
Kinds of character sizes	3 kinds	
Dot size	1Tosc X 1H, 2Tosc X 2H, 3Tosc X 3H (per block unit) (See notes 1, 2)	
Attribute	Border (per block unit)	<input type="checkbox"/> Border (per block unit) <input type="checkbox"/> BUTTON display (per character unit) <input type="checkbox"/> Block shadow display (per character unit)
Character font coloring	1 screen: 8 kinds (per character unit)	
Character background coloring	1 screen: 8 kinds (per character unit)	
OSD output	R, G, B	
Raster coloring	Possible (per screen unit)	
Other functions	<input type="checkbox"/> Corresponding to bi-scan <input type="checkbox"/> Window function (See note 3)	
Display position	Horizontal: 64 levels, Vertical: 255 levels	
Display expansion (multiline display)	Possible	

Notes 1: TOSC = OSD oscillation cycle
2: H = HSYNC
3: The SPRITE display is not effected by the window function.

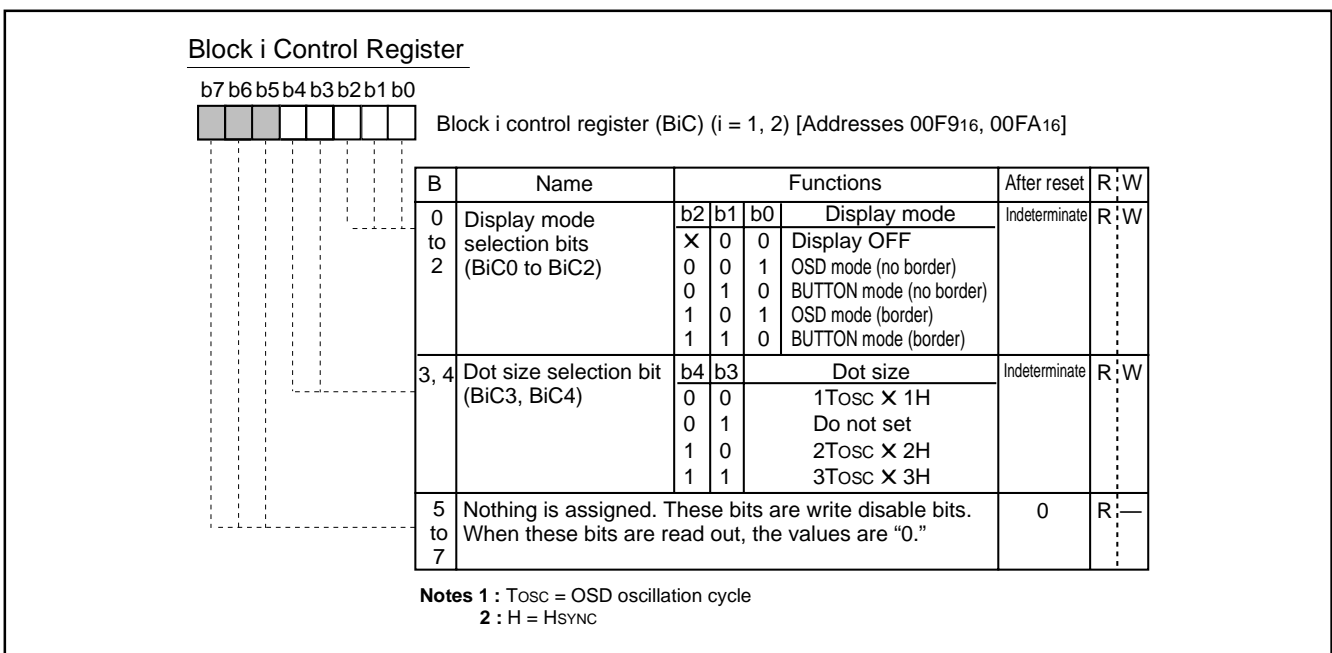


Fig. 8.10.8 Block i Control Register (i = 1, 2)

M37225M6-XXXSP, M37225M8-XXXSP M37225ECSP

SINGLE-CHIP 8-BIT CMOS MICROCOMPUTER for VOLTAGE SYNTHESIZER
with ON-SCREEN DISPLAY CONTROLLER

(1) Display position

The display positions of characters are specified by a block. There are 2 blocks, blocks 1 and 2. Up to 24 characters can be displayed in each block (refer to "(3) Memory for OSD").

The display position of each block can be set in both horizontal and vertical directions by software.

The display start position in the horizontal direction can be set for all blocks in common in 64-step display positions in units of 4TOSC (TOSC = OSD oscillation cycle).

The display start position in the vertical direction for each block can be set in 255-step display positions in units of 1 H (H = Hsync cycle).

Blocks are displayed in conformance with the following rules:

- When the display position of block 1 is overlapped with block 2 (Figure 8.10.9 (b)), block 1 is displayed on the front.
- When another block display position appears while one block is displayed (Figure 8.10.9 (c)), the block with a larger set value as the vertical display start position is displayed.

For the display position of SPRITE display, it is necessary to set independently, and it is possible to set display positions independently. Refer to "8.10.2 SPRITE Display."

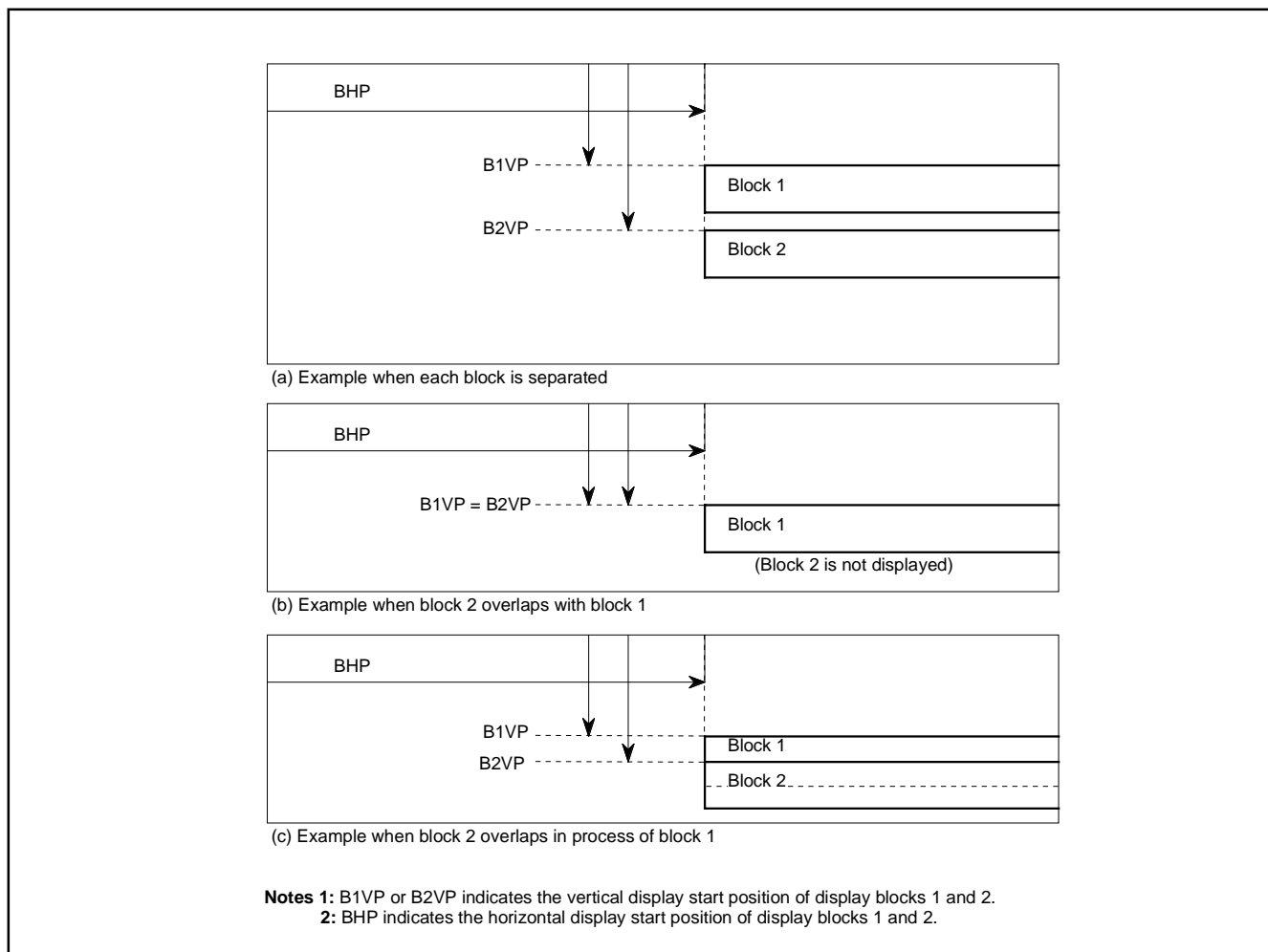


Fig. 8.10.9 Display Position

M37225M6-XXXSP, M37225M8-XXXSP M37225ECSP

SINGLE-CHIP 8-BIT CMOS MICROCOMPUTER for VOLTAGE SYNTHESIZER
with ON-SCREEN DISPLAY CONTROLLER

The vertical display start position is determined by counting the horizontal sync signal (HSYNC). At this time, when VSYNC and HSYNC are positive polarity (negative polarity), it starts to count the rising edge (falling edge) of HSYNC signal from after fixed cycle of rising edge (falling edge) of VSYNC signal. So interval from rising edge (falling edge) of VSYNC signal to rising edge (falling edge) of HSYNC signal needs enough time (2 machine cycles or more) for avoiding jitter. The polarity of HSYNC and VSYNC signals can select with the OSD I/O polarity register (address 00EB16).

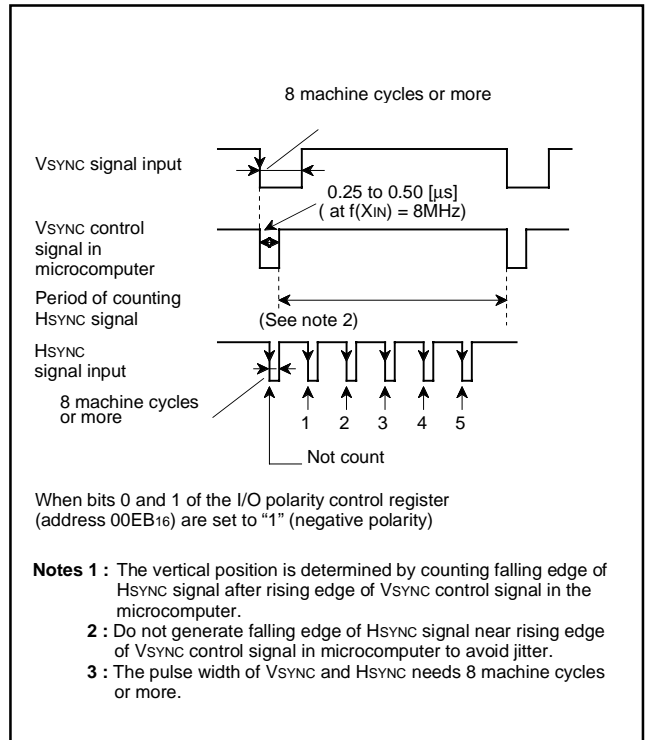


Fig. 8.10.10 Supplement Explanation for Display Position

The vertical display start position for each block can be set in 255 steps (where each step is 1H (H: HSYNC cycle)) as values "0116" to "FF16" in block i V register (i = 1, 2) (addresses 00E116 to 00E216). When setting the block i V register to "0116," the display is started at 18H of count value of HSYNC signal. The vertical display start position here indicates the top position of character display area in OSD/BUTTON mode.

The block i V register is shown in Figures 8.10.11.

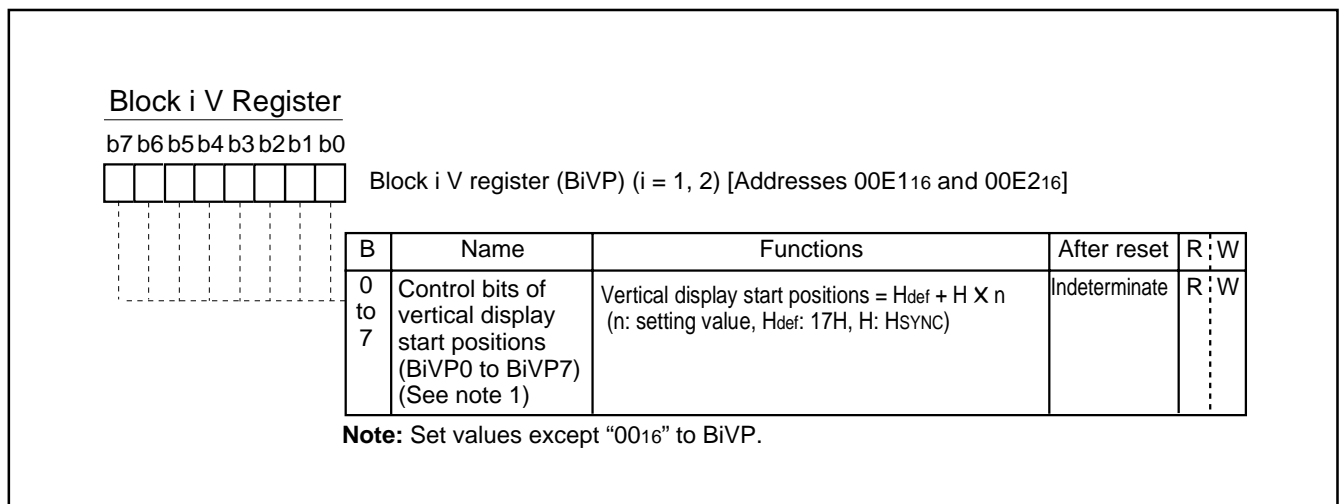


Fig. 8.10.11 Block i V Register (i = 1, 2)

M37225M6-XXXSP, M37225M8-XXXSP M37225ECSP

SINGLE-CHIP 8-BIT CMOS MICROCOMPUTER for VOLTAGE SYNTHESIZER
with ON-SCREEN DISPLAY CONTROLLER

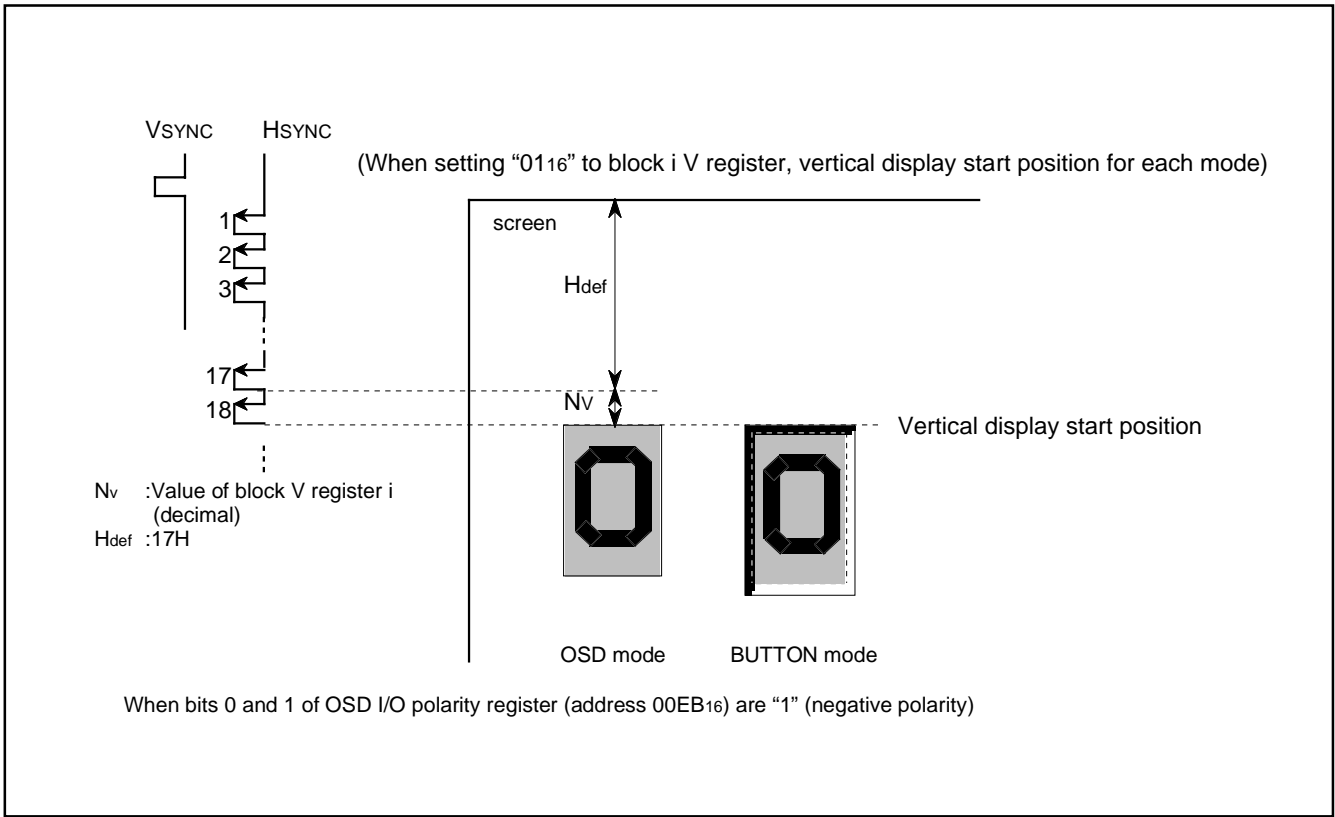


Fig. 8.10.12 Notes on Vertical Display Start Position

The horizontal display start position is common to all blocks, and can be set in 64 steps (where 1 step is 4Tosc, TOSC being the OSD oscillation cycle) as values "0016" to "3F16" in the block H register (address 00E016). The block H register is shown in Figure 8.10.13.

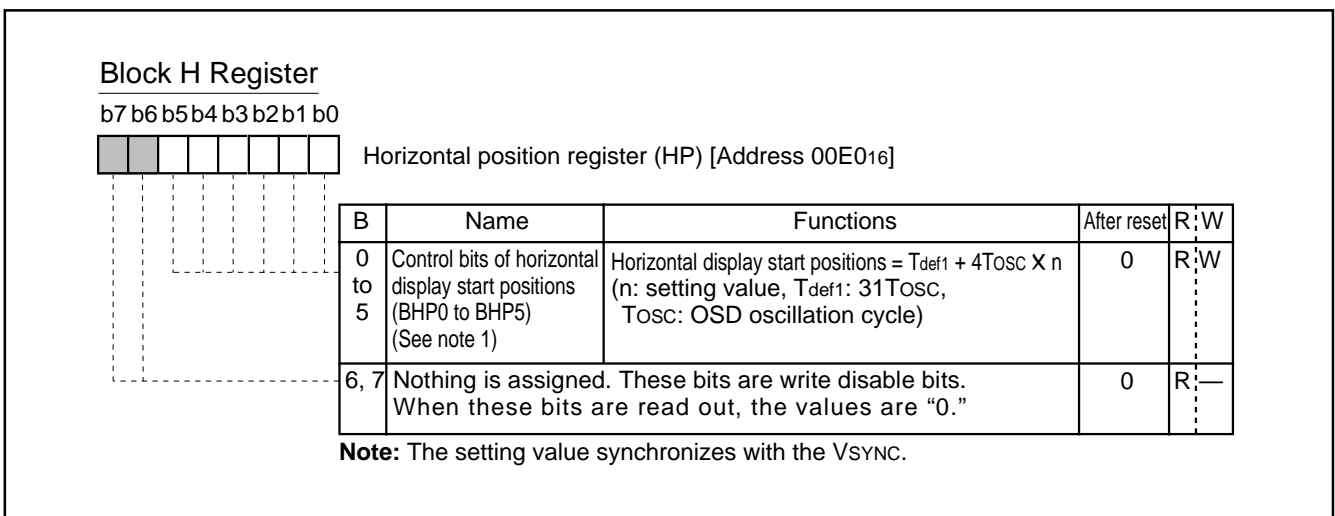


Fig. 8.10.13 Block H Register

M37225M6-XXXSP, M37225M8-XXXSP M37225ECSP

SINGLE-CHIP 8-BIT CMOS MICROCOMPUTER for VOLTAGE SYNTHESIZER
with ON-SCREEN DISPLAY CONTROLLER

When setting the block H register to "0016," it needs $31T_{osc}$ ($= T_{def1}$) from a rising edge (negative polarity) of HSYNC signal to horizontal display start position. The horizontal display start position here indicates the left position of the 1st character's BUTTON display area in BUTTON mode. When also changing character size, the horizontal display start position is the same. In OSD mode, display position is shifted for BUTTON display area (for 2 dots) from that of the same character size in BUTTON mode.

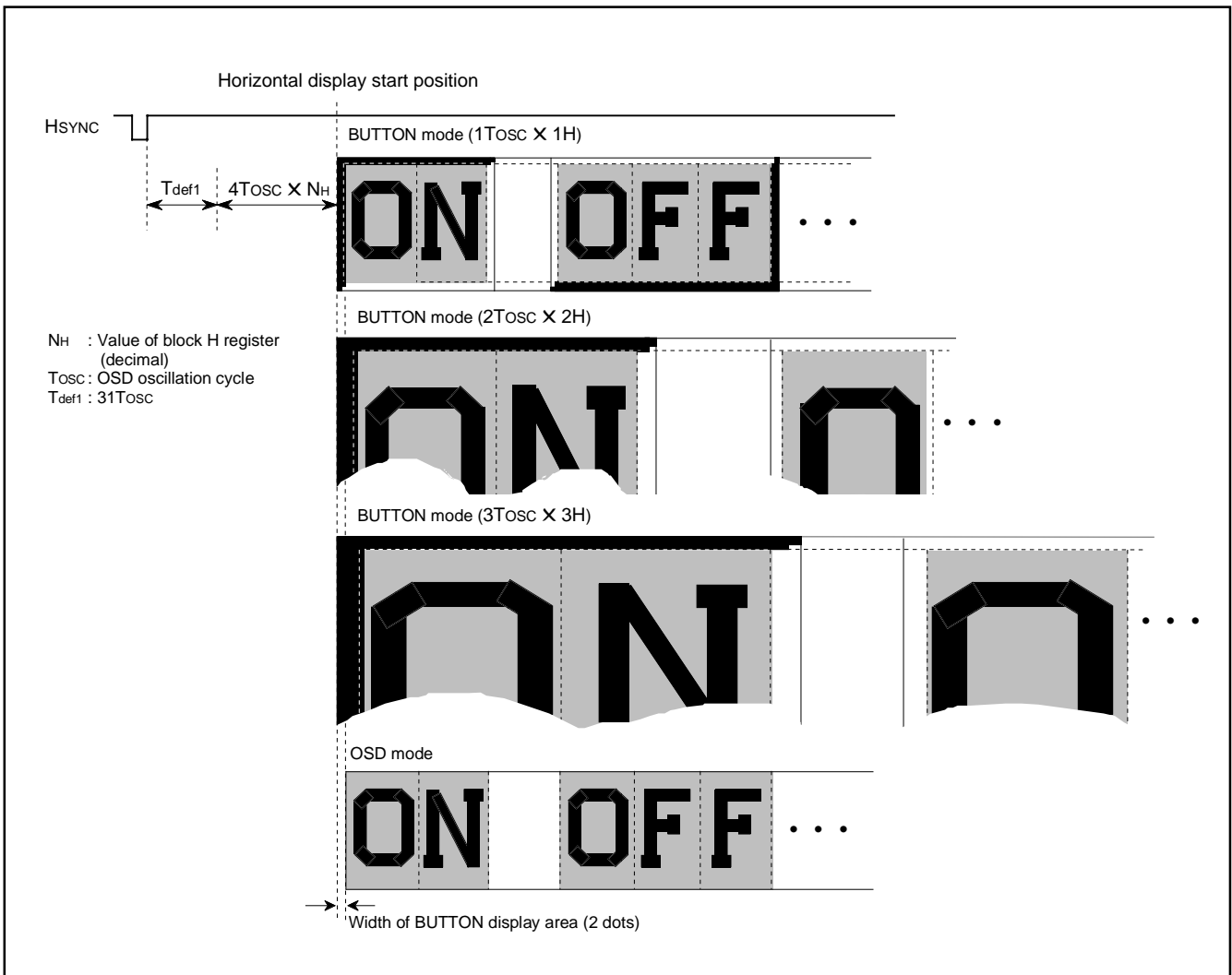


Fig. 8.10.14 Notes on Horizontal Display Start Position

M37225M6-XXXSP, M37225M8-XXXSP M37225ECSP

SINGLE-CHIP 8-BIT CMOS MICROCOMPUTER for VOLTAGE SYNTHESIZER
with ON-SCREEN DISPLAY CONTROLLER

(2) Dot size

The dot size can be selected by a block unit. The dot size in vertical direction is determined by dividing HSYNC in the vertical dot size control circuit. The dot size in horizontal is determined by dividing the following clock in the horizontal dot size control circuit : the clock gained by dividing the OSD clock source (OSC1, main clock from pin XIN) in the pre-divide circuit.

The dot size is specified by bits 3 and 4 of the block i control register.

Refer to Figure 8.10.8 (the block i control register).

The block diagram of dot size control circuit is shown in Figure 8.10.15.

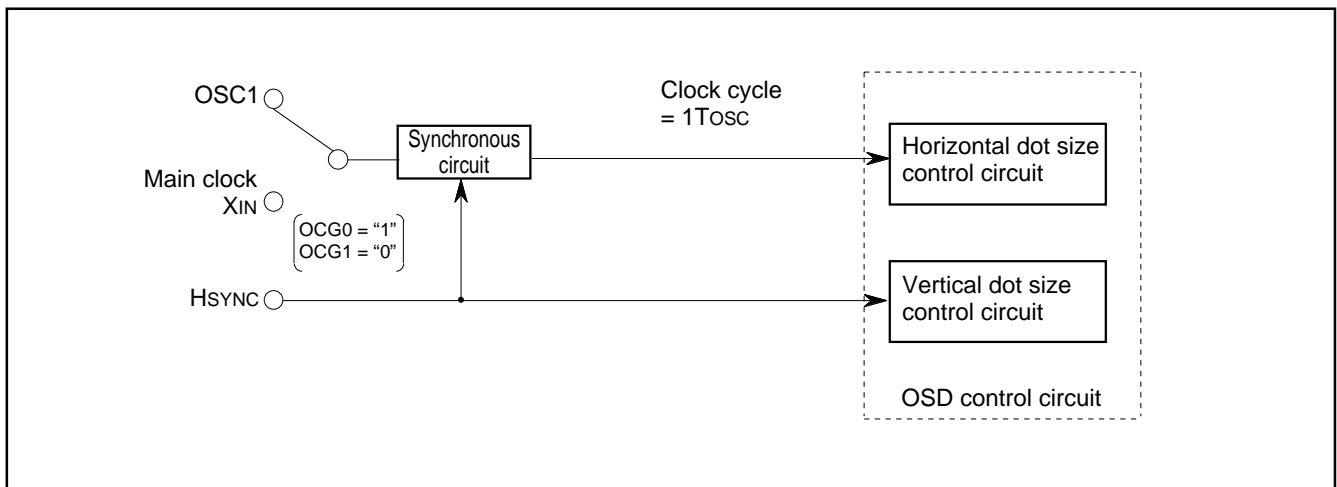


Fig. 8.10.15 Block Diagram of Dot Size Control Circuit

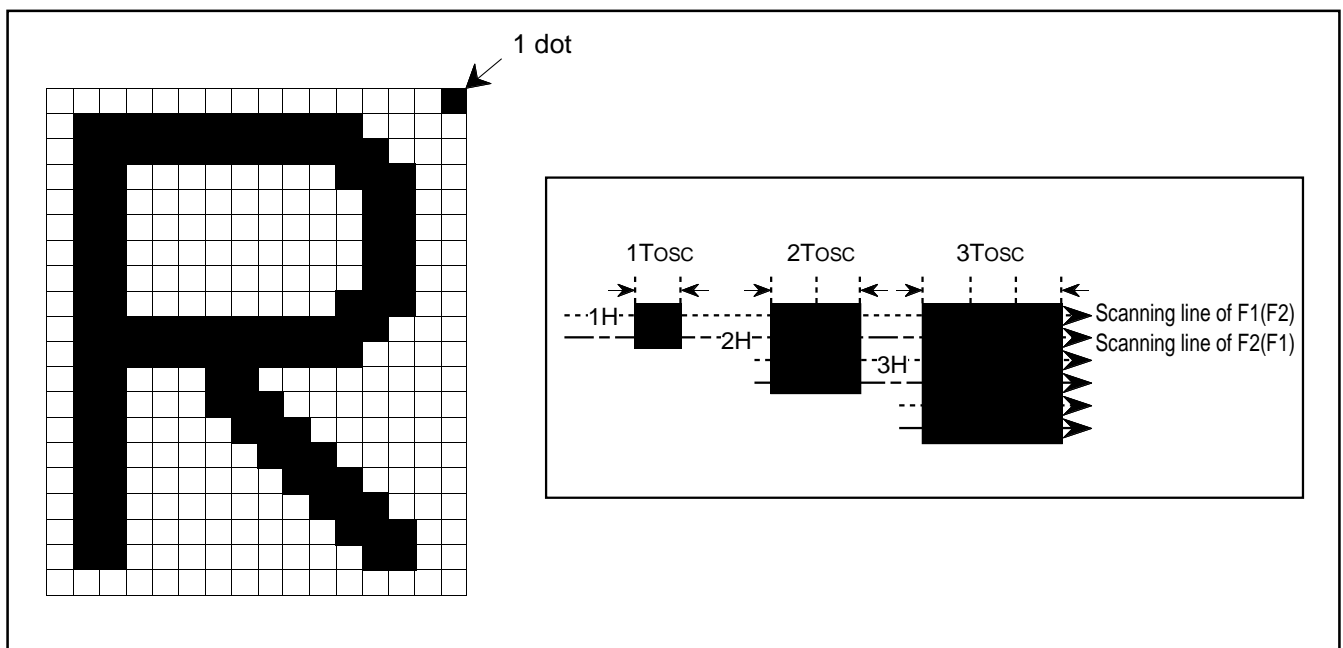


Fig. 8.10.16 Definition of Dot Sizes

M37225M6-XXXSP, M37225M8-XXXSP M37225ECSP

SINGLE-CHIP 8-BIT CMOS MICROCOMPUTER for VOLTAGE SYNTHESIZER
with ON-SCREEN DISPLAY CONTROLLER

(3) Memory for OSD

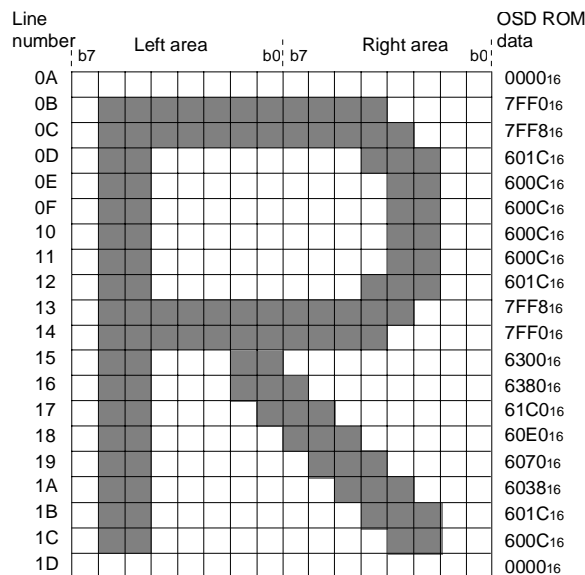
There are 2 types of memory for OSD : OSD ROM (addresses 11400₁₆ to 13BFF₁₆ and 15400₁₆ to 17AFF₁₆) used to specify character dot data and OSD RAM (addresses 0800₁₆ to 0877) used to specify the characters, colors, and attribute. The following describes each type of memory.

- ① **OSD ROM (addresses 11400₁₆ to 13BFF₁₆, 15400₁₆ to 17AFF₁₆)**
The dot pattern data for OSD characters is stored in the character font area in the OSD ROM. To specify the kinds of the character font, it is necessary to write the character code (based on OSD ROM address) into the OSD RAM. The modes are selected by bit 3 of the OSD control register 3 for each screen.
The character font data storing address is shown in Figure 8.10.17.

OSD ROM address of character font data

OSD ROM address bit	AD16	AD15	AD14	AD13	AD12	AD11	AD10	AD9	AD8	AD7	AD6	AD5	AD4	AD3	AD2	AD1	AD0
Line number / Character code / Font bit	1	0	Character code (high-order 1)	Line number					Character code (low-order 8 bits)								Font bit

Line number = "0A₁₆" to "1D₁₆"
 Character code = "000₁₆" to "17F₁₆" ("07F₁₆", "080₁₆" and "17F₁₆" cannot be used.)
 Font bit = 0: Left area
 1: Right area



Character font

Fig. 8.10.17 Character Font Data Storing Address

M37225M6-XXXSP, M37225M8-XXXSP M37225ECSP

SINGLE-CHIP 8-BIT CMOS MICROCOMPUTER for VOLTAGE SYNTHESIZER
with ON-SCREEN DISPLAY CONTROLLER

Note: The 120-byte addresses corresponding to the character code "07F₁₆," "080₁₆" and "17F₁₆" in OSD ROM are the test data storing area. Set "FF₁₆" to the area. (We stores the test data to this area and the different data from "FF₁₆" is stored for the actual products.)

<The test data storing area>

- 11000₁₆ + (4 + 2n) X 100₁₆ + FE₁₆ to 11000₁₆ + (5 + 2n) X 100₁₆ + 01₁₆
- 15000₁₆ + (4 + 2n) X 100₁₆ + FE₁₆ and 15000₁₆ + (4 + 2n) X 100₁₆ + 01₁₆
(n = 0 to 19)

Address area

addresses 114FE ₁₆ to 11501 ₁₆ addresses 116FE ₁₆ to 11701 ₁₆ ⋮ addresses 138FE ₁₆ to 13901 ₁₆ addresses 13AFE ₁₆ to 13B01 ₁₆ addresses 154FE ₁₆ and 154FF ₁₆ addresses 156FE ₁₆ and 156FF ₁₆ ⋮ addresses 178FE ₁₆ and 178FF ₁₆ addresses 17AFE ₁₆ and 17AFF ₁₆
--

② OSD RAM (addresses 0800₁₆ to 0877₁₆)

The OSD RAM for character is allocated at addresses 0800₁₆ to 0847₁₆, 0850₁₆ to 0857₁₆, 0860₁₆ to 0867₁₆, 0870₁₆ to 0877₁₆, and is divided into a display character code specification part 0870₁₆ to 0877₁₆, and color/attribute specification part for each block. Tables 8.10.3 shows the contents of the OSD RAM.

For example, to display 1 character position (the left edge) in block 1, write the character code in address 0800₁₆, write color/attribute code at 0810₁₆.

The structure of the OSD RAM is shown in Figure 8.10.18.

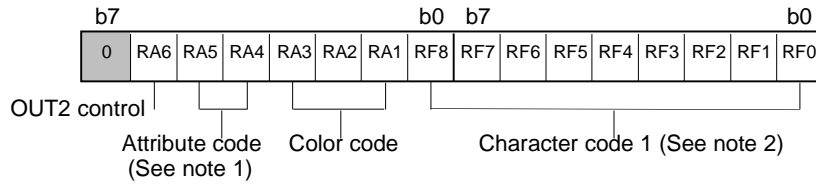
Table 8.10.3 Contents of OSD RAM

Block	Display Position (from left)	Character Code Specification	Color/Attribute Code Specification
Block 1	1st character	0800 ₁₆	0810 ₁₆
	2nd character	0801 ₁₆	0811 ₁₆
	3rd character	0802 ₁₆	0812 ₁₆
	⋮	⋮	⋮
	16th character	080F ₁₆	081F ₁₆
	17th character	0840 ₁₆	0850 ₁₆
Block 2	⋮	⋮	⋮
	24nd character	0847 ₁₆	0857 ₁₆
	1st character	0820 ₁₆	0830 ₁₆
	2nd character	0821 ₁₆	0831 ₁₆
	3rd character	0822 ₁₆	0832 ₁₆
	⋮	⋮	⋮
16th character	082F ₁₆	083F ₁₆	
17th character	0860 ₁₆	0870 ₁₆	
⋮	⋮	⋮	
24nd character	0867 ₁₆	0877 ₁₆	

M37225M6-XXXSP, M37225M8-XXXSP M37225ECSP

SINGLE-CHIP 8-BIT CMOS MICROCOMPUTER for VOLTAGE SYNTHESIZER
with ON-SCREEN DISPLAY CONTROLLER

Blocks 1 and 2



Mode Bit	BUTTON Mode		OSD Mode	
	Bit name	Function	Bit name	Function
RF0	Character code	Character code in OSD ROM	Character code	Character code in OSD ROM
RF1				
RF2				
RF3				
RF4				
RF5				
RF6				
RF7				
RF8				
RA1	Color code	RA3 RA2 RA1 0 0 0: Color register 1	Color code	RA3 RA2 RA1 0 0 0: Color register 1
		0 0 1: Color register 2		0 0 1: Color register 2
RA2		0 1 0: Color register 3		0 1 0: Color register 3
		0 1 1: Color register 4		0 1 1: Color register 4
		1 0 0: Color register 5		1 0 0: Color register 5
		1 0 1: Color register 6		1 0 1: Color register 6
RA3		1 1 0: Color register 7		1 1 0: Color register 7
		1 1 1: Color register 8		1 1 1: Color register 8
RA4	Attribute code	RA4 RA4 0 0: No BUTTON/block shadow display	Not used	—————
RA5		0 1: ON BUTTON display		
		1 0: OFF BUTTON display		
		0 1: Block shadow display		
RA6	OUT2 control	0: OUT2 blank output OFF 1: OUT2 blank output ON	OUT2 control	0: OUT2 blank output OFF 1: OUT2 blank output ON
RA7	Fix to "0"		Fix to "0"	

Notes 1: Attribute code is valid in only BUTTON mode.
2: Do not use character codes "07F₁₆," "080₁₆," "17F₁₆."
 And also, do not use character codes "180₁₆" to "1FF₁₆" (these codes are not included in OSD ROM area).

Fig. 8.10.18 Structure of OSD RAM

M37225M6-XXXSP, M37225M8-XXXSP M37225ECSP

SINGLE-CHIP 8-BIT CMOS MICROCOMPUTER for VOLTAGE SYNTHESIZER
with ON-SCREEN DISPLAY CONTROLLER

(4) Character color

Character colors are specified by RA1 to RA3 of OSD RAM.
Color data are set by color register i (CO1 to CO8: addresses 00E6₁₆ to 00E9₁₆, 00EC₁₆ to 00EF₁₆) in advance, and 8 kinds of color register i are specified by color codes.

(5) Character background color

Character background are specified by color register i as same as character color.

Note : The character background is displayed in the following part:
(character display area) – (character font) — (border) – (BUTTON display area)
Accordingly, the character background color and the color signal for these sections cannot be mixed.

(6) OUT1, OUT2 signals

OUT1 signal is used to erase a back ground TV image. The output waveform of OUT1 signal is controlled by combining the following bits; the display mode selection bits (bits 0 to 2 of the block i control register), the border type selection bit (bit 1 of the OSD control register), and the OUT1 output control bit (bit 6 of color register i).

Figure 8.10.20 and 8.10.21 shows the output example of R, G, B, and OUT1.

OUT2 signal is used to change the luminance of a background TV image. The output waveform of OUT2 signal is blank output and is controlled per character unit by RA6 of OSD RAM.

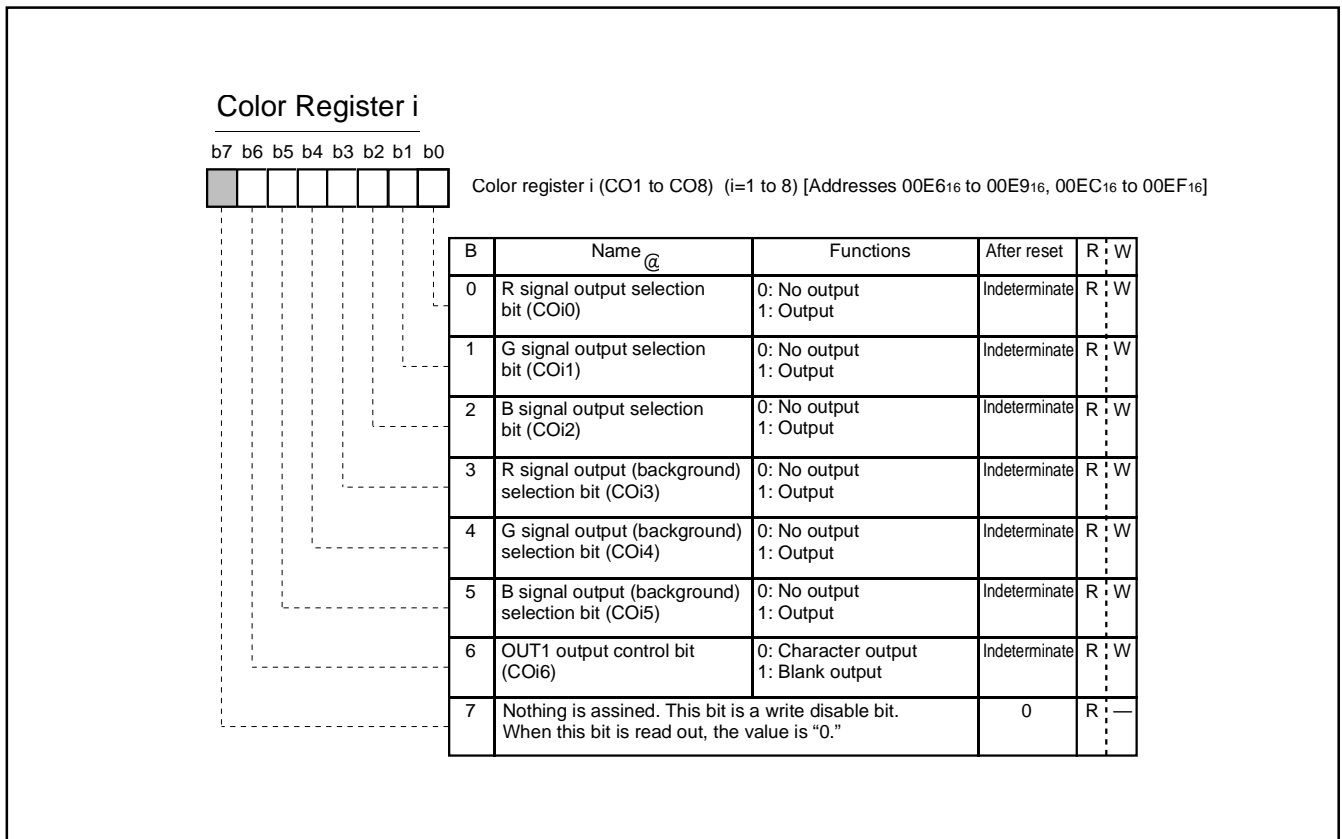


Fig. 8.10.19 Color register i (i = 1 to 8)

M37225M6-XXXSP, M37225M8-XXXSP
M37225ECSP

SINGLE-CHIP 8-BIT CMOS MICROCOMPUTER for VOLTAGE SYNTHESIZER
with ON-SCREEN DISPLAY CONTROLLER

Display mode	OSD color register i							G output	B output (background output)	OUT1 output	Display example
	b6	b5	b4	b3	b2	b1	b0				
OSD (Not bordered)	0	0	0	0	0	1	0	= FONT 	= "L" (See note 1) No output	= FONT 	
	1	1	0	0	0	1	0	= FONT 	= AREA - FONT 	= AREA 	
	0	0	0	0	0	1	0	= FONT 	= "L" (See note 1) No output	= FONT + BORDER 	
	1	1	0	0	0	1	0	= FONT 	= AREA - FONT - BORDER 	= AREA 	

= GREEN (= G)
 = BLUE (= B)
 = BLACK (= OUT1)
 = WHITE (= R + G + B)

Notes 1: when positive polarity is selected.
2: Examples of all bordered display are shown.

OSD mode character display area (AREA)

BUTTON mode character display area

Fig. 8.10.20 Output Example of R, G, B and OUT1 (Character Color: Green, Character Background Color: Blue) (In OSD Mode)

M37225M6-XXXSP, M37225M8-XXXSP M37225ECSP

SINGLE-CHIP 8-BIT CMOS MICROCOMPUTER for VOLTAGE SYNTHESIZER
with ON-SCREEN DISPLAY CONTROLLER

Display mode	OSD color register i							G output	B output (background output)	OUT1 output	Display example
	b6	b5	b4	b3	b2	b1	b0				
OSD (Not bordered)	0	0	0	0	0	1	0	= FONT + BUTTON	= BUTTON	= FONT + BUTTON	
	1	1	0	0	0	1	0	= FONT + BUTTON	= AREA + BUTTON - FONT	= AREA + BUTTON	
OSD (Bordered)	0	0	0	0	0	1	0	= FONT + BUTTON	= BUTTON	= FONT + BORDER + BUTTON	
	1	1	0	0	0	1	0	= FONT + BUTTON	= AREA + BUTTON - FONT - BORDER	= AREA + BUTTON	

= GREEN (= G)
 = BLUE (= B)
 = BLACK (= OUT1)
 = WHITE (= R + G + B)

Notes
1: when positive polarity is selected.
2: Examples of all bordered display are shown.
3: Examples of BUTTON display by RA4 and RA5 of OSD RAM are shown.

Fig. 8.10.21 Output Example of R, G, B and OUT1 (Character Color: Green, Character Background Color: Blue) (In BUTTON Mode)

M37225M6-XXXSP, M37225M8-XXXSP M37225ECSP

SINGLE-CHIP 8-BIT CMOS MICROCOMPUTER for VOLTAGE SYNTHESIZER
with ON-SCREEN DISPLAY CONTROLLER

(7) Attribute (block display)

The attributes (border, BUTTON display, block shadow display) are controlled to the character font. The display mode is specified per block unit by bits 0 to 2 of the block i control register. The attributes to be controlled are different depending on each mode.

OSD mode Border

BUTTON mode Border, BUTTON display, block shadow display

① Border

The border is output in the OSD and BUTTON modes. The all bordered (bordering around of character font) and the shadow bordered (bordering right and bottom sides of character font) are selected per screen unit by bit 1 of OSD control register (refer to Figure 8.10.4). The ON/OFF switch for borders can be controlled per block unit by bit 2 of the block i control register (refer to Figure 8.10.8).

The OUT1 signal is used for border output.

The horizontal size (x) of border is 1Tosc (Tosc: OSD oscillation cycle) regardless of the character font dot size. The vertical size (y) is 1H (2H in the bi-scan mode) regardless of character font.

- Notes 1:** The border dot area is the shaded area as shown in Figure 8.10.23.
- 2:** When the border dot overlaps on the next character font, the character font has priority (refer to Figure 8.10.22 A). When the border dot overlaps on the next character back ground, the border has priority (refer to Figure 8.10.22 B).
- 3:** The border in vertical out of character area is not displayed in OSD mode (refer to Figure 8.10.22).

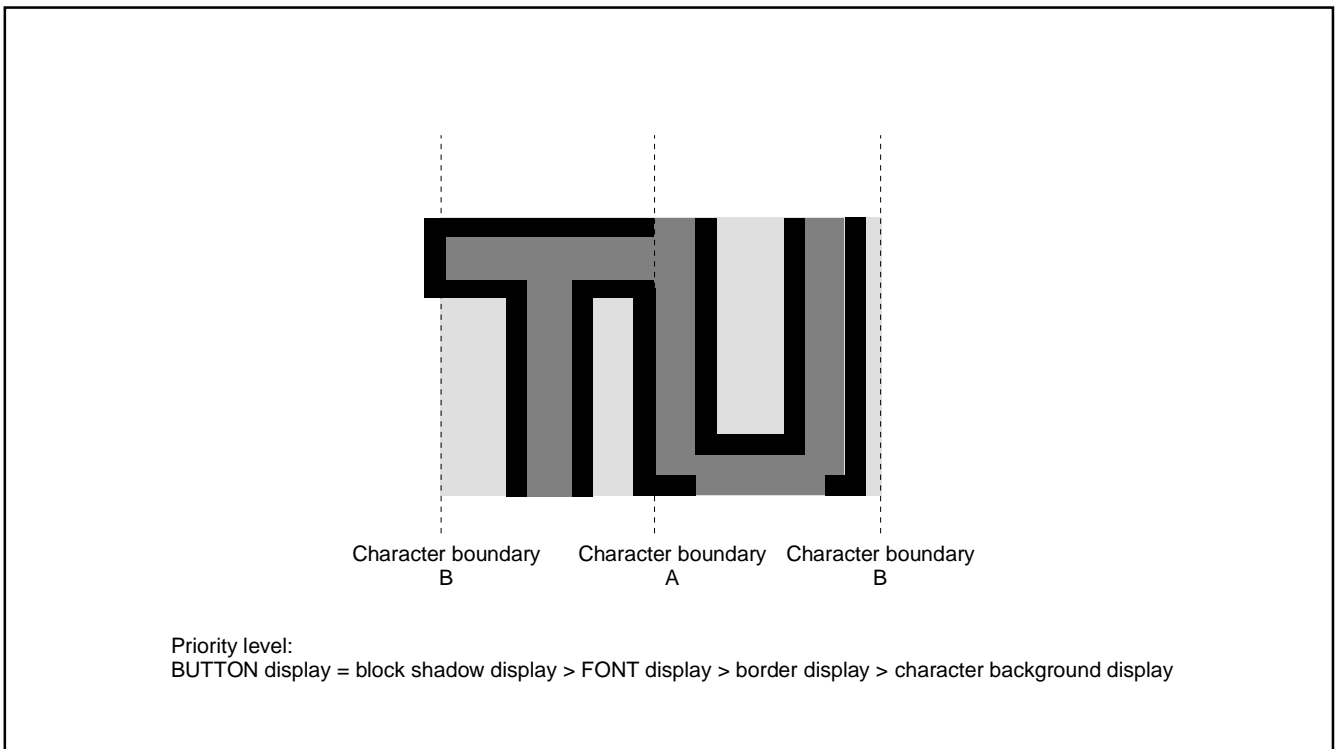


Fig. 8.10.22 Border Priority

**M37225M6-XXXSP, M37225M8-XXXSP
M37225ECSP**

SINGLE-CHIP 8-BIT CMOS MICROCOMPUTER for VOLTAGE SYNTHESIZER
with ON-SCREEN DISPLAY CONTROLLER

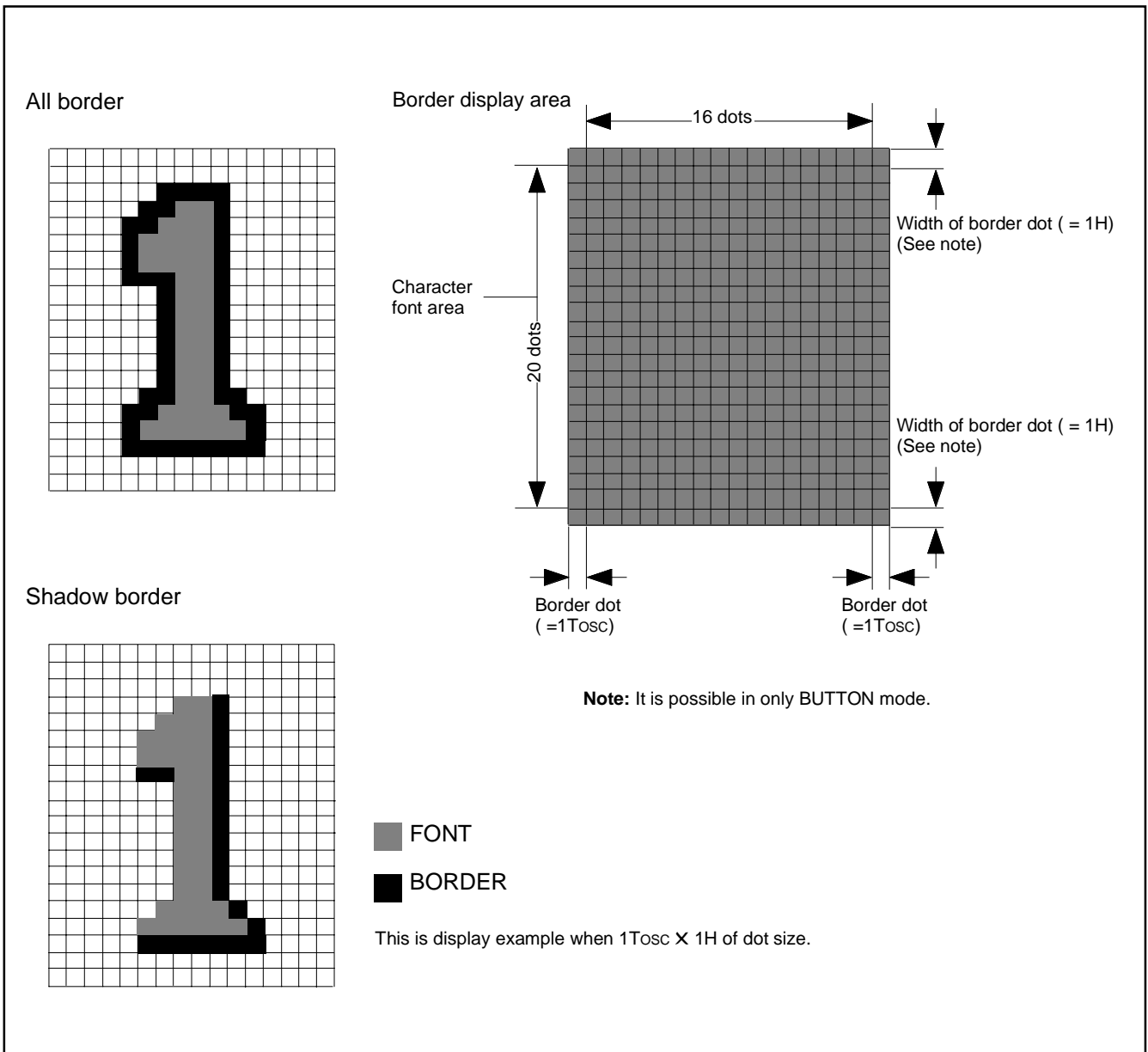


Fig. 8.10.23 Border Display Example and Border Area

M37225M6-XXXSP, M37225M8-XXXSP M37225ECSP

SINGLE-CHIP 8-BIT CMOS MICROCOMPUTER for VOLTAGE SYNTHESIZER
with ON-SCREEN DISPLAY CONTROLLER

② BUTTON display

There are 2 kinds of displays; ON BUTTON display and OFF BUTTON display. The BUTTON display is controlled per character unit by RA4 and RA5 of OSD RAM.

The BUTTON display area is around the character display area in the BUTTON mode. The ON/OFF BUTTON is displayed by outputting white (R + G + B) or black (OUT) to this area.

The horizontal size (x) of BUTTON display area is for 2 dots regardless of the character font dot size. The vertical size (y) is for 2 dots regardless of the vertical dot size of character font.

③ Block shadow display

The block shadow is displayed to the character display area in the BUTTON mode. The block shadow display is controlled per character unit by RA4 and RA5 of OSD RAM.

Figure 8.10.24 shows each display example. The BUTTON/block shadow can be displayed to the character area where combined arbitrary (within 24 characters for a block). Set each character in this case, too. Set "0" to all attribute codes between ON BUTTON, OFF BUTTON and block shadow displays.

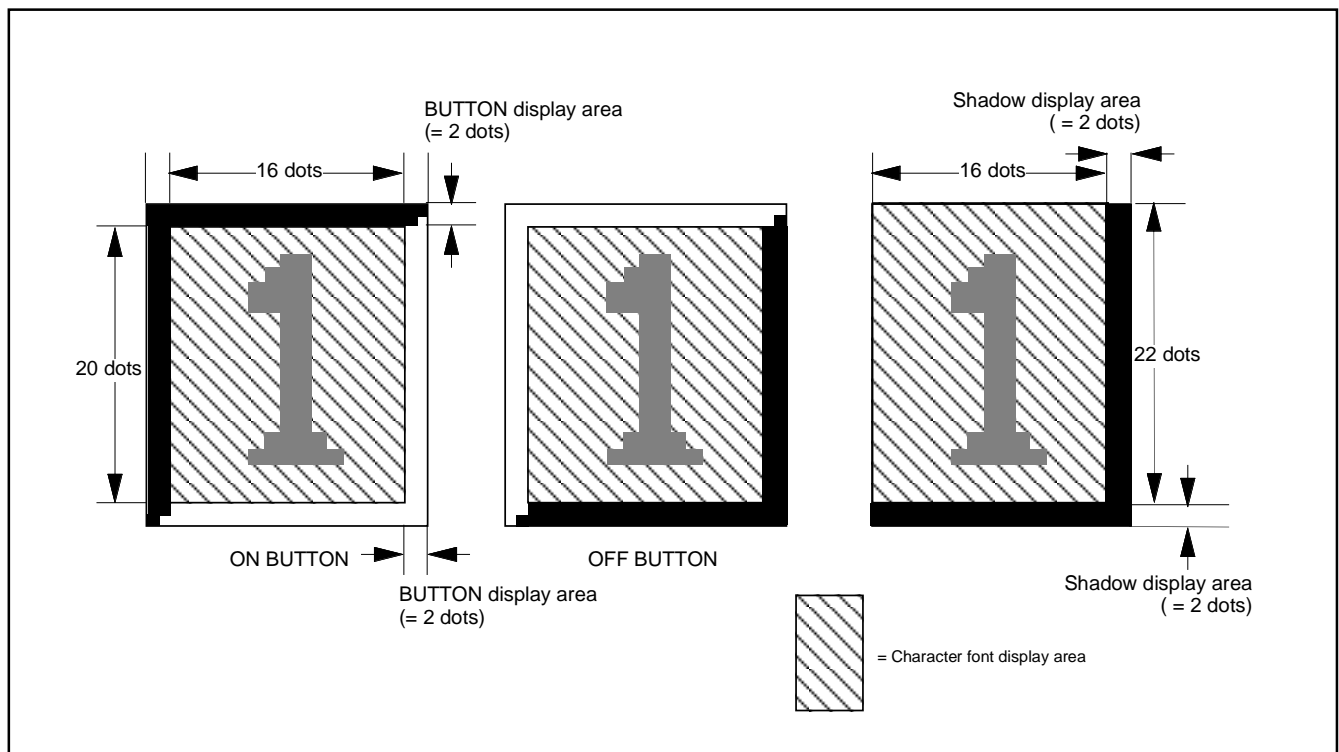


Fig. 8.10.24 ON/OFF BUTTON Display and Block Shadow Display

**M37225M6-XXXSP, M37225M8-XXXSP
M37225ECSP**

SINGLE-CHIP 8-BIT CMOS MICROCOMPUTER for VOLTAGE SYNTHESIZER
with ON-SCREEN DISPLAY CONTROLLER

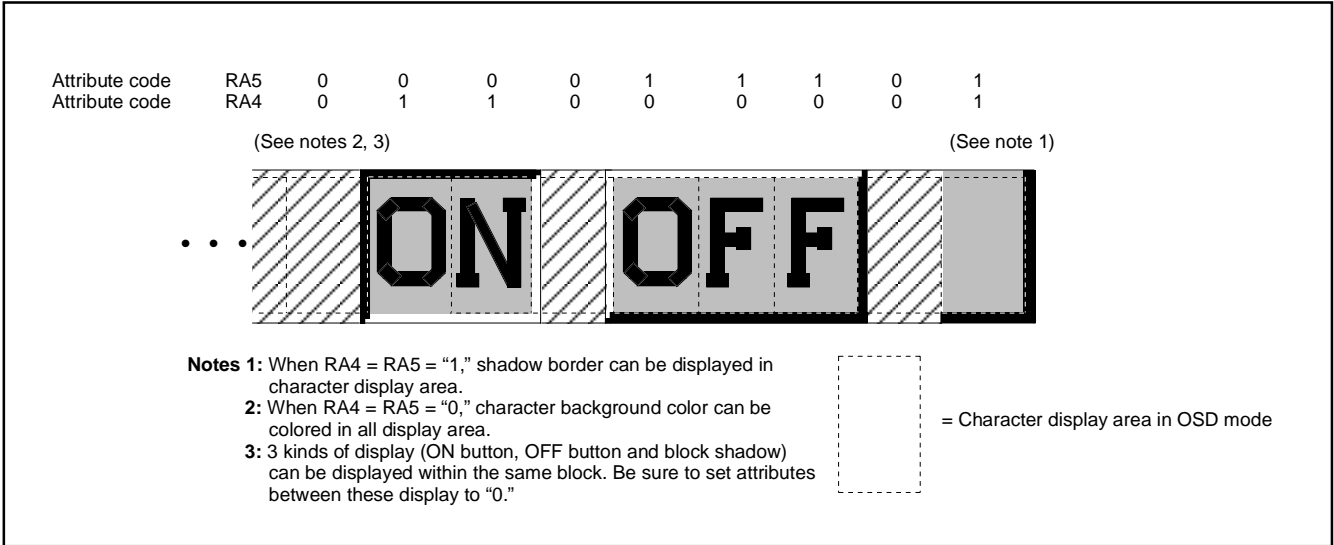


Fig. 8.10.25 Attribute Codes and Display Examples

M37225M6-XXXSP, M37225M8-XXXSP M37225ECSP

SINGLE-CHIP 8-BIT CMOS MICROCOMPUTER for VOLTAGE SYNTHESIZER
with ON-SCREEN DISPLAY CONTROLLER

(8) Multiline display

This microcomputer can ordinarily display 2 lines on the CRT screen by displaying 2 blocks at different vertical positions. In addition, it can display 3 lines or more by using OSD interrupts.

An OSD interrupt request occurs at the point at which display of each block has been completed. In other words, when a scanning line reaches the point of the display position (specified by the block *i* V registers) of a certain block, the character display of that block starts, and an interrupt occurs at the point at which the scanning line exceeds the block.

- Notes 1:** An OSD interrupt does not occur at the end of display when the block is not displayed. In other words, if a block is set to off display by the display control bit of the block control register *i* (addresses 00F916 and 00FA16), an OSD interrupt request does not occur (refer to Figure 8.10.26 (A)).
- 2:** When another block display appears while one block is displayed, an OSD interrupt request occurs only once at the end of the another block display (refer to Figure 8.10.26 (B)).
- 3:** On the screen setting window, an OSD interrupt occurs even at the end of the block (off display) out of window (refer to Figure 12.11.36 (C)).

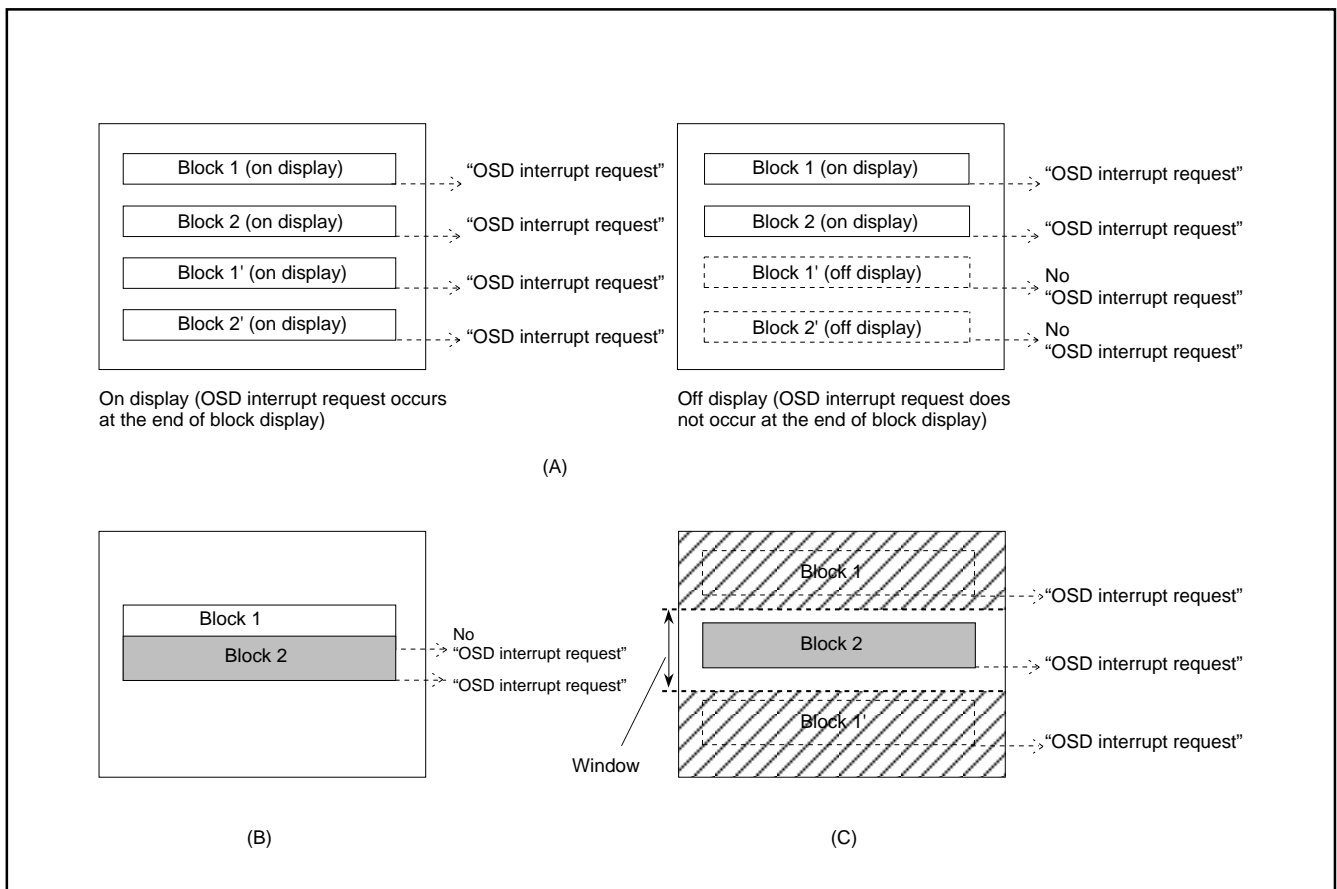


Fig. 8.10.26 Note on Occurrence of OSD Interrupt

M37225M6-XXXSP, M37225M8-XXXSP M37225ECSP

SINGLE-CHIP 8-BIT CMOS MICROCOMPUTER for VOLTAGE SYNTHESIZER
with ON-SCREEN DISPLAY CONTROLLER

(9) Window function

The window function can be set windows on-screen, and output OSD within only the area where the window is set.

The ON/OFF for vertical window function is performed by bit 4 of the OSD control register. The top boundary is set by the top border control register (TBR) and the bottom boundary is set by bottom border control register (BBR). The left boundary is set by the left border control register (LBR), and the right boundary is set by the right border control register (RBR).

The left and right boundarys can be adjusted minutely by bits 2 and 3 of the OSD control register (address 00EA16).

Note: The SPRITE display is not effected by the window function.

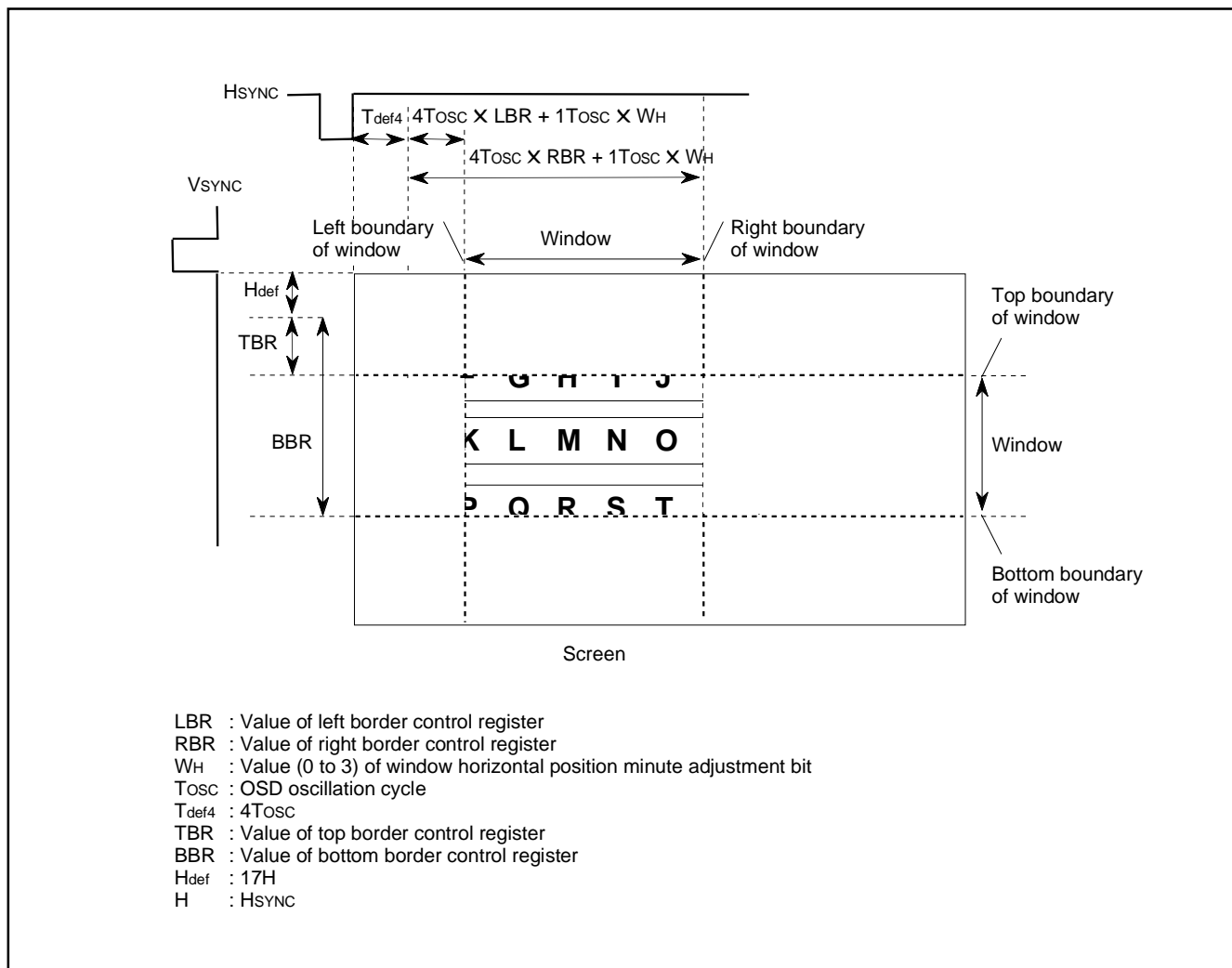


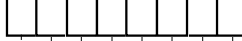
Fig. 8.10.27 Example of window function

**M37225M6-XXXSP, M37225M8-XXXSP
M37225ECSP**

SINGLE-CHIP 8-BIT CMOS MICROCOMPUTER for VOLTAGE SYNTHESIZER
with ON-SCREEN DISPLAY CONTROLLER

Top Border Control Register

b7 b6 b5 b4 b3 b2 b1 b0



Top border control register (TBR) [Address 024516]

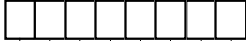
B	Name	Functions	After reset	R : W
0 to 7	Control bits of top border (TBR0 to TBR7)	Top border position = $H_{def} + H \times n$ (n: setting value, H_{def} : 17H, H: HSYNC)	Indeterminate	R : W

Notes 1: Set values except "0016" to TBR.
2: Set values fit for $TBR \leq BBR$.

Fig. 8.10.28 Top Border Control Register

Bottom Border Control Register

b7 b6 b5 b4 b3 b2 b1 b0



Bottom border control register (BBR) [Address 024616]

B	Name	Functions	After reset	R : W
0 to 7	Control bits of bottom border (BBR0 to BBR7)	Bottom border position = $H_{def} + H \times n$ (n: setting value, H_{def} : 17H, H: HSYNC)	Indeterminate	R : W

Notes 1: Set values except "0016" to BBR.
2: Set values fit for $TBR \leq BBR$.

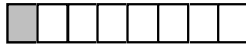
Fig. 8.10.29 Bottom Border Control Register

M37225M6-XXXSP, M37225M8-XXXSP M37225ECSP

SINGLE-CHIP 8-BIT CMOS MICROCOMPUTER for VOLTAGE SYNTHESIZER
with ON-SCREEN DISPLAY CONTROLLER

Left Border Control Register

b7 b6 b5 b4 b3 b2 b1 b0



Left border control register (LBR) [Address 0240₁₆]

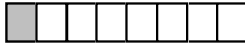
B	Name	Functions	After reset	R	W
0 to 6	Control bits of left border (LBR0 to LBR6)	Left border position = $T_{def4} + 4T_{osc} \times n + 1T_{osc} \times WH$ (n: setting value, T_{def4} : 4T _{osc} , Tosc: OSD oscillation cycle, WH: value (0 to 3) of window horizontal position minute adjustment bit)	0	R	W
7	Nothing is assigned. This bit is write disable bit. When this bit is read out, the value is indeterminate.		0	R	—

Note: Set values fit for $LBR \leq RBR$.

Fig. 8.10.30 Left BorderControl Register

Right Border Control Register

b7 b6 b5 b4 b3 b2 b1 b0



Right border control register (RBR) [Address 0241₁₆]

B	Name	Functions	After reset	R	W
0 to 6	Control bits of left border (RBR0 to RBR6)	Right border position = $T_{def4} + 4T_{osc} \times n + 1T_{osc} \times XWH$ (n: setting value, T_{def4} : 4T _{osc} , Tosc: OSD oscillation cycle, WH: value (0 to 3) of window horizontal position minute adjustment bit)	0	R	W
7	Nothing is assigned. This bit is write disable bit. When this bit is read out, the value is indeterminate.		0	R	—

Note: Set values fit for $LBR \leq RBR$.

Fig. 8.10.31 Right Border Control Register

M37225M6-XXXSP, M37225M8-XXXSP M37225ECSP

SINGLE-CHIP 8-BIT CMOS MICROCOMPUTER for VOLTAGE SYNTHESIZER
with ON-SCREEN DISPLAY CONTROLLER

8.10.2 SPRITE Display

This is especially suitable for cursor and other displays as its function allows for display in any position, regardless of the validity of other OSDs or display positions. Each SPRITE font is ROM font consisting of 16 horizontal dots X 20 vertical dots, and there are 4 kinds. When SPRITE display overlaps with other OSDs, SPRITE display is always given priority.

To display SPRITE font, OSD ROM font data for 2 characters is used. These 2 fonts can be colored with any color and can be displayed by synthesizing as a character. The features and display example of SPRITE display are shown below.

- Notes 1:** The SPRITE display is not effected by the window function.
- 2:** The SPRITE display cannot output character background color or OUT2.

Table 8.10.4 Features of SPRITE Display

Parameter	Features
Number of display characters	1 characters X 1 line (display by synthesizing 2 kinds of characters)
Dot structure	16 X 20 dots (See note 3)
Kinds of characters	4 kinds (Character code = "F816" to "FF16") (See note 4)
Kinds of character sizes	1 kind
Dot size	1Tosc X 1H (See notes 5, 7, 8)
Character font coloring	Synthesis SPRITE fonts 1 and 2 (per SPRITE font unit)
OSD output	R, G, B
Other functions	Corresponding to bi-scan
Display position	Horizontal: 253 levels (See note 2), Vertical: 255 levels (See note 1)

- Notes 1:** It is possible to set in any position regardless of vertical display positions of the block display. The vertical display start positions of the SPRITE display is the same as that of the block display.
- 2:** It is possible to set in any position regardless of horizontal display position of block display.
- 3:** It is the same display area as OSD mode (refer to "Figure 8.10.3").
- 4:** As for character font data storing address refer to "8.10.1 Block Display (3) Memory for OSD." The characters of character codes "F816" to "FF16" can be also used for the block display.
- 5:** Refer to "8.10.1 Block Display (2) Dot size." The dot size in the bi-scan mode is 1Tosc X 2H.
- 6:** Refer to "8.10.1 Block Display (4) Character color." Only color registers 1 to 4 can be specified.
- 7:** H = HSYNC
- 8:** TOSC = OSD oscillation cycle

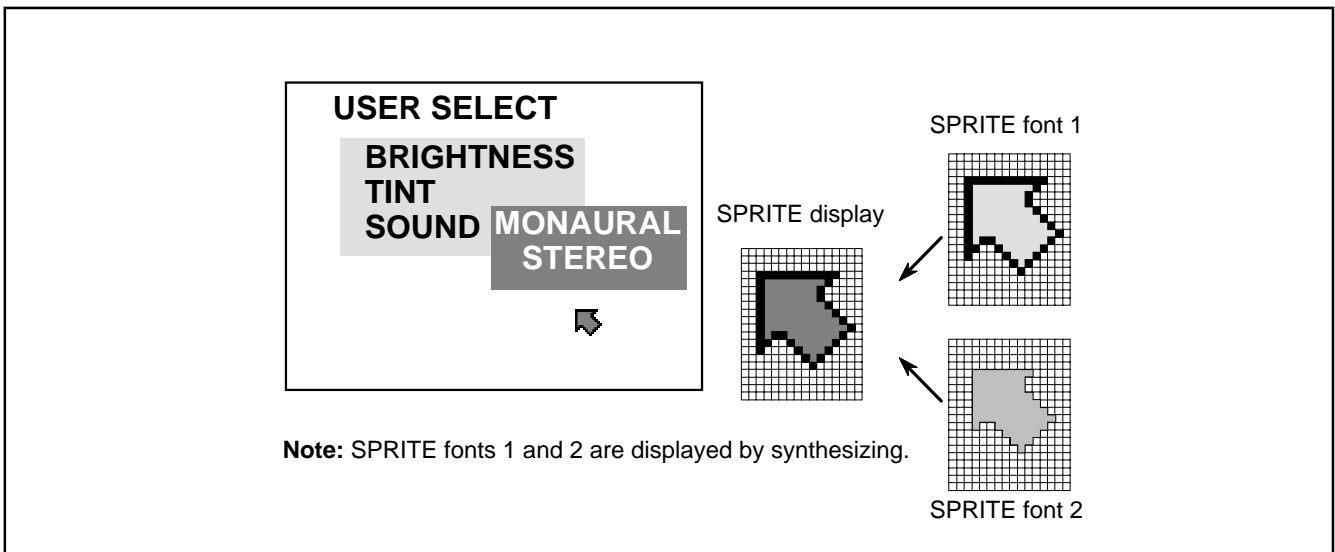


Fig. 8.10.32 SPRITE Display Example

M37225M6-XXXSP, M37225M8-XXXSP M37225ECSP

SINGLE-CHIP 8-BIT CMOS MICROCOMPUTER for VOLTAGE SYNTHESIZER
with ON-SCREEN DISPLAY CONTROLLER

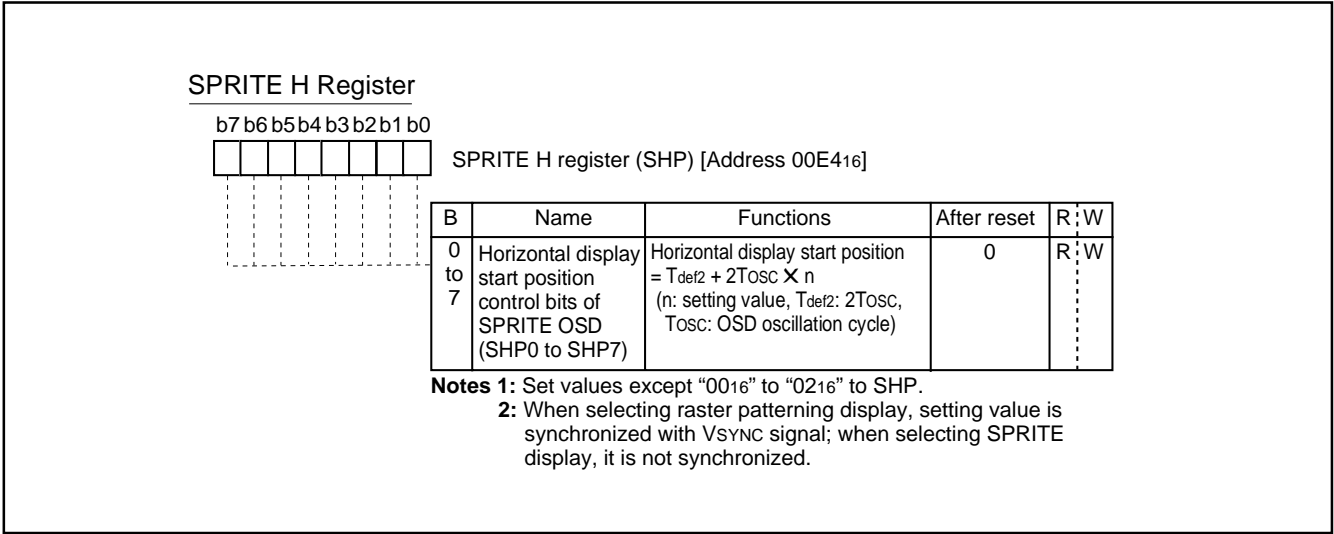


Fig. 8.10.33 SPRITE H Register

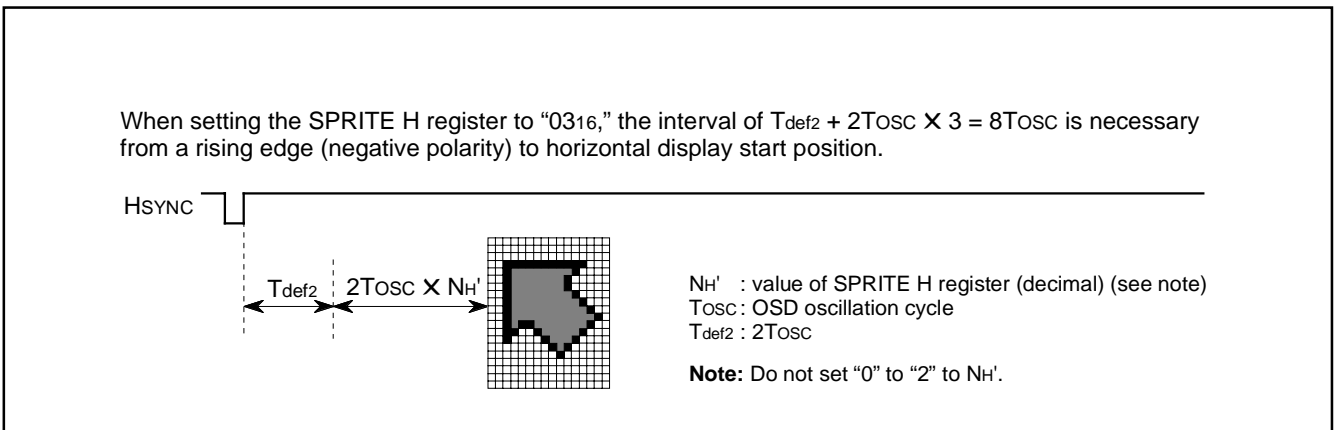


Fig. 8.10.34 Note on Horizontal Display Start Position of SPRITE Display

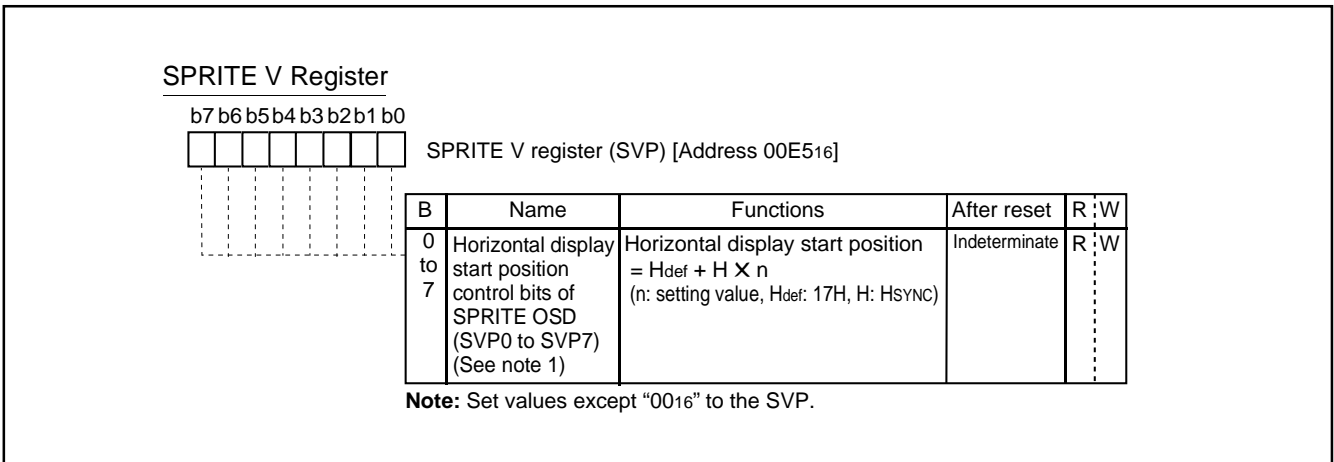


Fig. 8.10.35 SPRITE V Register

M37225M6-XXXSP, M37225M8-XXXSP M37225ECSP

SINGLE-CHIP 8-BIT CMOS MICROCOMPUTER for VOLTAGE SYNTHESIZER
with ON-SCREEN DISPLAY CONTROLLER

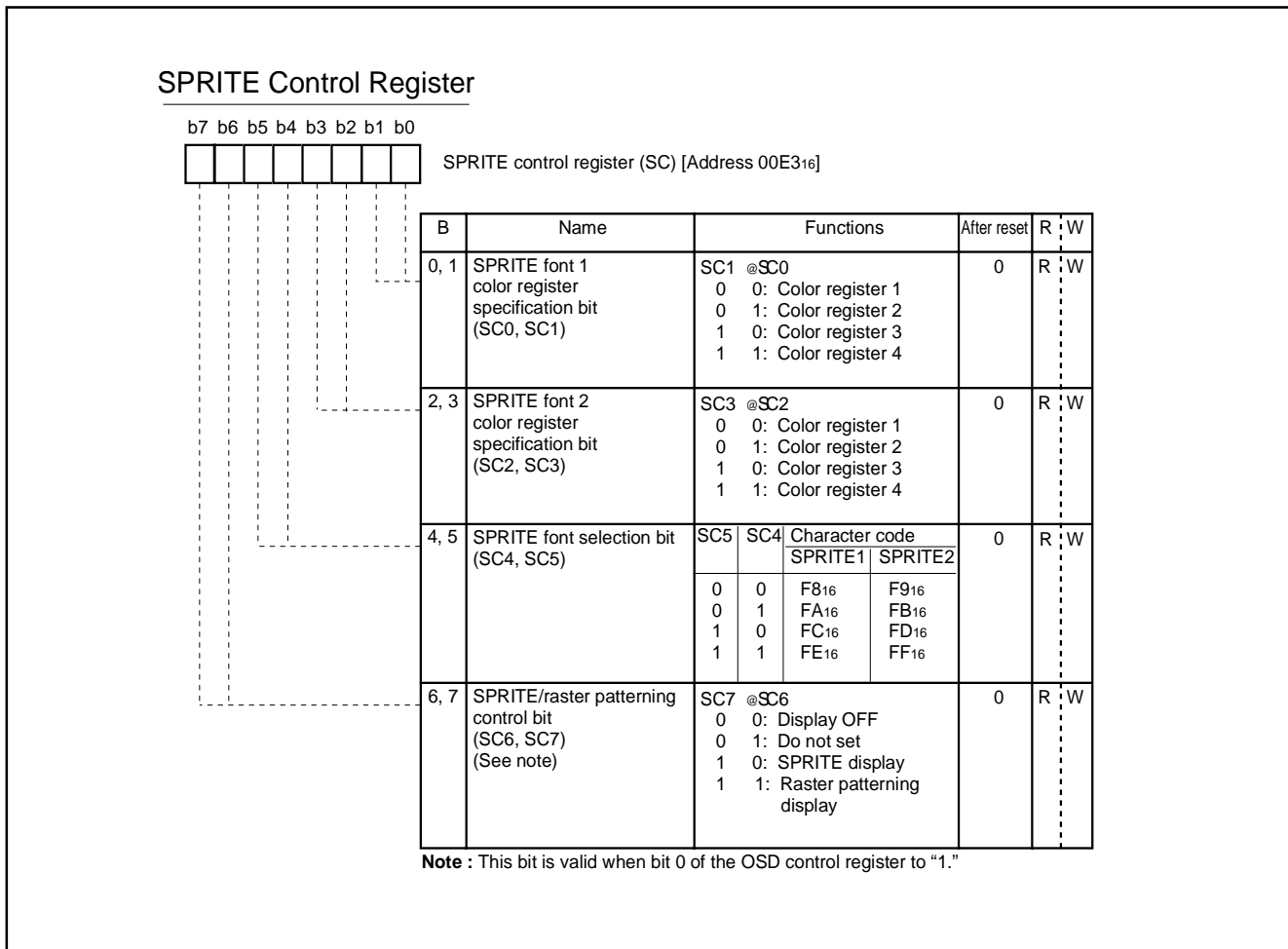


Fig. 8.10.35 SPRITE Control Register

M37225M6-XXXSP, M37225M8-XXXSP M37225ECSP

SINGLE-CHIP 8-BIT CMOS MICROCOMPUTER for VOLTAGE SYNTHESIZER
with ON-SCREEN DISPLAY CONTROLLER

8.10.3 Raster Display

The raster display is displayed on the lower layer than the SPRITE and block layers. There are 2 kinds of displays; the flat display and the patterning display.

In the raster flat display, an entire screen (raster) can be colored by setting the following bits; bits 5 to 7 of the OSD I/O polarity register and bits 6 and 7 of the OSD control register. Since each of the R, G, B, OUT1, and OUT2 pins can be switched to raster coloring output, 8 raster colors can be obtained.

In the raster patterning display, SPRITE fonts are displayed repeatedly on an entire screen (raster). At this time, set "1" to bits 6 and 7 of the SPRITE control register.

Horizontal display start positions of the raster patterning display are set by the SPRITE H register. At this time, setting value is synchronized with VSYNC signal.

Characters for patterning are set by bits 4 and 5 of the SPRITE control register and coloring are set by bits 0 to 3. The raster color is output on the background of SPRITE font.

Note that the raster patterning display and the SPRITE display cannot be used at the same time.

When the character color/the character background color overlaps with the raster color, the color (R, G, B, OUT1, OUT2), specified for the character color/the character background color, takes priority of the raster color. This ensures that the character color/the character background color is not mixed with the raster color.

The raster flat display example is shown in Figure 8.10.36, the raster patterning display example is shown in Figure 8.10.37.

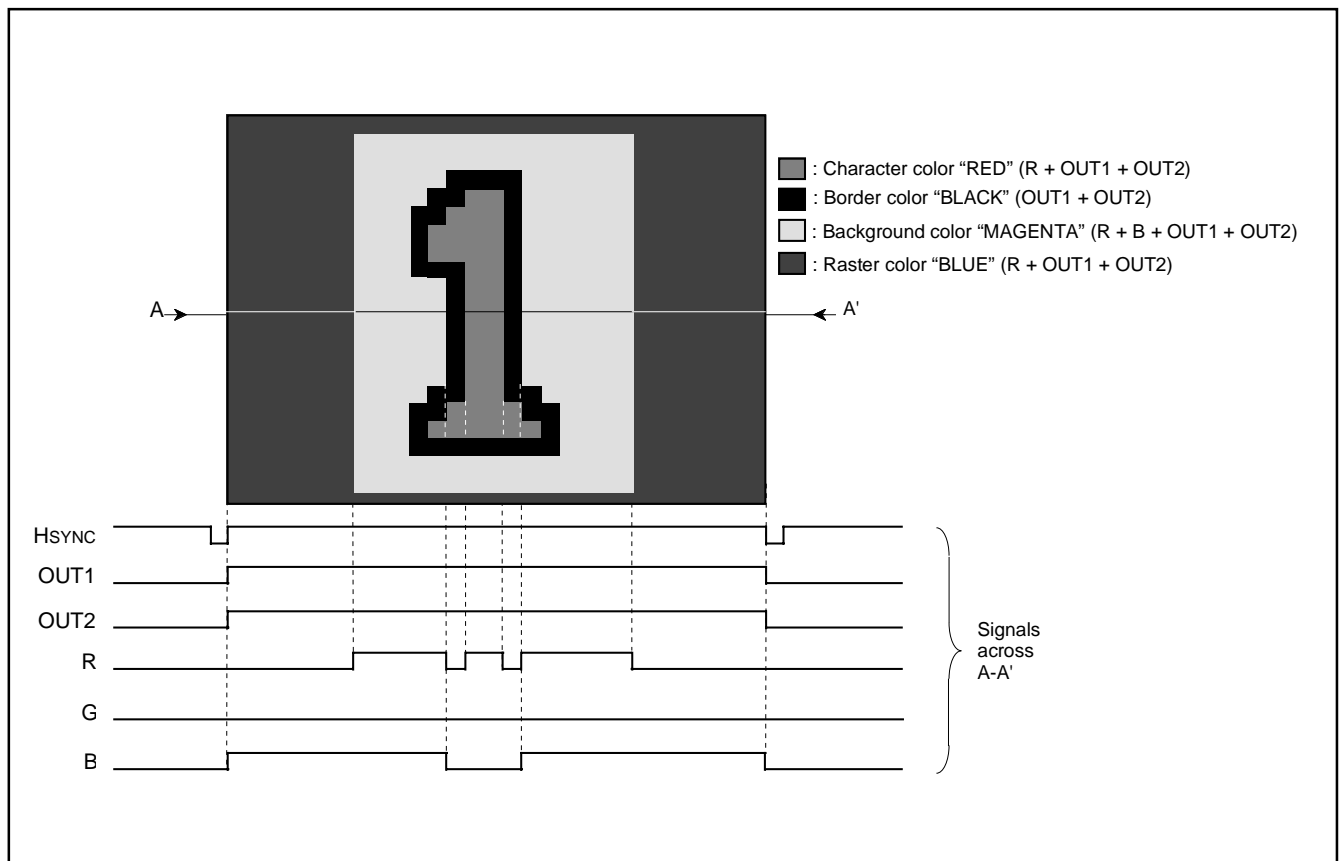
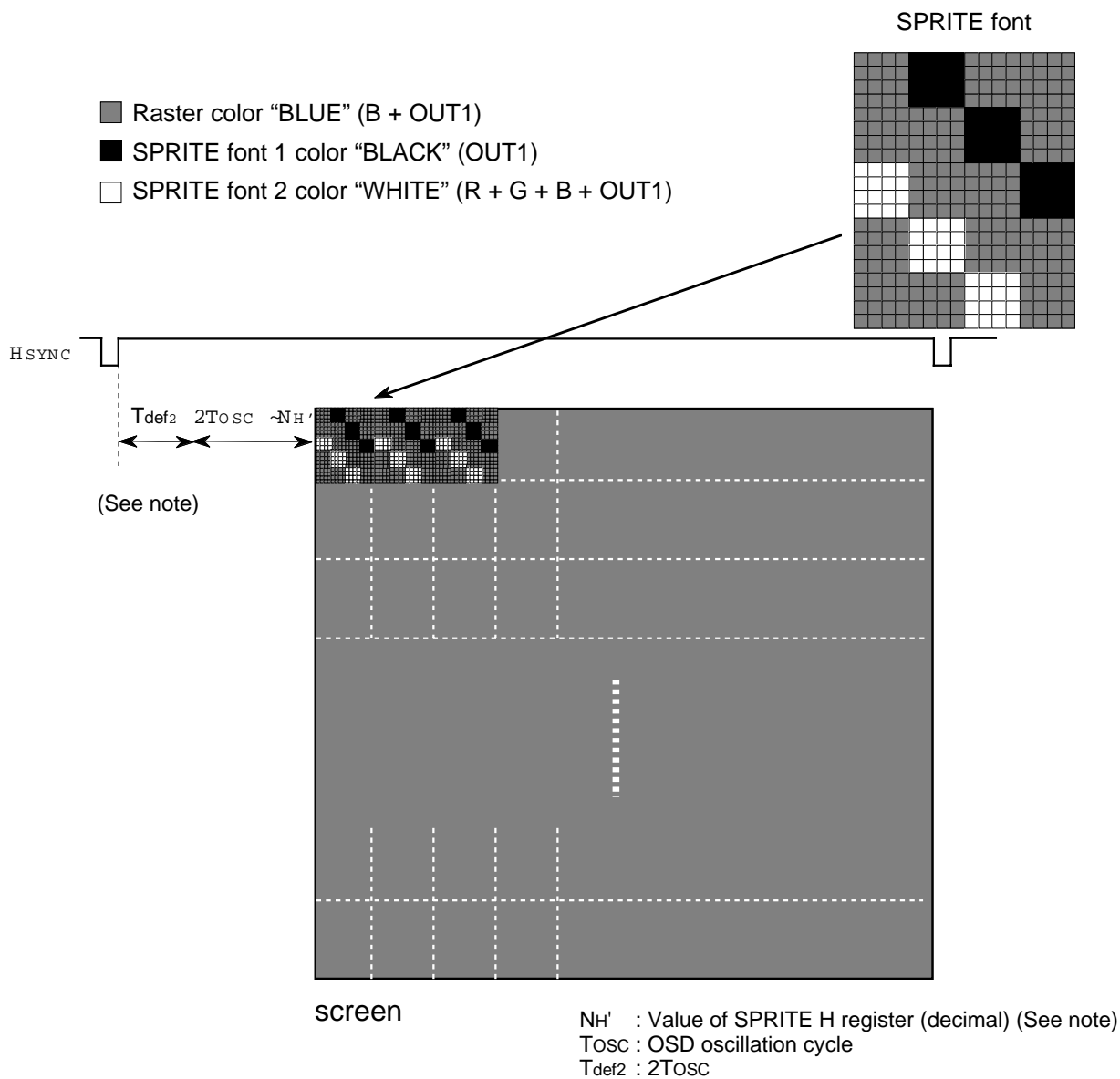


Fig. 8.10.36 Raster Flat Display Example

M37225M6-XXXSP, M37225M8-XXXSP M37225ECSP

SINGLE-CHIP 8-BIT CMOS MICROCOMPUTER for VOLTAGE SYNTHESIZER
with ON-SCREEN DISPLAY CONTROLLER

When setting "0316" to SPRITE H register, it is need $T_{def2} + 2T_{osc} \times 3 = 8T_{osc}$ intervals from a rising edge (negative polarity) of HSYNC signal to a horizontal display start position.



Note: Do not set "0" to "2" to NH' .

Fig. 8.10.37 Raster Patterning Display Example

M37225M6-XXXSP, M37225M8-XXXSP M37225ECSP

SINGLE-CHIP 8-BIT CMOS MICROCOMPUTER for VOLTAGE SYNTHESIZER
with ON-SCREEN DISPLAY CONTROLLER

8.11 SOFTWARE RUNAWAY DETECT FUNCTION

This microcomputer has a function to decode undefined instructions to detect a software runaway.

When an undefined op-code is input to the CPU as an instruction code during operation, the following processing is done.

- ① The CPU generates an undefined instruction decoding signal.
- ② The device is internally reset because of occurrence of the undefined instruction decoding signal.
- ③ As a result of internal reset, the same reset processing as in the case of ordinary reset operation is done, and the program restarts from the reset vector.

Note, however, that the software runaway detecting function cannot be invalid.

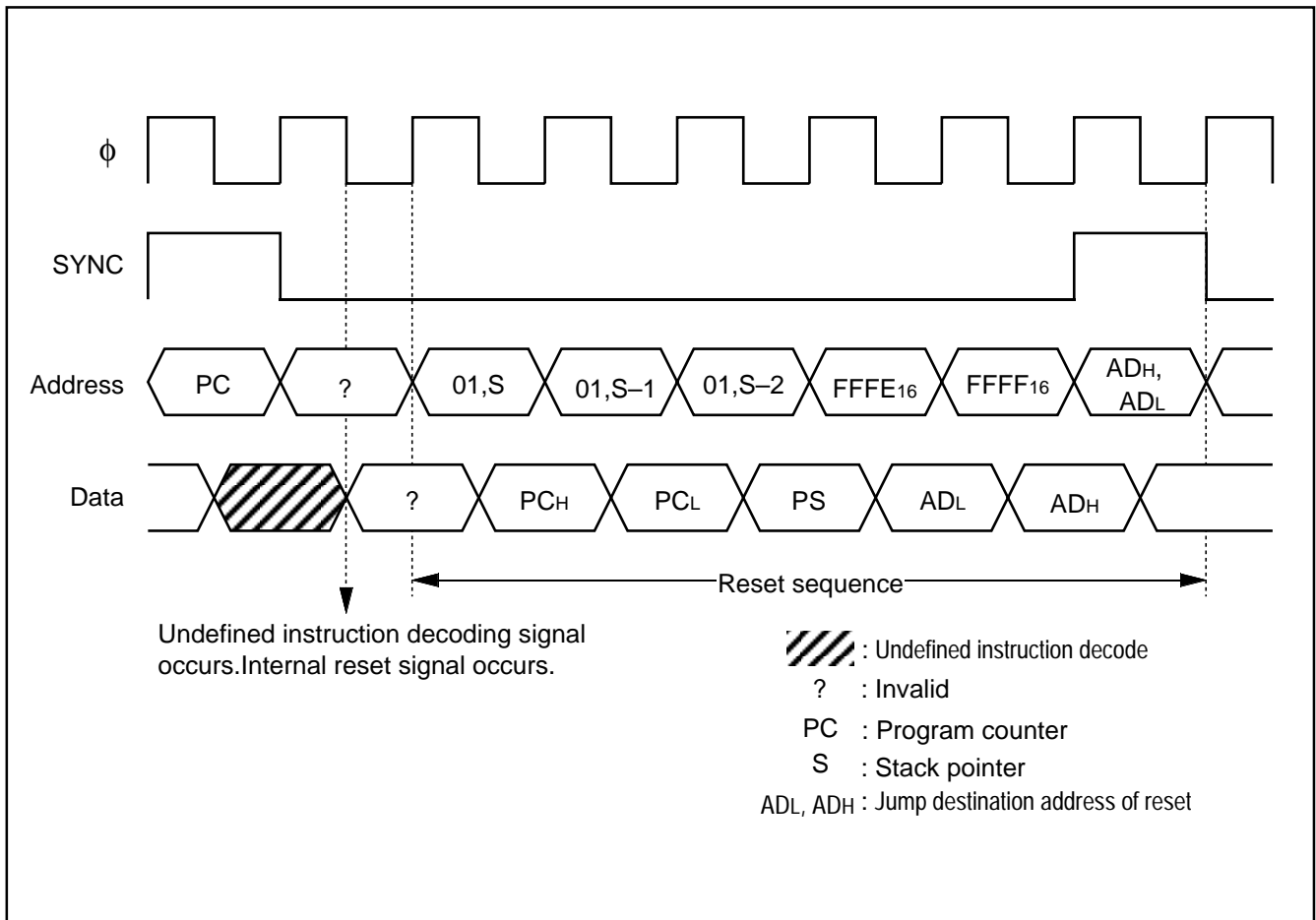


Fig.8.11.1 Sequence at Detecting Software Runaway Detection

M37225M6-XXXSP, M37225M8-XXXSP M37225ECSP

SINGLE-CHIP 8-BIT CMOS MICROCOMPUTER for VOLTAGE SYNTHESIZER
with ON-SCREEN DISPLAY CONTROLLER

8.12. RESET CIRCUIT

When the oscillation of a quartz-crystal oscillator or a ceramic resonator is stable and the power source voltage is $5\text{ V} \pm 10\%$, hold the $\overline{\text{RESET}}$ pin at LOW for $2\ \mu\text{s}$ or more, then return it to HIGH. Then, as shown in Figure 8.12.2, reset is released and the program starts from the address formed by using the content of address FFFF_{16} as the high-order address and the content of the address FFFE_{16} as the low-order address. The internal state of microcomputer at reset are shown in Figures 8.2.3 to 8.2.6.

An example of the reset circuit is shown in Figure 8.12.1. The reset input voltage must be kept 0.9 V or less until the power source voltage surpasses 4.5 V.

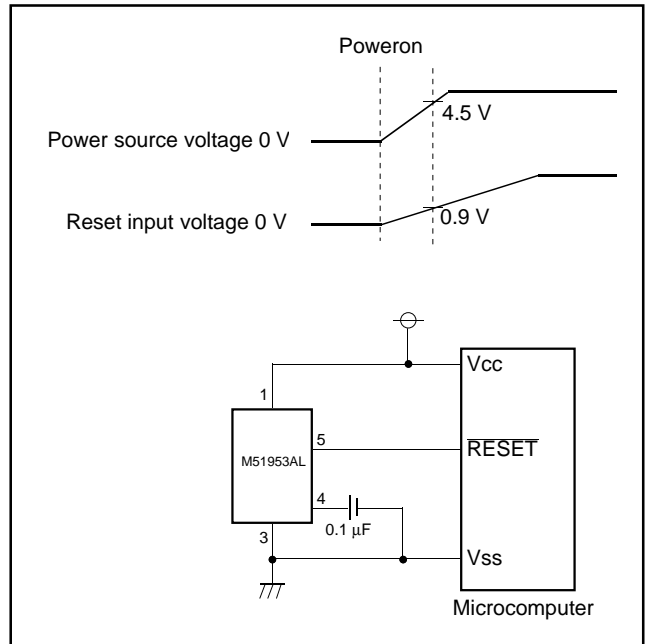


Fig.8.12.1 Example of Reset Circuit

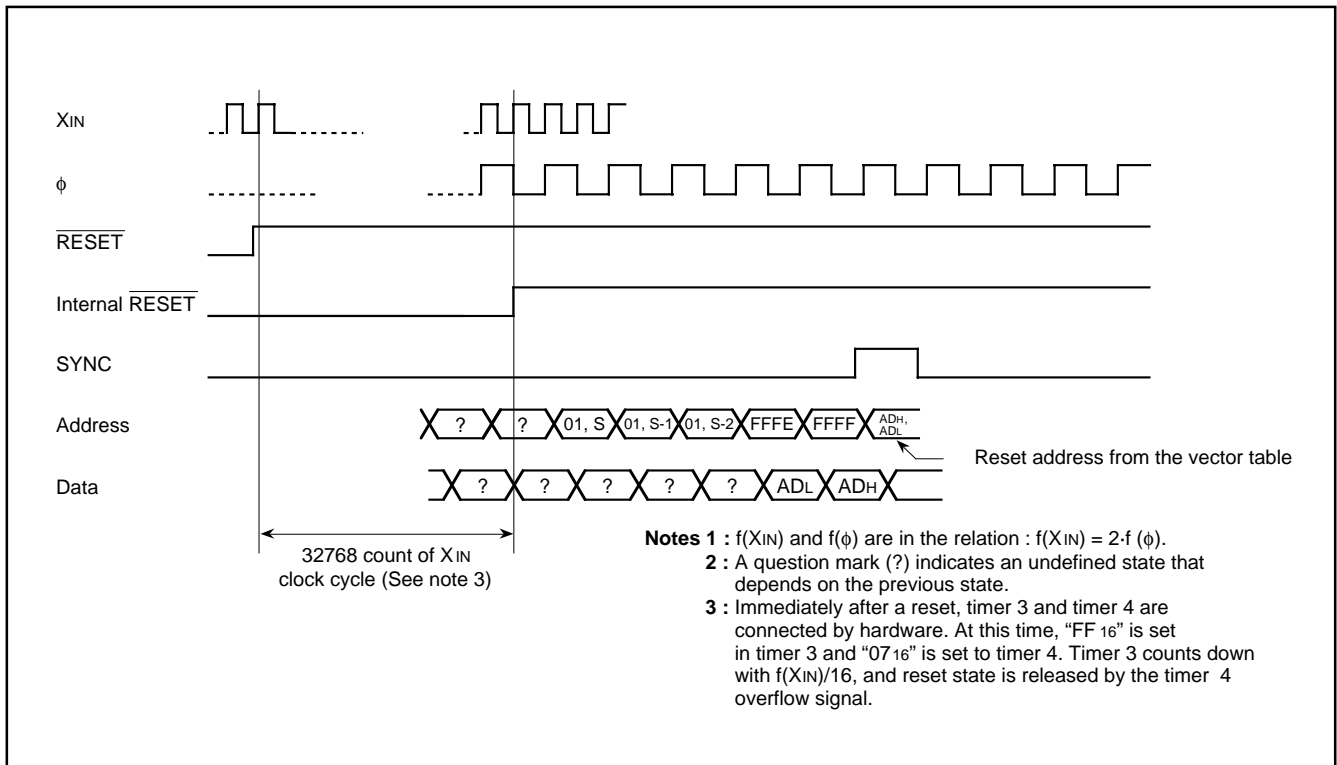


Fig.8.12.2 Reset Sequence

M37225M6-XXXSP, M37225M8-XXXSP M37225ECSP

SINGLE-CHIP 8-BIT CMOS MICROCOMPUTER for VOLTAGE SYNTHESIZER
with ON-SCREEN DISPLAY CONTROLLER

8.13 CLOCK GENERATING CIRCUIT

The built-in clock generating circuit is shown in Figure 8.13.3. When the STP instruction is executed, the internal clock ϕ stops at HIGH. At the same time, timers 3 and 4 are connected by hardware and "FF16" is set in timer 3 and "0716" is set in the timer 4. Select $f(XIN)/16$ as the timer 3 count source (set bit 0 of the timer mode register 2 to "0" before the execution of the STP instruction). Moreover, set the timer 3 and timer 4 interrupt enable bits to disabled ("0") before execution of the STP instruction). The oscillator restarts when external interrupt is accepted. However, the internal clock ϕ keeps its HIGH until timer 4 overflows, allowing time for oscillation stabilization when a ceramic resonator or a quartz-crystal oscillator is used.

When the WIT instruction is executed, the internal clock ϕ stops in the HIGH but the oscillator continues running. This wait state is released when an interrupt is accepted (See note). Since the oscillator does not stop, the next instruction can be executed at once.

When returning from the stop or the wait state, to accept an interrupt, set the corresponding interrupt enable bit to "1" before executing the STP or the WIT instructions.

Note: In the wait mode, the following interrupts are invalid.

- VSYNC interrupt
- OSD interrupt
- Timer 2 interrupt using external clock input from TIM2 pin as count source
- Timer 3 interrupt using external clock input from TIM3 pin as count source
- Timer 4 interrupt using $f(XIN)/2$ as count source
- Timer 1 interrupt using $f(XIN)/4096$ as count source
- $f(XIN)/4096$ interrupt
- Multi-master I²C-BUS interface interrupt
- A-D conversion interrupt
- SPRITE interrupt

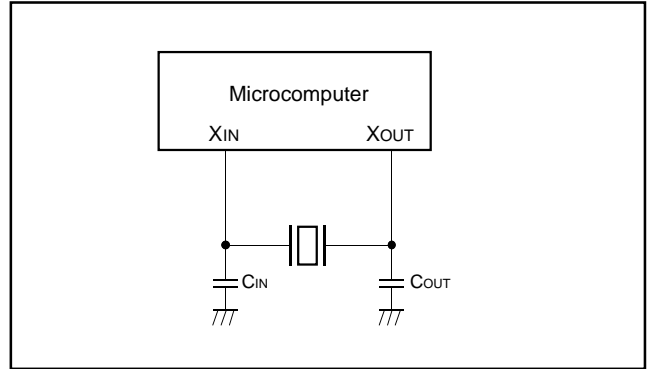


Fig.8.13.1 Ceramic Resonator Circuit Example

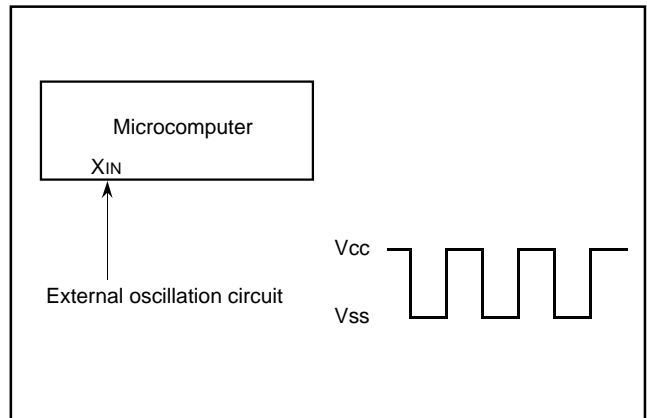


Fig.8.13.2 External Clock Input Circuit Example

A circuit example using a ceramic resonator (or a quartz-crystal oscillator) is shown in Figure 8.13.1. Use the circuit constants in accordance with the resonator manufacturer's recommended values. A circuit example with external clock input is shown in Figure 8.13.2. Input the clock to the XIN pin, and open the XOUT pin.

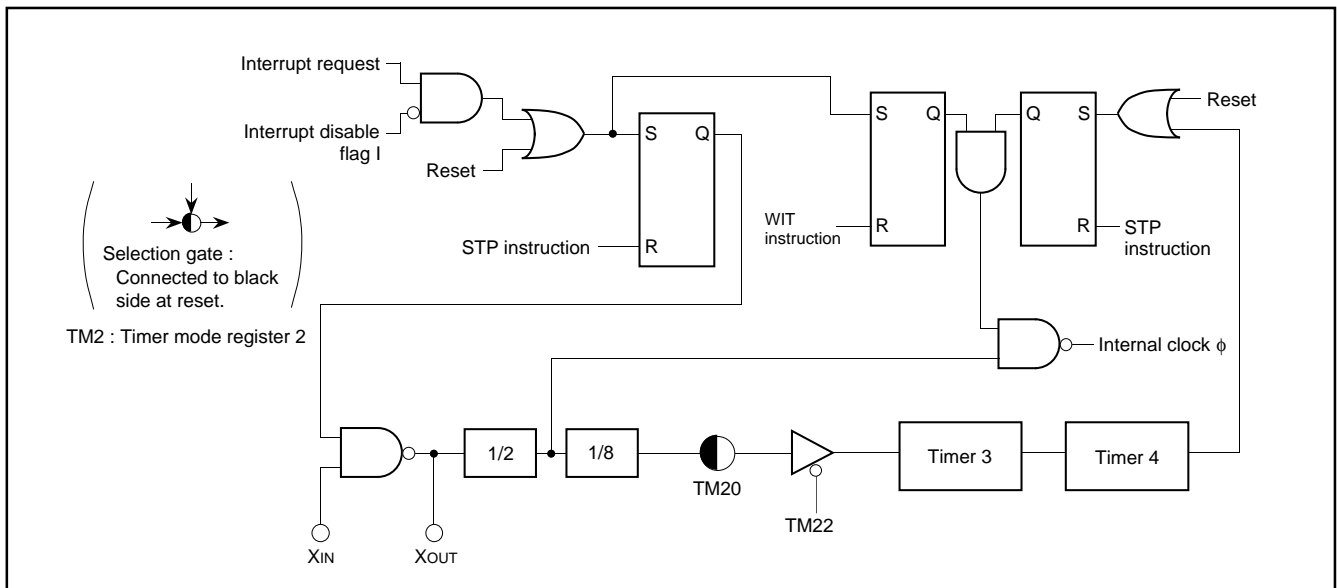


Fig.8.13.3 Clock Generating Circuit Block Diagram

M37225M6-XXXSP, M37225M8-XXXSP M37225ECSP

SINGLE-CHIP 8-BIT CMOS MICROCOMPUTER for VOLTAGE SYNTHESIZER
with ON-SCREEN DISPLAY CONTROLLER

8.14 DISPLAY OSCILLATION CIRCUIT

The OSD oscillation circuit has a built-in clock oscillation circuits, so that a clock for OSD can be obtained simply by connecting an LC, a ceramic resonator, or a quartz-crystal oscillator across the pins OSC1 and OSC2. Which of the sub-clock or the OSD oscillation circuit is selected by setting bits 0 and 1 of the interrupt input polarity register (address 00CD16).

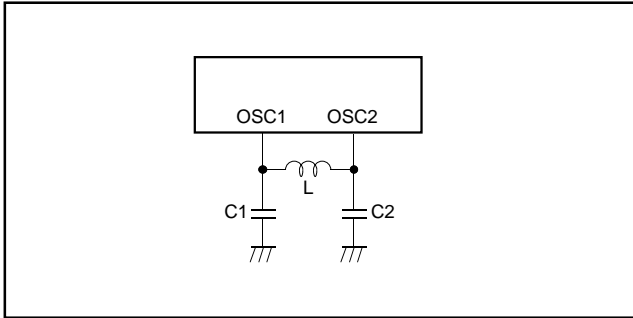


Fig.8.14.1 Display Oscillation Circuit

8.15 AUTO-CLEAR CIRCUIT

When a power source is supplied, the auto-clear function will operate by connecting the following circuit to the $\overline{\text{RESET}}$ pin.

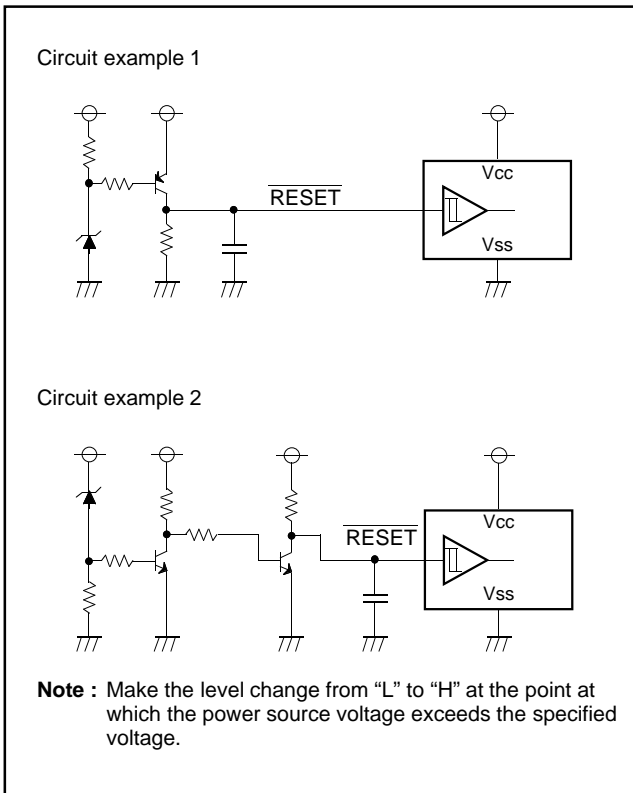


Fig.8.15.1 Auto-clear Circuit Example

8.16 ADDRESSING MODE

The memory access is reinforced with 17 kinds of addressing modes. Refer to SERIES 740 <Software> User's Manual for details.

8.17 MACHINE INSTRUCTIONS

There are 71 machine instructions. Refer to SERIES 740 <Software> User's Manual for details.

9. PROGRAMMING NOTES

- The divide ratio of the timer is $1/(n+1)$.
- Even though the BBC and BBS instructions are executed immediately after the interrupt request bits are modified (by the program), those instructions are only valid for the contents before the modification. At least one instruction cycle is needed (such as an NOP) between the modification of the interrupt request bits and the execution of the BBC and BBS instructions.
- After the ADC and SBC instructions are executed (in the decimal mode), one instruction cycle (such as an NOP) is needed before the SEC, CLC, or CLD instruction is executed.
- An NOP instruction is needed immediately after the execution of a PLP instruction.
- In order to avoid noise and latch-up, connect a bypass capacitor ($\approx 0.1\mu\text{F}$) directly between the Vcc pin-Vss pin, AVcc pin-Vss pin, and the Vcc pin-CNvss pin, using a thick wire.

M37225M6-XXXSP, M37225M8-XXXSP M37225ECSP

SINGLE-CHIP 8-BIT CMOS MICROCOMPUTER for VOLTAGE SYNTHESIZER
with ON-SCREEN DISPLAY CONTROLLER

10. ABSOLUTE MAXIMUM RATINGS

Symbol	Parameter	Conditions	Ratings	Unit
V _{CC} , AV _{CC}	Power source voltage V _{CC}	All voltages are based on V _{SS} . Output transistors are cut off.	-0.3 to 6	V
V _I	Input voltage CNV _{SS}		-0.3 to 6	V
V _I	Input voltage P00-P07, P10-P17, P20-P27, P30-P35, OSC1, X _{IN} , P50, P51, RESET		-0.3 to V _{CC} + 0.3	V
V _O	Output voltage P06, P07, P10-P17, P20-P27, P30-P32, P35, P52-P55, X _{OUT} , OSC2		-0.3 to V _{CC} + 0.3	V
V _O	Output voltage P00-P05		-0.3 to 13	V
I _{OH}	Circuit current P52-P55, P10-P17, P20-P27, P30, P31, P35		0 to 1 (See note 1)	mA
I _{OL1}	Circuit current P52-P55, P06, P07, P10, P15-P17, P20-P23, P30-P32, P35		0 to 2 (See note 2)	mA
I _{OL2}	Circuit current P11-P14		0 to 6 (See note 2)	mA
I _{OL3}	Circuit current P00-P05		0 to 1 (See note 2)	mA
I _{OL4}	Circuit current P24, P27		0 to 10 (See note 3)	mA
P _d	Power dissipation	T _a = 25 °C	550	mW
T _{opr}	Operating temperature		-10 to 70	°C
T _{stg}	Storage temperature		-40 to 125	°C

11. RECOMMENDED OPERATING CONDITIONS (T_a = -10 °C to 70 °C, V_{CC} = 5 V ± 10 %, unless otherwise noted)

Symbol	Parameter	Limits			Unit	
		Min.	Typ.	Max.		
V _{CC}	Power source voltage (See note 4), During CPU, OSD, data slicer operation	4.5	5.0	5.5	V	
V _{SS}	Power source voltage	0	0	0	V	
V _{IH1}	HIGH input voltage P00-P07, P10-P17, P20-P27, P30-P35, S _{IN} , S _{CLK} , P50, P51, RESET, X _{IN} , OSC1, TIM2, TIM3, INT1-INT3	0.8V _{CC}		V _{CC}	V	
V _{IH2}	HIGH input voltage SCL1, SCL2, SDA1, SDA2	0.7V _{CC}		V _{CC}	V	
V _{IL1}	LOW input voltage P00-P07, P10-P17, P20-P27, P30-P35	0		0.4 V _{CC}	V	
V _{IL2}	LOW input voltage SCL1, SCL2, SDA1, SDA2	0		0.3 V _{CC}	V	
V _{IL3}	LOW input voltage (See note 6) P50, P51, RESET, TIM2, TIM3, INT1-INT3, X _{IN} , OSC1, S _{IN} , S _{CLK}	0		0.2 V _{CC}	V	
I _{OH}	HIGH average output current (See note 1) P52-P55, P10-P17, P20-P27, P30, P31, P35			1	mA	
I _{OL1}	LOW average output current (See note 2) P52-P55, P06, P07, P10, P15-P17, P30-P32, P35			2	mA	
I _{OL2}	LOW average output current (See note 2) P11-P14			6	mA	
I _{OL3}	LOW average output current (See note 2) P00-P05			1	mA	
I _{OL4}	LOW average output current (See note 3) P24-P27			10	mA	
f(X _{IN})	Oscillation frequency (for CPU operation) (See note 5) X _{IN}	7.9	8.0	8.1	MHz	
f _{osc}	Oscillation frequency (for OSD) OSC1	RC oscillating mode	5.0	8.0	9.0	MHz
		LC oscillating mode	5.0	8.0	17.0	
		Ceramic oscillating mode	7.9	8.0	8.1	
f _{hs1}	Input frequency TIM2, TIM3			100	kHz	
f _{hs2}	Input frequency S _{CLK}			1	MHz	
f _{hs3}	Input frequency SCL1, SCL2			400	MHz	

M37225M6-XXXSP, M37225M8-XXXSP M37225ECSP

SINGLE-CHIP 8-BIT CMOS MICROCOMPUTER for VOLTAGE SYNTHESIZER
with ON-SCREEN DISPLAY CONTROLLER

12. ELECTRIC CHARACTERISTICS (VCC = 5 V ± 10 %, VSS = 0 V, f(XIN) = 8 MHz, Ta = -10 °C to 70 °C, unless otherwise noted)

Symbol	Parameter		Test conditions		Limits			Unit	Test circuit
					Min.	Typ.	Max.		
ICC	Power source current	System operation	VCC = 5.5 V, f(XIN) = 8 MHz	OSD OFF		20	40	mA	1
				OSD ON		30	60		
	Stop mode	VCC = 5.5 V, f(XIN) = 0			300	mA			
VOH	HIGH output voltage	P52-P55, P10-P17, P20-P27, P30, P31, P35	VCC = 4.5 V IOH = -0.5 mA	2.4			V	2	
VOL	LOW output voltage	P52-P55, P00-P07, P10, P15-P17, P20-P23, P30-P32, P35	VCC = 4.5 V IOL = 0.5 mA			0.4	V		
	LOW output voltage	P24-P27	VCC = 4.5 V IOL = 10.0 mA			3.0			
	LOW output voltage	P11-P14	VCC = 4.5 V	IOL = 3 mA		0.4			
						0.6			
VT+ - VT-	Hysteresis (See note 6)	RESET, P50, P51, TIM2, TIM3, INT1-INT3, SCL1, SCL2, SDA1, SDA2, SIN, SCLK	VCC = 5.0 V		0.5	1.3	V	3	
IIZH	HIGH input leak current	RESET, P00-P07, P10-P17, P20-P27, P30-P35, P50, P51	VCC = 5.5 V VI = 5.5 V			5	µA	4	
IIZL	LOW input leak current	RESET, P00-P07, P10-P17, P20-P27, P30-P35, P50, P51	VCC = 5.5 V VI = 0 V			5	µA		
IOZH	HIGH input leak current	P00-P05	VCC = 5.5 V VI = 12 V			10	µA	5	
RBS	I ² C-BUS-BUS switch connection resistor (between SCL1 and SCL2, SDA1 and SDA2)		VCC = 4.5 V			130	Ω	6	

- Notes 1:** The total current that flows out of the IC must be 20 mA or less.
2: The total input current to IC (IOL1 + IOL2 + IOL3) must be 30 mA or less.
3: The total average input current for ports P24-P27 to IC must be 20 mA or less.
4: Connect 0.1 µF or more capacitor externally between the power source pins VCC-VSS so as to reduce power source noise.
 Also connect 0.1 µF or more capacitor externally between the pins VCC-CNVSS.
5: Use a quartz-crystal oscillator or a ceramic resonator for the CPU oscillation circuit. When using the data slicer, use 8 MHz.
6: P06, P07, P15, P23, P24 have the hysteresis when these pins are used as interrupt input pins or timer input pins. P11-P14 have the hysteresis when these pins are used as multi-master I²C-BUS interface ports. P20-P22 have the hysteresis when these pins are used as serial I/O pins.
7: Pin names in each parameter is described as below.
 (1) Dedicated pins: dedicated pin names.
 (2) Duple-/triple-function ports
 • When the same limits: I/O port name.
 • When the limits of functins except ports are different from I/O port limits: function pin name.

M37225M6-XXXSP, M37225M8-XXXSP M37225ECSP

SINGLE-CHIP 8-BIT CMOS MICROCOMPUTER for VOLTAGE SYNTHESIZER
with ON-SCREEN DISPLAY CONTROLLER

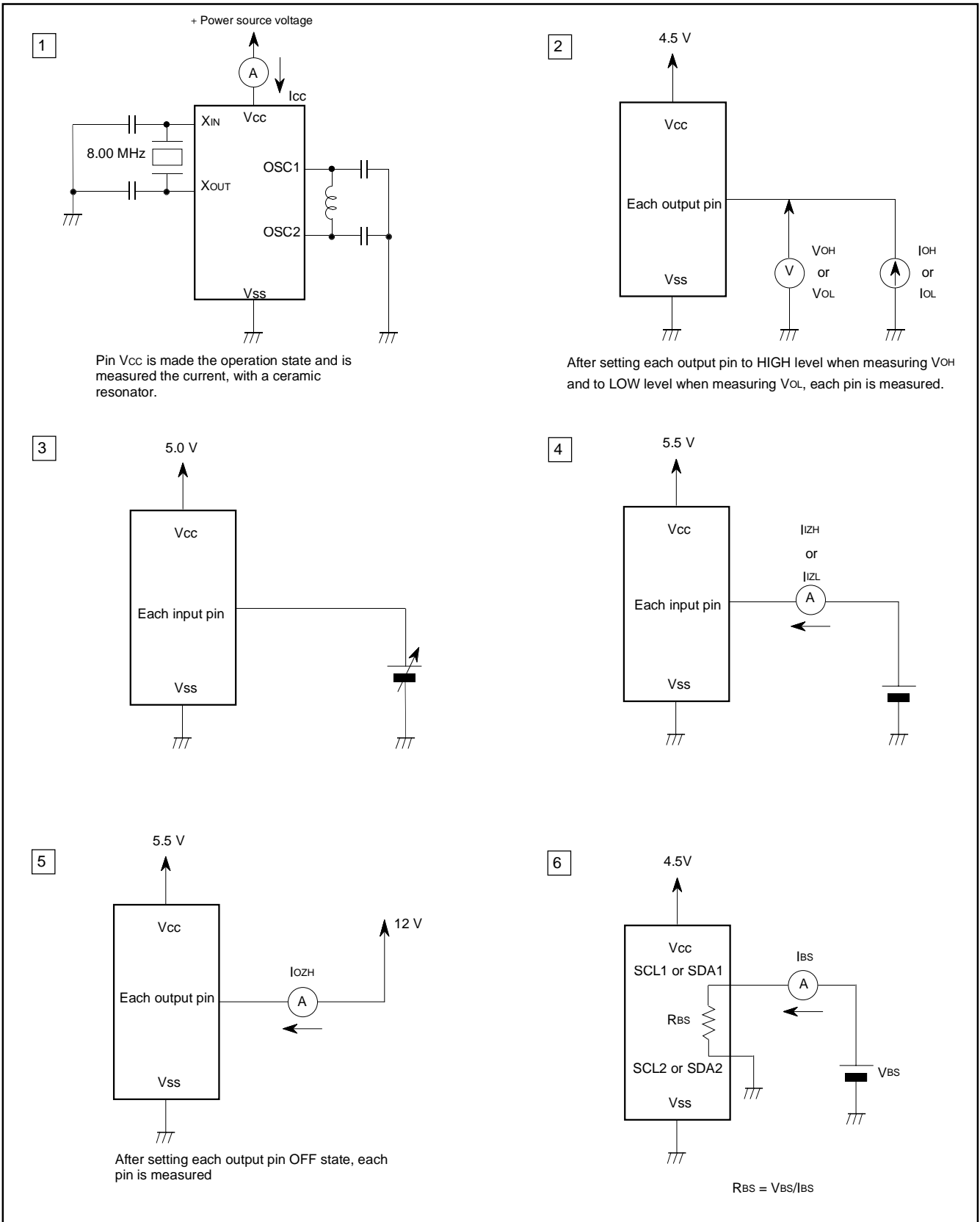


Fig.12.1 Measure Circuits

M37225M6-XXXSP, M37225M8-XXXSP M37225ECSP

SINGLE-CHIP 8-BIT CMOS MICROCOMPUTER for VOLTAGE SYNTHESIZER
with ON-SCREEN DISPLAY CONTROLLER

13. A-D CONVERTER CHARACTERISTICS

(VCC = 5 V ± 10 %, VSS = 0 V, f(XIN) = 8 MHz, Ta = -10 °C to 70 °C, unless otherwise noted)

Symbol	Parameter	Test conditions	Limits			Unit
			Min.	Typ.	Max.	
—	Resolution				8	bits
—	Absolute accuracy (excludig guantization error)	Vcc = 5 V			±2.5	LSB
TCONV	Conversion time		12.25		12.5	µs
RLADDER	Ladder resistor			25		kΩ
VIA	Analog input voltage		0		VREF	V

14. MULTI-MASTER I²C-BUS BUS LINE CHARACTERISTICS

Symbol	Parameter	Standard clock mode		High-speed clock mode		Unit
		Min.	Max.	Min.	Max.	
tBUF	Bus free time	4.7		1.3		µs
tHD; STA	Hold time for START condition	4.0		0.6		µs
tLOW	LOW period of SCL clock	4.7		1.3		µs
tR	Rising time of both SCL and SDA signals		1000	20+0.1Cb	300	ns
tHD; DAT	Data hold time	0		0	0.9	µs
tHIGH	HIGH period of SCL clock	4.0		0.6		µs
tF	Falling time of both SCL and SDA signals		300	20+0.1Cb	300	ns
tSU; DAT	Data set-up time	250		100		ns
tSU; STA	Set-up time for repeated START condition	4.7		0.6		µs
tSU; STO	Set-up time for STOP condition	4.0		0.6		µs

Note: Cb = total capacitance of 1 bus line

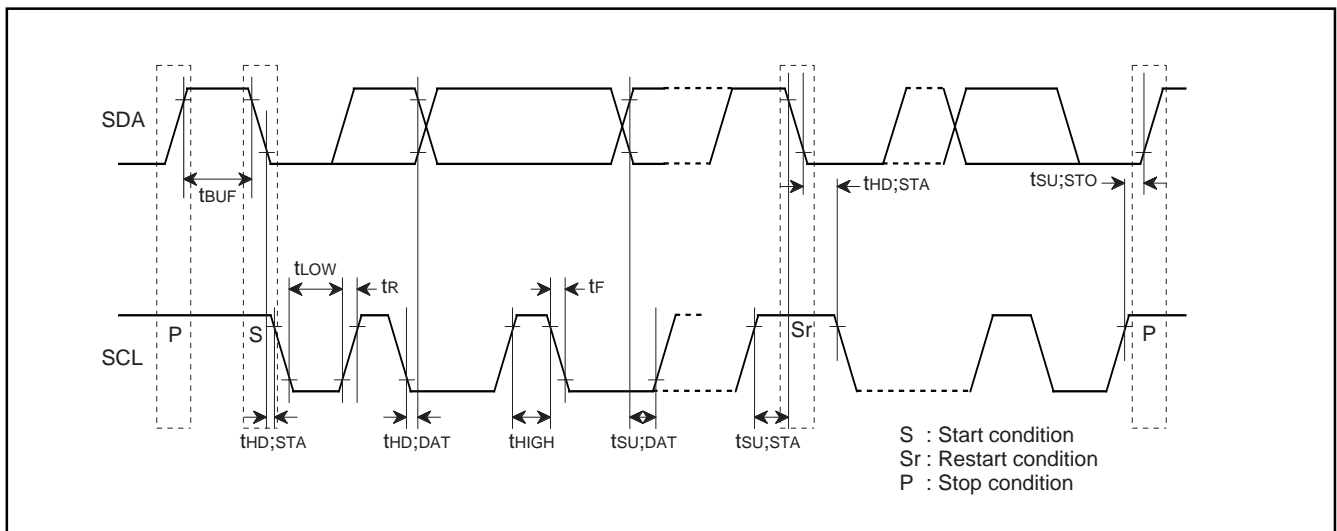


Fig.14.1 Definition Diagram of Timing on Multi-master I²C-BUS

M37225M6-XXXSP, M37225M8-XXXSP M37225ECSP

SINGLE-CHIP 8-BIT CMOS MICROCOMPUTER for VOLTAGE SYNTHESIZER
with ON-SCREEN DISPLAY CONTROLLER

15. PROM PROGRAMMING METHOD

The built-in PROM of the One Time PROM version (blank) and the built-in EPROM version can be read or programmed with a general-purpose PROM programmer using a special programming adapter.

Product	Name of Programming Adapter
M37225ECSP	PCA7408

The PROM of the One Time PROM version (blank) is not tested or screened in the assembly process nor any following processes. To ensure proper operation after programming, the procedure shown in Figure 15.1 is recommended to verify programming.

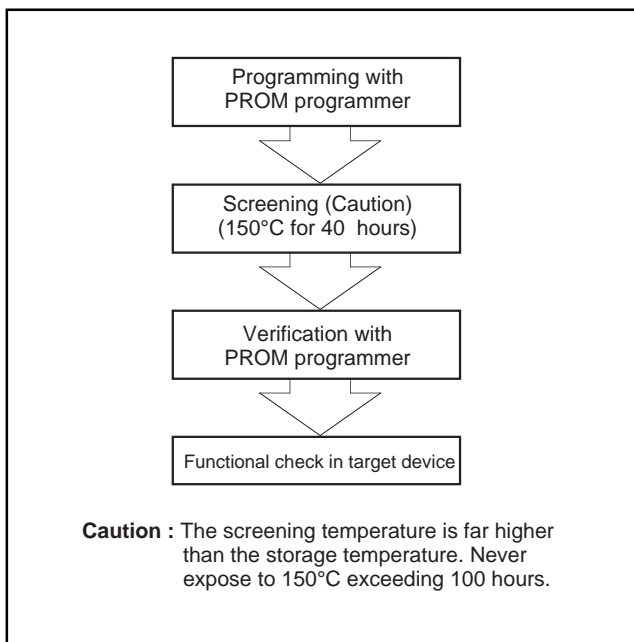


Fig. 15.1 Programming and Testing of One Time PROM Version

**M37225M6-XXXSP, M37225M8-XXXSP
M37225ECSP**

SINGLE-CHIP 8-BIT CMOS MICROCOMPUTER for VOLTAGE SYNTHESIZER
with ON-SCREEN DISPLAY CONTROLLER

16. DATA REQUIRED FOR MASK ORDERS

The following are necessary when ordering a mask ROM production:

- Mask ROM Order Confirmation Form
- Mask Specification Form
- Data to be written to ROM, in EPROM form (32-pin DIP Type 27C101, three identical copies) or FDK

**M37225M6-XXXSP, M37225M8-XXXSP
M37225ECSP**

SINGLE-CHIP 8-BIT CMOS MICROCOMPUTER for VOLTAGE SYNTHESIZER
with ON-SCREEN DISPLAY CONTROLLER

17. MASK CONFIRMATION FORM

GZZ-SH53-91B < 88A0 >

Mask ROM number	
-----------------	--

**740 FAMILY MASK ROM CONFIRMATION FORM
SINGLE-CHIP MICROCOMPUTER M37225M6-XXXSP
MITSUBISHI ELECTRIC**

Receipt	Date:	
	Section head signature	Supervisor signature

Note : Please fill in all items marked *.

*	Customer	Company name	TEL ()	Issuance signature	Submitted by	Supervisor
		Date issued	Date :			

***1. Confirmation**

Three EPROMs are required for each pattern if this order is performed by EPROMs.
One floppy disk is required for each pattern if this order is performed by a floppy disk.

Ordering by EPROMs

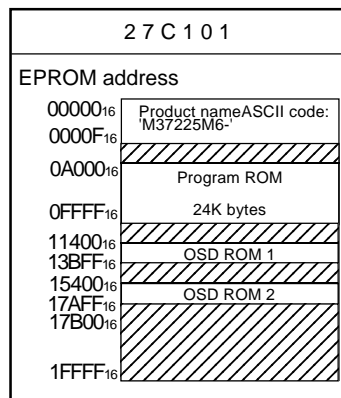
If at least two of the three sets of EPROMs submitted contain identical data, we will produce masks based on this data. We shall assume the responsibility for errors only if the mask ROM data on the products we produce differs from this data. Thus, extreme care must be taken to verify the data in the submitted EPROMs.

Checksum code for entire EPROM

--	--	--	--

 (hexadecimal notation)

EPROM type (indicate the type used)



(1) Set "FF₁₆" in the shaded area.

**M37225M6-XXXSP, M37225M8-XXXSP
M37225ECSP**

SINGLE-CHIP 8-BIT CMOS MICROCOMPUTER for VOLTAGE SYNTHESIZER
with ON-SCREEN DISPLAY CONTROLLER

GZZ-SH53-91B < 88A0 >

**740 FAMILY MASK ROM CONFIRMATION FORM
SINGLE-CHIP MICROCOMPUTER M37225M6-XXXSP
MITSUBISHI ELECTRIC**

(2) Write the ASCII codes that indicate the product name of "M37225M6-" to addresses 00000₁₆ to 0000F₁₆.

Addresses 00000₁₆ to 0000F₁₆ store the product name.

ASCII codes 'M37225M6-' are listed on the right.

The addresses and data are in hexadecimal notation.

address and data are described in hexadecimal notation.

Note: If the name of the product contained in the EPROMs does not match the name on the mask ROM confirmation form, the ROM processing is disabled. Please make sure the data is written correctly.

Address		Address	
00000 ₁₆	'M' = 4 D ₁₆	00008 ₁₆	'-' = 2 D ₁₆
00001 ₁₆	'3' = 3 3 ₁₆	00009 ₁₆	F F ₁₆
00002 ₁₆	'7' = 3 7 ₁₆	0000A ₁₆	F F ₁₆
00003 ₁₆	'2' = 3 2 ₁₆	0000B ₁₆	F F ₁₆
00004 ₁₆	'2' = 3 2 ₁₆	0000C ₁₆	F F ₁₆
00005 ₁₆	'5' = 3 5 ₁₆	0000D ₁₆	F F ₁₆
00006 ₁₆	'M' = 4 D ₁₆	0000E ₁₆	F F ₁₆
00007 ₁₆	'6' = 3 6 ₁₆	0000F ₁₆	F F ₁₆

*2. Mark specification

Mark specification must be submitted using the correct form for the type of package being ordered. Fill the appropriate mark specification form (42P4B for M37225M6-XXXSP) and attach to the mask ROM confirmation form.

M37225M6-XXXSP, M37225M8-XXXSP M37225ECSP

SINGLE-CHIP 8-BIT CMOS MICROCOMPUTER for VOLTAGE SYNTHESIZER
with ON-SCREEN DISPLAY CONTROLLER

GZZ-SH53-91B < 88A0 >


740 FAMILY MASK ROM CONFIRMATION FORM SINGLE-CHIP MICROCOMPUTER M37225M6-XXXSP MITSUBISHI ELECTRIC

Inputting the character ROM

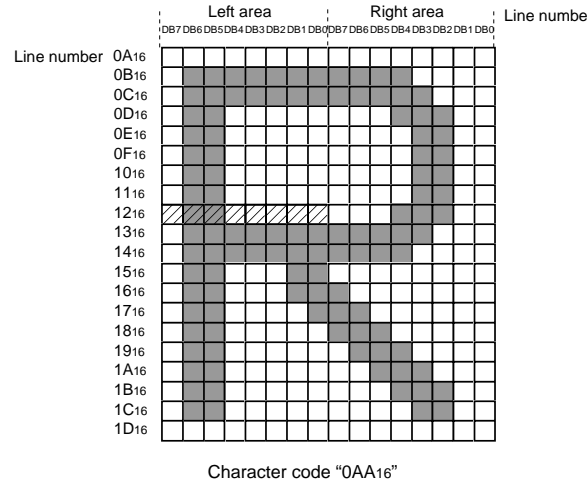
OSD ROM address of character font data

OSD ROM address bit	AD16	AD15	AD14	AD13	AD12	AD11	AD10	AD9	AD8	AD7	AD6	AD5	AD4	AD3	AD2	AD1	AD0
Line number / Character code / Font bit	1	0	Character code (high-order 1)	Line number				Character code (low-order 8 bits)									Font bit

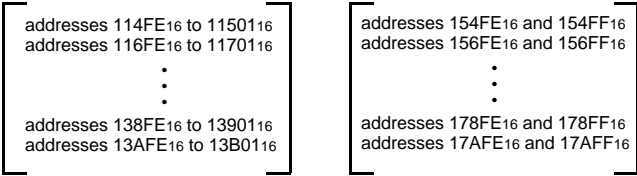
Line number = "0A16" to "1D16"
Character code = "00016" to "17F16" ("07F16", "08016" and "17F16" cannot be used.)
Font bit = 0: Left area
 1: Right area

Example) The font data "60" (shaded area ) of the character code "0AA16" is stored in address

$1_1 0_0 0_1 0_1 0_1 0_1 0_1 0_1 0_1 0_0 0_1 0_1 0_1 0_1 0_0 0_1 0_0_2 = 12554_{16}$

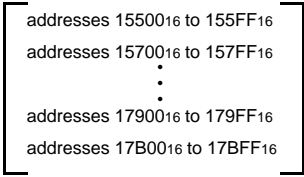


- Note:** The 120-byte addresses corresponding to the character codes "07F16", "08016" and "1F16" in OSD ROM are the test data storing area. Set "FF16" to the area (We stores the test data to this area and the different data from "FF16" is stored for the actual products.)
The test data storing area :
- addresses 1100016 + (4 + 2n) X 10016 + FE16 to 1100016 + (5 + 2n) X 10016 + 0116 (n = 0 to 19)
 - addresses 1500016 + (4 + 2n) X 10016 + FE16 and 1500016 + (4 + 2n) X 10016 + FF16 (n = 0 to 19)



The 5120-byte addresses corresponding to the character codes "18016" to "1FF16" are not in OSD ROM. Set "FF16" to the area, too.

- addresses 1500016 + (5 + 2n) X 10016 + 0016 to 1500016 + (5 + 2n) X 10016 + FF16 (n = 0 to 19)



**M37225M6-XXXSP, M37225M8-XXXSP
M37225ECSP**

SINGLE-CHIP 8-BIT CMOS MICROCOMPUTER for VOLTAGE SYNTHESIZER
with ON-SCREEN DISPLAY CONTROLLER

GZZ-SH54-34B < 89A0 >

Mask ROM number	
-----------------	--

**740 FAMILY MASK ROM CONFIRMATION FORM
SINGLE-CHIP MICROCOMPUTER M37225M8-XXXSP
MITSUBISHI ELECTRIC**

Receipt	Date:	
	Section head signature	Supervisor signature

Note : Please fill in all items marked *.

*	Customer	Company name	TEL ()	Issuance signature	Submitted by	Supervisor
		Date issued	Date :			

***1. Confirmation**

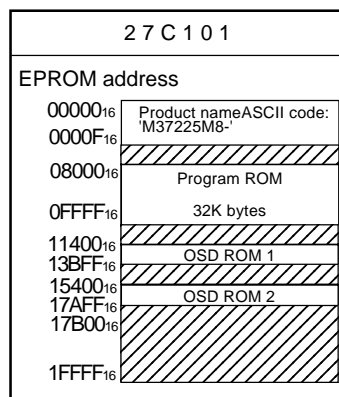
Three EPROMs are required for each pattern if this order is performed by EPROMs.
One floppy disk is required for each pattern if this order is performed by a floppy disk.

Ordering by EPROMs

If at least two of the three sets of EPROMs submitted contain identical data, we will produce masks based on this data. We shall assume the responsibility for errors only if the mask ROM data on the products we produce differs from this data. Thus, extreme care must be taken to verify the data in the submitted EPROMs.

Checksum code for entire EPROM (hexadecimal notation)

EPROM type (indicate the type used)



(1) Set "FF₁₆" in the shaded area.

**M37225M6-XXXSP, M37225M8-XXXSP
M37225ECSP**

SINGLE-CHIP 8-BIT CMOS MICROCOMPUTER for VOLTAGE SYNTHESIZER
with ON-SCREEN DISPLAY CONTROLLER

GZZ-SH54-34B < 89A0 >

**740 FAMILY MASK ROM CONFIRMATION FORM
SINGLE-CHIP MICROCOMPUTER M37225M8-XXXSP
MITSUBISHI ELECTRIC**

- (2) Write the ASCII codes that indicate the product name of "M37225M8-" to addresses 00000₁₆ to 0000F₁₆.

Addresses 00000₁₆ to 0000F₁₆ store the product name.
ASCII codes 'M37225M8-' are listed on the right.
The addresses and data are in hexadecimal notation.
address and data are described in hexadecimal notation.

Address		Address	
00000 ₁₆	'M' = 4 D ₁₆	00008 ₁₆	'-' = 2 D ₁₆
00001 ₁₆	'3' = 3 3 ₁₆	00009 ₁₆	FF ₁₆
00002 ₁₆	'7' = 3 7 ₁₆	0000A ₁₆	FF ₁₆
00003 ₁₆	'2' = 3 2 ₁₆	0000B ₁₆	FF ₁₆
00004 ₁₆	'2' = 3 2 ₁₆	0000C ₁₆	FF ₁₆
00005 ₁₆	'5' = 3 5 ₁₆	0000D ₁₆	FF ₁₆
00006 ₁₆	'M' = 4 D ₁₆	0000E ₁₆	FF ₁₆
00007 ₁₆	'8' = 3 8 ₁₆	0000F ₁₆	FF ₁₆

Note: If the name of the product contained in the EPROMs does not match the name on the mask ROM confirmation form, the ROM processing is disabled. Please make sure the data is written correctly.

*2. Mark specification

Mark specification must be submitted using the correct form for the type of package being ordered. Fill the appropriate mark specification form (42P4B for M37225M8-XXXSP) and attach to the mask ROM confirmation form.

M37225M6-XXXSP, M37225M8-XXXSP M37225ECSP

SINGLE-CHIP 8-BIT CMOS MICROCOMPUTER for VOLTAGE SYNTHESIZER
with ON-SCREEN DISPLAY CONTROLLER

GZZ-SH54-34B < 89A0 >


740 FAMILY MASK ROM CONFIRMATION FORM SINGLE-CHIP MICROCOMPUTER M37225M8-XXXSP MITSUBISHI ELECTRIC

Inputting the character ROM

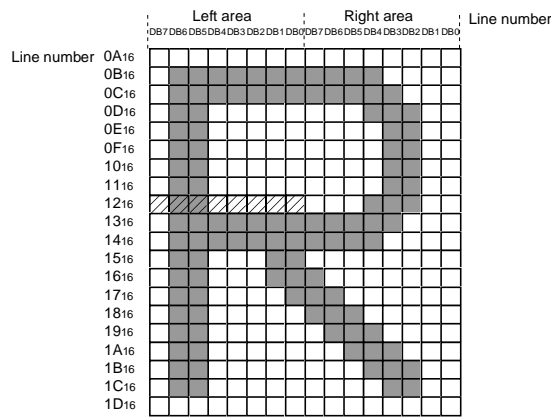
OSD ROM address of character font data

OSD ROM address bit	AD16	AD15	AD14	AD13	AD12	AD11	AD10	AD9	AD8	AD7	AD6	AD5	AD4	AD3	AD2	AD1	AD0
Line number / Character code / Font bit	1	0	Character code (high-order 1)	Line number				Character code (low-order 8 bits)								Font bit	

Line number = "0A₁₆" to "1D₁₆"
 Character code = "000₁₆" to "17F₁₆" ("07F₁₆", "080₁₆" and "17F₁₆" cannot be used.)
 Font bit = 0: Left area
 1: Right area

Example) The font data "60" (shaded area ) of the character code "0AA₁₆" is stored in address

$$1;0\ 0\ 1\ 0;0\ 1\ 0\ 1;0\ 1\ 0\ 1;0\ 1\ 0\ 0;2 = 12554_{16}$$

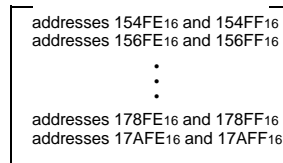
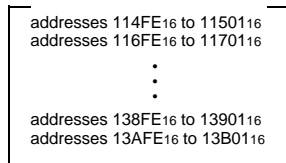


Character code "0AA₁₆"

Note: The 120-byte addresses corresponding to the character codes "07F₁₆," "080₁₆" and "1F₁₆" in OSD ROM are the test data storing area. Set "FF₁₆" to the area (We stores the test data to this area and the different data from "FF₁₆" is stored for the actual products.)

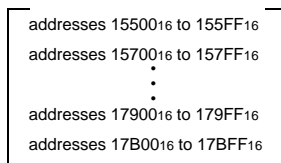
The test data storing area :

- addresses 11000₁₆ + (4 + 2n) X 100₁₆ + FE₁₆ to 11000₁₆ + (5 + 2n) X 100₁₆ + 01₁₆ (n = 0 to 19)
- addresses 15000₁₆ + (4 + 2n) X 100₁₆ + FE₁₆ and 15000₁₆ + (4 + 2n) X 100₁₆ + FF₁₆ (n = 0 to 19)



The 5120-byte addresses corresponding to the character codes "180₁₆" to "1FF₁₆" are not in OSD ROM. Set "FF₁₆" to the area, too.

- addresses 15000₁₆ + (5 + 2n) X 100₁₆ + 00₁₆ to 15000₁₆ + (5 + 2n) X 100₁₆ + FF₁₆ (n = 0 to 19)



M37225M6-XXXSP, M37225M8-XXXSP M37225ECSP

SINGLE-CHIP 8-BIT CMOS MICROCOMPUTER for VOLTAGE SYNTHESIZER
with ON-SCREEN DISPLAY CONTROLLER

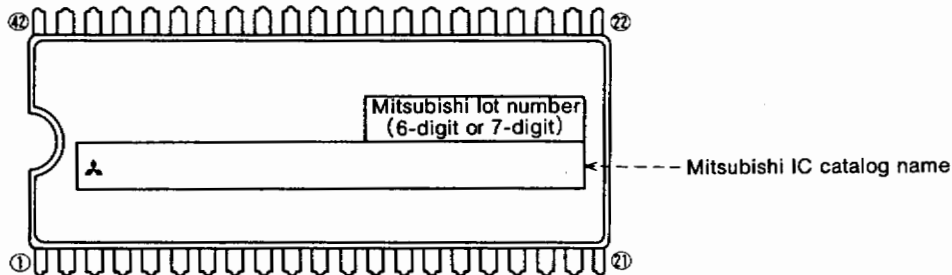
18. MARK SPECIFICATION FORM

42P4B (42-PIN SHRINK DIP) MARK SPECIFICATION FORM

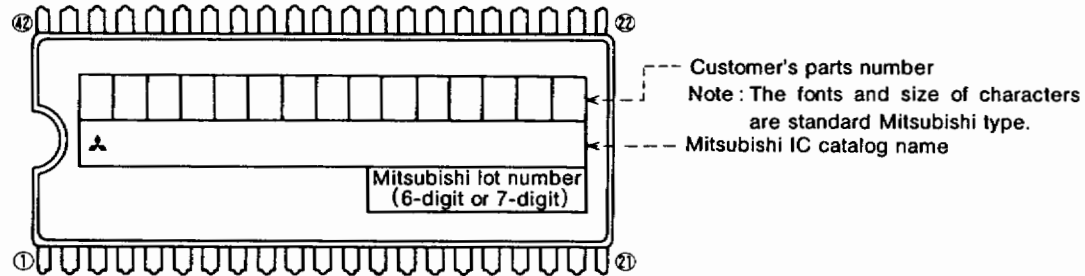
Mitsubishi IC catalog name

Please choose one of the marking types below (A, B, C), and enter the Mitsubishi IC catalog name and the special mark (if needed).

A. Standard Mitsubishi Mark



B. Customer's Parts Number + Mitsubishi Catalog Name



Note1 : The mark field should be written right aligned.

2 : The fonts and size of characters are standard Mitsubishi type.

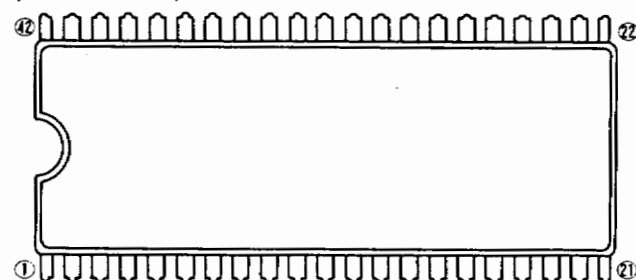
3 : Customer's parts number can be up to 15 characters :

Only 0~9, A~Z, +, -, /, (,), &, ©, . (period), and , (comma) are usable.

4 : If the Mitsubishi logo ♣ is not required, check the box on the right.

♣Mitsubishi logo is not required

C. Special Mark Required



Note1 : If the special mark is to be printed, indicate the desired layout of the mark in the upper figure. The layout will be duplicated as close as possible. Mitsubishi lot number (6-digit or 7-digit) and mask ROM number (3-digit) are always marked.

2 : If the customer's trade mark logo must be used in the special mark, check the box below. Please submit a clean original of the logo.

For the new special character fonts a clean font original (ideally logo drawing) must be submitted.

The standard Mitsubishi font is used for all characters except for a logo.

Special logo required

M37225M6-XXXSP, M37225M8-XXXSP M37225ECSP

SINGLE-CHIP 8-BIT CMOS MICROCOMPUTER for VOLTAGE SYNTHESIZER
with ON-SCREEN DISPLAY CONTROLLER

19. ONE TIME PROM VERSION M37225ECSP MARKING



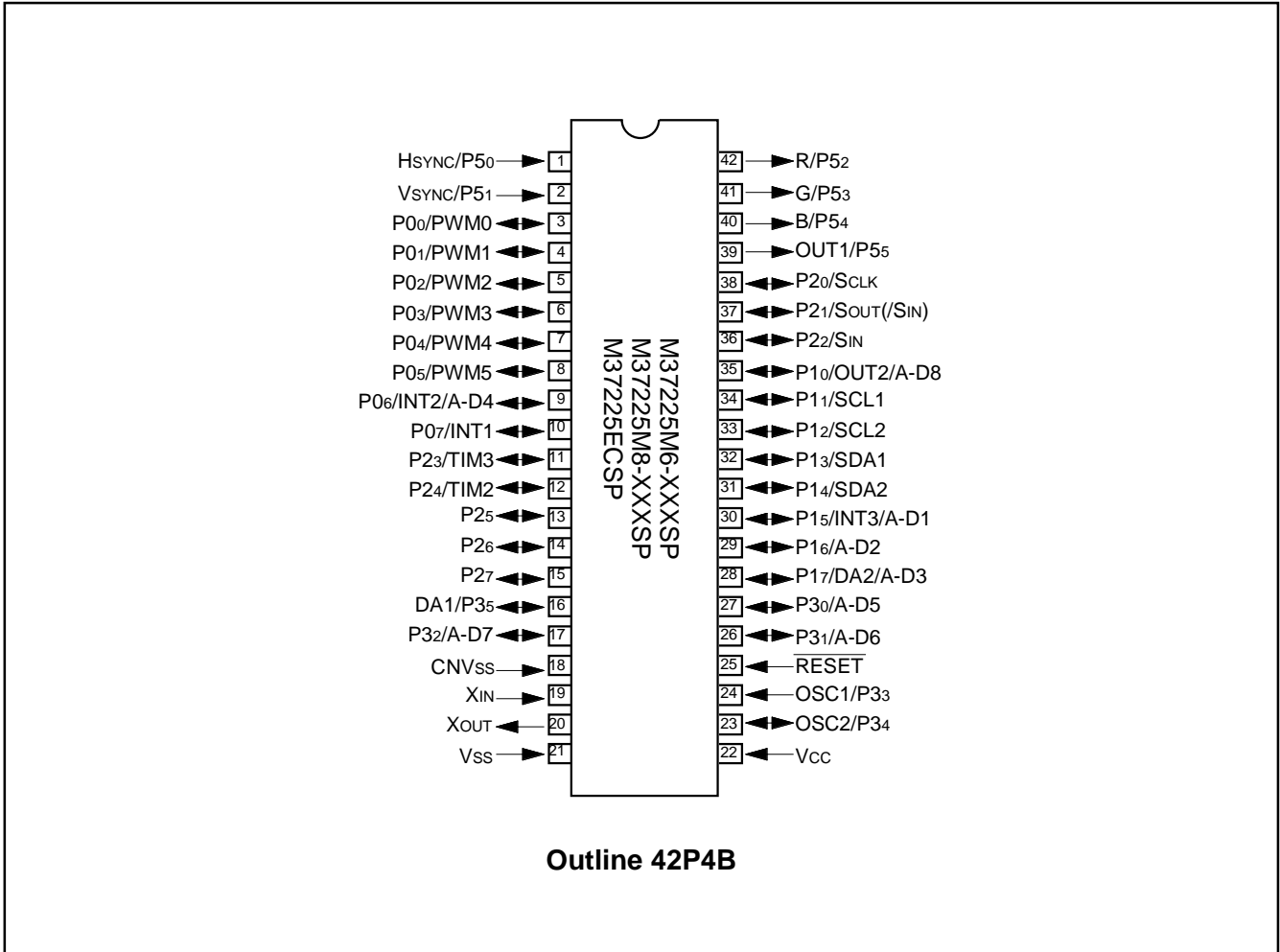
XXXXXXX is mitsubishi lot number

M37225M6-XXXSP, M37225M8-XXXSP M37225ECSP

SINGLE-CHIP 8-BIT CMOS MICROCOMPUTER for VOLTAGE SYNTHESIZER
with ON-SCREEN DISPLAY CONTROLLER

20. APPENDIX

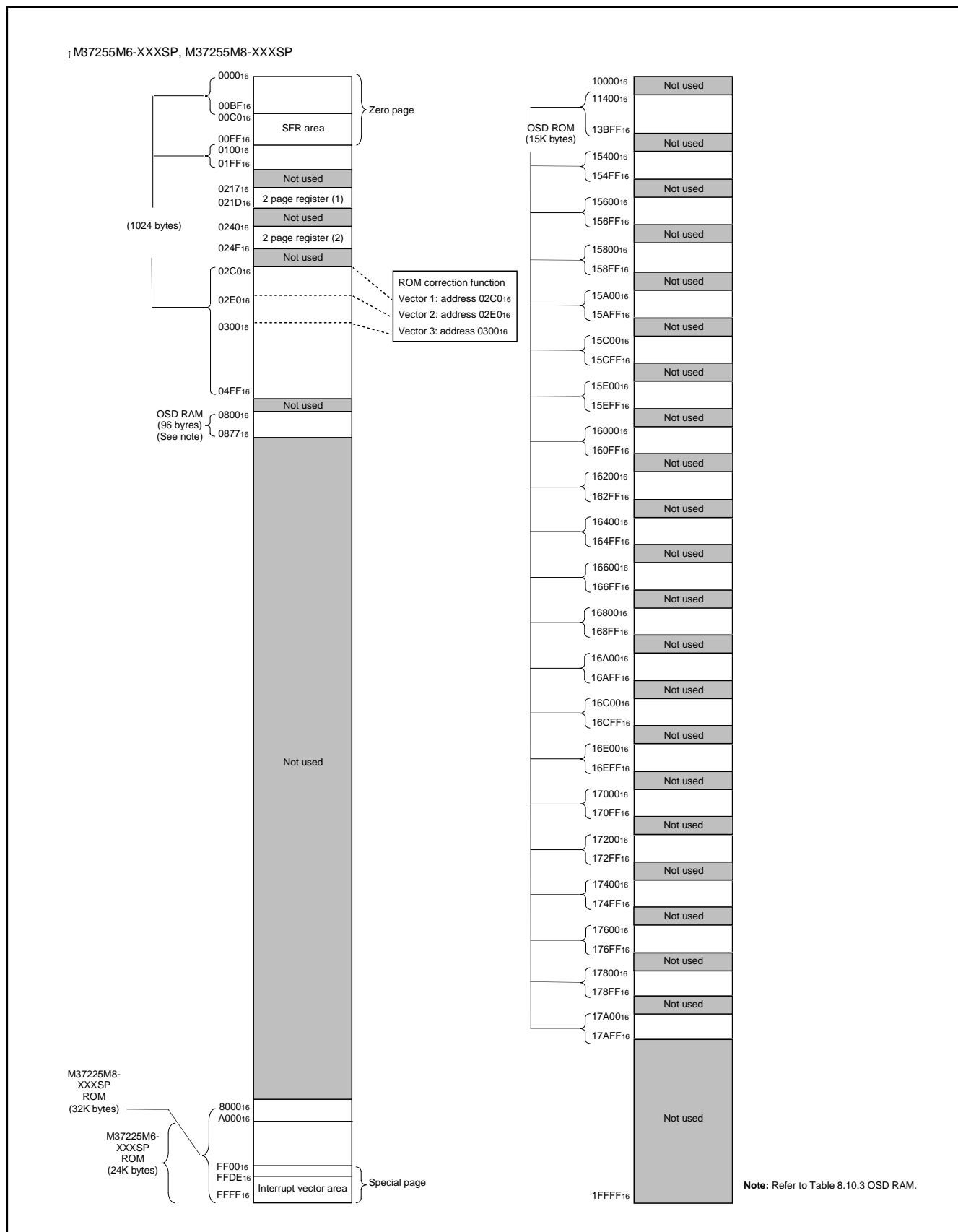
Pin Configuration (TOP VIEW)



M37225M6-XXXSP, M37225M8-XXXSP M37225ECSP

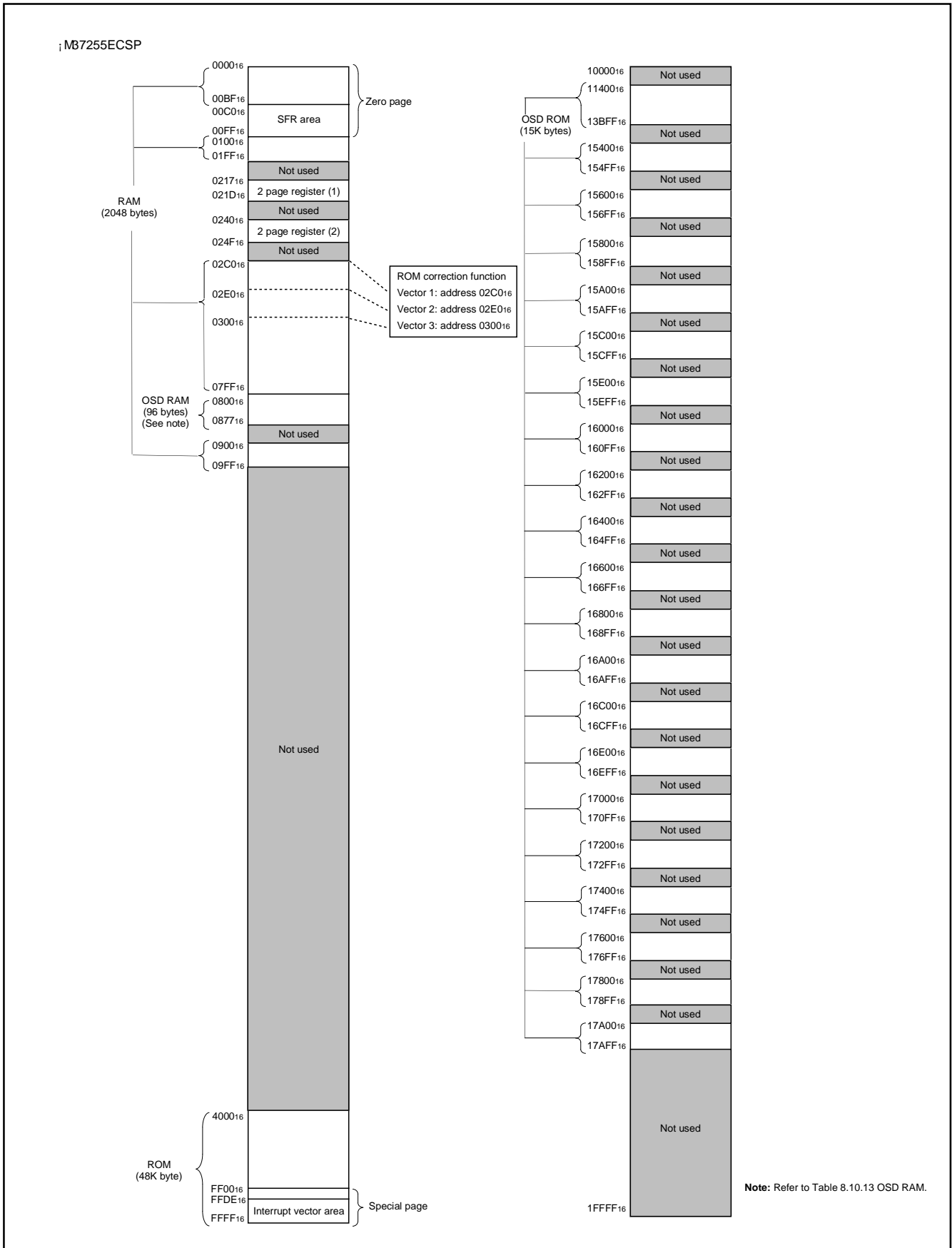
SINGLE-CHIP 8-BIT CMOS MICROCOMPUTER for VOLTAGE SYNTHESIZER
with ON-SCREEN DISPLAY CONTROLLER

Memory Map



M37225M6-XXXSP, M37225M8-XXXSP M37225ECSP

SINGLE-CHIP 8-BIT CMOS MICROCOMPUTER for VOLTAGE SYNTHESIZER
with ON-SCREEN DISPLAY CONTROLLER



M37225M6-XXXSP, M37225M8-XXXSP M37225ECSP

SINGLE-CHIP 8-BIT CMOS MICROCOMPUTER for VOLTAGE SYNTHESIZER
with ON-SCREEN DISPLAY CONTROLLER

Memory Map of Special Function Register (SFR)

■ SFR area (addresses C0₁₆ to DF₁₆)

Bit allocation

: } Function bit
Name : }

: No function bit

0 : Fix to this bit to "0"
(do not write to "1")

1 : Fix to this bit to "1"
(do not write to "0")

State immediately after reset

0 : "0" immediately after reset

1 : "1" immediately after reset

? : Indeterminate immediately after reset

Address	Register	Bit allocation								State immediately after reset								
		b7	b6	b5	b4	b3	b2	b1	b0	b7	b6	b5	b4	b3	b2	b1	b0	
C0 ₁₆	Port P0 (P0)																	?
C1 ₁₆	Port P0 direction register (D0)																	00 ₁₆
C2 ₁₆	Port P1 (P1)																	?
C3 ₁₆	Port P1 direction register (D1)																	00 ₁₆
C4 ₁₆	Port P2 (P2)																	?
C5 ₁₆	Port P2 direction register (D2)																	00 ₁₆
C6 ₁₆	Port P3 (P3)																	?
C7 ₁₆	Port P3 direction register (D3)									P31S	P30S	P35D			P32D	P31D	P30D	0 0 0 ? ? 0 0 0
C8 ₁₆																		?
C9 ₁₆	Port P35 output mode control register (P3S)	0	0	P35S														0 0 0 0 ? ? ? ?
CA ₁₆	Port P5 (P5)											P55 OUT	P54 OUT	P53 OUT	P52 OUT	P51 IN	P50 IN	0 0 ? ? ? ? ? ?
CB ₁₆	OSD port control register (PF)	0		OUT2 SEL	P55 SEL	P54 SEL	P53 SEL	P52 SEL	0									00 ₁₆
CC ₁₆	Test register							1	1									0 0 0 0 1 1 ? ?
CD ₁₆	Interrupt input polarity register (IP)	0	0	POL3	POL2	POL1		0	OCG1	OCG0							00 ₁₆	
CE ₁₆	DA1-H register (DA1-H)																	?
CF ₁₆	DA1-L register (DA1-L)																	0 0 ? ? ? ? ? ?
D0 ₁₆	PWM0 register (PWM0)																	?
D1 ₁₆	PWM1 register (PWM1)																	?
D2 ₁₆	PWM2 register (PWM2)																	?
D3 ₁₆	PWM3 register (PWM3)																	?
D4 ₁₆	PWM4 register (PWM4)																	?
D5 ₁₆	PWM output control register 1 (PW)																	00 ₁₆
D6 ₁₆	PWM output control register 2 (PN)	0	0	PN5	PN4	PN3	PN2		0	0								00 ₁₆
D7 ₁₆	I ² C data shift register (S0)	D7	D6	D5	D4	D3	D2	D1	D0									?
D8 ₁₆	I ² C address register (S0D)	SAD6	SAD5	SAD4	SAD3	SAD2	SAD1	SAD0	RBW									00 ₁₆
D9 ₁₆	I ² C status register (S1)	MST	TRX	BB	PIN	AL	AAS	AD0	LRB									0 0 0 1 0 0 0 ?
DA ₁₆	I ² C control register (S1D)	BSEL1	BSEL0	10BIT SAD	ALS	ESO	BC2	BC1	BC0									00 ₁₆
DB ₁₆	I ² C clock control register (S2)	ACK BIT	FAST MODE	CCR4	CCR3	CCR2	CCR1	CCR0										00 ₁₆
DC ₁₆	Serial I/O mode register (SM)		SM6	SM5	0	SM3	SM2	SM1	SM0									00 ₁₆
DD ₁₆	Serial I/O register (SIO)																	?
DE ₁₆	AD conversion register (AD)																	?
DF ₁₆	AD control register (ADCON)	0		0	ADVREF	ADSTR	ADIN2	ADIN1	ADIN0									08 ₁₆

M37225M6-XXXSP, M37225M8-XXXSP M37225ECSP

SINGLE-CHIP 8-BIT CMOS MICROCOMPUTER for VOLTAGE SYNTHESIZER
with ON-SCREEN DISPLAY CONTROLLER

■ SFR area (addresses E0₁₆ to FF₁₆)

Bit allocation

: Function bit
Name :

: No function bit

0 : Fix to this bit to "0"
(do not write to "1")

1 : Fix to this bit to "1"
(do not write to "0")

State immediately after reset

0 : "0" immediately after reset

1 : "1" immediately after reset

? : Indeterminate immediately after reset

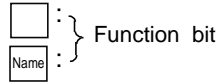
Address	Register	Bit allocation								State immediately after reset							
		b7							b0	b7							b0
E0 ₁₆	Block H register (BHP)			BHP5	BHP4	BHP3	BHP2	BHP1	BHP0								00 ₁₆
E1 ₁₆	Block 1V register (B1VP)	B1VP7	B1VP6	B1VP5	B1VP4	B1VP3	B1VP2	B1VP1	B1VP0								?
E2 ₁₆	Block 2V register (B2VP)	B2VP7	B2VP6	B2VP5	B2VP4	B2VP3	B2VP2	B2VP1	B2VP0								?
E3 ₁₆	SPRITE control register (SC)	SC7	SC6	SC5	SC4	SC3	SC2	SC1	SC0								00 ₁₆
E4 ₁₆	SPRITE H register (SHP)	SHP7	SHP6	SHP5	SHP4	SHP3	SHP2	SHP1	SHP0								00 ₁₆
E5 ₁₆	SPRITE V register (SVP)	SVP7	SVP6	SVP5	SVP4	SVP3	SVP2	SVP1	SVP0								?
E6 ₁₆	Color register 1 (CO1)		CO16	CO15	CO14	CO13	CO12	CO11	CO10	0	?	?	?	?	?	?	?
E7 ₁₆	Color register 2 (CO2)		CO26	CO25	CO24	CO23	CO22	CO21	CO20	0	?	?	?	?	?	?	?
E8 ₁₆	Color register 3 (CO3)		CO36	CO35	CO34	CO33	CO32	CO31	CO30	0	?	?	?	?	?	?	?
E9 ₁₆	Color register 4 (CO4)		CO46	CO45	CO44	CO43	CO42	CO41	CO40	0	?	?	?	?	?	?	?
EA ₁₆	OSD control register (OC)	OC7	OC6	OC5	OC4	OC3	OC2	OC1	OC0								00 ₁₆
EB ₁₆	OSD I/O polarity control register (OPC)	OPC7	OPC6	OPC5	OPC4	OPC3	OPC2	OPC1	OPC0								00 ₁₆
EC ₁₆	Color register 5 (CO5)		CO56	CO55	CO54	CO53	CO52	CO51	CO50	0	?	?	?	?	?	?	?
ED ₁₆	Color register 6 (CO6)		CO66	CO65	CO64	CO63	CO62	CO61	CO60	0	?	?	?	?	?	?	?
EE ₁₆	Color register 7 (CO7)		CO76	CO75	CO74	CO73	CO72	CO71	CO70	0	?	?	?	?	?	?	?
EF ₁₆	Color register 8 (CO8)		CO86	CO85	CO84	CO83	CO82	CO81	CO80	0	?	?	?	?	?	?	?
F0 ₁₆	Timer 1 (T1)																FF ₁₆
F1 ₁₆	Timer 2 (T2)																07 ₁₆
F2 ₁₆	Timer 3 (T3)																FF ₁₆
F3 ₁₆	Timer 4 (T4)																07 ₁₆
F4 ₁₆	Timer mode register 1 (TM1)			TM15	TM14	TM13	TM12	TM11	TM10								00 ₁₆
F5 ₁₆	Timer mode register 2 (TM2)			TM25	TM24	TM23	TM22	TM21	TM20								00 ₁₆
F6 ₁₆	PWM5 register (PWM5)																?
F7 ₁₆	Test register																?
F8 ₁₆	Test register																?
F9 ₁₆	Block 1 control register (B1C)				B1C4	B1C3	B1C2	B1C1	B1C0	0	0	0	?	?	?	?	?
FA ₁₆	Block 2 control register (B2C)				B2C4	B2C3	B2C2	B2C1	B2C0	0	0	0	?	?	?	?	?
FB ₁₆	CPU mode register (CM)	0	0	1	1	1	CM2	0	0								3C ₁₆
FC ₁₆	Interrupt request register 1 (IREQ1)	IT3R	IICR	VSCR	OSDR	TM4R	TM3R	TM2R	TM1R								00 ₁₆
FD ₁₆	Interrupt request register 2 (IREQ2)	0	ADR		MSR	SPR	S1R	IT2R	IT1R								00 ₁₆
FE ₁₆	Interrupt control register 1 (ICON1)	IT3E	IICE	VSCE	OSDE	TM4E	TM3E	TM2E	TM1E								00 ₁₆
FF ₁₆	Interrupt control register 2 (ICON2)		ADE	0	MSE	SPE	S1E	IT2E	IT1E								00 ₁₆

M37225M6-XXXSP, M37225M8-XXXSP M37225ECSP

SINGLE-CHIP 8-BIT CMOS MICROCOMPUTER for VOLTAGE SYNTHESIZER
with ON-SCREEN DISPLAY CONTROLLER

■ 2 page register area (addresses 210₁₆ to 21F₁₆, 240₁₆ to 24F₁₆)

Bit allocation



: No function bit

0 : Fix to this bit to "0"
(do not write to "1")

1 : Fix to this bit to "1"
(do not write to "0")

State immediately after reset

0 : "0" immediately after reset

1 : "1" immediately after reset

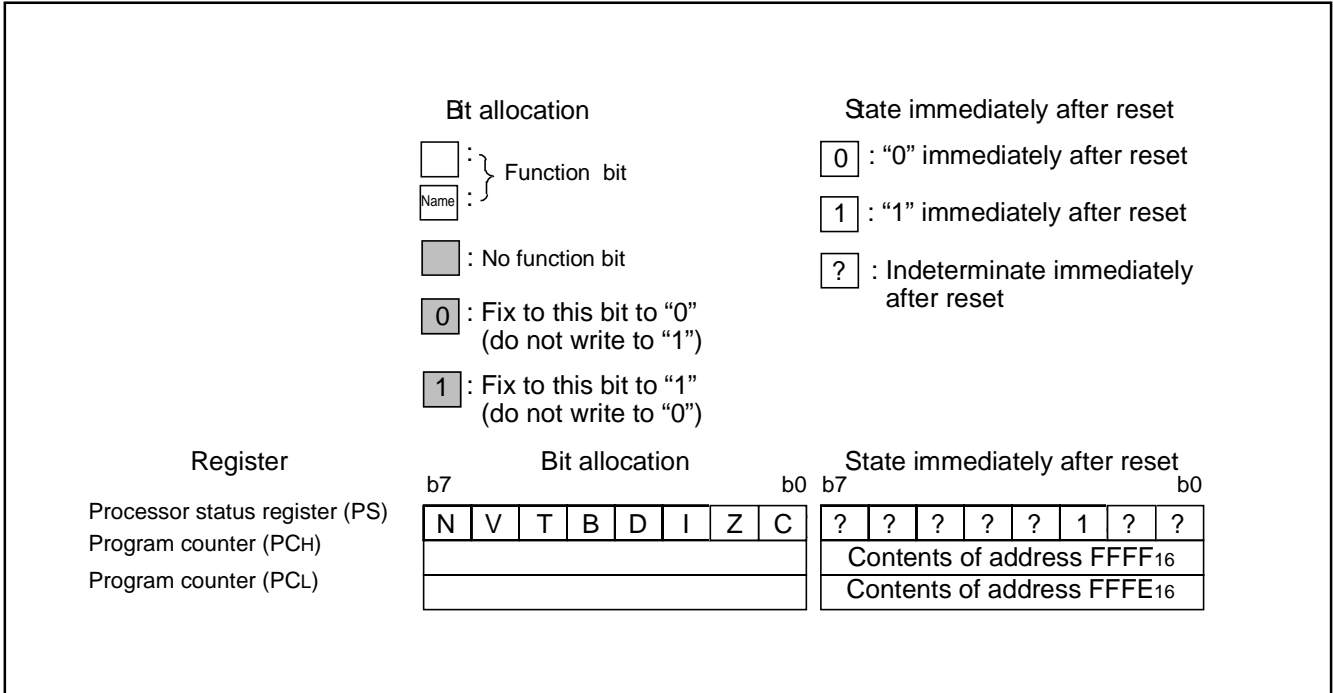
? : Indeterminate immediately after reset

Address	Register	Bit allocation								State immediately after reset							
		b7				b0				b7				b0			
210 ₁₆										?							
211 ₁₆										?							
212 ₁₆										?							
213 ₁₆										?							
214 ₁₆										?							
215 ₁₆										?							
216 ₁₆										?							
217 ₁₆	ROM correction address 1 (high-order)									00 ₁₆							
218 ₁₆	ROM correction address 1 (low-order)									00 ₁₆							
219 ₁₆	ROM correction address 2 (high-order)									00 ₁₆							
21A ₁₆	ROM correction address 2 (low-order)									00 ₁₆							
21B ₁₆	ROM correction enable register (RCR)	0	0	0	0	0	RCR2	RCR1	RCR0	00 ₁₆							
21C ₁₆	ROM correction address 3 (high-order)									00 ₁₆							
21D ₁₆	ROM correction address 3 (low-order)									00 ₁₆							
21E ₁₆										?							
21F ₁₆										?							
240 ₁₆	Left border control register (LBR)	LBR6	LBR5	LBR4	LBR3	LBR2	LBR1	LBR0	00 ₁₆								
241 ₁₆	Right border control register (RBR)	RBR6	RBR5	RBR4	RBR3	RBR2	RBR1	RBR0	00 ₁₆								
242 ₁₆										?							
243 ₁₆										?							
244 ₁₆										?							
245 ₁₆	Top border control register (TBR)	TBR7	TBR6	TBR5	TBR4	TBR3	TBR2	TBR1	TBR0	?							
246 ₁₆	Bottom border control register (BBR)	BBR7	BBR6	BBR5	BBR4	BBR3	BBR2	BBR1	BBR0	?							
247 ₁₆	Test register	00 ₁₆								00 ₁₆							
248 ₁₆										?							
249 ₁₆										?							
24A ₁₆										?							
24B ₁₆										?							
24C ₁₆										?							
24D ₁₆										?							
24E ₁₆	DA2-H register (DA2H)									?							
24F ₁₆	DA2-L register (DA2L)									0	0	?	?	?	?	?	?

M37225M6-XXXSP, M37225M8-XXXSP M37225ECSP

SINGLE-CHIP 8-BIT CMOS MICROCOMPUTER for VOLTAGE SYNTHESIZER
with ON-SCREEN DISPLAY CONTROLLER

Internal State of Processor Status Register and Program Counter at Reset



M37225M6-XXXSP, M37225M8-XXXSP M37225ECSP

SINGLE-CHIP 8-BIT CMOS MICROCOMPUTER for VOLTAGE SYNTHESIZER
with ON-SCREEN DISPLAY CONTROLLER

Structure of Register

The figure of each register structure describes its functions, contents at reset, and attributes as follows:

<Example>

CPU Mode Register

b7 b6 b5 b4 b3 b2 b1 b0

		1	1	0	0	0	0

CPU mode register (CPUM) (CM) [Address 00FB16]

B	Name	Functions	After re	R/W
0, 1	Processor mode bits (CM0, CM1)	b1 b0 0 0: Single-chip mode 0 1: } 1 0: } Not available 1 1: }	0	R/W
2	Stack page selection bit (See note) (CM2)	0: 0 page 1: 1 page	1	R/W
3, 4	Fix these bits to "1."		1	R/W
5	Nothing is assigned. This bit is write disable bit. When this bit is read out, the value is "1."		1	R/W
6, 7	Clock switch bits (CM6, CM7)	b7 b6 0 0: f(XIN) = 8 MHz 0 1: f(XIN) = 12 MHz 1 0: f(XIN) = 16 MHz 1 1: Do not set	0	R/W

■ : Bit in which nothing is assigned

Notes 1: Values immediately after reset release
 0 "0" after reset release
 1 "1" after reset release
 Indeterminate... Indeterminate after reset release

2: Bit attributes..... The attributes of control register bits are classified into 3 types : read-only, write-only and read and write. In the figure, these attributes are represented as follows :

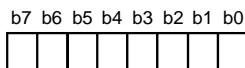
R.....Read R.....Read enabled -.....Read disabled	W.....Write W.....Write enabled -.....Write disabled *....."0" can be set by software, but "1" cannot be set.
---	--

M37225M6-XXXSP, M37225M8-XXXSP M37225ECSP

SINGLE-CHIP 8-BIT CMOS MICROCOMPUTER for VOLTAGE SYNTHESIZER
with ON-SCREEN DISPLAY CONTROLLER

Addresses 00C1₁₆, 00C3₁₆, 00C5₁₆

Port Pi Direction Register

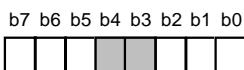


Port Pi direction register (Di) (i=0,1,2) [Addresses 00C1₁₆, 00C3₁₆, 00C5₁₆]

B	Name	Functions	After reset	R	W
0	Port Pi direction register	0 : Port Pi ₀ input mode 1 : Port Pi ₀ output mode	0	R	W
1		0 : Port Pi ₁ input mode 1 : Port Pi ₁ output mode	0	R	W
2		0 : Port Pi ₂ input mode 1 : Port Pi ₂ output mode	0	R	W
3		0 : Port Pi ₃ input mode 1 : Port Pi ₃ output mode	0	R	W
4		0 : Port Pi ₄ input mode 1 : Port Pi ₄ output mode	0	R	W
5		0 : Port Pi ₅ input mode 1 : Port Pi ₅ output mode	0	R	W
6		0 : Port Pi ₆ input mode 1 : Port Pi ₆ output mode	0	R	W
7		0 : Port Pi ₇ input mode 1 : Port Pi ₇ output mode	0	R	W

Address 00C7₁₆

Port P3 Direction Register



Port P3 direction register (D3) [Address 00C7₁₆]

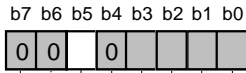
B	Name	Functions	After reset	R	W
0	Port P3 direction register	0 : Port P3 ₀ input mode 1 : Port P3 ₀ output mode	0	R	W
1		0 : Port P3 ₁ input mode 1 : Port P3 ₁ output mode	0	R	W
2		0 : Port P3 ₂ input mode 1 : Port P3 ₂ output mode	0	R	W
3, 4	Nothing is assigned. These bits are write disable bits. When these bits are read out, the values are indeterminate.		indeterminate	R	—
5	Port P3 direction register	0 : Port P3 ₅ input mode 1 : Port P3 ₅ output mode	0	R	W
6	Port P3 ₀ output mode selection bit (P30S)	0 : CMOS output 1 : N-channel open-drain output	0	R	W
7	Port P3 ₁ output mode selection bit (P31S)	0 : CMOS output 1 : N-channel open-drain output	0	R	W

**M37225M6-XXXSP, M37225M8-XXXSP
M37225ECSP**

SINGLE-CHIP 8-BIT CMOS MICROCOMPUTER for VOLTAGE SYNTHESIZER
with ON-SCREEN DISPLAY CONTROLLER

Address 00C9₁₆

Port P3₅ Output Mode Control Register

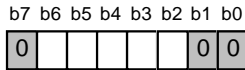


Port P3₅ output mode control register (P3S) [Address 00C9₁₆]

B	Name	Functions	After reset	R W
0 to 3	Nothing is assigned. These bits are write disable bits. When these bits are read out, the values are indeterminate.		Indeterminate	R —
4	Fix this bit to "0"		0	R W
5	Port P3 ₅ output mode selection bit (P35S)	0 : CMOS output 1 : N-channel open-drain output	0	R W
6, 7	Fix these bits to "0"		0	R W

Address 00CB₁₆

OSD Port Control Register



OSD port control register (PF) [Address 00CB₁₆]

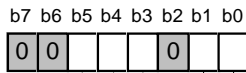
b	Name	Functions	After reset	R W
0, 1	Fix these bits to "0"		0	R W
2	Port P5 ₂ output signal selection bit (P52SEL)	0 : R signal output 1 : Port P5 ₂ output	0	R W
3	Port P5 ₃ output signal selection bit (P53SEL)	0 : G signal output 1 : Port P5 ₃ output	0	R W
4	Port P5 ₄ output signal selection bit (P54SEL)	0 : B signal output 1 : Port P5 ₄ output	0	R W
5	Port P5 ₅ output signal selection bit (P55SEL)	0 : OUT1 signal output 1 : Port P5 ₅ output	0	R W
6	Port P1 ₀ output signal selection bit (OUT2SEL)	0 : Port P1 ₀ signal output 1 : OUT2 output	0	R W
7	Fix this bit to "0"		0	R W

**M37225M6-XXXSP, M37225M8-XXXSP
M37225ECSP**

SINGLE-CHIP 8-BIT CMOS MICROCOMPUTER for VOLTAGE SYNTHESIZER
with ON-SCREEN DISPLAY CONTROLLER

Address 00CD₁₆

Interrupt Input Polarity Register



Interrupt input polarity register (IP) [Address 00CD₁₆]

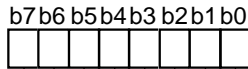
b	Name	Function	After reset	R	W	
0, 1	OSD clock selection bits (OCG0, OCG1)	b1 b0		0	R	W
		Function				
		0 0	The clock for OSD is supplied by connecting RC or LC across the pins OSC1 and OSC2. However, it is not corresponding to the bi-scan mode.			
		0 1	Since the main clock is used as the clock for OSD, the oscillation frequency is limited. Because of this, the character size in width (horizontal) direction is also limited. In this case, pins OSC1 and OSC2 are also used as input ports P3 ₃ and P3 ₄ respectively. OSD oscillation frequency = $f(X_{IN})$			
1 0	The clock for OSD is supplied by connecting LC across the pins OSC1 and OSC2. In the bi-scan mode, be sure to set this.					
1 1	The clock for OSD is supplied by connecting the following across the pins OSC1 and OSC2. However, it is not corresponding to the bi-scan mode. • a ceramic resonator only for OSD and a feedback resistor • a quartz-crystal oscillator only for OSD and a feedback resistor					
2	Fix this bit to "0."		0	R	W	
3	INT1 polarity switch bit (POL1)	0 : Positive polarity 1 : Negative polarity	0	R	W	
4	INT2 polarity switch bit (POL2)	0 : Positive polarity 1 : Negative polarity	0	R	W	
5	INT3 polarity switch bit (POL3)	0 : Positive polarity 1 : Negative polarity	0	R	W	
6, 7	Fix these bits to "0."		0	R	W	

**M37225M6-XXXSP, M37225M8-XXXSP
M37225ECSP**

SINGLE-CHIP 8-BIT CMOS MICROCOMPUTER for VOLTAGE SYNTHESIZER
with ON-SCREEN DISPLAY CONTROLLER

Address 00D5₁₆

PWM Output Control Register 1

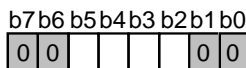


PWM output control register 1 (PW) [Address 00D5₁₆]

B	Name	Functions	After reset	R	W
0	DA1, DA2, PWM count source selection bit (PW0)	0 : Count source supply 1 : Count source stop	0	R	W
1	DA1 output/P35 selection bit (PW1)	0 : DA1 output 1 : P35 output	0	R	W
2	P0 ₀ /PWM0 output selection bit (PW2)	0: P0 ₀ output 1: PWM0 output	0	R	W
3	P0 ₁ /PWM1 output selection bit (PW3)	0: P0 ₁ output 1: PWM1 output	0	R	W
4	P0 ₂ /PWM2 output selection bit (PW4)	0: P0 ₂ output 1: PWM2 output	0	R	W
5	P0 ₃ /PWM3 output selection bit (PW5)	0: P0 ₃ output 1: PWM3 output	0	R	W
6	P0 ₄ /PWM4 output selection bit (PW6)	0: P0 ₄ output 1: PWM4 output	0	R	W
7	P0 ₅ /PWM5 output selection bit (PW7)	0: P0 ₅ output 1: PWM5 output	0	R	W

Address 00D6₁₆

PWM Output Control Register 2



PWM output control register 2 (PN) [Address 00D6₁₆]

B	Name	Functions	After reset	R	W
0, 1	Fix these bits to "0."		0	R	W
2	DA1 output polarity selection bit (PN3)	0 : Positive polarity 1 : Negative polarity	0	R	W
3	PWM output polarity selection bit (PN4)	0 : Positive polarity 1 : Negative polarity	0	R	W
4	DA2 output polarity selection bit (PN5)	0 : Output LOW 1 : Output HIGH	0	R	W
5	P17/DA2 output selection bit (PN5)	0 : P17 1 : DA2	0	R	W
6, 7	Fix these bits to "0."		0	R	W

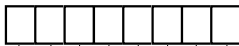
M37225M6-XXXSP, M37225M8-XXXSP M37225ECSP

SINGLE-CHIP 8-BIT CMOS MICROCOMPUTER for VOLTAGE SYNTHESIZER
with ON-SCREEN DISPLAY CONTROLLER

Address 00D7₁₆

I²C Data Shift Register

b7 b6 b5 b4 b3 b2 b1 b0



I²C data shift register (S0) [Address 00D7₁₆]

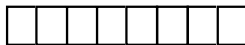
B	Name	Functions	After reset	R	W
0 to 7	D0 to D7	This is an 8-bit shift register to store receive data and write transmit data.	Indeterminate	R	W

Note: To write data into the I²C data shift register after setting the MST bit to "0" (slave mode), keep an interval of 8 machine cycles or more.

Address 00D8₁₆

I²C Address Register

b7 b6 b5 b4 b3 b2 b1 b0



I²C address register (S0D) [Address 00D8₁₆]

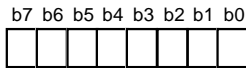
B	Name	Functions	After reset	R	W
0	Read/write bit (RBW)	<Only in 10-bit addressing (in slave) mode> The last significant bit of address data is compared. 0: Wait the first byte of slave address after START condition (read state) 1: Wait the first byte of slave address after RESTART condition (write state)	0	R	
1 to 7	Slave address (SAD0 to SAD6)	<In both modes> The address data is compared.	0	R	W

**M37225M6-XXXSP, M37225M8-XXXSP
M37225ECSP**

SINGLE-CHIP 8-BIT CMOS MICROCOMPUTER for VOLTAGE SYNTHESIZER
with ON-SCREEN DISPLAY CONTROLLER

Address 00D9₁₆

I²C Status Register



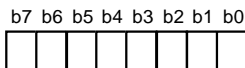
I²C status register (S1) [Address 00D9₁₆]

B	Name	Functions	After reset	R	W
0	Last receive bit (LRB) (See note)	0 : Last bit = "0" 1 : Last bit = "1" (See note)	Indeterminate	R	—
1	General call detecting flag (AD0) (See note)	0 : No general call detected 1 : General call detected (See note)	0	R	—
2	Slave address comparison flag (AAS) (See note)	0 : Address mismatch 1 : Address match (See note)	0	R	—
3	Arbitration lost detecting flag (AL) (See note)	0 : Not detected 1 : Detected (See note)	0	R	—
4	I ² C-BUS interface interrupt request bit (PIN)	0 : Interrupt request issued 1 : No interrupt request issued	1	R	W
5	Bus busy flag (BB)	0 : Bus free 1 : Bus busy	0	R	W
6, 7	Communication mode specification bits (TRX, MST)	b7 b6 0 0 : Slave receive mode 0 1 : Slave transmit mode 1 0 : Master receive mode 1 1 : Master transmit mode	0	R	W

Note : These bits and flags can be read out, but cannot be written.

Address 00DA₁₆

I²C Control Register



I²C control register (S1D) [Address 00DA₁₆]

B	Name	Functions	After reset	R	W
0 to 2	Bit counter (Number of transmit/receive bits) (BC0 to BC2)	b2 b1 b0 0 0 0: 8 0 0 1: 7 0 1 0: 6 0 1 1: 5 1 0 0: 4 1 0 1: 3 1 1 0: 2 1 1 1: 1	0	R	W
3	I ² C-BUS interface use enable bit (ESO)	0: Disabled 1: Enabled	0	R	W
4	Data format selection bit(ALS)	0: Addressing format 1: Free data format	0	R	W
5	Addressing format selection bit (10BIT SAD)	0: 7-bit addressing format 1: 10-bit addressing format	0	R	W
6, 7	Connection control bits between I ² C-BUS interface and ports (BSEL0, BSEL1)	b7 b6 Connection port (See note) 0 0: None 0 1: SCL1, SDA1 1 0: SCL2, SDA2 1 1: SCL1, SDA1, SCL2, SDA2	0	R	W

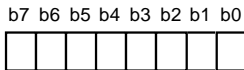
Note: When using ports P11-P14 as I²C-BUS interface, the output structure changes automatically from CMOS output to N-channel open-drain output.

M37225M6-XXXSP, M37225M8-XXXSP M37225ECSP

SINGLE-CHIP 8-BIT CMOS MICROCOMPUTER for VOLTAGE SYNTHESIZER
with ON-SCREEN DISPLAY CONTROLLER

Address 00DB₁₆

I²C Clock Control Register



I²C clock control register (S2) [Address 00DB₁₆]

B	Name	Functions	After reset	R	W		
0 to 4	SCL frequency control bits (CCR0 to CCR4)	Setup value of CCR4-CCR0	Standard clock mode	0	R	W	
		00 to 02	Setup disabled				Setup disabled
		03	Setup disabled				333
		04	Setup disabled				250
		05	100				400 (See note)
		06	83.3				166
		:	500/CCR value				1000/CCR value
		1D	17.2				34.5
		1E	16.6				33.3
		1F	16.1				32.3
		(at $\phi = 4$ MHz, unit : kHz)					
5	SCL mode specification bit (FAST MODE)	0: Standard clock mode 1: High-speed clock mode	0	R	W		
6	ACK bit (ACK BIT)	0: ACK is returned. 1: ACK is not returned.	0	R	W		
7	ACK clock bit (ACK)	0: No ACK clock 1: ACK clock	0	R	W		

Note: At 400 kHz in the high-speed clock mode, the duty is as below .
 "0" period : "1" period = 3 : 2
 In the other cases, the duty is as below.
 "0" period : "1" period = 1 : 1

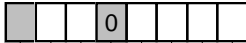
M37225M6-XXXSP, M37225M8-XXXSP M37225ECSP

SINGLE-CHIP 8-BIT CMOS MICROCOMPUTER for VOLTAGE SYNTHESIZER
with ON-SCREEN DISPLAY CONTROLLER

Address 00DC₁₆

Serial I/O Mode Register

b7 b6 b5 b4 b3 b2 b1 b0



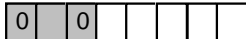
Serial I/O mode register (SM) [Address 00DC₁₆]

B	Name	Functions	After reset	R	W
0, 1	Internal synchronous clock selection bits (SM0, SM1)	b1 b0 0 0: f(X _{IN})/4 0 1: f(X _{IN})/16 1 0: f(X _{IN})/32 1 1: f(X _{IN})/64	0	R	W
2	Synchronous clock selection bit (SM2)	0: External clock 1: Internal clock	0	R	W
3	Serial I/O port selection bit (SM3)	0: P20, P21 1: SCLK, SOUT	0	R	W
4	Fix this bit to "0."		0	R	W
5	Transfer direction selection bit (SM5)	0: LSB first 1: MSB first	0	R	W
6	Serial input pin selection bit (SM6)	0: Input signal from S _{IN} pin. 1: Input signal from S _{OUT} pin.	0	R	W
7	Nothing is assigned. This bit is a write disable bit. When this bit is read out, the value is "0."		0	R	—

Address 00DF₁₆

A-D Control Register

b7 b6 b5 b4 b3 b2 b1 b0



A-D control register (ADCON) [Address 00DF₁₆]

B	Name	Functions	After reset	R	W
0 to 2	Analog input pin selection bits (ADIN0 to ADIN2)	b2 b1 b0 0 0 0: A-D1 0 0 1: A-D2 0 1 0: A-D3 0 1 1: A-D4 1 0 0: A-D5 1 0 1: A-D6 1 1 0: A-D7 1 1 1: A-D8	0	R	W
3	A-D conversion completion bit (ADSTR)	0: Conversion in progress 1: Conversion completed	1	R	W
4	Vcc connection selection bit (ADVREF)	0: OFF 1: ON	0	R	W
5	Fix this bit to "0."		0	R	W
6	Nothing is assigned. This bit is a write disable bit. When this bit is read out, the value is indeterminate.		Indeterminate	R	—
7	Fix this bit to "0."		0	R	W

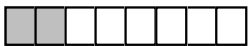
M37225M6-XXXSP, M37225M8-XXXSP M37225ECSP

SINGLE-CHIP 8-BIT CMOS MICROCOMPUTER for VOLTAGE SYNTHESIZER
with ON-SCREEN DISPLAY CONTROLLER

Address 00E0₁₆

Block H Register

b7 b6 b5 b4 b3 b2 b1 b0



Horizontal position register (HP) [Address 00E0₁₆]

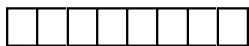
B	Name	Functions	After reset	R	W
0 to 5	Control bits of horizontal display start positions (BHP0 to BHP5) (See note 1)	Horizontal display start positions = $T_{def1} + 4T_{osc} \times n$ (n: setting value, T_{def1} : 31T _{OSC} , T _{osc} : OSD oscillation cycle)	0	R	W
6, 7	Nothing is assigned. These bits are write disable bits. When these bits are read out, the values are "0."		0	R	—

Note: The setting value synchronizes with the V_{SYNC}.

Addresses 00E1₁₆ and 00E2₁₆

Block i V Register

b7 b6 b5 b4 b3 b2 b1 b0



Block i V register (BiVP) (i = 1, 2) [Addresses 00E1₁₆ and 00E2₁₆]

B	Name	Functions	After reset	R	W
0 to 7	Control bits of vertical display start positions (BiVP0 to BiVP7) (See note 1)	Vertical display start positions = $H_{def} + H \times n$ (n: setting value, H_{def} : 17H, H: H _{SYNC})	Indeterminate	R	W

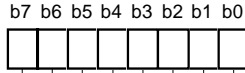
Note: Set values except "0016" to BiVP.

M37225M6-XXXSP, M37225M8-XXXSP M37225ECSP

SINGLE-CHIP 8-BIT CMOS MICROCOMPUTER for VOLTAGE SYNTHESIZER
with ON-SCREEN DISPLAY CONTROLLER

Address 00E3₁₆

SPRITE Control Register



SPRITE control register (SC) [Address 00E3₁₆]

B	Name	Functions	After reset	R	W																								
0, 1	SPRITE font 1 color register specification bit (SC0, SC1)	SC1 @SC0 0 0: Color register 1 0 1: Color register 2 1 0: Color register 3 1 1: Color register 4	0	R	W																								
2, 3	SPRITE font 2 color register specification bit (SC2, SC3)	SC3 @SC2 0 0: Color register 1 0 1: Color register 2 1 0: Color register 3 1 1: Color register 4	0	R	W																								
4, 5	SPRITE font selection bit (SC4, SC5)	<table border="1"> <thead> <tr> <th>SC5</th> <th>SC4</th> <th colspan="2">Character code</th> </tr> <tr> <th></th> <th></th> <th>SPRITE1</th> <th>SPRITE2</th> </tr> </thead> <tbody> <tr> <td>0</td> <td>0</td> <td>F8₁₆</td> <td>F9₁₆</td> </tr> <tr> <td>0</td> <td>1</td> <td>FA₁₆</td> <td>FB₁₆</td> </tr> <tr> <td>1</td> <td>0</td> <td>FC₁₆</td> <td>FD₁₆</td> </tr> <tr> <td>1</td> <td>1</td> <td>FE₁₆</td> <td>FF₁₆</td> </tr> </tbody> </table>	SC5	SC4	Character code				SPRITE1	SPRITE2	0	0	F8 ₁₆	F9 ₁₆	0	1	FA ₁₆	FB ₁₆	1	0	FC ₁₆	FD ₁₆	1	1	FE ₁₆	FF ₁₆	0	R	W
SC5	SC4	Character code																											
		SPRITE1	SPRITE2																										
0	0	F8 ₁₆	F9 ₁₆																										
0	1	FA ₁₆	FB ₁₆																										
1	0	FC ₁₆	FD ₁₆																										
1	1	FE ₁₆	FF ₁₆																										
6, 7	SPRITE/raster patterning control bit (SC6, SC7) (See note)	SC7 @SC6 0 0: Display OFF 0 1: Do not set 1 0: SPRITE display 1 1: Raster patterning display	0	R	W																								

Note : This bit is valid when bit 0 of the OSD control register to "1."

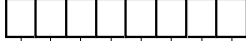
**M37225M6-XXXSP, M37225M8-XXXSP
M37225ECSP**

SINGLE-CHIP 8-BIT CMOS MICROCOMPUTER for VOLTAGE SYNTHESIZER
with ON-SCREEN DISPLAY CONTROLLER

Address 00E4₁₆

SPRITE H Register

b7 b6 b5 b4 b3 b2 b1 b0



SPRITE H register (SHP) [Address 00E4₁₆]

B	Name	Functions	After reset	R;W
0 to 7	Horizontal display start position control bits of SPRITE OSD (SHP0 to SHP7)	Horizontal display start position = $T_{def2} + 2T_{osc} \times n$ (n: setting value, T_{def2} : 2TOSC, T_{osc} : OSD oscillation cycle)	0	R;W

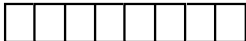
Notes 1: Set values except "001₆" to "021₆" to SHP.

2: When selecting raster patterning display, setting value is synchronized with VSYNC signal; when selecting SPRITE display, it is not synchronized.

Address 00E5₁₆

SPRITE V Register

b7 b6 b5 b4 b3 b2 b1 b0



SPRITE V register (SVP) [Address 00E5₁₆]

B	Name	Functions	After reset	R;W
0 to 7	Horizontal display start position control bits of SPRITE OSD (SVP0 to SVP7) (See note 1)	Horizontal display start position = $H_{def} + H \times n$ (n: setting value, H_{def} : 17H, H: HSYNC)	Indeterminate	R;W

Note: Set values except "001₆" to the SVP.

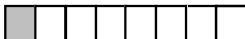
M37225M6-XXXSP, M37225M8-XXXSP M37225ECSP

SINGLE-CHIP 8-BIT CMOS MICROCOMPUTER for VOLTAGE SYNTHESIZER
with ON-SCREEN DISPLAY CONTROLLER

Addresses 00E6₁₆ to 00E9₁₆ and 00EC₁₆ to 00EF₁₆

Color Register i

b7 b6 b5 b4 b3 b2 b1 b0



Color register i (CO₁ to CO₈) (i=1 to 8) [Addresses 00E6₁₆ to 00E9₁₆, 00EC₁₆ to 00EF₁₆]

B	Name @	Functions	After reset	R	W
0	R signal output selection bit (CO _{i0})	0: No output 1: Output	Indeterminate	R	W
1	G signal output selection bit (CO _{i1})	0: No output 1: Output	Indeterminate	R	W
2	B signal output selection bit (CO _{i2})	0: No output 1: Output	Indeterminate	R	W
3	R signal output (background) selection bit (CO _{i3})	0: No output 1: Output	Indeterminate	R	W
4	G signal output (background) selection bit (CO _{i4})	0: No output 1: Output	Indeterminate	R	W
5	B signal output (background) selection bit (CO _{i5})	0: No output 1: Output	Indeterminate	R	W
6	OUT1 output control bit (CO _{i6})	0: Character output 1: Blank output	Indeterminate	R	W
7	Nothing is assigned. This bit is a write disable bit. When this bit is read out, the value is "0."		0	R	—

M37225M6-XXXSP, M37225M8-XXXSP M37225ECSP

SINGLE-CHIP 8-BIT CMOS MICROCOMPUTER for VOLTAGE SYNTHESIZER
with ON-SCREEN DISPLAY CONTROLLER

Address 00EA16

OSD Control Register

b7 b6 b5 b4 b3 b2 b1 b0



OSD control register (OC) [Address 00EA16]

B	Name	Functions	After reset	R;W
0	OSD control bit (OC0) (See note 1)	0 : All-blocks display OFF 1 : All-blocks display ON	0	R;W
1	Border type selection bit (OC1)	0 : All bordered 1 : Shadow bordered (See note 2)	0	R;W
2, 3	Window horizontal position minute adjustment bit (OC2, OC3)	b3 b2 (See notes 3 and 4) 0 0 : Standard 0 1 : Standard + 1Tosc 1 0 : Standard + 2Tosc 1 1 : Standard + 3Tosc	0	R;W
4	Window control bit (OC4)	0 : Window OFF 1 : Window ON	0	R;W
5	Scan mode selection bit (OC5)	0 : Normal scan mode 1 : Bi-scan mode (See note 5)	0	R;W
6	Raster color OUT1 control bit (OC6)	0 : No output 1 : Output	0	R;W
7	Raster color OUT2 control bit (OC7)	0 : No output 1 : Output	0	R;W

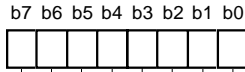
- Notes**
- 1 : Even this bit is switched during display, the display screen remains unchanged until a rising (falling) of the next VSYNC.
 - 2 : Shadow border is output at right and bottom side of the font.
 - 3 : Tosc = OSD oscillation cycle
 - 4 : These bits are valid for both left border and right border (for detail, refer to "(8) Window Function.")
 - 5 : When setting to bi-scan mode, connect LC between pins OSC1 and OSC2.

**M37225M6-XXXSP, M37225M8-XXXSP
M37225ECSP**

SINGLE-CHIP 8-BIT CMOS MICROCOMPUTER for VOLTAGE SYNTHESIZER
with ON-SCREEN DISPLAY CONTROLLER

Address 00EB₁₆

OSD I/O Polarity Register



OSD I/O polarity register (OPC) [Address 00EB₁₆]

B	Name	Functions	After re	R	W
0	Hsync input polarity switch bit (OPC0)	0 : Positive polarity input 1 : Negative polarity input	0	R	W
1	Vsync input polarity switch bit (OPC1)	0 : Positive polarity input 1 : Negative polarity input	0	R	W
2	R/G/B output polarity switch bit (OPC2)	0 : Positive polarity output 1 : Negative polarity output	0	R	W
3	OUT1 output polarity switch bit (OPC3)	0 : Positive polarity output 1 : Negative polarity output	0	R	W
4	OUT2 output polarity switch bit (OPC4)	0 : Positive polarity output 1 : Negative polarity output	0	R	W
5	Raster color R control bit (OPC5)	0 : No output 1 : Output	0	R	W
6	Raster color G control bit (OPC6)	0 : No output 1 : Output	0	R	W
7	Raster color B control bit (OPC7)	0 : No output 1 : Output	0	R	W

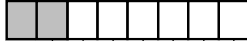
**M37225M6-XXXSP, M37225M8-XXXSP
M37225ECSP**

SINGLE-CHIP 8-BIT CMOS MICROCOMPUTER for VOLTAGE SYNTHESIZER
with ON-SCREEN DISPLAY CONTROLLER

Address 00F4₁₆

Timer Mode Register 1

b7 b6 b5 b4 b3 b2 b1 b0



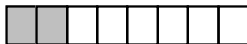
Timer mode register 1 (TM1) [Address 00F4₁₆]

B	Name	Functions	After reset	R	W
0	Timer 1 count source selection bit 1 (TM10)	0: f(X _{IN})/16 1: f(X _{IN})/4096	0	R	W
1	Timer 2 count source selection bit 1 (TM11)	0: Interrupt clock source 1: External clock from TIM2 pin	0	R	W
2	Timer 1 count stop bit (TM12)	0: Count start 1: Count stop	0	R	W
3	Timer 2 count stop bit (TM13)	0: Count start 1: Count stop	0	R	W
4	Timer 2 internal count source selection bit 2 (TM14)	0: f(X _{IN})/16 1: Timer 1 overflow	0	R	W
5	<At execution of STP instruction> Timers 3 and 4 auto set disable bit (TM15)	0: Auto set enabled 1: Auto set disabled	0	R	W
6, 7	Nothing is assigned. These bits are write disable bits. When these bits are read out, the values are "0."		0	R	—

Address 00F5₁₆

Timer Mode Register 2

b7 b6 b5 b4 b3 b2 b1 b0



Timer mode register 2 (TM2) [Address 00F5₁₆]

B	Name	Functions	After reset	R	W
0	Timer 3 count source selection bit (TM20)	0 : f(X _{IN})/16 1 : External clock source	0	R	W
1	Timer 4 internal interrupt count source selection bit (TM21)	0 : Timer 3 overflow signal 1 : f(X _{IN})/16	0	R	W
2	Timer 3 count stop bit (TM22)	0: Count start 1: Count stop	0	R	W
3	Timer 4 count stop bit (TM23)	0: Count start 1: Count stop	0	R	W
4	Timer 4 count source selection bit (TM24)	0: Internal clock source 1: f(X _{IN})/2	0	R	W
5	Timer 3 external count source selection bit (TM25)	0: TIM3 pin input 1: Hsync pin input	0	R	W
6, 7	Nothing is assigned. These bits are write disable bits. When these bits are read out, the values are "0."		0	R	—

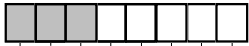
M37225M6-XXXSP, M37225M8-XXXSP M37225ECSP

SINGLE-CHIP 8-BIT CMOS MICROCOMPUTER for VOLTAGE SYNTHESIZER
with ON-SCREEN DISPLAY CONTROLLER

Addresses 00F9₁₆ and 00FA₁₆

Block i Control Register

b7 b6 b5 b4 b3 b2 b1 b0



Block i control register (BiC) (i = 1, 2) [Addresses 00F9₁₆, 00FA₁₆]

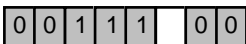
B	Name	Functions	After reset	R;W	
0 to 2	Display mode selection bits (BiC0 to BiC2)	b2 b1 b0	Indeterminate	R;W	
		X 0 0			Display OFF
		0 0 1			OSD mode (no border)
		0 1 0			BUTTON mode (no border)
		1 0 1			OSD mode (border)
1 1 0	BUTTON mode (border)				
3, 4	Dot size selection bit (BiC3, BiC4)	b4 b3	Indeterminate	R;W	
		0 0			1Tosc X 1H
		0 1			Do not set
		1 0			2Tosc X 2H
1 1	3Tosc X 3H				
5 to 7	Nothing is assigned. These bits are write disable bits. When these bits are read out, the values are "0."		0	R;—	

Notes 1 : TOSC = OSD oscillation cycle
2 : H = HSYNC

Address 00FB₁₆

CPU Mode Register

b7 b6 b5 b4 b3 b2 b1 b0



CPU mode register (CM) [Address 00FB₁₆]

B	Name	Functions	After reset	R;W
0, 1	Processor mode bits (CM0, CM1)	b1 b0 0 0: Single-chip mode 0 1: } 1 0: } Not available 1 1: }	0	R;W
2	Stack page selection bit (CM2) (See note)	0: 0 page 1: 1 page	1	R;W
3 to 5	Fix these bits to "1."		1	R;W
6, 7	Fix these bits to "0."		0	R;W

Note: This bit is set to "1" after the reset release.

**M37225M6-XXXSP, M37225M8-XXXSP
M37225ECSP**

SINGLE-CHIP 8-BIT CMOS MICROCOMPUTER for VOLTAGE SYNTHESIZER
with ON-SCREEN DISPLAY CONTROLLER

Address 00FC₁₆

Interrupt Request Register 1

b7 b6 b5 b4 b3 b2 b1 b0



Interrupt request register 1 (IREQ1) [Address 00FC₁₆]

B	Name	Functions	After reset	R	W
0	Timer 1 interrupt request bit (TM1R)	0 : No interrupt request issued 1 : Interrupt request issued	0	R	*
1	Timer 2 interrupt request bit (TM2R)	0 : No interrupt request issued 1 : Interrupt request issued	0	R	*
2	Timer 3 interrupt request bit (TM3R)	0 : No interrupt request issued 1 : Interrupt request issued	0	R	*
3	Timer 4 interrupt request bit (TM4R)	0 : No interrupt request issued 1 : Interrupt request issued	0	R	*
4	OSD interrupt request bit (OSDR)	0 : No interrupt request issued 1 : Interrupt request issued	0	R	*
5	VSYNC interrupt request bit (VSCR)	0 : No interrupt request issued 1 : Interrupt request issued	0	R	*
6	Multi-master I ² C-BUS interface interrupt request bit (ICR)	0 : No interrupt request issued 1 : Interrupt request issued	0	R	*
7	INT3 external interrupt request bit (IT3R)	0 : No interrupt request issued 1 : Interrupt request issued	0	R	*

*: "0" can be set by software, but "1" cannot be set.

Address 00FD₁₆

Interrupt Request Register 2

b7 b6 b5 b4 b3 b2 b1 b0



Interrupt request register 2 (IREQ2) [Address 00FD₁₆]

B	Name	Functions	After reset	R	W
0	INT1 external interrupt request bit (IT1R)	0 : No interrupt request issued 1 : Interrupt request issued	0	R	*
1	INT2 external interrupt request bit (IT2R)	0 : No interrupt request issued 1 : Interrupt request issued	0	R	*
2	Serial I/O interrupt request bit (S1R)	0 : No interrupt request issued 1 : Interrupt request issued	0	R	*
3	SPRITE OSD interrupt request bit (SPR)	0 : No interrupt request issued 1 : Interrupt request issued	0	R	*
4	f(XIN)/4096 interrupt request bit (MSR)	0 : No interrupt request issued 1 : Interrupt request issued	0	R	*
5	Nothing is assigned. This bit is a write disable bit. When this bit is read out, the value is "0."		0	R	—
6	A-D conversion interrupt request bit (ADR)	0 : No interrupt request issued 1 : Interrupt request issued	0	R	*
7	Fix this bit to "0."		0	R	W

*: "0" can be set by software, but "1" cannot be set.

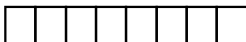
**M37225M6-XXXSP, M37225M8-XXXSP
M37225ECSP**

SINGLE-CHIP 8-BIT CMOS MICROCOMPUTER for VOLTAGE SYNTHESIZER
with ON-SCREEN DISPLAY CONTROLLER

Addresses 00FE₁₆

Interrupt Control Register 1

b7 b6 b5 b4 b3 b2 b1 b0



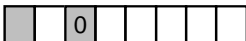
Interrupt control register 1 (ICON1) [Address 00FE₁₆]

B	Name	Functions	After reset	R	W
0	Timer 1 interrupt enable bit (TM1E)	0 : Interrupt disabled 1 : Interrupt enabled	0	R	W
1	Timer 2 interrupt enable bit (TM2E)	0 : Interrupt disabled 1 : Interrupt enabled	0	R	W
2	Timer 3 interrupt enable bit (TM3E)	0 : Interrupt disabled 1 : Interrupt enabled	0	R	W
3	Timer 4 interrupt enable bit (TM4E)	0 : Interrupt disabled 1 : Interrupt enabled	0	R	W
4	OSD interrupt enable bit (OSDE)	0 : Interrupt disabled 1 : Interrupt enabled	0	R	W
5	Vsync interrupt enable bit (VSCE)	0 : Interrupt disabled 1 : Interrupt enabled	0	R	W
6	Multi-master I ² C-BUS interface interrupt enable bit (IICE)	0 : Interrupt disabled 1 : Interrupt enabled	0	R	W
7	INT3 external interrupt enable bit (IT3E)	0 : Interrupt disabled 1 : Interrupt enabled	0	R	W

Address 00FF₁₆

Interrupt Control Register 2

b7 b6 b5 b4 b3 b2 b1 b0



Interrupt control register 2 (ICON2) [Address 00FF₁₆]

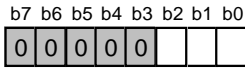
B	Name	Functions	After reset	R	W
0	INT1 external interrupt enable bit (IT1E)	0 : Interrupt disabled 1 : Interrupt enabled	0	R	W
1	INT2 external interrupt enable bit (IT2E)	0 : Interrupt disabled 1 : Interrupt enabled	0	R	W
2	Serial I/O interrupt enable bit (S1E)	0 : Interrupt disabled 1 : Interrupt enabled	0	R	W
3	SPRITE OSD interrupt enable bit (SPE)	0 : Interrupt disabled 1 : Interrupt enabled	0	R	W
4	f(XIN)/4096 interrupt enable bit (MSE)	0 : Interrupt disabled 1 : Interrupt enabled	0	R	W
5	Fix this bit to "0."		0	R	W
6	A-D conversion interrupt enable bit (ADE)	0 : Interrupt disabled 1 : Interrupt enabled	0	R	W
7	Nothing is assigned. This bit is a write disable bit. When this bit is read out, the value is "0."		0	R	—

M37225M6-XXXSP, M37225M8-XXXSP M37225ECSP

SINGLE-CHIP 8-BIT CMOS MICROCOMPUTER for VOLTAGE SYNTHESIZER
with ON-SCREEN DISPLAY CONTROLLER

Address 021B₁₆

ROM Correction Enable Register

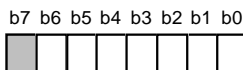


ROM correction enable register (RCR) [Address 021B₁₆]

B	Name	Functions	After reset	R	W
0	Vector 1 enable bit (RCR0)	0: Disabled 1: Enabled	0	R	W
1	Vector 2 enable bit (RCR1)	0: Disabled 1: Enabled	0	R	W
2	Vector 3 enable bit (RCR2)	0: Disabled 1: Enabled	0	R	W
3 to 7	Fix these bits to "0."		0	R	W

Address 0240₁₆

Left Border Control Register



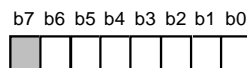
Left border control register (LBR) [Address 0240₁₆]

B	Name	Functions	After reset	R	W
0 to 6	Control bits of left border (LBR0 to LBR6)	Left border position = $T_{def4} + 4T_{osc} \times n + 1T_{osc} \times W_H$ (n: setting value, T_{def4} : 4T _{osc} , T _{osc} : OSD oscillation cycle, W _H : value (0 to 3) of window horizontal position minute adjustment bit)	0	R	W
7	Nothing is assigned. This bit is write disable bit. When this bit is read out, the value is indeterminate.		0	R	—

Note: Set values fit for $LBR \leq RBR$.

Address 0241₁₆

Right Border Control Register



Right border control register (RBR) [Address 0241₁₆]

B	Name	Functions	After reset	R	W
0 to 6	Control bits of left border (RBR0 to RBR6)	Right border position = $T_{def4} + 4T_{osc} \times n + 1T_{osc} \times W_H$ (n: setting value, T_{def4} : 4T _{osc} , T _{osc} : OSD oscillation cycle, W _H : value (0 to 3) of window horizontal position minute adjustment bit)	0	R	W
7	Nothing is assigned. This bit is write disable bit. When this bit is read out, the value is indeterminate.		0	R	—

Note: Set values fit for $LBR \leq RBR$.

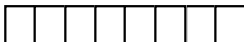
M37225M6-XXXSP, M37225M8-XXXSP M37225ECSP

SINGLE-CHIP 8-BIT CMOS MICROCOMPUTER for VOLTAGE SYNTHESIZER
with ON-SCREEN DISPLAY CONTROLLER

Address 0245₁₆

Top Border Control Register

b7 b6 b5 b4 b3 b2 b1 b0



Top border control register (TBR) [Address 0245₁₆]

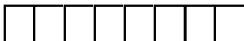
B	Name	Functions	After reset	R	W
0 to 7	Control bits of top border (TBR0 to TBR7)	Top border position = $H_{def} + H \times n$ (n: setting value, H_{def} : 17H, H: HSYNC)	Indeterminate	R	W

Notes 1: Set values except "00₁₆" to TBR.
2: Set values fit for $TBR \leq BBR$.

Address 0246₁₆

Bottom Border Control Register

b7 b6 b5 b4 b3 b2 b1 b0



Bottom border control register (BBR) [Address 0246₁₆]

B	Name	Functions	After reset	R	W
0 to 7	Control bits of bottom border (BBR0 to BBR7)	Bottom border position = $H_{def} + H \times n$ (n: setting value, H_{def} : 17H, H: HSYNC)	Indeterminate	R	W

Notes 1: Set values except "00₁₆" to BBR.
2: Set values fit for $TBR \leq BBR$.

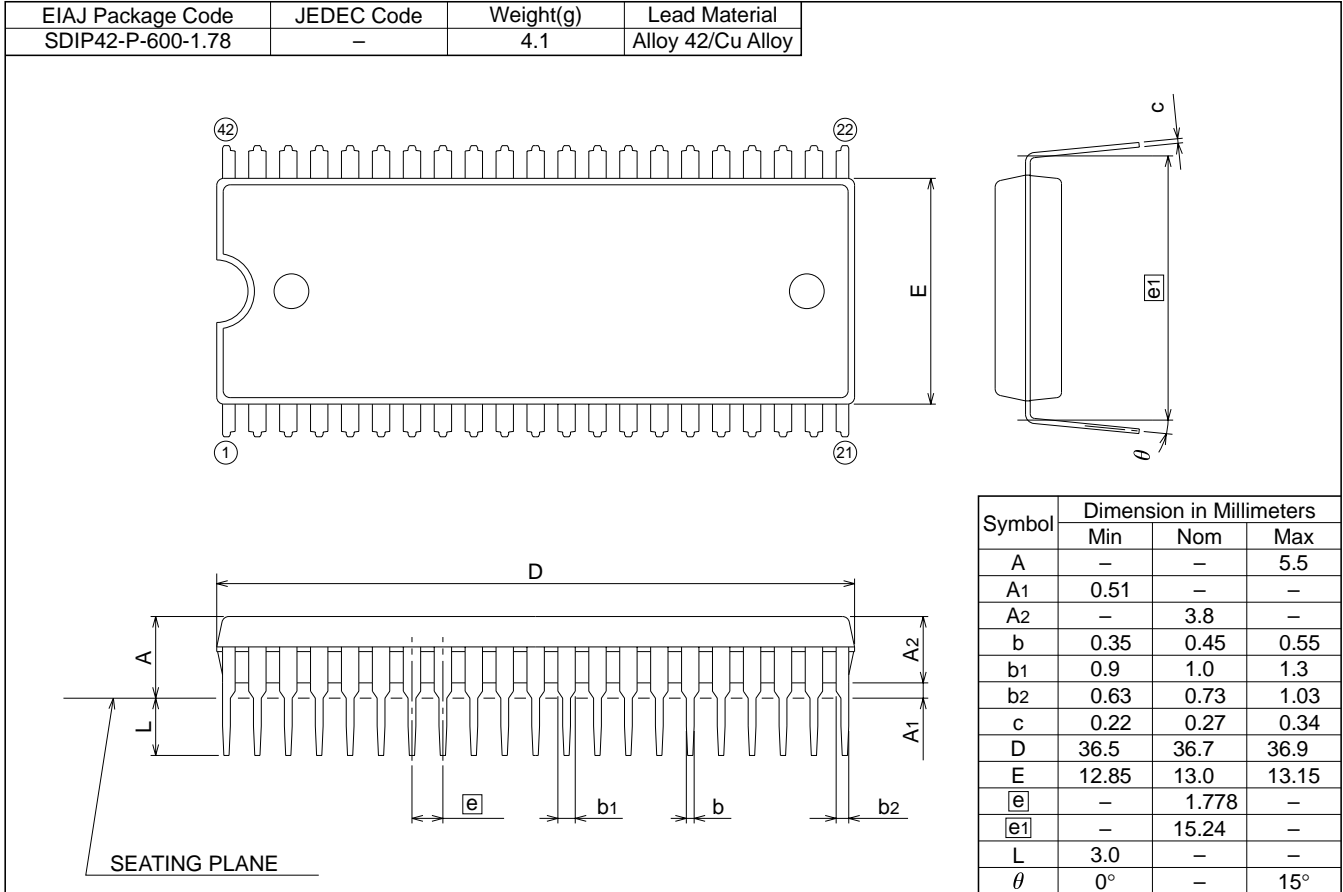
M37225M6-XXXSP, M37225M8-XXXSP M37225ECSP

SINGLE-CHIP 8-BIT CMOS MICROCOMPUTER for VOLTAGE SYNTHESIZER
with ON-SCREEN DISPLAY CONTROLLER

21. PACKAGE OUTLINE

42P4B

Plastic 42pin 600mil SDIP



M37225M6-XXXSP, M37225M8-XXXSP M37225ECSP

SINGLE-CHIP 8-BIT CMOS MICROCOMPUTER for VOLTAGE SYNTHESIZER
with ON-SCREEN DISPLAY CONTROLLER



Keep safety first in your circuit designs!

- Mitsubishi Electric Corporation puts the maximum effort into making semiconductor products better and more reliable, but there is always the possibility that trouble may occur with them. Trouble with semiconductors may lead to personal injury, fire or property damage. Remember to give due consideration to safety when making your circuit designs, with appropriate measures such as (i) placement of substitutive, auxiliary circuits, (ii) use of non-flammable material or (iii) prevention against any malfunction or mishap.

Notes regarding these materials

- These materials are intended as a reference to assist our customers in the selection of the Mitsubishi semiconductor product best suited to the customer's application; they do not convey any license under any intellectual property rights, or any other rights, belonging to Mitsubishi Electric Corporation or a third party.
- Mitsubishi Electric Corporation assumes no responsibility for any damage, or infringement of any third-party's rights, originating in the use of any product data, diagrams, charts, programs, algorithms, or circuit application examples contained in these materials.
- All information contained in these materials, including product data, diagrams, charts, programs and algorithms represents information on products at the time of publication of these materials, and are subject to change by Mitsubishi Electric Corporation without notice due to product improvements or other reasons. It is therefore recommended that customers contact Mitsubishi Electric Corporation or an authorized Mitsubishi Semiconductor product distributor for the latest product information before purchasing a product listed herein.
- The information described here may contain technical inaccuracies or typographical errors. Mitsubishi Electric Corporation assumes no responsibility for any damage, liability, or other loss rising from these inaccuracies or errors. Please also pay attention to information published by Mitsubishi Electric Corporation by various means, including the Mitsubishi Semiconductor home page (<http://www.mitsubishichips.com>).
- When using any or all of the information contained in these materials, including product data, diagrams, charts, programs, and algorithms, please be sure to evaluate all information as a total system before making a final decision on the applicability of the information and products. Mitsubishi Electric Corporation assumes no responsibility for any damage, liability or other loss resulting from the information contained herein.
- Mitsubishi Electric Corporation semiconductors are not designed or manufactured for use in a device or system that is used under circumstances in which human life is potentially at stake. Please contact Mitsubishi Electric Corporation or an authorized Mitsubishi Semiconductor product distributor when considering the use of a product contained herein for any specific purposes, such as apparatus or systems for transportation, vehicular, medical, aerospace, nuclear, or undersea repeater use.
- The prior written approval of Mitsubishi Electric Corporation is necessary to reprint or reproduce in whole or in part these materials.
- If these products or technologies are subject to the Japanese export control restrictions, they must be exported under a license from the Japanese government and cannot be imported into a country other than the approved destination.
- Any diversion or reexport contrary to the export control laws and regulations of Japan and/or the country of destination is prohibited.
- Please contact Mitsubishi Electric Corporation or an authorized Mitsubishi Semiconductor product distributor for further details on these materials or the products contained therein.



REVISION DESCRIPTION LISTM37225M6-XXXSP, M37225M8-XXXSP
M37225ECSP (Rev.1.0) TENTATIVE SPECIFICATIONS

Rev. No.	Revision Description	Rev. date
1.0	First Edition	9909