

IN-PHASE 8-WAY DIVIDERS/COMBINERS, POWER WITH SMA OR N CONNECTORS 0.5-18 GHz

SERIES YE

GENERAL SPECIFICATIONS

Frequency Range:	0.5 to 18.0 GHz
RF Impedance:	50 Ohms
RF Power:	The power handling capability for load VSWR's less than 1.50 is 1 watt CW and 1 kW peak for frequencies up to 2.0 GHz, and 400 mW CW and 0.4 kW peak for frequencies from 2.0 GHz to 18.0 GHz.
Operating Temperature:	-55°C to +85°C
Connectors:	SMA or Type N Female

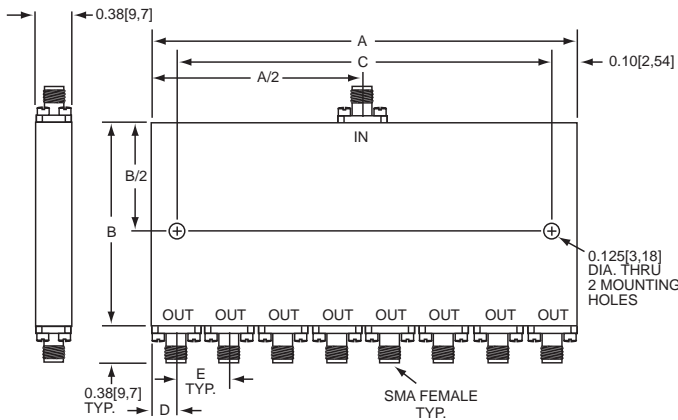


FIGURE 1 SERIES YE

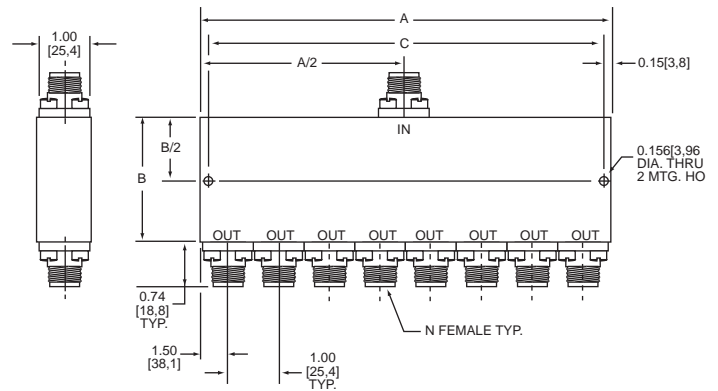


FIGURE 2 SERIES YE-N

Out-line	A in [mm]	B in [mm]	C in [mm]	D in [mm]	E in [mm]
1	4.50 [114,3]	2.75 [69,9]	4.300 [109,22]	0.50 [12,7]	0.50 [12,7]
2	4.0 [101,6]	2.25 [57,2]	3.800 [96,52]	0.25 [6,4]	0.50 [12,7]
3	3.20 [81,3]	2.00 [50,8]	3.000 [76,2]	0.20 [5,1]	0.40 [10,2]
4	3.20 [81,3]	2.85 [72,4]	3.000 [76,2]	0.20 [5,1]	0.40 [10,2]
5	3.20 [81,3]	2.50 [63,5]	3.000 [76,2]	0.20 [5,1]	0.40 [10,2]
6	5.20 [132,1]	4.20 [106,7]	4.950 [125,6]	0.50 [12,7]	0.60 [15,02]
7	3.20 [81,3]	4.00 [101,6]	3.00 [76,2]	0.20 [5,1]	0.40 [10,2]
8	8.00 [203,2]	2.50 [63,5]	7.70 [195,6]	—	—
9	8.00 [203,2]	2.25 [57,2]	7.70 [195,6]	—	—
8	8.00 [203,2]	1.75 [44,5]	7.70 [195,6]	—	—

ELECTRICAL PERFORMANCE

8 WAY TYPE

Model No.	Type *	Frequency Range GHz	Maximum In/Out VSWR	Maximum Insertion Loss dB	Minimum Isolation dB	Phase Balance Degrees	Amplitude Balance dB	Out-line SMA	Out-line N
YE-09	YE-09N	0.5-1.0	1.35/1.30	0.7	20	3	0.35	1	8
YE-1328	—	0.5-2.0	1.60/1.40	1.5	18**	4	0.4	6	—
YE-11	YE-11N	1.0-2.0	1.40/1.35	0.8	18	4	0.35	2	9
YE-21	YE-21N	2.0-4.0	1.45/1.40	1.1	17	4	0.35	3	9
YE-28	YE-28N	2.0-8.0	1.70/1.65	1.5	16	8	0.7	7	9
YE-41	YE-41N	4.0-8.0	1.60/1.55	1.4	16	7	0.6	3	10
YE-68	—	6.0-18.0	2.00/1.90	2.3	13	15	1.0	4	—
YE-81	—	8.0-12.0	1.70/1.65	1.2	15	6	0.4	5	—

* Units with Type N connectors: up to 4GHz multiply VSWR's by 1.05 and subtract 2 dB from isolation. Above 4GHz multiply VSWR's by 1.10 and subtract 3dB from isolation.

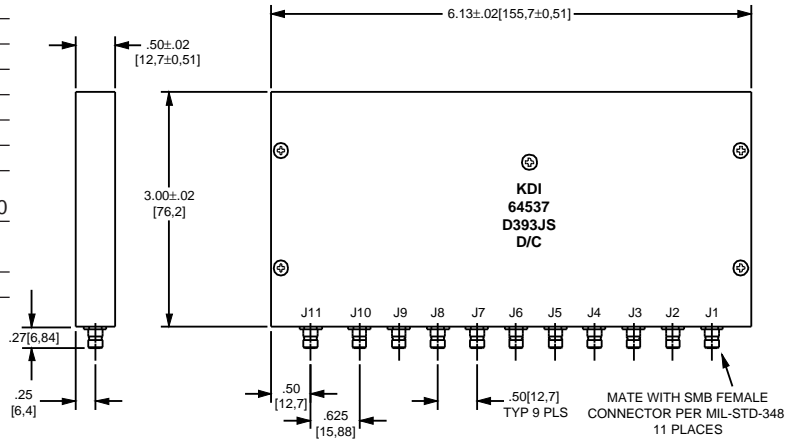
** Greater than 25 dB over most of the frequency band.

KEY: Inches[Millimeters] .XX ±.03 .XXX ±.010 [.X ±0.8 .XX ±0.25]

DIVIDERS/COMBINERS, POWER

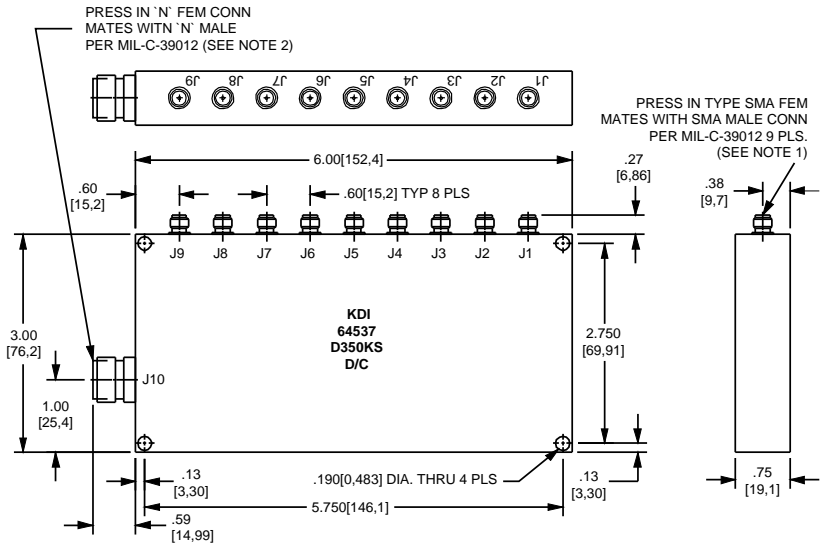
ELECTRICAL SPECIFICATIONS

Model:	D393JS
Connectors:	SMB
Frequency Range:	800-900 MHz
VSWR:	1.5:1 Maximum
Isolation:	40 dB Minimum
Insertion Loss:	10.5 ±0.5 dB
Coupling:	-20.0 ±0.5 dB
Isolation:	24 dB Minimum, J2-J3, J2-J4, J3-J4, J5-J6, J5-J7, J6-J7, J8-J9, J8-J10, J9-J10
All other divider port combinations:	29 dB Minimum
ISO J-11-J1:	40 dB Minimum
Insertion Loss	
Frequency Sensitivity:	±.25 dB
RF Power:	1 Watt Maximum @ Input J1 100 milliwatts/Port as a Combiner
Amplitude Balance:	±0.4 dB Maximum
Phase Balance:	±4° Maximum
Operating Temperature:	-30° to +70°C



ELECTRICAL SPECIFICATIONS

Model:	D350KS
Connectors:	SMA/N
Frequency Range:	.800-.900 GHz
VSWR:	1.35:1 Maximum
Insertion Loss:	9.9 dB Maximum
Amplitude Balance:	.50 dB Maximum
Phase Balance:	±4° Maximum
Coupling:	20.0 ±.5 dB
Isolation:	24.0 dB Minimum
RF Power:	1 Watt Maximum @ Input J1 100 milliwatts/Port Maximum as a Combiner
Operating Temperature:	-30° to +70°C



KEY: Inches[Millimeters] .XX ±.03 .XXX ±.010 [.X ±0.8 .XX ±0.25]

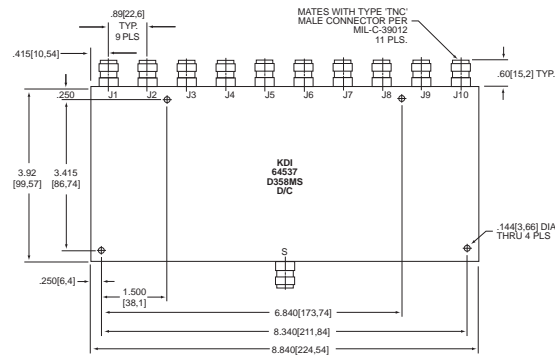


60 South Jefferson Road, Whippany, NJ 07981
 Tel: 973-887-8100 • Fax: 973-884-0445
 E-Mail: kdisales@aol.com
 See us on the web @ www.kditriangle.com

10 WAY DIVIDERS/COMBINERS, POWER

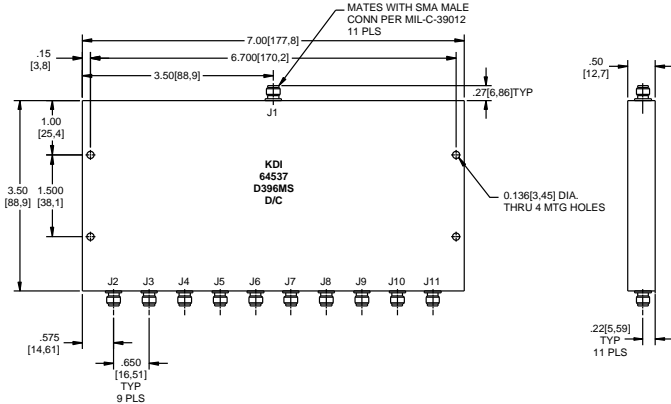
ELECTRICAL SPECIFICATIONS

Model:	D358MS
Connectors:	TNC
Frequency Range:	850-960 MHz
Insertion Loss:	11.5 dB Maximum
Isolation:	20 dB Minimum
Amplitude Balance:	0.6 dB Maximum
Phase Balance:	±5° Maximum
VSWR Input:	1.15:1 Typical
S-Port:	1.50:1 Typical
Operating Temperature:	-30° to +70°C
RF Power:	1 Watt Maximum as a Divider 100 milliwatts Max./Port as a Combiner



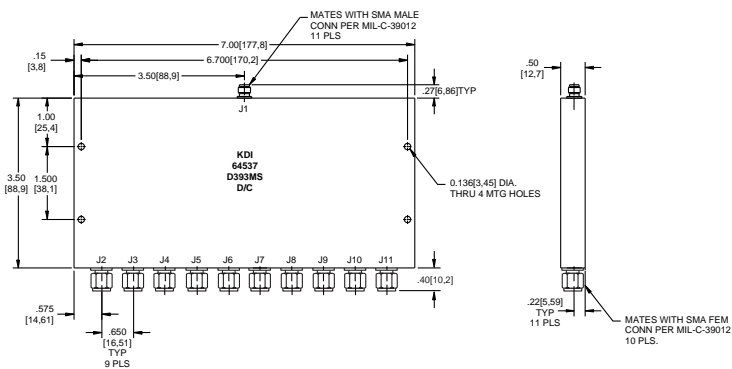
ELECTRICAL SPECIFICATIONS

Model:	D396MS
Connectors:	SMA
Frequency Range:	800-900 MHz
Insertion Loss above 10 dB:	0.7 dB Maximum
Insertion Loss:	19 dB Maximum
Amplitude Balance:	±0.3 dB
Phase Balance:	±5.0°
VSWR SUM Port:	1.25:1 Maximum
Input Ports:	1.30:1 Maximum
Matched PWR Rating as	
A combiner port, per port:	100mW Maximum
A Splitter:	1.0W Maximum
Operating Temperature:	-20 to +60°C



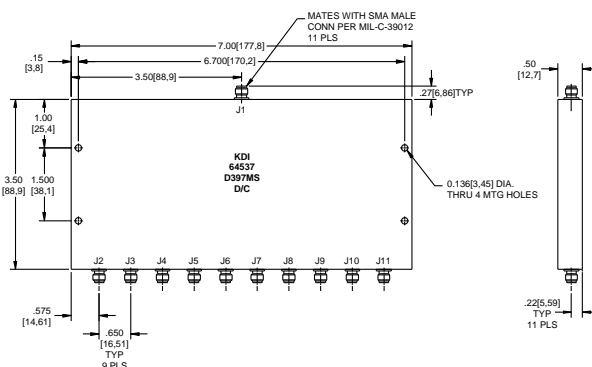
ELECTRICAL SPECIFICATIONS

Model:	D393MS
Connectors:	SMA
Frequency Range:	869-894 MHz
Insertion Loss above 10 dB:	0.7 dB Maximum
Insertion Loss:	25 dB Maximum
Amplitude Balance:	±0.3 dB
Phase Balance:	±5.0°
VSWR SUM Port:	1.20:1 Maximum
Input Ports:	1.25:1 Maximum
Matched PWR Rating as	
A combiner port, per port:	100mW Maximum
A Splitter:	1.0W Maximum
Operating Temperature:	-20 to +60°C



ELECTRICAL SPECIFICATIONS

Model:	D397MS
Connectors:	SMA
Frequency Range:	1900-1970 MHz
Insertion Loss above 10 dB:	0.7 dB Maximum
Insertion Loss:	20 dB Maximum
Amplitude Balance:	±0.3 dB
Phase Balance:	±5.0°
VSWR SUM Port:	1.20:1 Maximum
Input Ports:	1.25:1 Maximum
Matched PWR Rating as	
A combiner port, per port:	100mW Maximum
As a Splitter:	1.0W Maximum
Operating Temperature:	-20 to +60°C



KEY: Inches[Millimeters] .XX ±.03 .XXX ±.010 [.X ±0.8 .XX ±0.25]



60 South Jefferson Road, Whippany, NJ 07981
Tel: 973-887-8100 • Fax: 973-884-0445
E-Mail: kdisales@aol.com
See us on the web @ www.kditriangle.com