

## 1,024-BIT SERIAL ELECTRICALLY ERASABLE PROM

JUNE 2004

### FEATURES

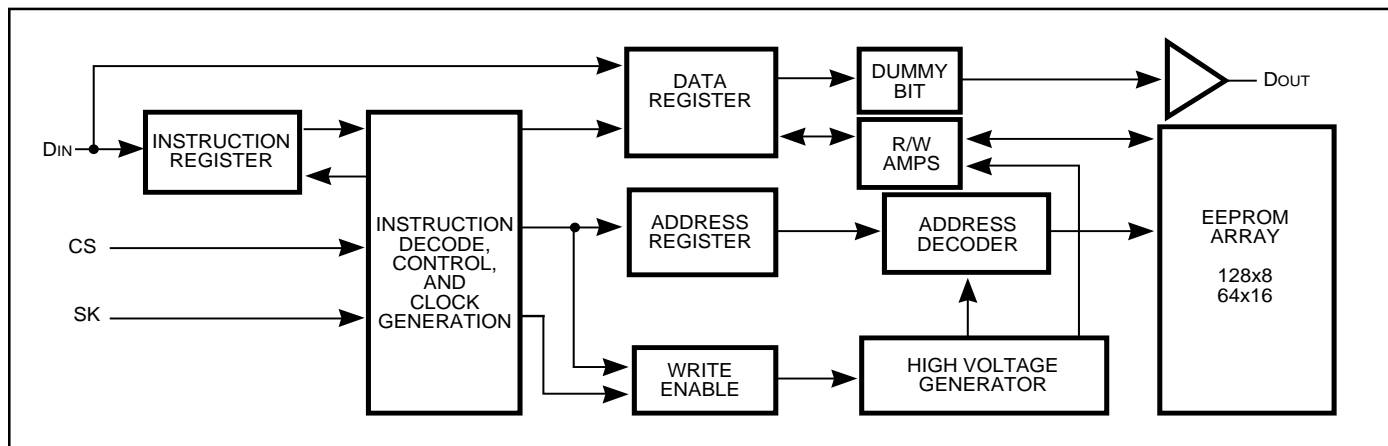
- Industry-standard Microwire Interface
  - Non-volatile data storage
  - Low voltage operation:
    - V<sub>cc</sub> = 2.5V to 5.5V
  - Full TTL compatible inputs and outputs
  - Auto increment for efficient data dump
- User Configured Memory Organization
  - By 16-bit or by 8-bit
- Hardware and software write protection
  - Defaults to write-disabled state at power-up
  - Software instructions for write-enable/disable
- Enhanced low voltage CMOS E<sup>2</sup>PROM technology
- Versatile, easy-to-use Interface
  - Self-timed programming cycle
  - Automatic erase-before-write
  - Programming status indicator
  - Word and chip erasable
  - Chip select enables power savings
- Durable and reliable
  - 40-year data retention after 1M write cycles
  - 1 million write cycles
  - Unlimited read cycles
  - Schmitt-trigger inputs

### DESCRIPTION

The IS93C46A is a low-cost 1kb non-volatile, ISSI® serial EEPROM. It is fabricated using an enhanced CMOS design and process. The IS93C46A contains power-efficient read/write memory, and organization of 128 bytes of 8 bits or 64 words of 16 bits. When the ORG pin is connected to V<sub>cc</sub> or left unconnected, x16 is selected; when it is connected to ground, x8 is selected. The IS93C46A is fully backward compatible with IS93C46.

An instruction set defines the operation of the devices, including read, write, and mode-enable functions. To protect against inadvertent data modification, all erase and write instructions are accepted only while the device is write-enabled. A selected x8 byte or x16 word can be modified with a single WRITE or ERASE instruction. Additionally, the two instructions WRITE ALL or ERASE ALL can program the entire array. Once a device begins its self-timed program procedure, the data out pin (Dout) can indicate the READY/BUSY status by raising chip select (CS). The self-timed write cycle includes an automatic erase-before-write capability. The device can output any number of consecutive bytes/words using a single READ instruction.

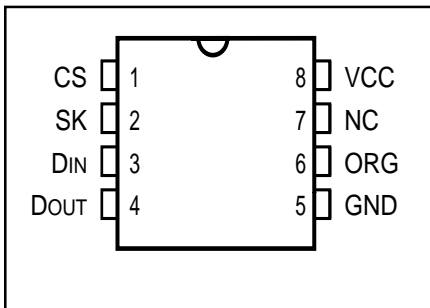
### FUNCTIONAL BLOCK DIAGRAM



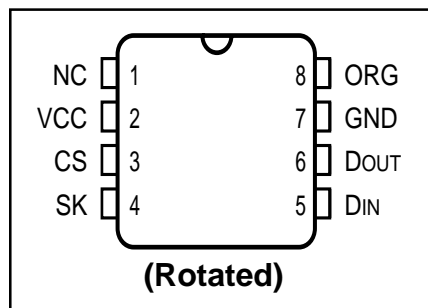
Copyright © 2004 Integrated Silicon Solution, Inc. All rights reserved. ISSI reserves the right to make changes to this specification and its products at any time without notice. ISSI assumes no liability arising out of the application or use of any information, products or services described herein. Customers are advised to obtain the latest version of this device specification before relying on any published information and before placing orders for products.

## PIN CONFIGURATIONS

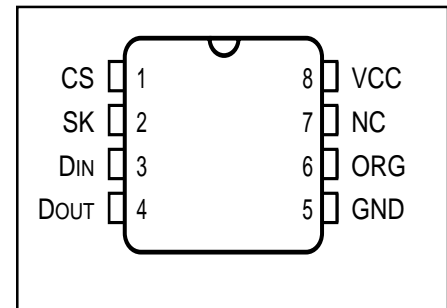
### 8-Pin DIP, 8-Pin TSSOP



### 8-Pin JEDEC SOIC "G"



### 8-Pin JEDEC SOIC "GR"



## PIN DESCRIPTIONS

CS	Chip Select
SK	Serial Data Clock
DIN	Serial Data Input
DOUT	Serial Data Output
ORG	Organization Select
NC	Not Connected
Vcc	Power
GND	Ground

## Applications

The IS93C46A is very popular in many high-volume applications which require low-power, low-density storage. Applications using this device include industrial controls, networking, and numerous other consumer electronics.

## Endurance and Data Retention

The IS93C46A is designed for applications requiring up to 1M programming cycles (WRITE, WRALL, ERASE and ERAL). It provides 40 years of secure data retention without power after the execution of 1M programming cycles.

## Device Operations

The IS93C46A is controlled by a set of instructions which are clocked-in serially on the Din pin. Before each low-to-high transition of the clock (SK), the CS pin must have already been raised to HIGH, and the Din value must be stable at either LOW or HIGH. Each

instruction begins with a start bit of the logical "1" or HIGH. Following this are the opcode (2 bits), address field (6 or 7 bits), and data, if appropriate. The clock signal may be held stable at any moment to suspend the device at its last state, allowing clock-speed flexibility. Upon completion of bus communication, CS would be pulled LOW. The device then would enter Standby mode if no internal programming is underway.

## Read (READ)

The READ instruction is the only instruction that outputs serial data on the DOUT pin. After the read instruction and address have been decoded, data is transferred from the selected memory register into a serial shift register. (Please note that one logical "0" bit precedes the actual 8 or 16-bit output data string.) The output on DOUT changes during the low-to-high transitions of SK (see Figure 3).

## Low Voltage Read

The IS93C46A has been designed to ensure that data read operations are reliable in low voltage environments. They provide accurate operation with Vcc as low as 2.5V.

## Auto Increment Read Operations

In the interest of memory transfer operation applications, the IS93C46A has been designed to output a continuous stream of memory content in response to a single read operation instruction. To utilize this function, the system asserts a read instruction specifying a start location address. Once the 8 or 16 bits of the addressed register have been clocked out, the data in consecutively higher address locations is output. The address will wrap around continuously with CS HIGH until the chip select (CS) control pin is brought LOW. This allows for single instruction data dumps to be executed with a minimum of firmware overhead.

### Write Enable (WEN)

The write enable (WEN) instruction must be executed before any device programming (WRITE, WRALL, ERASE, and ERAL) can be done. When Vcc is applied, this device powers up in the write disabled state. The device then remains in a write disabled state until a WEN instruction is executed. Thereafter, the device remains enabled until a WDS instruction is executed or until Vcc is removed. (See Figure 4.) (Note: Chip select must remain LOW until Vcc reaches its operational value.)

### Write (WRITE)

The WRITE instruction includes 8 or 16 bits of data to be written into the specified register. After the last data bit has been applied to D<sub>IN</sub>, and before the next rising edge of SK, CS must be brought LOW. If the device is write-enabled, then the falling edge of CS initiates the self-timed programming cycle (see WEN).

If CS is brought HIGH, after a minimum wait of 250 ns (5V operation) after the falling edge of CS (t<sub>CS</sub>) D<sub>OUT</sub> will indicate the READY/BUSY status of the chip. Logical “0” means programming is still in progress; logical “1” means the selected register has been written, and the part is ready for another instruction (see Figure 5). The READY/BUSY status will not be available if: a) The CS input goes HIGH after the end of the self-timed programming cycle, t<sub>WP</sub>; or b) Simultaneously CS is HIGH, D<sub>in</sub> is HIGH, and SK goes HIGH, which clears the status flag.

### Write All (WRALL)

The write all (WRALL) instruction programs all registers with the data pattern specified in the instruction. As with the WRITE instruction, the falling edge of CS must occur to initiate the self-timed programming cycle. If CS is then brought HIGH after a minimum wait of 250 ns (t<sub>CS</sub>), the D<sub>OUT</sub> pin indicates the READY/BUSY status of the chip (see Figure 6).

### Write Disable (WDS)

The write disable (WDS) instruction disables all programming capabilities. This protects the entire device against accidental modification of data until a WEN instruction is executed. (When Vcc is applied, this part powers up in the write disabled state.) To protect data, a WDS instruction should be executed upon completion of each programming operation.

### Erase Register (ERASE)

After the erase instruction is entered, CS must be brought LOW. The falling edge of CS initiates the self-timed internal programming cycle. Bringing CS HIGH after a minimum of t<sub>CS</sub>, will cause D<sub>OUT</sub> to indicate the READ/BUSY status of the chip: a logical “0” indicates programming is still in progress; a logical “1” indicates the erase cycle is complete and the part is ready for another instruction (see Figure 8).

### Erase All (ERAL)

Full chip erase is provided for ease of programming. Erasing the entire chip involves setting all bits in the entire memory array to a logical “1” (see Figure 9).

## INSTRUCTION SET - IS93C46A

Instruction	Start Bit	OP Code	8-bit Organization (ORG = GND)		16-bit Organization (ORG = Vcc)	
			Address <sup>(1)</sup>	Input Data	Address <sup>(1)</sup>	Input Data
READ	1	10	(A6-A0)	—	(A5-A0)	—
WEN (Write Enable)	1	00	11xxxx	—	11xxxx	—
WRITE	1	01	(A6-A0)	(D7-D0) <sup>(3)</sup>	(A5-A0)	(D15-D0) <sup>(2)</sup>
WRALL (Write All Registers)	1	00	01xxxx	(D7-D0) <sup>(3)</sup>	01xxxx	(D15-D0) <sup>(2)</sup>
WDS (Write Disable)	1	00	00xxxx	—	00xxxx	—
ERASE	1	11	(A6-A0)	—	(A5-A0)	—
ERAL (Erase All Registers)	1	00	10xxxx	—	10xxxx	—

#### Notes:

1. x = Don't care bit.
2. If input data is not 16 bits exactly, the last 16 bits will be taken as input data.
3. If input data is not 8 bits exactly, the last 8 bits will be taken as input data.

**ABSOLUTE MAXIMUM RATINGS<sup>(1)</sup>**

Symbol	Parameter	Value	Unit
V <sub>GND</sub>	Voltage with Respect to GND	-0.3to+6.5	V
T <sub>BIAS</sub>	Temperature Under Bias (Commercial or Industrial)	-40to+85	°C
T <sub>BIAS</sub>	Temperature Under Bias (Automotive)	-40to+125	°C
T <sub>STG</sub>	Storage Temperature	-65to+150	°C

**Notes:**

1. Stress greater than those listed under ABSOLUTE MAXIMUM RATINGS may cause permanent damage to the device. This is a stress rating only and functional operation of the device at these or any other conditions above those indicated in the operational sections of this specification is not implied. Exposure to absolute maximum rating conditions for extended periods may affect reliability.

**OPERATING RANGE**

Range	Ambient Temperature	V <sub>CC</sub>
Commercial	0°Cto+70°C	2.5Vto 5.5V
Industrial	-40°Cto+85°C	2.5Vto 5.5V
Automotive	-40°Cto+125°C	2.7V to 5.5V or 4.5V to 5.5V

**CAPACITANCE**

Symbol	Parameter	Conditions	Max.	Unit
C <sub>IN</sub>	Input Capacitance	V <sub>IN</sub> = 0V	5	pF
C <sub>OUT</sub>	Output Capacitance	V <sub>OUT</sub> = 0V	5	pF

**DC ELECTRICAL CHARACTERISTICS**

T<sub>A</sub> = 0°C to +70°C for Commercial, -40°C to +85°C for Industrial, and -40°C to +125°C for Automotive.

Symbol	Parameter	Test Conditions	V <sub>cc</sub>	Min.	Max.	Unit
V <sub>OL</sub>	Output LOW Voltage	I <sub>OL</sub> = 100 μA	2.5V to 5.5V	—	0.2	V
V <sub>OL1</sub>	Output LOW Voltage	I <sub>OL</sub> = 2.1 mA	4.5V to 5.5V	—	0.4	V
V <sub>OH</sub>	Output HIGH Voltage	I <sub>OH</sub> = -100 μA	2.5V to 5.5V	V <sub>cc</sub> - 0.2	—	V
V <sub>OH1</sub>	Output HIGH Voltage	I <sub>OH</sub> = -400 μA	4.5V to 5.5V	2.4	—	V
V <sub>IH</sub>	Input HIGH Voltage		2.5V to 5.5V	0.7×V <sub>cc</sub>	V <sub>cc</sub> +1	V
			4.5V to 5.5V	0.7×V <sub>cc</sub>	V <sub>cc</sub> +1	
V <sub>IL</sub>	Input LOW Voltage		2.5V to 5.5V	-0.3	0.2×V <sub>cc</sub>	V
			4.5V to 5.5V	-0.3	0.8	
I <sub>LI</sub>	Input Leakage	V <sub>IN</sub> = 0V to V <sub>cc</sub> (CS, SK, D <sub>IN</sub> , ORG)		0	2.5	μA
I <sub>LO</sub>	Output Leakage	V <sub>OUT</sub> = 0V to V <sub>cc</sub> , CS = 0V		0	2.5	μA

**Notes:**

Automotive grade devices in this table are tested with V<sub>cc</sub> = 2.7V to 5.5V and 4.5V to 5.5V.

**POWER SUPPLY CHARACTERISTICS**T<sub>A</sub> = 0°C to +70°C for Commercial

Symbol	Parameter	Test Conditions	Vcc	Min.	Max.	Unit
I <sub>cc1</sub>	V <sub>cc</sub> Read Supply Current	CS = V <sub>IH</sub> , SK = 1 MHz CMOS input levels	2.7V	—	100	μA
			5.0V	—	500	μA
I <sub>cc2</sub>	V <sub>cc</sub> Write Supply Current	CS = V <sub>IH</sub> , SK = 1 MHz CMOS input levels	2.7V	—	1	mA
			5.0V	—	3	mA
I <sub>SB</sub>	Standby Current	CS = V <sub>IH</sub> , SK = 0V	2.7V	—	10	μA
			5.0V	—	30	μA

**POWER SUPPLY CHARACTERISTICS**T<sub>A</sub> = -40°C to +85°C for Industrial

Symbol	Parameter	Test Conditions	Vcc	Min.	Max.	Unit
I <sub>cc1</sub>	V <sub>cc</sub> Read Supply Current	CS = V <sub>IH</sub> , SK = 1 MHz CMOS input levels	2.7V	—	100	μA
			5.0V	—	500	μA
I <sub>cc2</sub>	V <sub>cc</sub> Write Supply Current	CS = V <sub>IH</sub> , SK = 1 MHz CMOS input levels	2.7V	—	1	mA
			5.0V	—	3	mA
I <sub>SB</sub>	Standby Current	CS = V <sub>IH</sub> , SK = 0V	2.7V	—	2	μA
			5.0V	—	4	μA

**POWER SUPPLY CHARACTERISTICS**T<sub>A</sub> = -40°C to +125°C for Automotive

Symbol	Parameter	Test Conditions	Vcc	Min.	Max.	Unit
I <sub>cc1</sub>	V <sub>cc</sub> Read Supply Current	CS = V <sub>IH</sub> , SK = 1 MHz CMOS input levels	2.7V	—	100	μA
			5.0V	—	500	μA
I <sub>cc2</sub>	V <sub>cc</sub> Write Supply Current	CS = V <sub>IH</sub> , SK = 1 MHz CMOS input levels	2.7V	—	1	mA
			5.0V	—	3	mA
I <sub>SB</sub>	Standby Current	CS = V <sub>IH</sub> , SK = 0V	2.7V	—	3	μA
			5.0V	—	8	μA

## AC ELECTRICAL CHARACTERISTICS

T<sub>A</sub> = T<sub>A</sub> = 0°C to +70°C for Commercial, -40°C to +85°C for Industrial

Symbol	Parameter	Test Conditions	V <sub>CC</sub>	Min.	Max.	Unit
f <sub>SK</sub>	SK Clock Frequency		2.5V to 5.5V	0	1	Mhz
			2.7V to 5.5V	0	1	Mhz
			4.5V to 5.5V	0	2	Mhz
t <sub>SKH</sub>	SK HIGH Time		2.5V to 5.5V	500	—	ns
			2.7V to 5.5V	350	—	ns
			4.5V to 5.5V	250	—	ns
t <sub>SKL</sub>	SK LOW Time		2.5V to 5.5V	500	—	ns
			2.7V to 5.5V	350	—	ns
			4.5V to 5.5V	250	—	ns
t <sub>CS</sub>	Minimum CS LOW Time		2.5V to 5.5V	500	—	ns
			2.7V to 5.5V	250	—	ns
			4.5V to 5.5V	250	—	ns
t <sub>CSS</sub>	CS Setup Time	Relative to SK	2.5V to 5.5V	100	—	ns
			2.7V to 5.5V	50	—	ns
			4.5V to 5.5V	50	—	ns
t <sub>DIS</sub>	Din Setup Time	Relative to SK	2.5V to 5.5V	100	—	ns
			2.7V to 5.5V	100	—	ns
			4.5V to 5.5V	100	—	ns
t <sub>CSH</sub>	CS Hold Time	Relative to SK	2.5V to 5.5V	0	—	ns
			2.7V to 5.5V	0	—	ns
			4.5V to 5.5V	0	—	ns
t <sub>DIH</sub>	Din Hold Time	Relative to SK	2.5V to 5.5V	100	—	ns
			2.7V to 5.5V	100	—	ns
			4.5V to 5.5V	100	—	ns
t <sub>PD1</sub>	Output Delay to "1"	AC Test	2.5V to 5.5V	—	400	ns
			2.7V to 5.5V	—	350	ns
			4.5V to 5.5V	—	250	ns
t <sub>PD0</sub>	Output Delay to "0"	AC Test	2.5V to 5.5V	—	400	ns
			2.7V to 5.5V	—	350	ns
			4.5V to 5.5V	—	250	ns
t <sub>SV</sub>	CS to Status Valid	AC Test	2.5V to 5.5V	—	400	ns
			2.7V to 5.5V	—	250	ns
			4.5V to 5.5V	—	250	ns
t <sub>DF</sub>	CS to Dout in 3-state	AC Test, CS=VIL	2.5V to 5.5V	—	200	ns
			2.7V to 5.5V	—	200	ns
			4.5V to 5.5V	—	100	ns
t <sub>WP</sub>	Write Cycle Time		2.5V to 5.5V	—	10	ms
			2.7V to 5.5V	—	10	ms
			4.5V to 5.5V	—	5	ms

## Notes:

1. C<sub>L</sub> = 100pF

**AC ELECTRICAL CHARACTERISTICS**T<sub>A</sub> = -40°C to +125°C for Automotive

Symbol	Parameter	Test Conditions	V <sub>cc</sub>	Min.	Max.	Unit
f <sub>SK</sub>	SK Clock Frequency		2.7V to 5.5V	0	1	Mhz
			4.5V to 5.5V	0	2	Mhz
t <sub>SKH</sub>	SK HIGH Time		2.7V to 5.5V	500	—	ns
			4.5V to 5.5V	250	—	ns
t <sub>SKL</sub>	SK LOW Time		2.7V to 5.5V	500	—	ns
			4.5V to 5.5V	250	—	ns
t <sub>CS</sub>	Minimum CS LOW Time		2.7V to 5.5V	250	—	ns
			4.5V to 5.5V	250	—	ns
t <sub>CSS</sub>	CS Setup Time	Relative to SK	2.7V to 5.5V	100	—	ns
			4.5V to 5.5V	50	—	ns
t <sub>DIS</sub>	Din Setup Time	Relative to SK	2.7V to 5.5V	100	—	ns
			4.5V to 5.5V	100	—	ns
t <sub>CSH</sub>	CS Hold Time	Relative to SK	2.7V to 5.5V	0	—	ns
			4.5V to 5.5V	0	—	ns
t <sub>DIH</sub>	Din Hold Time	Relative to SK	2.7V to 5.5V	100	—	ns
			4.5V to 5.5V	100	—	ns
t <sub>PD1</sub>	Output Delay to "1"	AC Test	2.7V to 5.5V	—	400	ns
			4.5V to 5.5V	—	250	ns
t <sub>PD0</sub>	Output Delay to "0"	AC Test	2.7V to 5.5V	—	400	ns
			4.5V to 5.5V	—	250	ns
t <sub>SV</sub>	CS to Status Valid	AC Test	2.7V to 5.5V	—	250	ns
			4.5V to 5.5V	—	250	ns
t <sub>DF</sub>	CS to Dout in 3-state	AC Test, CS=VIL	2.7V to 5.5V	—	200	ns
			4.5V to 5.5V	—	100	ns
t <sub>WP</sub>	Write Cycle Time		2.7V to 5.5V	—	10	ms
			4.5V to 5.5V	—	5	ms

**Notes:**1. C<sub>L</sub> = 100pF



AC WAVEFORMS

FIGURE 2. SYNCHRONOUS DATA TIMING

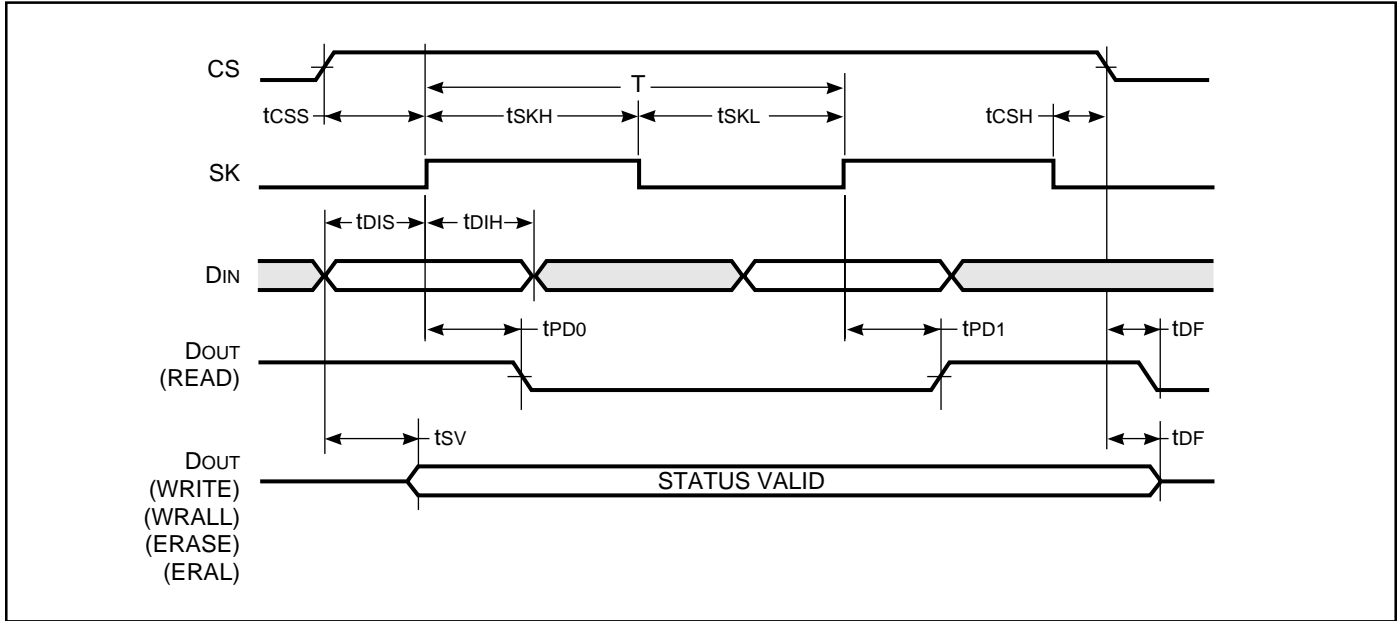
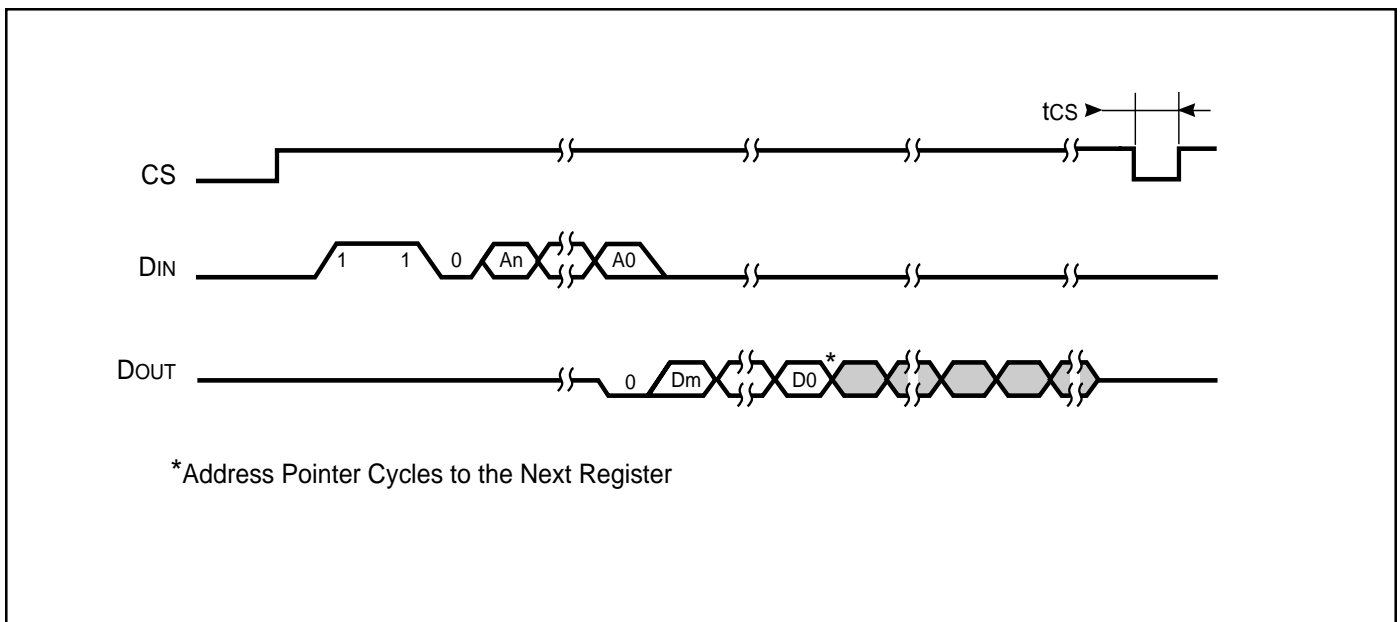


FIGURE 3. READ CYCLE TIMING



Notes:

To determine address bits  $A_n$ - $A_0$  and data bits  $D_m$ - $D_0$ , see Instruction Set.

AC WAVEFORMS

FIGURE 4. WRITE ENABLE (WEN) TIMING

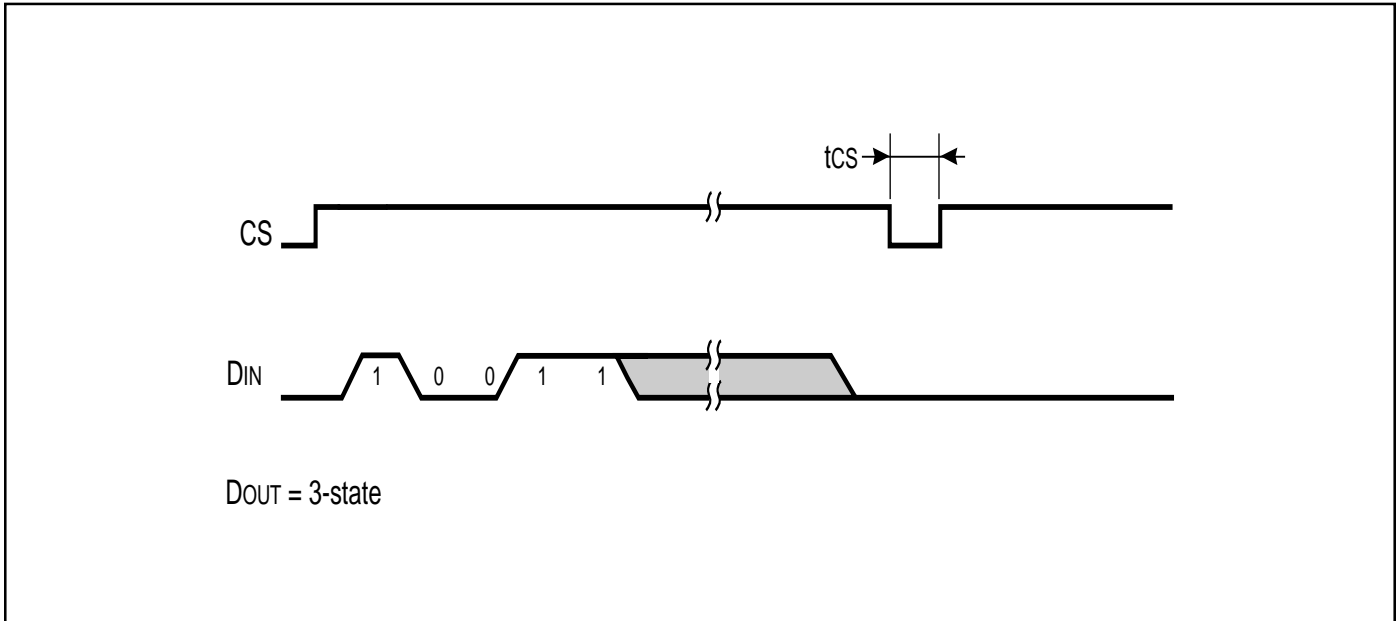
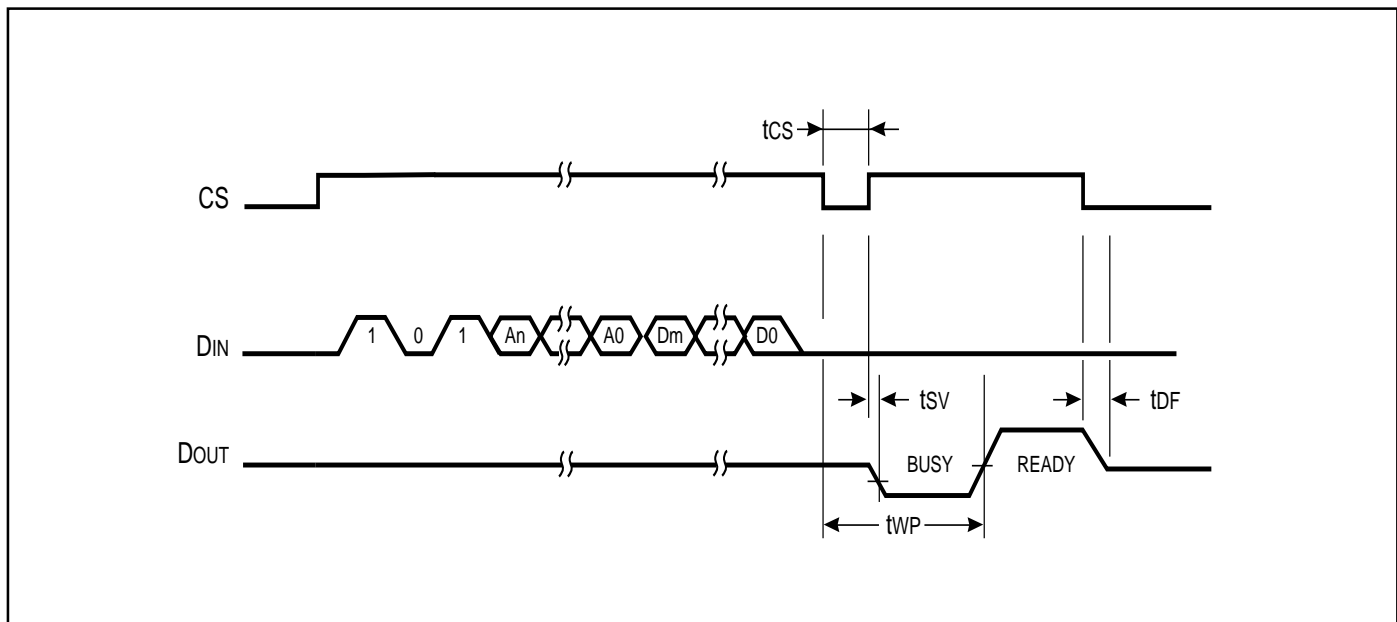


FIGURE 5. WRITE (WRITE) CYCLE TIMING

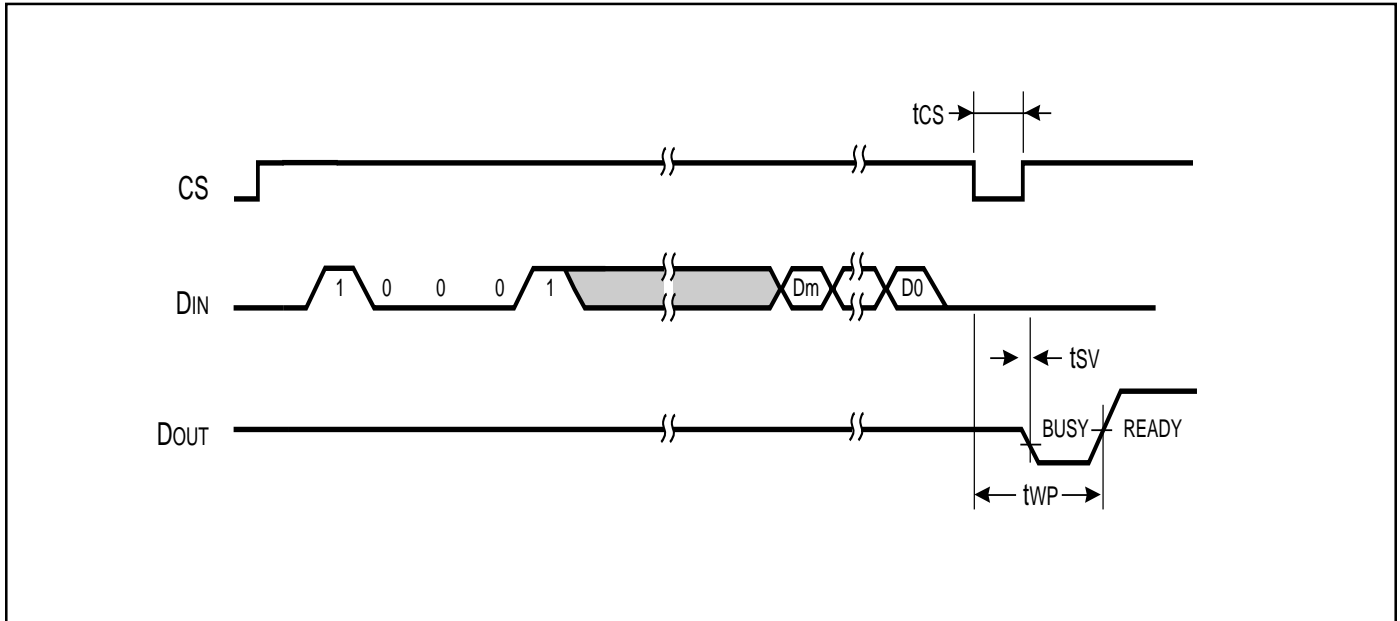


Notes:

1. After the completion of the instruction (DOUT is in READY status) then it may perform another instruction. If device is in  $\overline{\text{BUSY}}$  status (DOUT indicates  $\overline{\text{BUSY}}$  status) then attempting to perform another instruction could cause device malfunction.
2. To determine address bits  $A_n$ - $A_0$  and data bits  $D_m$ - $D_0$ , see Instruction Set.

AC WAVEFORMS

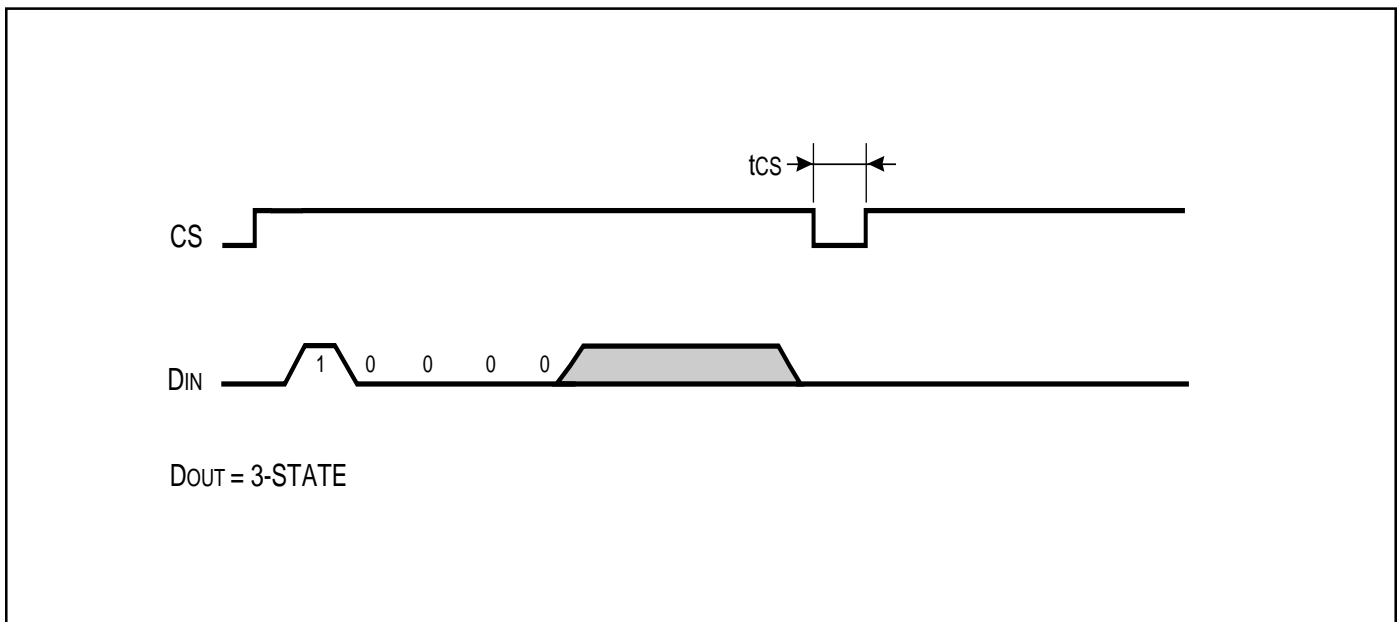
FIGURE 6. WRITE ALL (WRALL) TIMING



Notes:

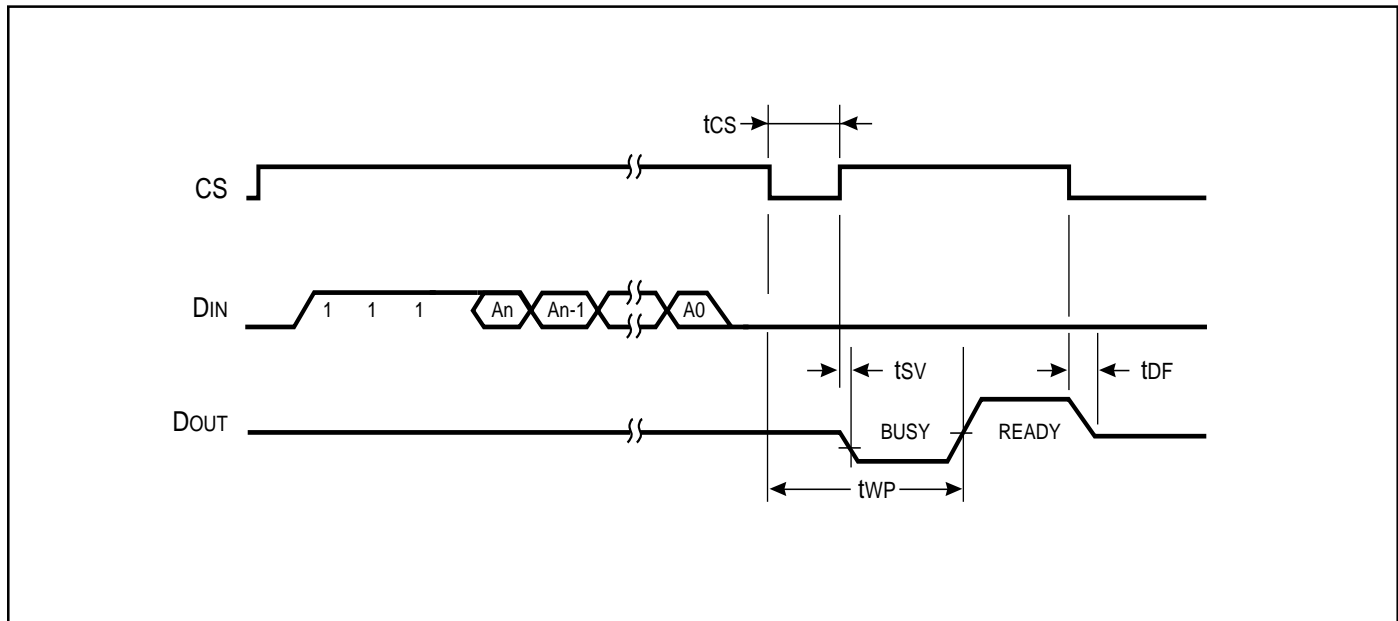
1. After the completion of the instruction ( $D_{OUT}$  is in  $\overline{READY}$  status) then it may perform another instruction. If device is in  $\overline{BUSY}$  status ( $D_{OUT}$  indicates  $\overline{BUSY}$  status) then attempting to perform another instruction could cause device malfunction.
2. To determine data bits  $D_m$ - $D_0$ , see Instruction Set.

FIGURE 7. WRITE DISABLE (WDS) CYCLE TIMING



AC WAVEFORMS

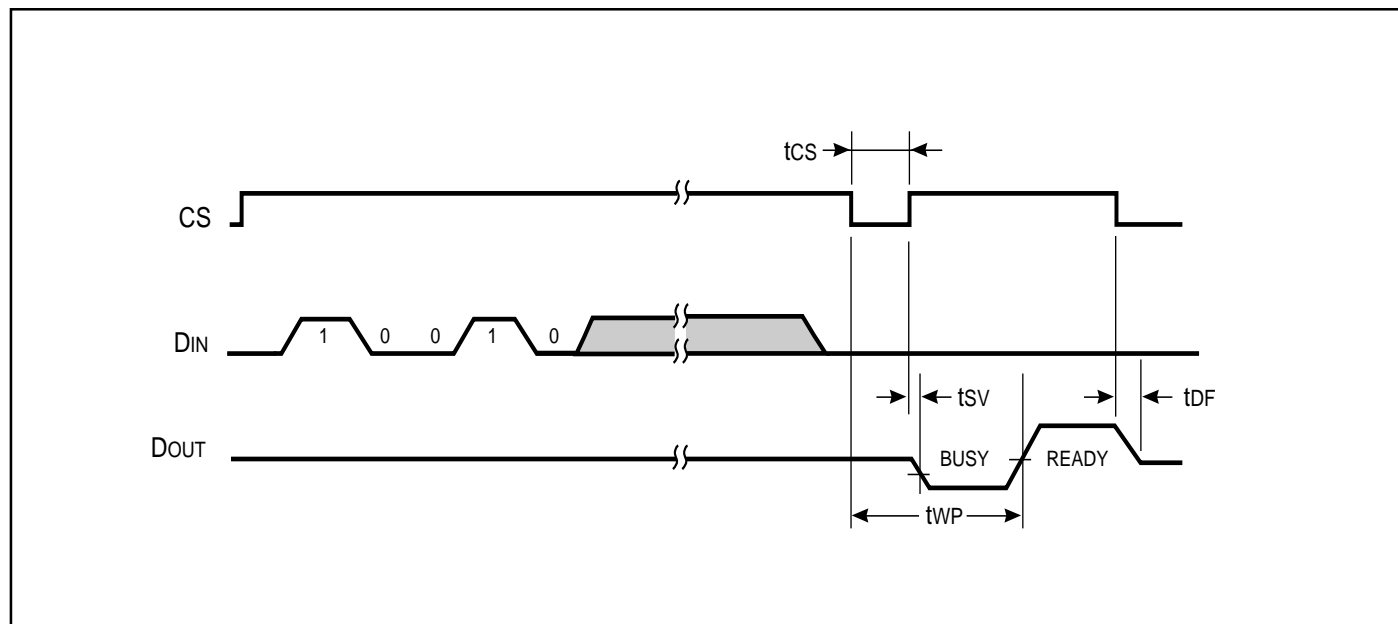
FIGURE 8. ERASE (REGISTER ERASE) CYCLE TIMING



Notes:

To determine data bits An - A0, see Instruction Set.

FIGURE 9. ERASE ALL (ERAL) CYCLE TIMING



Note for Figures 8 and 9:

After the completion of the instruction (DOUT is in READY status) then it may perform another instruction. If device is in  $\overline{\text{BUSY}}$  status (DOUT indicates  $\overline{\text{BUSY}}$  status) then attempting to perform another instruction could cause device malfunction.

**ORDERING INFORMATION**

Commercial: 0°C to +70°C

Speed	Voltage Range	Order Part No.	Package
1Mhz *	2.5V to 5.5V	IS93C46A-3P	300-mil Plastic DIP
		IS93C46A-3G	SOIC (rotated) JEDEC
		IS93C46A-3GR	SOIC JEDEC
		IS93C46A-3Z	169-mil TSSOP
1Mhz *	2.5V to 5.5V	IS93C46A-3PL	300-mil Plastic DIP, Lead-free
		IS93C46A-3GL	SOIC (rotated) JEDEC, Lead-free
		IS93C46A-3GRL	SOIC JEDEC, Lead-free
		IS93C46A-3ZL	169-mil TSSOP, Lead-free

**ORDERING INFORMATION**

Industrial Range: -40°C to +85°C

Speed	Voltage Range	Order Part No.	Package
1Mhz *	2.5V to 5.5V	IS93C46A-3PI	300-mil Plastic DIP
		IS93C46A-3GI	SOIC (rotated) JEDEC
		IS93C46A-3GRI	SOIC JEDEC
		IS93C46A-3ZI	169-mil TSSOP
1Mhz *	2.5V to 5.5V	IS93C46A-3PLI	300-mil Plastic DIP, Lead-free
		IS93C46A-3GLI	SOIC (rotated) JEDEC, Lead-free
		IS93C46A-3GRLI	SOIC JEDEC, Lead-free
		IS93C46A-3ZLI	169-mil TSSOP, Lead-free

**ORDERING INFORMATION**

Automotive Range: -40°C to +125°C

Speed	Voltage Range	Order Part No.	Package
1Mhz *	2.7V to 5.5V	IS93C46A-3PA	300-mil Plastic DIP
		IS93C46A-3GRA	SOIC JEDEC

\* The specification allows higher speed. Please see the AC Characteristics for more information.