



Integrated Device Technology, Inc.

FAST CMOS QUAD 2-INPUT MULTIPLEXER

IDT54/74FCT157T/AT/CT/DT
IDT54/74FCT257T/AT/CT/DT
IDT54/74FCT2257T/AT/CT

FEATURES:

• Common features:

- Low input and output leakage $\leq 1\mu\text{A}$ (max.)
- CMOS power levels
- True TTL input and output compatibility
 - $V_{OH} = 3.3\text{V}$ (typ.)
 - $V_{OL} = 0.3\text{V}$ (typ.)
- Meets or exceeds JEDEC standard 18 specifications
- Product available in Radiation Tolerant and Radiation Enhanced versions
- Military product compliant to MIL-STD-883, Class B and DESC listed (dual marked)
- Available in DIP, SOIC, SSOP, QSOP, CERPACK and LCC packages

• Features for FCT157T/257T:

- Std., A, C and D speed grades
- High drive outputs (-15mA IOH, 48mA IOL)

• Features for FCT2257T:

- Std., A, and C speed grades
- Resistor outputs (-15mA IOH, 12mA IOL Com.)
(-12mA IOH, 12mA IOL Mil.)
- Reduced system switching noise

DESCRIPTION:

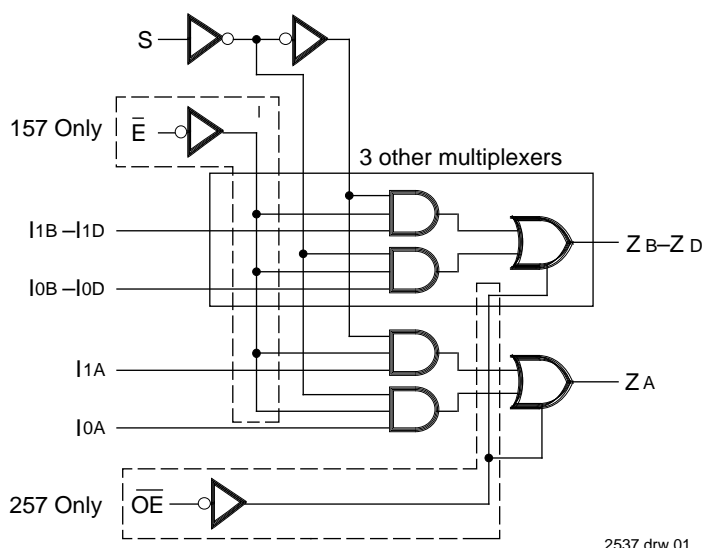
The FCT157T, FCT257T/FCT2257T are high-speed quad 2-input multiplexers built using an advanced dual metal CMOS technology. Four bits of data from two sources can be selected using the common select input. The four buffered outputs present the selected data in the true (non-inverting) form.

The FCT157T has a common, active-LOW, enable input. When the enable input is not active, all four outputs are held LOW. A common application of 'FCT157T is to move data from two different groups of registers to a common bus. Another application is as a function generator. The 'FCT157T can generate any four of the 16 different functions of two variables with one variable common.

The FCT257T/FCT2257T have a common Output Enable (\overline{OE}) input. When \overline{OE} is HIGH, all outputs are switched to a high-impedance state allowing the outputs to interface directly with bus-oriented systems.

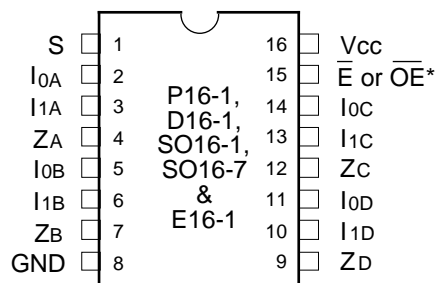
The FCT2257T has balanced output drive with current limiting resistors. This offers low ground bounce, minimal undershoot and controlled output fall times-reducing the need for external series terminating resistors. FCTxxxT parts are plug-in replacements for FCTxxxT parts.

FUNCTIONAL BLOCK DIAGRAM



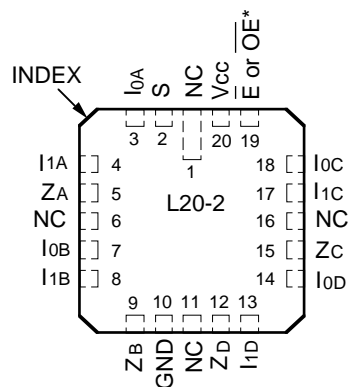
2537 drw 01

PIN CONFIGURATIONS



DIP/SOIC/QSOP/CERPACK
TOP VIEW

2537 drw 02



LCC
TOP VIEW

2537 drw 03

The IDT logo is a registered trademark of Integrated Device Technology, Inc.

* \overline{E} for FCT157, \overline{OE} for FCT257/FCT2257.

MILITARY AND COMMERCIAL TEMPERATURE RANGES

JUNE 1996

PIN DESCRIPTION

Pin Names	Description
I0A–I0D	Source 0 Data Inputs
I1A–I1D	Source 1 Data Inputs
\bar{E}	Enable Input (Active LOW)–FCT157T
\bar{OE}	Output Enable (Active LOW)–FCT257T/2257T
S	Select Input
ZA–ZD	Outputs

2537 tbl 01

FUNCTION TABLE⁽¹⁾

Inputs				Output Zn	
\bar{E}/\bar{OE}	S	I0	I1	157	257
H	X	X	X	L	Z
L	H	X	L	L	L
L	H	X	H	H	H
L	L	L	X	L	L
L	L	H	X	H	H

2537 tbl 02

NOTE:

- H = HIGH Voltage Level
L = LOW Voltage Level
X = Don't Care
Z = High Impedance

ABSOLUTE MAXIMUM RATINGS⁽¹⁾

Symbol	Rating	Commercial	Military	Unit
VTERM ⁽²⁾	Terminal Voltage with Respect to GND	–0.5 to +7.0	–0.5 to +7.0	V
VTERM ⁽³⁾	Terminal Voltage with Respect to GND	–0.5 to VCC +0.5	–0.5 to VCC +0.5	V
TA	Operating Temperature	0 to +70	–55 to +125	°C
TBIAS	Temperature Under Bias	–55 to +125	–65 to +135	°C
TSTG	Storage Temperature	–55 to +125	–65 to +150	°C
PT	Power Dissipation	0.5	0.5	W
IOUT	DC Output Current	–60 to +120	–60 to +120	mA

2537 lmk 03

NOTES:

- Stresses greater than those listed under ABSOLUTE MAXIMUM RATINGS may cause permanent damage to the device. This is a stress rating only and functional operation of the device at these or any other conditions above those indicated in the operational sections of this specification is not implied. Exposure to absolute maximum rating conditions for extended periods may affect reliability. No terminal voltage may exceed VCC by +0.5V unless otherwise noted.
- Input and VCC terminals only.
- Outputs and I/O terminals only.

CAPACITANCE (TA = +25°C, f = 1.0MHz)

Symbol	Parameter ⁽¹⁾	Conditions	Typ.	Max.	Unit
CIN	Input Capacitance	VIN = 0V	6	10	pF
COU	Output Capacitance	VOUT = 0V	8	12	pF

2537 lmk 04

NOTE:

- This parameter is measured at characterization but not tested.

DC ELECTRICAL CHARACTERISTICS OVER OPERATING RANGE

Following Conditions Apply Unless Otherwise Specified:

Commercial: $T_A = 0^\circ\text{C}$ to $+70^\circ\text{C}$, $V_{CC} = 5.0\text{V} \pm 5\%$; Military: $T_A = -55^\circ\text{C}$ to $+125^\circ\text{C}$, $V_{CC} = 5.0\text{V} \pm 10\%$

Symbol	Parameter	Test Conditions ⁽¹⁾		Min.	Typ. ⁽²⁾	Max.	Unit
V_{IH}	Input HIGH Level	Guaranteed Logic HIGH Level		2.0	—	—	V
V_{IL}	Input LOW Level	Guaranteed Logic LOW Level		—	—	0.8	V
I_{IH}	Input HIGH Current ⁽⁴⁾	$V_{CC} = \text{Max.}$	$V_I = 2.7\text{V}$	—	—	± 1	μA
I_{IL}	Input LOW Current ⁽⁴⁾		$V_I = 0.5\text{V}$	—	—	± 1	
I_{OZH}	High Impedance Output Current (3-State Output pins) ⁽⁴⁾	$V_{CC} = \text{Max.}$	$V_O = 2.7\text{V}$	—	—	± 1	μA
I_{OZL}			$V_O = 0.5\text{V}$	—	—	± 1	
I_I	Input HIGH Current ⁽⁴⁾	$V_{CC} = \text{Max.}, V_I = V_{CC} (\text{Max.})$		—	—	± 1	μA
V_{IK}	Clamp Diode Voltage	$V_{CC} = \text{Min.}, I_{IN} = -18\text{mA}$		—	-0.7	-1.2	V
V_H	Input Hysteresis	—		—	200	—	mV
I_{CC}	Quiescent Power Supply Current	$V_{CC} = \text{Max.}, V_{IN} = \text{GND or } V_{CC}$		—	0.01	1	mA

2537 Ink 05

OUTPUT DRIVE CHARACTERISTICS FOR FCT157/257T

Symbol	Parameter	Test Conditions ⁽¹⁾		Min.	Typ. ⁽²⁾	Max.	Unit
V_{OH}	Output HIGH Voltage	$V_{CC} = \text{Min.}$ $V_{IN} = V_{IH} \text{ or } V_{IL}$	$I_{OH} = -6\text{mA MIL.}$ $I_{OH} = -8\text{mA COM'L.}$	2.4	3.3	—	V
			$I_{OH} = -12\text{mA MIL.}$ $I_{OH} = -15\text{mA COM'L.}$	2.0	3.0	—	V
			$I_{OL} = 32\text{mA MIL.}$ $I_{OL} = 48\text{mA COM'L.}$	—	0.3	0.50	V
I_{OS}	Short Circuit Current	$V_{CC} = \text{Max.}, V_O = \text{GND}^{(3)}$		-60	-120	-225	mA
I_{OFF}	Input/Output Power Off Leakage ⁽⁵⁾	$V_{CC} = 0\text{V}, V_{IN} \text{ or } V_O \leq 4.5\text{V}$		—	—	± 1	μA

2537 tbl 06

OUTPUT DRIVE CHARACTERISTICS FOR FCT2257T

Symbol	Parameter	Test Conditions ⁽¹⁾		Min.	Typ. ⁽²⁾	Max.	Unit
I_{ODL}	Output LOW Current	$V_{CC} = 5\text{V}, V_{IN} = V_{IH} \text{ or } V_{IL}, V_{OUT} = 1.5\text{V}^{(3)}$		16	48	—	mA
I_{ODH}	Output HIGH Current	$V_{CC} = 5\text{V}, V_{IN} = V_{IH} \text{ or } V_{IL}, V_{OUT} = 1.5\text{V}^{(3)}$		-16	-48	—	mA
V_{OH}	Output HIGH Voltage	$V_{CC} = \text{Min.}$ $V_{IN} = V_{IH} \text{ or } V_{IL}$	$I_{OH} = -12\text{mA MIL.}$ $I_{OH} = -15\text{mA COM'L.}$	2.4	3.3	—	V
			$I_{OL} = 12\text{mA}$	—	0.3	0.50	V

2537 Ink 07

NOTES:

- For conditions shown as Max. or Min., use appropriate value specified under Electrical Characteristics for the applicable device type.
- Typical values are at $V_{CC} = 5.0\text{V}$, $+25^\circ\text{C}$ ambient.
- Not more than one output should be shorted at one time. Duration of the short circuit test should not exceed one second.
- The test limit for this parameter is $\pm 5\mu\text{A}$ at $T_A = -55^\circ\text{C}$.
- This parameter is guaranteed but not tested.

POWER SUPPLY CHARACTERISTICS

Symbol	Parameter	Test Conditions ⁽¹⁾			Min.	Typ. ⁽²⁾	Max.	Unit
ΔI_{CC}	Quiescent Power Supply Current TTL Inputs HIGH	$V_{CC} = \text{Max.}$ $V_{IN} = 3.4^{(3)}$			—	0.5	2.0	mA
I_{CCD}	Dynamic Power Supply Current ⁽⁴⁾	$V_{CC} = \text{Max.}$ Outputs Open \bar{E} or $\overline{OE} = \text{GND}$ One Bit Toggling 50% Duty Cycle	$V_{IN} = V_{CC}$ $V_{IN} = \text{GND}$	FCTxxxT	—	0.15	0.25	mA/ MHz
				FCT2xxxT	—	0.06	0.12	
I_C	Total Power Supply Current ⁽⁶⁾	$V_{CC} = \text{Max.}$ Outputs Open $f_o = 10\text{MHz}$ 50% Duty Cycle \bar{E} or $\overline{OE} = \text{GND}$ One Bit Toggling	$V_{IN} = V_{CC}$	FCTxxxT	—	1.5	3.5	mA
			$V_{IN} = \text{GND}$	FCT2xxxT	—	0.6	2.2	
			$V_{IN} = 3.4$	FCTxxxT	—	1.8	4.5	
			$V_{IN} = \text{GND}$	FCT2xxxT		0.9	3.2	
		$V_{CC} = \text{Max.}$ Outputs Open $f_o = 2.5\text{MHz}$ 50% Duty Cycle \bar{E} or $\overline{OE} = \text{GND}$ Four Bits Toggling	$V_{IN} = V_{CC}$	FCTxxxT	—	1.5	3.5 ⁽⁵⁾	
			$V_{IN} = \text{GND}$	FCT2xxxT		0.6	2.2 ⁽⁵⁾	
			$V_{IN} = 3.4$	FCTxxxT		2.5	7.5 ⁽⁵⁾	
			$V_{IN} = \text{GND}$	FCT2xxxT		1.6	6.2 ⁽⁵⁾	

2537 tbl 06

NOTES:

- For conditions shown as Max. or Min., use appropriate value specified under Electrical Characteristics for the applicable device type.
- Typical values are at $V_{CC} = 5.0\text{V}$, $+25^\circ\text{C}$ ambient.
- Per TTL driven input ($V_{IN} = 3.4\text{V}$); all other inputs at V_{CC} or GND .
- This parameter is not directly testable, but is derived for use in Total Power Supply calculations.
- Values for these conditions are examples of the I_{CC} formula. These limits are guaranteed but not tested.
- $I_C = I_{QUIESCENT} + I_{INPUTS} + I_{DYNAMIC}$
 $I_C = I_{CC} + \Delta I_{CC} D_H N_T + I_{CCD} (f_o N_o)$
 $I_{CC} = \text{Quiescent Current}$
 $\Delta I_{CC} = \text{Power Supply Current for a TTL High Input } (V_{IN} = 3.4\text{V})$
 $D_H = \text{Duty Cycle for TTL Inputs High}$
 $N_T = \text{Number of TTL Inputs at } D_H$
 $I_{CCD} = \text{Dynamic Current Caused by an Output Transition Pair (HLH or LHL)}$
 $f_o = \text{Output Frequency}$
 $N_o = \text{Number of Outputs at } f_o$
 All currents are in milliamps and all frequencies are in megahertz.

SWITCHING CHARACTERISTICS OVER OPERATING RANGE - FCT157T

Symbol	Parameter	Condition ⁽¹⁾	FCT157T				FCT157AT				Unit
			Com'l.		Mil.		Com'l.		Mil.		
			Min. ⁽²⁾	Max.	Min. ⁽²⁾	Max.	Min. ⁽²⁾	Max.	Min. ⁽²⁾	Max.	
tPLH tPHL	Propagation Delay I _N to Z _N	CL = 50pF RL = 500Ω	1.5	6.0	1.5	7.0	1.5	5.0	1.5	5.8	ns
tPLH tPHL	Propagation Delay \bar{E} to Z _N		1.5	10.5	1.5	12.0	1.5	6.0	1.5	7.4	ns
tPLH tPHL	Propagation Delay S to Z _N		1.5	10.5	1.5	12.0	1.5	7.0	1.5	8.1	ns

2537 tbl 07

Symbol	Parameter	Condition ⁽¹⁾	FCT157CT				FCT157DT				Unit
			Com'l.		Mil.		Com'l.		Mil.		
			Min. ⁽²⁾	Max.	Min. ⁽²⁾	Max.	Min. ⁽²⁾	Max.	Min. ⁽²⁾	Max.	
tPLH tPHL	Propagation Delay I _N to Z _N	CL = 50pF RL = 500Ω	1.5	4.3	1.5	5.0	1.5	3.9	—	—	ns
tPLH tPHL	Propagation Delay \bar{E} to Z _N		1.5	4.8	1.5	5.9	1.5	4.4	—	—	ns
tPLH tPHL	Propagation Delay S to Z _N		1.5	5.2	1.5	6.0	1.5	4.6	—	—	ns

2537 tbl 08

SWITCHING CHARACTERISTICS OVER OPERATING RANGE – FCT257/2257T

Symbol	Parameter	Condition ⁽¹⁾	FCT257/2257T				FCT257/2257AT				Unit
			Com'l.		Mil.		Com'l.		Mil.		
			Min. ⁽²⁾	Max.	Min. ⁽²⁾	Max.	Min. ⁽²⁾	Max.	Min. ⁽²⁾	Max.	
tPLH tPHL	Propagation Delay I _N to Z _N	CL = 50pF RL = 500Ω	1.5	6.0	1.5	7.0	1.5	5.0	1.5	5.8	ns
tPLH tPHL	Propagation Delay S to Z _N		1.5	10.5	1.5	12.0	1.5	7.0	1.5	8.1	ns
tPZH tPZL	Output Enable Time		1.5	8.5	1.5	10.0	1.5	7.0	1.5	8.0	ns
tPHZ tPLZ	Output Disable Time		1.5	6.0	1.5	8.0	1.5	5.5	1.5	5.8	ns

2537 tbl 09

Symbol	Parameter	Condition ⁽¹⁾	FCT257/2257CT				FCT257DT				Unit
			Com'l.		Mil.		Com'l.		Mil.		
			Min. ⁽²⁾	Max.	Min. ⁽²⁾	Max.	Min. ⁽²⁾	Max.	Min. ⁽²⁾	Max.	
tPLH tPHL	Propagation Delay I _N to Z _N	CL = 50pF RL = 500Ω	1.5	4.3	1.5	5.0	1.5	3.9	—	—	ns
tPLH tPHL	Propagation Delay S to Z _N		1.5	5.2	1.5	6.0	1.5	4.4	—	—	ns
tPZH tPZL	Output Enable Time		1.5	6.0	1.5	6.8	1.5	4.4	—	—	ns
tPHZ tPLZ	Output Disable Time		1.5	5.0	1.5	5.3	1.5	4.4	—	—	ns

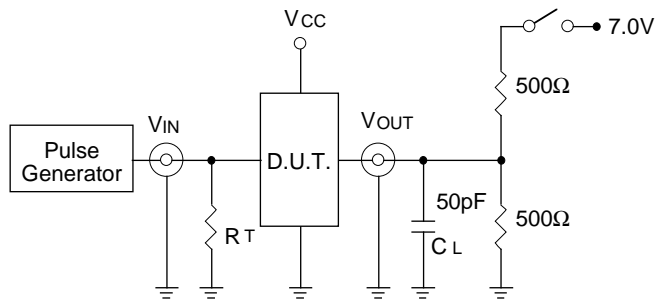
2537 tbl 10

NOTES:

1. See test circuits and waveforms.
2. Minimum limits are guaranteed but not tested on Propagation Delay.

TEST CIRCUITS AND WAVEFORMS

TEST CIRCUITS FOR ALL OUTPUTS



2537 drw 04

SWITCH POSITION

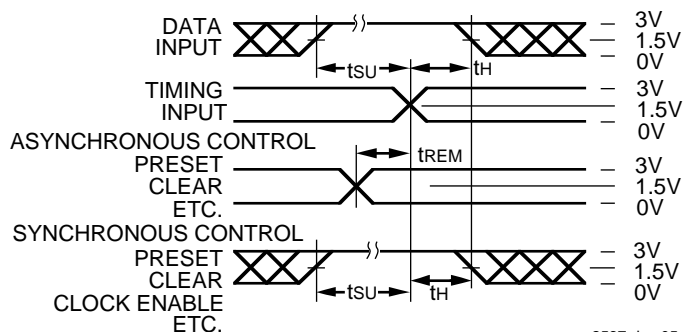
Test	Switch
Open Drain Disable Low Enable Low	Closed
All Other Tests	Open

DEFINITIONS:

CL = Load capacitance: includes jig and probe capacitance.
RT = Termination resistance: should be equal to ZOUT of the Pulse Generator.

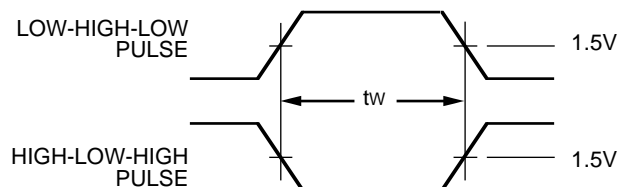
2537 Ink 11

SET-UP, HOLD AND RELEASE TIMES



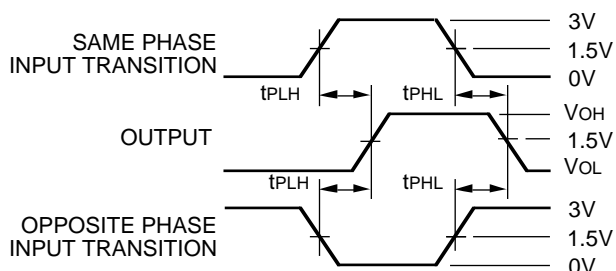
2537 drw 05

PULSE WIDTH



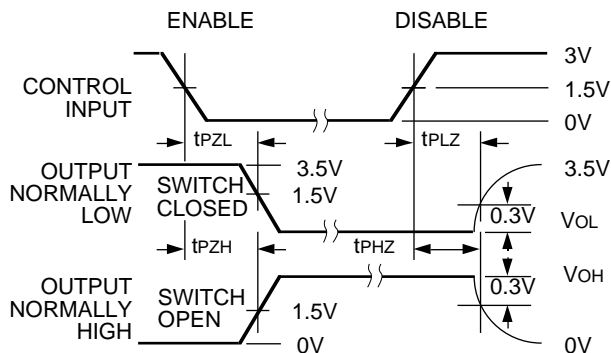
2537 drw 06

PROPAGATION DELAY



2537 drw 07

ENABLE AND DISABLE TIMES

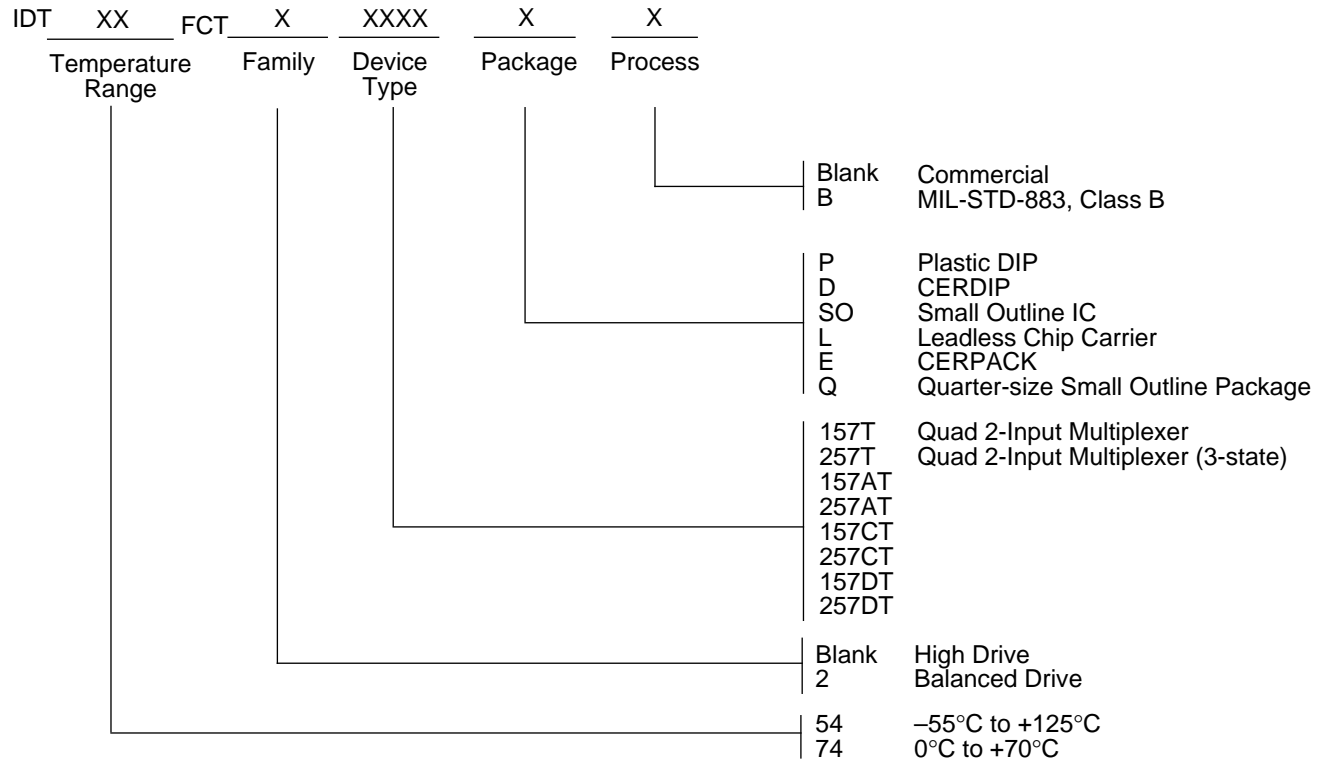


2537 drw 08

NOTES:

- Diagram shown for input Control Enable-LOW and input Control Disable-HIGH
- Pulse Generator for All Pulses: Rate \leq 1.0MHz; $t_f \leq$ 2.5ns; $t_r \leq$ 2.5ns

ORDERING INFORMATION



2537 drw 09