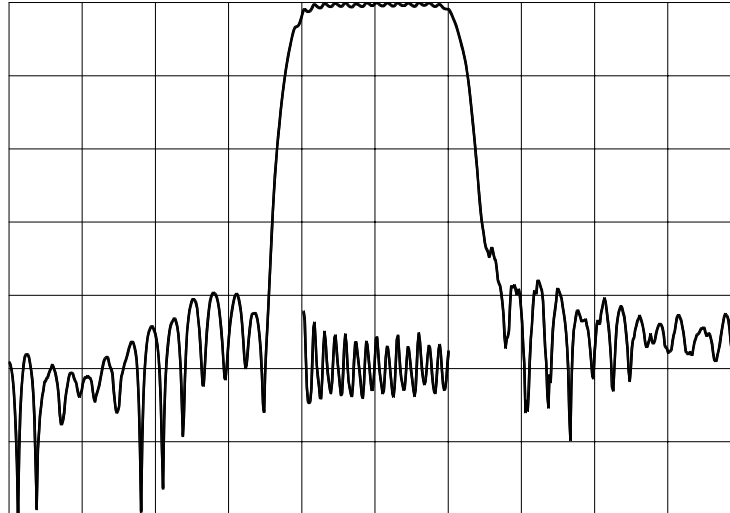




TYPICAL PERFORMANCE

PRELIMINARY



Horizontal: 10 MHz/div

Vertical (from top):

Magnitude

10 dB/div

Group Delay Deviation

50 ns/div

SPECIFICATION

Parameter	Min	Typ	Max	Units
Center Frequency (Fc)		280		MHz
Insertion Loss ¹			10	dB
Lower 3 dB Frequency			271.5	MHz
Upper 3 dB Frequency	288.5			MHz
Passband Ripple ²			2	dB
Group Delay Variation ²			100	ns
Rejection				
Fc-60 to Fc-40 MHz	40			dB
Fc-40 to Fc-22 MHz	38			dB
Fc-22 to Fc-16 MHz	30			dB
Fc+16 to Fc+22 MHz	25			dB
Fc+22 to Fc+40 MHz	34			dB
Fc+40 to Fc+60 MHz	40			dB
Substrate		LiNbO ₃		-
Operating Temperature Range ³	-10	25	85	°C
System Source and Load Impedance		50		Ω

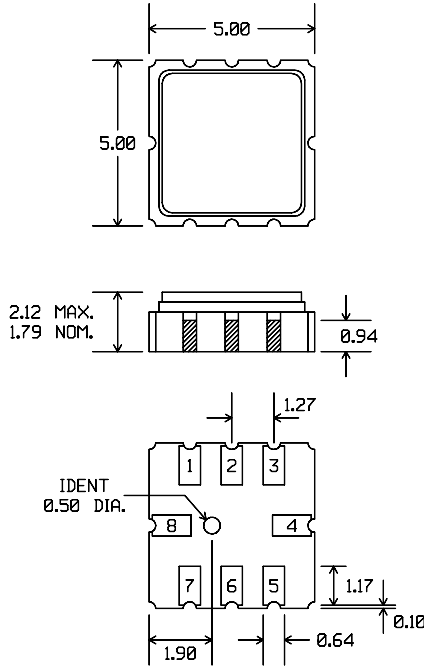
Notes: 1. Measured at Fc MHz.

2. Evaluated over 271.5-288.5 MHz.

3. Limits to be met over operating temperature range. Production test to use appropriate guard bands.

PACKAGE OUTLINE

PRELIMINARY

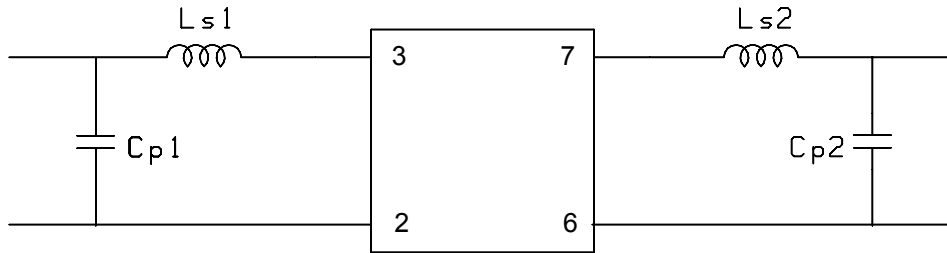


Units: mm

Pin Configuration:

Input: 3
Input Return: 2
Output: 7
Output Return: 6
Ground: 1,4,5,8

MATCHING CIRCUIT



Component values in 50 Ω :
(Minimum Q = 40)

$L_{s1} = 56$ nH
 $C_{p1} = 10$ pF

$L_{s2} = 47$ nH
 $C_{p2} = 8$ pF

PRELIMINARY

Notes

- Optimum component values may change depending on board layout. The values shown here are intended as a guide only.

ISO 9001
Registered