



MK3720

27 MHz and 54 MHz 3.3 Volt VCXO

Description

The MK3720 is a low cost, low jitter, high performance 3.3 Volt VCXO and PLL clock synthesizer designed to replace expensive 13.5, 27, or 54MHz VCXOs. The patented on-chip Voltage Controlled Crystal Oscillator accepts a 0 to 3.3 V input voltage to cause the output clocks to vary by ± 100 ppm. Using our patented VCXO and analog/digital Phase-Locked Loop (PLL) techniques, the device uses an inexpensive external 13.5 MHz pullable crystal input to produce output clocks of 13.5 MHz, 27 MHz, and 54 MHz .

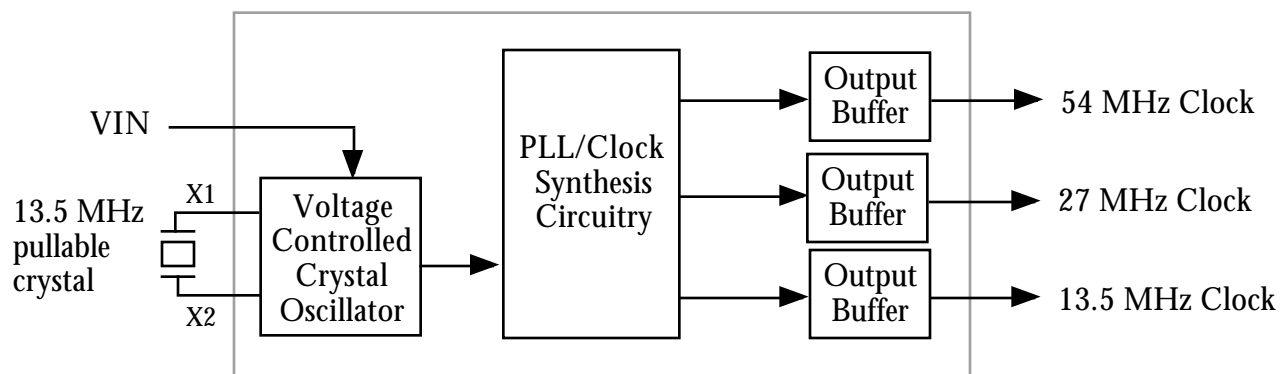
The MK3720A is a drop-in replacement to the earlier MK3720S.

Features



- Packaged in 8 pin SOIC
- 3.3 V only operating voltage
- Output clocks of 54, 27, and 13.5MHz
- Uses an inexpensive 13.500 MHz external crystal
- On-chip patented VCXO with pull range of 200ppm (minimum)
- VCXO tuning voltage of 0 to 3.3 V
- 12 mA output drive capability at TTL levels
- Advanced, low power, sub-micron CMOS process
- The A version is the latest, manufactured in a smaller geometry process. The MK3720A gives a wider pull range than the MK3720S, and so is recommended for all new designs, and cost reductions of existing designs.

Block Diagram

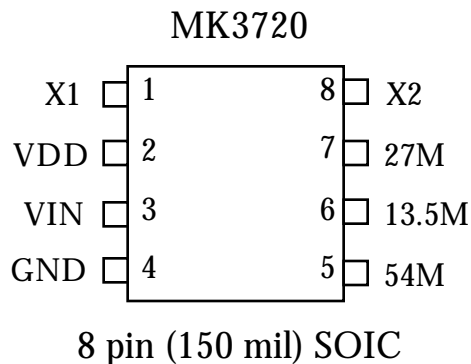




MK3720

27 MHz and 54 MHz 3.3 Volt VCXO

Pin Assignment



Pin Descriptions

Number	Name	Description
1	X1	Crystal connection. Connect to a pullable 13.5 MHz crystal.
2	VDD	VDD. Connect to +3.3 V.
3	VIN	Voltage input to VCXO. Zero to 3.3 V analog input which controls the frequency of the VCXO.
4	GND	Connect to ground.
5	54M	54 MHz VCXO clock output.
6	13.5M	13.5 MHz VCXO clock output.
7	27M	27 MHz VCXO clock output.
8	X2	Crystal connection. Connect to a pullable 13.5 MHz crystal.

Pullable Crystal Specifications:

Correlation (load) Capacitance	14 pF
C0/C1	240 max
ESR	35 max
Operating Temperature	0 to 70 °C
Initial Accuracy	±20 ppm
Temperature plus Aging Stability	±50 ppm



MK3720

27 MHz and 54 MHz 3.3 Volt VCXO

Electrical Specifications

Parameter	Conditions	Minimum	Typical	Maximum	Units
ABSOLUTE MAXIMUM RATINGS (note 1)					
Supply voltage, VDD	Referenced to GND			7	V
Inputs and Clock Outputs	Referenced to GND	-0.5		VDD+0.5	V
Ambient Operating Temperature		0		70	°C
Soldering Temperature	Max of 10 seconds			260	°C
Storage temperature		-65		150	°C
DC CHARACTERISTICS (VDD = 3.3 V unless noted)					
Operating Voltage, VDD		3.15		3.45	V
Output High Voltage, VOH	IOH=-12mA	2.4			V
Output Low Voltage, VOL	IOL=12mA			0.4	V
Output High Voltage, VOH, CMOS level	IOH=-4mA	VDD-0.4			V
Operating Supply Current, IDD	No Load		11		mA
Short Circuit Current			±50		mA
VIN, VCXO control voltage		0		3.3	V
AC CHARACTERISTICS (VDD = 3.3 V unless noted)					
Input Crystal Frequency			13.50000		MHz
Output Clock Rise Time	0.8 to 2.0V			1.5	ns
Output Clock Fall Time	2.0 to 0.8V			1.5	ns
Output Clock Duty Cycle	At 1.4V	45	50	55	%
Maximum Absolute Jitter, short term			100		ps
Output pullability, note 2	0V VIN 3.3 V	±100			ppm

- Notes: 1. Stresses beyond those listed under Absolute Maximum Ratings could cause permanent damage to the device. Prolonged exposure to levels above the operating limits but below the Absolute Maximums may affect device reliability.
 2. With an ICS approved pullable crystal. The MK3720A has a typical pull range of ±180 ppm.

External Components

The MK3720 requires a minimum number of external components for proper operation. A decoupling capacitor of 0.01µF should be connected between VDD and GND on pins 2 and 4, as close to the MK3720 as possible. A series termination resistor of 33 Ω may be used for the clock output. The input crystal must be connected as close to the chip as possible. The input crystal should be a parallel mode, pullable, AT cut, 13.5 MHz, with 14 pF load capacitance. Consult ICS for recommended suppliers. **IMPORTANT** - read application note MAN05 before laying out the PCB.



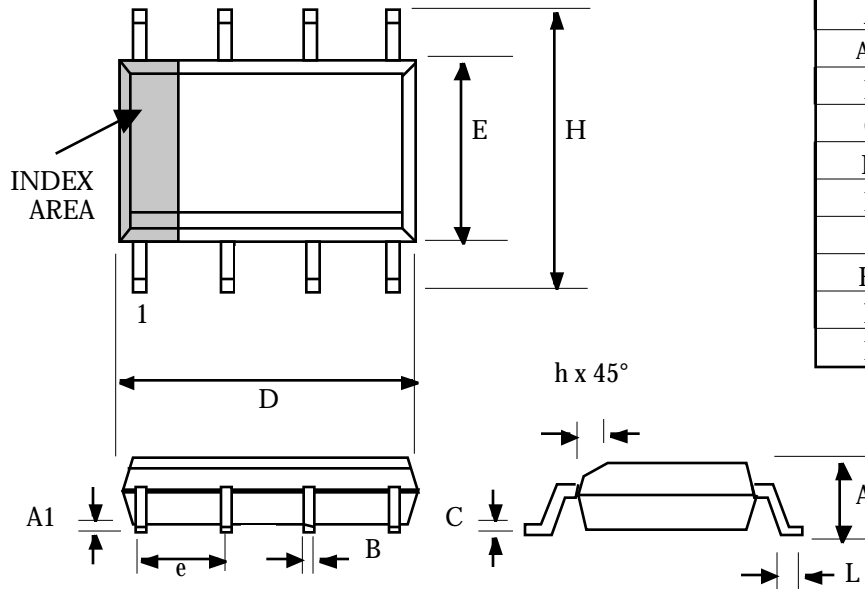
MK3720

27 MHz and 54 MHz 3.3 Volt VCXO

Package Outline and Package Dimensions

(For current dimensional specifications, see JEDEC Publication No. 95.)

8 pin SOIC



Symbol	Inches		Millimeters	
	Min	Max	Min	Max
A	0.0532	0.0688	1.35	1.75
A1	0.0040	0.0098	0.10	0.24
B	0.0130	0.0200	0.33	0.51
C	0.0075	0.0098	0.19	0.24
D	0.1890	0.1968	4.80	5.00
E	0.1497	0.1574	3.80	4.00
e	.050 BSC		1.27 BSC	
H	0.2284	0.2440	5.80	6.20
h	0.0099	0.0195	0.25	0.50
L	0.0160	0.0500	0.41	1.27

Ordering Information

Part/Order Number	Marking	Shipping packaging	Package	Temperature
MK3720A	MK3720A	tubes	8 pin SOIC	0-70 °C
MK3720ATR	MK3720A	Tape and reel	8 pin SOIC	0-70 °C
MK3720S	MK3720S	tubes	8 pin SOIC	0-70 °C
MK3720STR	MK3720S	Tape and reel	8 pin SOIC	0-70 °C

CHANGE HISTORY

Version	Date first published	Status	Comments
D	5/31/00		Added A version
C	12/29/99	Released	Changed to JEDEC dimensions. Changed VDD to ±5%. Added Crystal specs.
B	5/25/99	Preliminary	Updated specs for crystal capacitance, IDD, jitter.
A	4/19/99	Preliminary	Original

While the information presented herein has been checked for both accuracy and reliability, Integrated Circuit Systems, Inc. (ICS) assumes no responsibility for either its use or for the infringement of any patents or other rights of third parties, which would result from its use. No other circuits, patents, or licenses are implied. This product is intended for use in normal commercial applications. Any other applications such as those requiring extended temperature range, high reliability, or other extraordinary environmental requirements are not recommended without additional processing by ICS. ICS reserves the right to change any circuitry or specifications without notice. ICS does not authorize or warrant any ICS product for use in life support devices or critical medical instruments.