



Integrated  
Circuit  
Systems, Inc.

**PRELIMINARY**

**ICS873034**

LOW SKEW, ÷2, ÷4, ÷8 DIFFERENTIAL-TO-  
2.5V, 3.3V LVPECL/ECL CLOCK GENERATOR

**GENERAL DESCRIPTION**

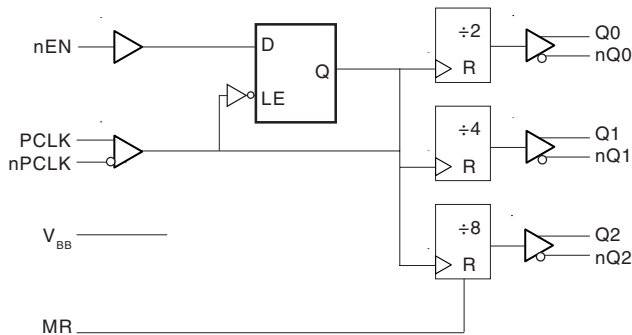


The ICS873034 is a low skew, high performance Differential-to-2.5V, 3.3V LVPECL/ECL Clock Generator and a member of the HiPerClockS™ family of High Performance Clock Solutions from ICS. The ICS873034 is characterized to operate from either a 2.5V or a 3.3V power supply. Guaranteed output and part-to-part skew characteristics make the ICS873034 ideal for those clock distribution applications demanding well defined performance and repeatability.

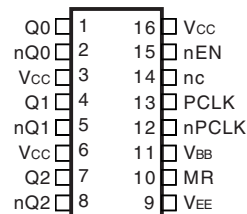
**FEATURES**

- 3 differential 2.5V, 3.3V LVPECL / ECL output
- 1 differential PCLK, nPCLK input pair
- PCLK, nPCLK pair can accept the following differential input levels: LVPECL, LVDS, CML, SSTL
- Input frequency: 3.5GHz
- Translates any single ended input signal to 3.3V LVPECL levels with resistor bias on nPCLK input
- LVPECL mode operating voltage supply range:  $V_{CC} = 2.375V$  to  $3.8V$ ,  $V_{EE} = 0V$
- ECL mode operating voltage supply range:  $V_{CC} = 0V$ ,  $V_{EE} = -3.8V$  to  $-2.375V$
- $-40^{\circ}C$  to  $85^{\circ}C$  ambient operating temperature
- Pin compatible with MC100LVEP34

**BLOCK DIAGRAM**



**PIN ASSIGNMENT**



**ICS873034**

**16-Lead SOIC, 300MIL**

7.5mm x 10.3mm x 2.3mm package body

**M Package**  
Top View

**ICS873034**

**16-Lead TSSOP**

4.4mm x 3.0mm x 0.92mm package body

**G Package**  
Top View

The Preliminary Information presented herein represents a product in prototyping or pre-production. The noted characteristics are based on initial product characterization. Integrated Circuit Systems, Incorporated (ICS) reserves the right to change any circuitry or specifications without notice.



**TABLE 1. PIN DESCRIPTIONS**

Number	Name	Type		Description
1, 2	Q0, nQ0	Output		Differential output pair. LVPECL interface levels.
3, 6, 16	V <sub>CC</sub>	Power		Power supply pins.
4, 5	Q1, nQ1	Output		Differential output pair. LVPECL interface levels.
7, 8	Q2, nQ2	Output		Differential output pair. LVPECL interface levels.
9	V <sub>EE</sub>	Power		Negative supply pin.
10	MR	Input	Pulldown	Active High Master Reset. When logic HIGH, the internal dividers are reset causing the true outputs Qx to go low and the inverted outputs nQx to go high. When logic LOW, the internal dividers and the outputs are enabled. LVCMOS/LVTTL interface levels.
11	V <sub>BB</sub>	Output		Bias voltage.
12	nPCLK	Input	Pullup/ Pulldown	Clock input. Defaults to V <sub>CC</sub> /2 (.66) when left open. LVPECL interface levels.
13	PCLK	Input	Pulldown	Clock input. Default LOW when left floating. LVPECL interface levels.
14	nc	Unused		No connect.
15	nEN	Input	Pulldown	Synchronizing clock enable. When LOW, clock outputs follow clock input. When HIGH, Q outputs are forced LOW, nQ outputs are forced HIGH. LVTTTL / LVCMOS interface levels.

NOTE: *Pullup and Pulldown* refer to internal input resistors. See Table 2, Pin Characteristics, for typical values.

**TABLE 2. PIN CHARACTERISTICS**

Symbol	Parameter	Test Conditions	Minimum	Typical	Maximum	Units
R <sub>PULLDOWN</sub>	Input Pulldown Resistor			75		KΩ
R <sub>PULLUP</sub>	Input Pullup Resistor			37.5		KΩ

**TABLE 3. TRUTH TABLE**

Inputs			Function
PCLK	nEN	MR	
Z	L	L	Divide
ZZ	H	L	Hold Q0:Q2
X	X	H	Reset Q0:Q2

Z = LOW to HIGH transition  
ZZ = HIGH to LOW transition



Integrated  
Circuit  
Systems, Inc.

**PRELIMINARY**

**ICS873034**

LOW SKEW, ÷2, ÷4, ÷8 DIFFERENTIAL-TO-  
2.5V, 3.3V LVPECL/ECL CLOCK GENERATOR

**ABSOLUTE MAXIMUM RATINGS**

Supply Voltage, $V_{CC}$	4.6V (LVPECL mode, $V_{EE} = 0$ )
Negative Supply Voltage, $V_{EE}$	-4.6V (ECL mode, $V_{CC} = 0$ )
Inputs, $V_I$ (LVPECL mode)	-0.5V to $V_{CC} + 0.5V$
Inputs, $V_I$ (ECL mode)	0.5V to $V_{EE} - 0.5V$
Outputs, $I_O$	
Continuous Current	50mA
Surge Current	100mA
$V_{BB}$ Sink/Source, $I_{BB}$	$\pm 0.5mA$
Operating Temperature Range, $T_A$	-40°C to +85°C
Storage Temperature, $T_{STG}$	-65°C to 150°C
Package Thermal Impedance, $\theta_{JA}$	90°C/W (0 lfpm) (Junction-to-Ambient) for 16 Lead SOIC
Package Thermal Impedance, $\theta_{JA}$	89°C/W (0 lfpm) (Junction-to-Ambient) for 16 Lead TSSOP

**NOTE:** Stresses beyond those listed under Absolute Maximum Ratings may cause permanent damage to the device. These ratings are stress specifications only. Functional operation of product at these conditions or any conditions beyond those listed in the *DC Characteristics* or *AC Characteristics* is not implied. Exposure to absolute maximum rating conditions for extended periods may affect product reliability.

**TABLE 4A. POWER SUPPLY DC CHARACTERISTICS,  $V_{CC} = 2.375V$  TO  $3.8V$ ;  $V_{EE} = 0V$**

Symbol	Parameter	Test Conditions	Minimum	Typical	Maximum	Units
$V_{CC}$	Positive Supply Voltage		2.375	3.3	3.8	V
$I_{EE}$	Power Supply Current			40		mA

**TABLE 4B. LVPECL DC CHARACTERISTICS,  $V_{CC} = 3.3V$ ;  $V_{EE} = 0V$**

Symbol	Parameter	-40°C			25°C			85°C			Units
		Min	Typ	Max	Min	Typ	Max	Min	Typ	Max	
$V_{OH}$	Output High Voltage; NOTE 1		2.275			2.295			2.33		V
$V_{OL}$	Output Low Voltage; NOTE 1		1.545			1.52			1.535		V
$V_{IH}$	Input High Voltage (Single-ended)	2.075		2.36	2.075		2.36	2.075		2.36	V
$V_{IL}$	Input Low Voltage (Single-ended)	1.43		1.765	1.43		1.765	1.43		1.765	V
$V_{BB}$	Output Voltage Reference	1.86		1.98	1.86		1.98	1.86		1.98	V
$V_{PP}$	Peak-to-Peak Input Voltage		800			800			800		V
$V_{CMR}$	Input High Voltage Common Mode Range; NOTE 2, 3										V
$I_{IH}$	Input High Current			150			150			150	$\mu A$
$I_{IL}$	Input Low Current		-10			-10			-10		$\mu A$

Input and output parameters vary 1:1 with  $V_{CC}$ .  $V_{EE}$  can vary +0.925V to -0.5V.

NOTE 1: Outputs terminated with 50Ω to  $V_{CC} - 2V$ .

NOTE 2: Common mode voltage is defined as  $V_{IH}$ .

NOTE 3: For single-ended applications, the maximum input voltage for PCLK, nPCLK is  $V_{CC} + 0.3V$ .



**TABLE 4C. LVPECL DC CHARACTERISTICS,  $V_{CC} = 2.5V$ ;  $V_{EE} = 0V$**

Symbol	Parameter	-40°C			25°C			85°C			Units
		Min	Typ	Max	Min	Typ	Max	Min	Typ	Max	
$V_{OH}$	Output High Voltage; NOTE 1		1.475			1.495			1.53		V
$V_{OL}$	Output Low Voltage; NOTE 1		0.745			0.72			0.735		V
$V_{IH}$	Input High Voltage (Single-Ended)	1.275		1.56	1.275		1.56	1.275		1.56	V
$V_{IL}$	Input Low Voltage (Single-Ended)	0.63		0.965	0.63		0.965	0.63		0.965	V
$V_{PP}$	Peak-to-Peak Input Voltage		800			800			800		mV
$V_{CMR}$	Input High Voltage Common Mode Range; NOTE 2, 3	1.2			1.2			1.2			V
$I_{IH}$	Input High Current	PCLK, nPCLK					150			150	μA
$I_{IL}$	Input Low Current	PCLK, nPCLK		-10			-10			-10	μA

Input and output parameters vary 1:1 with  $V_{CC}$ .  $V_{EE}$  can vary +0.925V to -0.5V.

NOTE 1: Outputs terminated with 50Ω to  $V_{CC} - 2V$ .

NOTE 2: Common mode voltage is defined as  $V_{IH}$ .

NOTE 3: For single-ended applications, the maximum input voltage for PCLK, nPCLK is  $V_{CC} + 0.3V$ .

**TABLE 4D. ECL DC CHARACTERISTICS,  $V_{CC} = 0V$ ;  $V_{EE} = -3.8V$  TO  $-2.375V$**

Symbol	Parameter	-40°C			25°C			85°C			Units
		Min	Typ	Max	Min	Typ	Max	Min	Typ	Max	
$V_{OH}$	Output High Voltage; NOTE 1		-1.025			-1.005			-1.005		V
$V_{OL}$	Output Low Voltage; NOTE 1		-1.755			-1.78			-1.765		V
$V_{PP}$	Peak-to-Peak Input Voltage		800			800			800		V
$V_{CMR}$	Input High Voltage Common Mode Range; NOTE 2, 3	$V_{EE}+1.2V$		0	$V_{EE}+1.2V$		0	$V_{EE}+1.2V$		0	V
$I_{IH}$	Input High Current	PCLK, nPCLK					150			150	μA
$I_{IL}$	Input Low Current	PCLK, nPCLK		-10			-10			-10	μA

NOTE 1: Outputs terminated with 50Ω to  $V_{CC} - 2V$ .

NOTE 2: Common mode voltage is defined as  $V_{IH}$ .

NOTE 3: For single-ended applications, the maximum input voltage for PCLK, nPCLK is  $V_{CC} + 0.3V$ .



Integrated  
Circuit  
Systems, Inc.

# PRELIMINARY

## ICS873034

### LOW SKEW, ÷2, ÷4, ÷8 DIFFERENTIAL-TO- 2.5V, 3.3V LVPECL/ECL CLOCK GENERATOR

**TABLE 5. AC CHARACTERISTICS,  $V_{CC} = 0V$ ;  $V_{EE} = -3.8V$  TO  $-2.375V$  OR  $V_{CC} = 2.375V$  TO  $3.8V$ ;  $V_{EE} = 0V$**

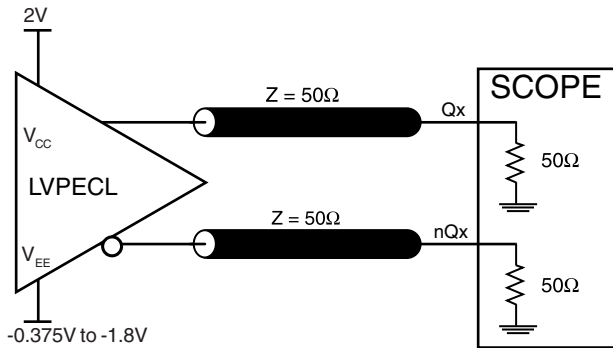
Symbol	Parameter	-40°C			25°C			85°C			Units
		Min	Typ	Max	Min	Typ	Max	Min	Typ	Max	
$f_{MAX}$	Input Frequency		3.5			3.5			3.5		GHz
$t_{PD}$	Propagation Delay; NOTE 1		530			560			610		ps
$t_{RR}$	Set/Reset Recovery		320			320			320		ps
$t_S$	Setup Time		50			50			50		ps
$t_H$	Hold Time		100			100			100		ps
$t_R/t_F$	Output Rise/Fall Time	20% to 80%	170			180			200		ps
odc	Output Duty Cycle		50			50			50		%

All parameters are measured at  $f \leq 1GHz$ , unless otherwise noted.

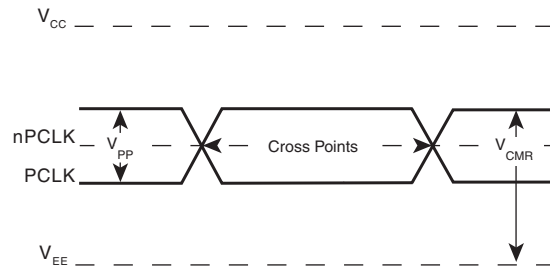
NOTE 1: Measured from the differential input crossing point to the differential output crossing point.



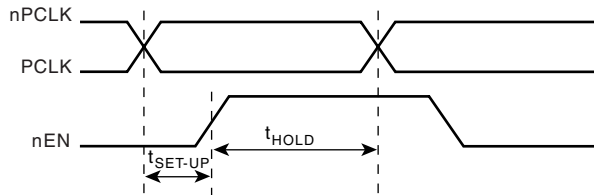
**PARAMETER MEASUREMENT INFORMATION**



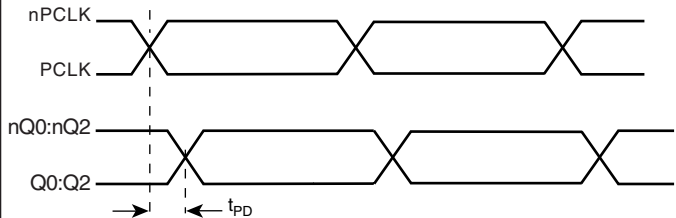
**OUTPUT LOAD AC TEST CIRCUIT**



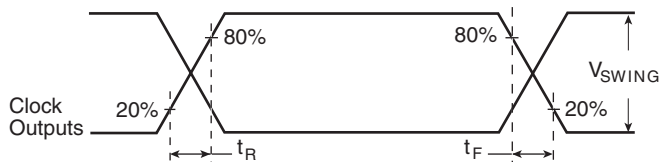
**DIFFERENTIAL INPUT LEVEL**



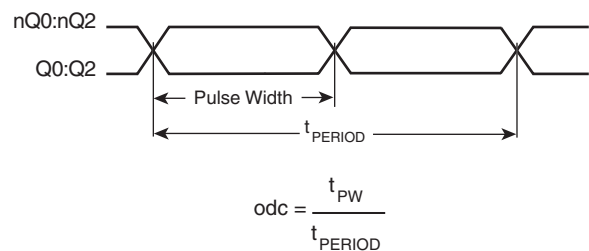
**SETUP AND HOLD TIME**



**PROPAGATION DELAY**



**OUTPUT RISE/FALL TIME**



**OUTPUT DUTY CYCLE/PULSE WIDTH/PERIOD**

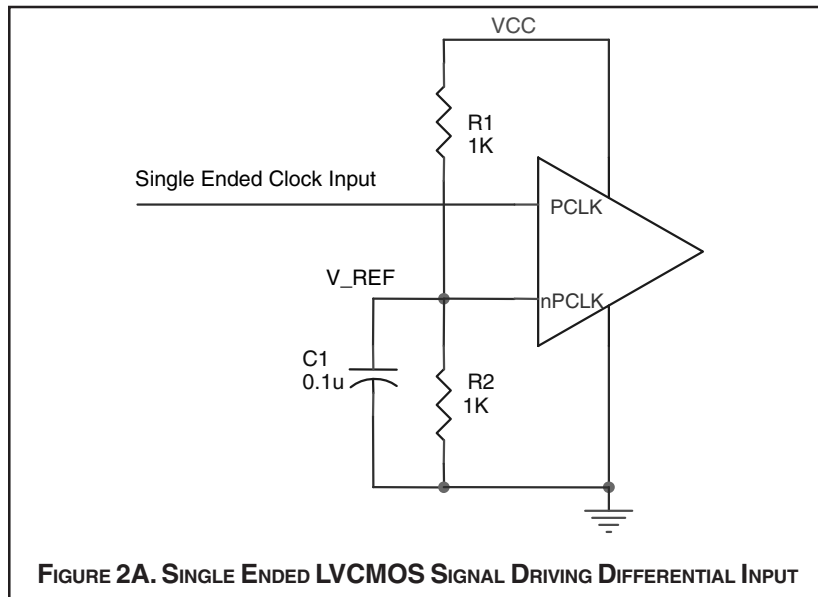


**APPLICATION INFORMATION**

**WIRING THE DIFFERENTIAL INPUT TO ACCEPT SINGLE ENDED LVCMOS LEVELS**

Figure 2A shows an example of the differential input that can be wired to accept single ended LVCMOS levels. The reference voltage level  $V_{BB}$  generated from the device is connected to

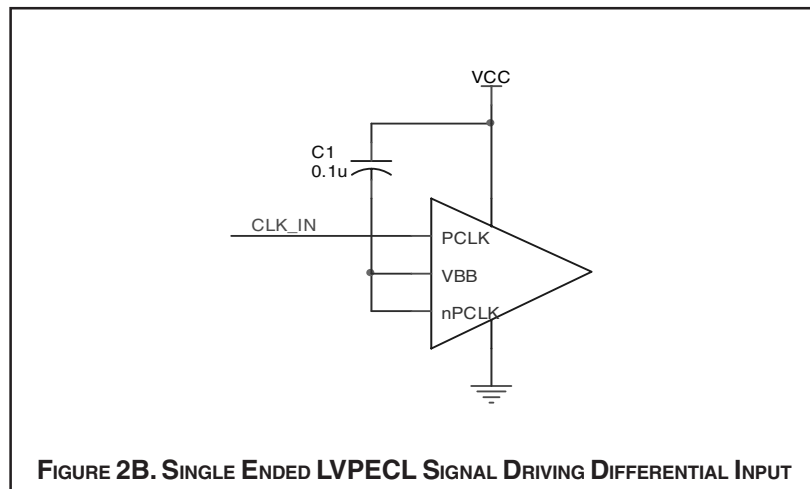
the negative input. The C1 capacitor should be located as close as possible to the input pin.



**WIRING THE DIFFERENTIAL INPUT TO ACCEPT SINGLE ENDED LVPECL LEVELS**

Figure 2B shows an example of the differential input that can be wired to accept single ended LVPECL levels. The reference voltage level  $V_{BB}$  generated from the device is connected to

the negative input.



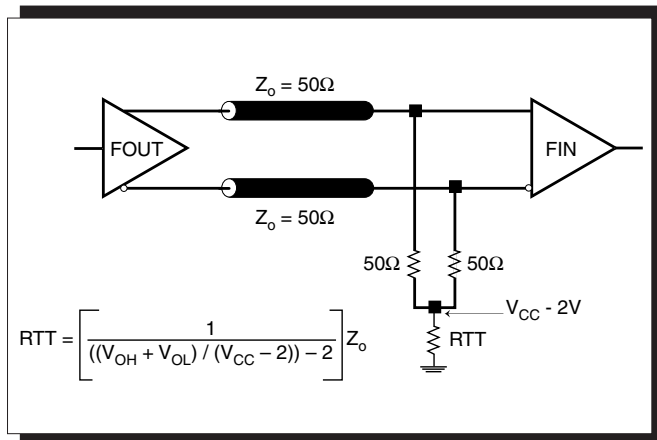


**TERMINATION FOR 3.3V LVPECL OUTPUTS**

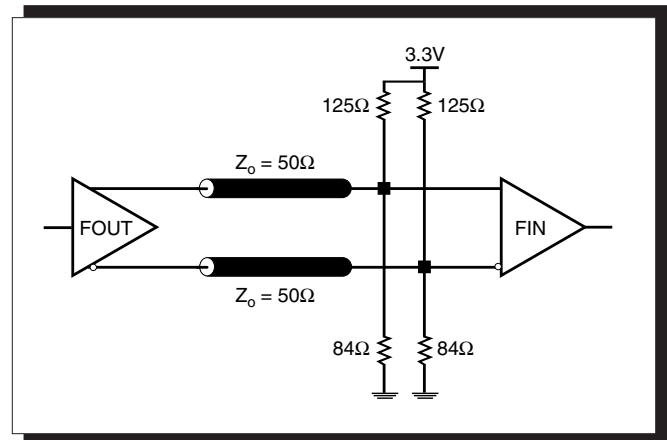
The clock layout topology shown below is a typical termination for LVPECL outputs. The two different layouts mentioned are recommended only as guidelines.

FOUT and nFOUT are low impedance follower outputs that generate ECL/LVPECL compatible outputs. Therefore, terminating resistors (DC current path to ground) or current sources must be used for functionality. These outputs are designed to drive

50Ω transmission lines. Matched impedance techniques should be used to maximize operating frequency and minimize signal distortion. *Figures 3A and 3B* show two different layouts which are recommended only as guidelines. Other suitable clock layouts may exist and it would be recommended that the board designers simulate to guarantee compatibility across all printed circuit and clock component process variations.



**FIGURE 3A. LVPECL OUTPUT TERMINATION**



**FIGURE 3B. LVPECL OUTPUT TERMINATION**

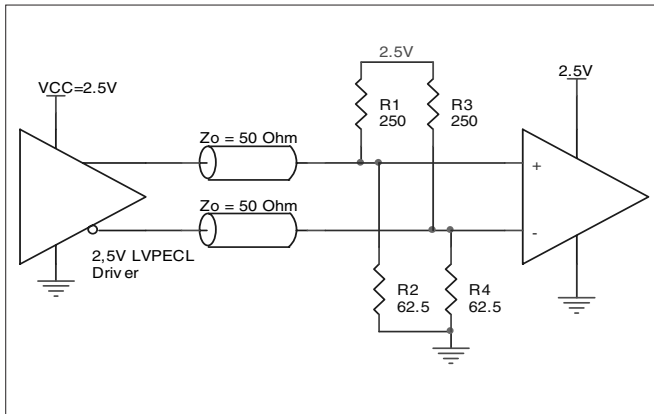




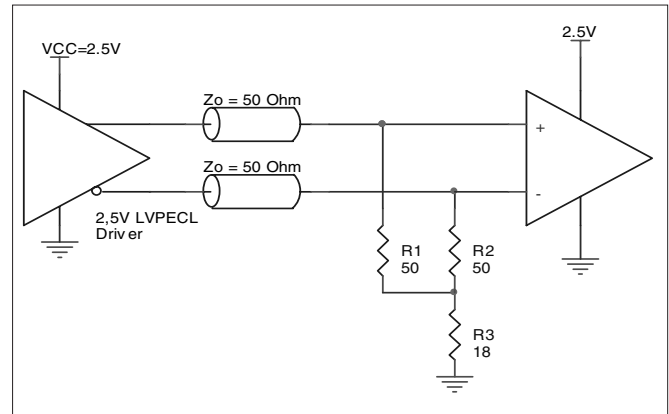
**TERMINATION FOR 2.5V LVPECL OUTPUT**

Figure 4A and Figure 4B show examples of termination for 2.5V LVPECL driver. These terminations are equivalent to terminating 50Ω to  $V_{CC} - 2V$ . For  $V_{CC} = 2.5V$ , the  $V_{CC} - 2V$  is very close to

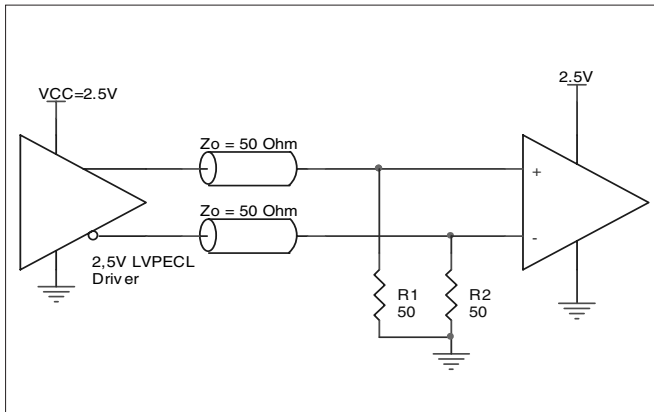
ground level. The R3 in Figure 4B can be eliminated and the termination is shown in Figure 4C.



**FIGURE 4A. 2.5V LVPECL DRIVER TERMINATION EXAMPLE**



**FIGURE 4B. 2.5V LVPECL DRIVER TERMINATION EXAMPLE**



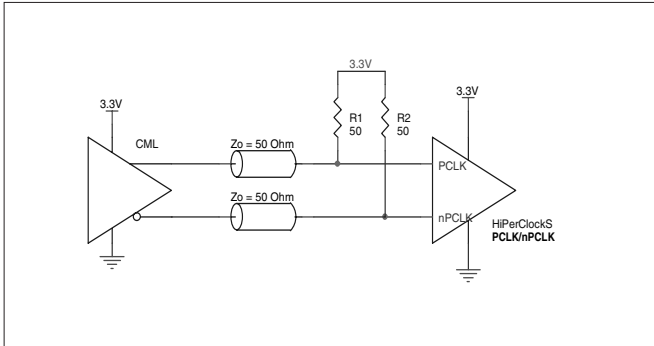
**FIGURE 4C. 2.5V LVPECL TERMINATION EXAMPLE**



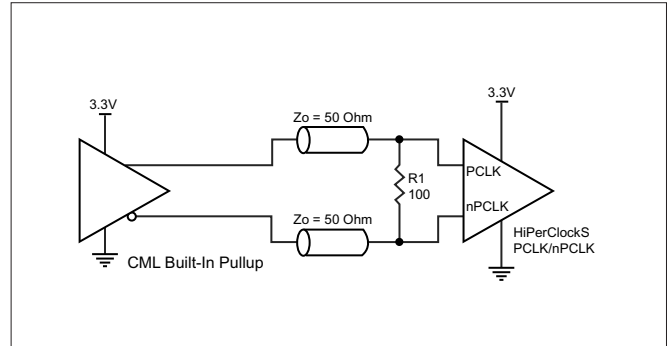
**LVPECL CLOCK INPUT INTERFACE**

The PCLK /nPCLK accepts LVPECL, CML, SSTL and other differential signals. Both  $V_{SWING}$  and  $V_{OH}$  must meet the  $V_{PP}$  and  $V_{CMR}$  input requirements. Figures 5A to 5F show interface examples for the HiPerClockS PCLK/nPCLK input driven by the most common driver types. The input interfaces suggested

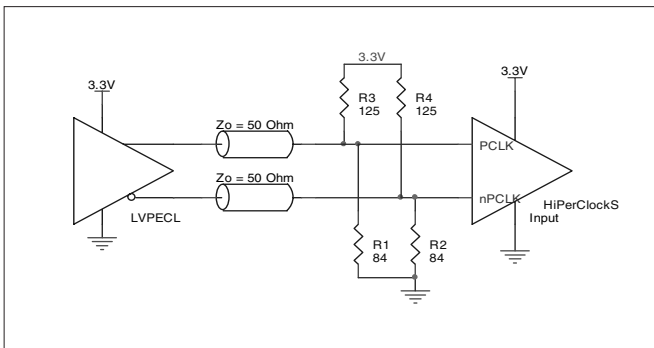
here are examples only. If the driver is from another vendor, use their termination recommendation. Please consult with the vendor of the driver component to confirm the driver termination requirements.



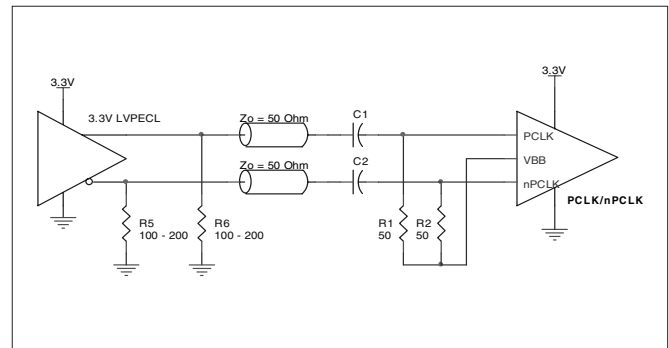
**FIGURE 5A. HiPerClockS PCLK/nPCLK INPUT DRIVEN BY AN OPEN COLLECTOR CML DRIVER**



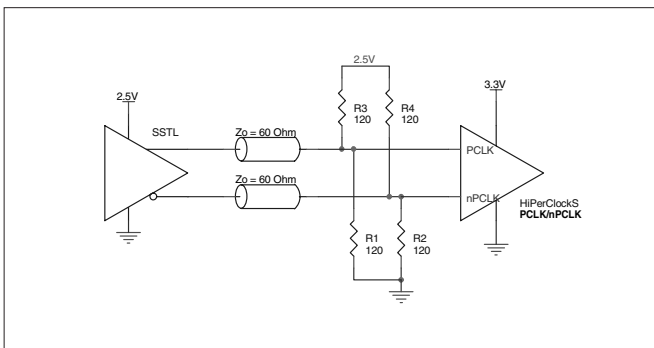
**FIGURE 5B. HiPerClockS PCLK/nPCLK INPUT DRIVEN BY A BUILT-IN PULLUP CML DRIVER**



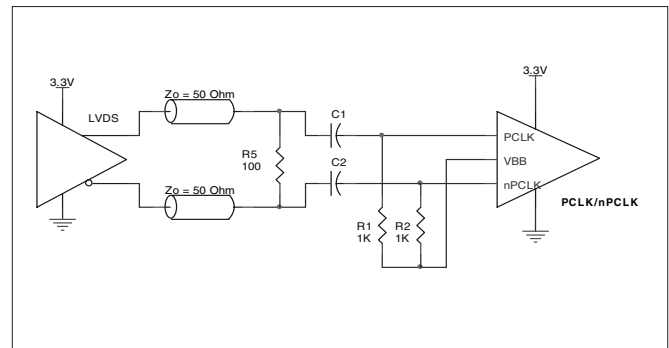
**FIGURE 5C. HiPerClockS PCLK/nPCLK INPUT DRIVEN BY A 3.3V LVPECL DRIVER**



**FIGURE 5D. HiPerClockS PCLK/nPCLK INPUT DRIVEN BY A 3.3V LVPECL DRIVER WITH AC COUPLE**



**FIGURE 5E. HiPerClockS PCLK/nPCLK INPUT DRIVEN BY AN SSTL DRIVER**



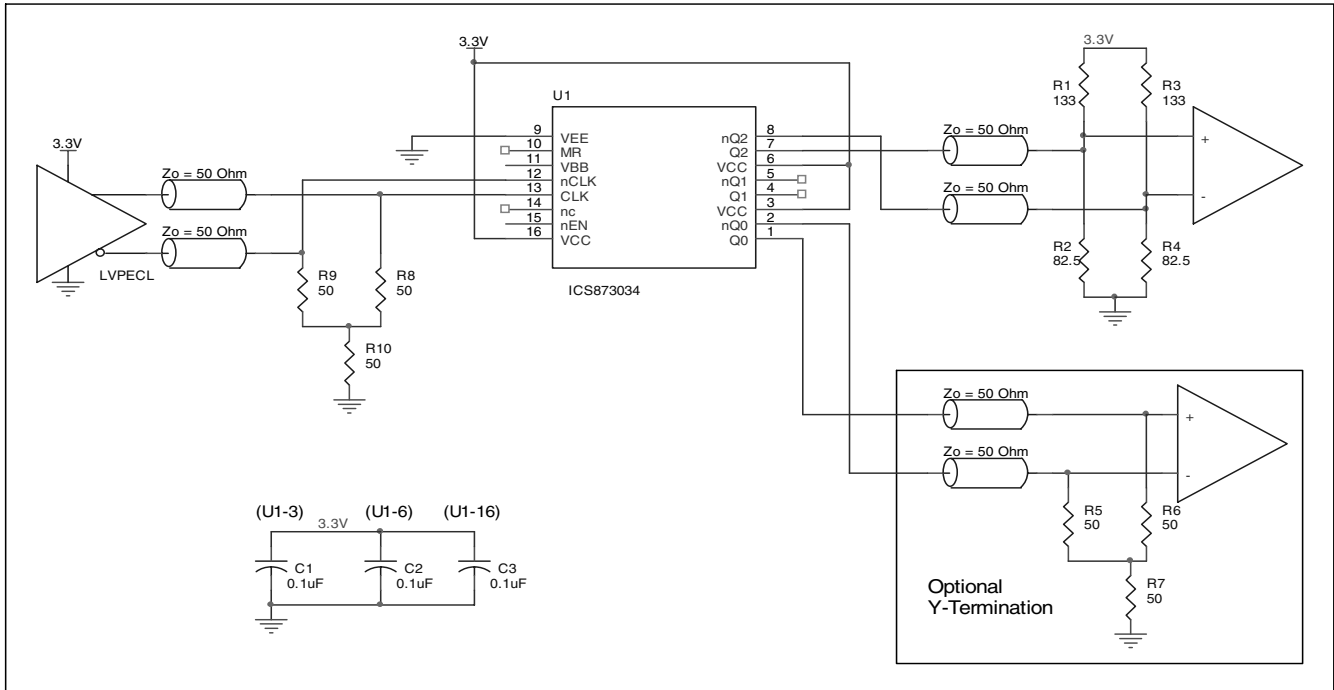
**FIGURE 5F. HiPerClockS PCLK/nPCLK INPUT DRIVEN BY A 3.3V LVDS DRIVER**



**APPLICATION SCHEMATIC EXAMPLE**

Figure 1 shows an example of ICS873034 application schematic. In this example, the device is operated at  $V_{CC}=3.3V$ . The decoupling capacitor should be located as close as possible to the power pin. The input is driven by a 3.3V LVPECL driver.

For the LVPECL output drivers, only two terminations examples are shown in this schematic. More termination approaches are shown in the LVPECL Termination Application Note.



**FIGURE 6. ICS873034 APPLICATION SCHEMATIC EXAMPLE**



## POWER CONSIDERATIONS

This section provides information on power dissipation and junction temperature for the ICS873034. Equations and example calculations are also provided.

### 1. Power Dissipation.

The total power dissipation for the ICS873034 is the sum of the core power plus the power dissipated in the load(s). The following is the power dissipation for  $V_{CC} = 3.8V$ , which gives worst case results.

**NOTE:** Please refer to Section 3 for details on calculating power dissipated in the load.

- Power (core)<sub>MAX</sub> =  $V_{CC\_MAX} * I_{EE\_MAX} = 3.8V * 40mA = 152mW$
- Power (outputs)<sub>MAX</sub> = **27.83mW/Loaded Output pair**  
If all outputs are loaded, the total power is  $3 * 27.83mW = 83.5mW$

$$\text{Total Power}_{MAX} (3.8, \text{ with all outputs switching}) = 152mW + 83.5mW = 235.5mW$$

### 2. Junction Temperature.

Junction temperature,  $T_j$ , is the temperature at the junction of the bond wire and bond pad and directly affects the reliability of the device. The maximum recommended junction temperature for HiPerClockS™ devices is 125°C.

The equation for  $T_j$  is as follows:  $T_j = \theta_{JA} * Pd\_total + T_A$

$T_j$  = Junction Temperature

$\theta_{JA}$  = Junction-to-Ambient Thermal Resistance

$Pd\_total$  = Total Device Power Dissipation (example calculation is in section 1 above)

$T_A$  = Ambient Temperature

In order to calculate junction temperature, the appropriate junction-to-ambient thermal resistance  $\theta_{JA}$  must be used. Assuming a moderate air flow of 200 linear feet per minute and a multi-layer board, the appropriate value is 82°C/W per Table 6A below.

Therefore,  $T_j$  for an ambient temperature of 85°C with all outputs switching is:

$$85^\circ C + 0.236W * 82^\circ C/W = 104.4^\circ C. \text{ This is well below the limit of } 125^\circ C.$$

This calculation is only an example.  $T_j$  will obviously vary depending on the number of loaded outputs, supply voltage, air flow, and the type of board (single layer or multi-layer).

**TABLE 6A. THERMAL RESISTANCE  $\theta_{JA}$  FOR 16-PIN SOIC, FORCED CONVECTION**

$\theta_{JA}$ by Velocity (Linear Feet per Minute)			
	0	200	500
Multi-Layer PCB, JEDEC Standard Test Boards	90°C/W	82°C/W	78°C/W

**TABLE 6B. THERMAL RESISTANCE  $\theta_{JA}$  FOR 16-PIN TSSOP, FORCED CONVECTION**

$\theta_{JA}$ by Velocity (Linear Feet per Minute)			
	0	200	500
Single-Layer PCB, JEDEC Standard Test Boards	137.1°C/W	118.2°C/W	106.8°C/W
Multi-Layer PCB, JEDEC Standard Test Boards	89.0°C/W	81.8°C/W	78.1°C/W

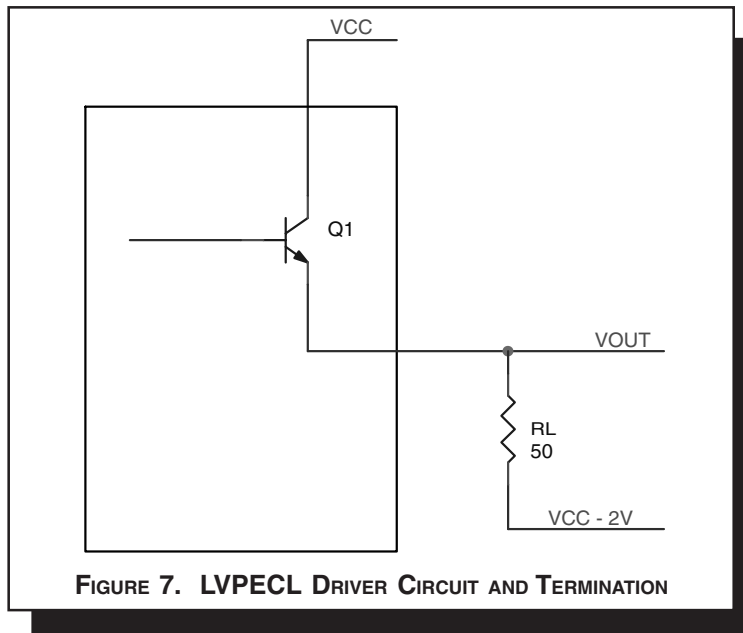
**NOTE:** Most modern PCB designs use multi-layered boards. The data in the second row pertains to most designs.



3. Calculations and Equations.

The purpose of this section is to derive the power dissipated into the load.

LVPECL output driver circuit and termination are shown in Figure 7.



To calculate worst case power dissipation into the load, use the following equations which assume a 50Ω load, and a termination voltage of  $V_{CC} - 2V$ .

- For logic high,  $V_{OUT} = V_{OH\_MAX} = V_{CC\_MAX} - 1.005V$   
 $(V_{CC\_MAX} - V_{OH\_MAX}) = 1.005$
- For logic low,  $V_{OUT} = V_{OL\_MAX} = V_{CC\_MAX} - 1.78V$   
 $(V_{CC\_MAX} - V_{OL\_MAX}) = 1.78V$

$Pd\_H$  is power dissipation when the output drives high.  
 $Pd\_L$  is the power dissipation when the output drives low.

$$Pd\_H = [(V_{OH\_MAX} - (V_{CC\_MAX} - 2V))/R_L] * (V_{CC\_MAX} - V_{OH\_MAX}) = [(2V - (V_{CC\_MAX} - V_{OH\_MAX}))/R_L] * (V_{CC\_MAX} - V_{OH\_MAX}) = [(2V - 1.005V)/50\Omega] * 1.005V = 20mW$$

$$Pd\_L = [(V_{OL\_MAX} - (V_{CC\_MAX} - 2V))/R_L] * (V_{CC\_MAX} - V_{OL\_MAX}) = [(2V - (V_{CC\_MAX} - V_{OL\_MAX}))/R_L] * (V_{CC\_MAX} - V_{OL\_MAX}) = [(2V - 1.78V)/50\Omega] * 1.78V = 7.83mW$$

Total Power Dissipation per output pair =  $Pd\_H + Pd\_L = 27.83mW$



Integrated  
Circuit  
Systems, Inc.

# PRELIMINARY

## ICS873034

LOW SKEW, ÷2, ÷4, ÷8 DIFFERENTIAL-TO-  
2.5V, 3.3V LVPECL/ECL CLOCK GENERATOR

### RELIABILITY INFORMATION

TABLE 7A.  $\theta_{JA}$  VS. AIR FLOW TABLE FOR 16 LEAD SOIC

$\theta_{JA}$ by Velocity (Linear Feet per Minute)			
	0	200	500
Multi-Layer PCB, JEDEC Standard Test Boards	90°C/W	82°C/W	78°C/W

TABLE 7B.  $\theta_{JA}$  VS. AIR FLOW TABLE FOR 16 LEAD TSSOP

$\theta_{JA}$ by Velocity (Linear Feet per Minute)			
	0	200	500
Single-Layer PCB, JEDEC Standard Test Boards	137.1°C/W	118.2°C/W	106.8°C/W
Multi-Layer PCB, JEDEC Standard Test Boards	89.0°C/W	81.8°C/W	78.1°C/W

**NOTE:** Most modern PCB designs use multi-layered boards. The data in the second row pertains to most designs.

#### TRANSISTOR COUNT

The transistor count for ICS873034 is: 280



Integrated  
Circuit  
Systems, Inc.

**PRELIMINARY**

**ICS873034**

LOW SKEW, ÷2, ÷4, ÷8 DIFFERENTIAL-TO-  
2.5V, 3.3V LVPECL/ECL CLOCK GENERATOR

PACKAGE OUTLINE - M SUFFIX FOR 16 LEAD SOIC

PACKAGE OUTLINE - G SUFFIX FOR 16 LEAD TSSOP

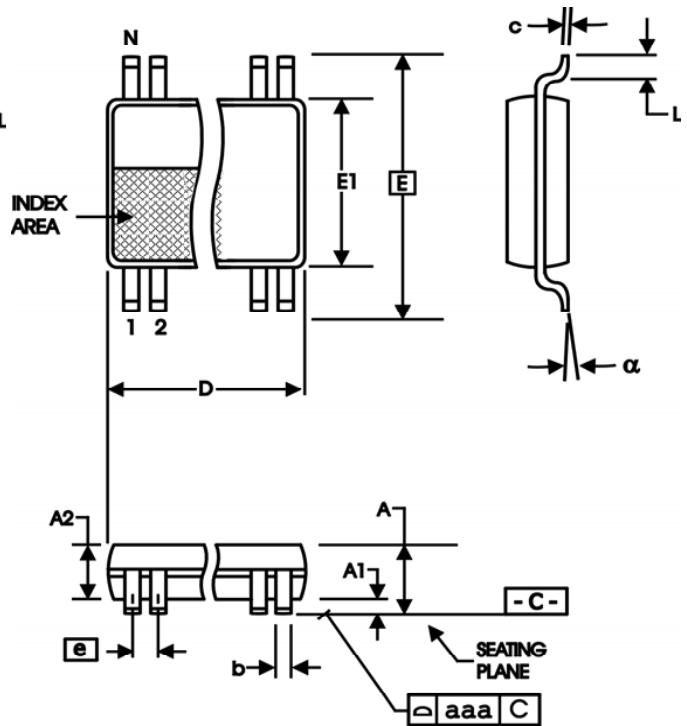
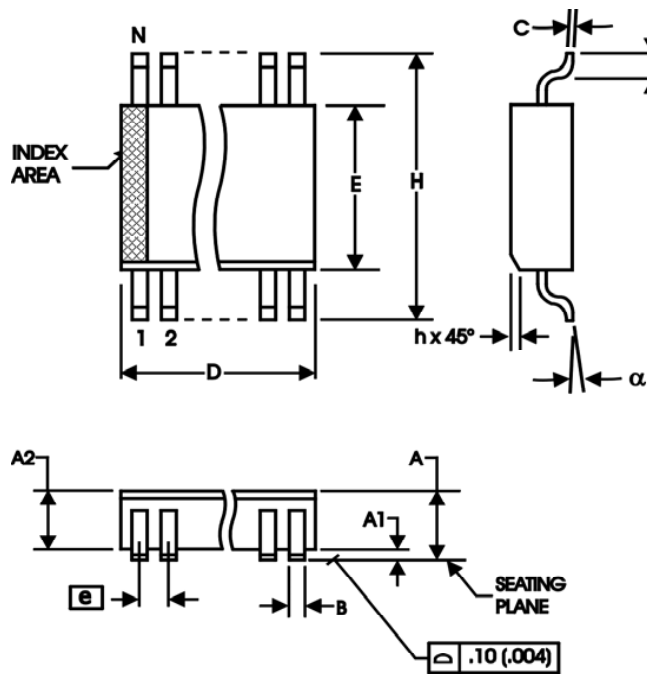


TABLE 8A. PACKAGE DIMENSIONS

SYMBOL	Millimeters	
	Minimum	Maximum
N	16	
A	--	2.65
A1	0.10	--
A2	2.05	2.55
B	0.33	0.51
C	0.18	0.32
D	10.10	10.50
E	7.40	7.60
e	1.27 BASIC	
H	10.00	10.65
h	0.25	0.75
L	0.40	1.27
α	0°	8°

Reference Document: JEDEC Publication 95, MS-012

TABLE 8B. PACKAGE DIMENSIONS

SYMBOL	Millimeters	
	Minimum	Maximum
N	16	
A	--	1.20
A1	0.05	0.15
A2	0.80	1.05
b	0.19	0.30
c	0.09	0.20
D	4.90	5.10
E	6.40 BASIC	
E1	4.30	4.50
e	0.65 BASIC	
L	0.45	0.75
α	0°	8°
aaa	--	0.10



Integrated  
Circuit  
Systems, Inc.

# PRELIMINARY

## ICS873034

LOW SKEW,  $\div 2$ ,  $\div 4$ ,  $\div 8$  DIFFERENTIAL-TO-  
2.5V, 3.3V LVPECL/ECL CLOCK GENERATOR

TABLE 9. ORDERING INFORMATION

Part/Order Number	Marking	Package	Count	Temperature
ICS873034AM	ICS873034AM	16 Lead SOIC	46 per tube	0°C to 70°C
ICS873034AMT	ICS873034AM	16 Lead SOIC on Tape and Reel	1000	0°C to 70°C
ICS873034AG	ICS873034AG	16 Lead TSSOP	94 per tube	0°C to 70°C
ICS873034AGT	ICS873034AG	16 Lead TSSOP on Tape and Reel	2500	0°C to 70°C

The aforementioned trademark, HiPerClockS™ is a trademark of Integrated Circuit Systems, Inc. or its subsidiaries in the United States and/or other countries.

While the information presented herein has been checked for both accuracy and reliability, Integrated Circuit Systems, Incorporated (ICS) assumes no responsibility for either its use or for infringement of any patents or other rights of third parties, which would result from its use. No other circuits, patents, or licenses are implied. This product is intended for use in normal commercial and industrial applications. Any other applications such as those requiring high reliability or other extraordinary environmental requirements are not recommended without additional processing by ICS. ICS reserves the right to change any circuitry or specifications without notice. ICS does not authorize or warrant any ICS product for use in life support devices or critical medical instruments.