

HD14562B

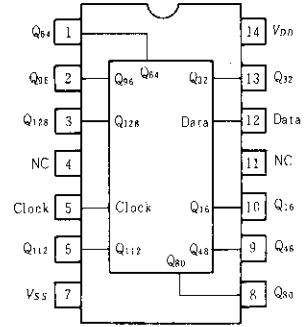
128-bit Static Shift Register

The HD14562B is a 128-bit static shift register. Data is clocked in and out of the shift register on the positive edge of the clock input. Data outputs are available every 16 bits, from 16 through bit 128.

FEATURES

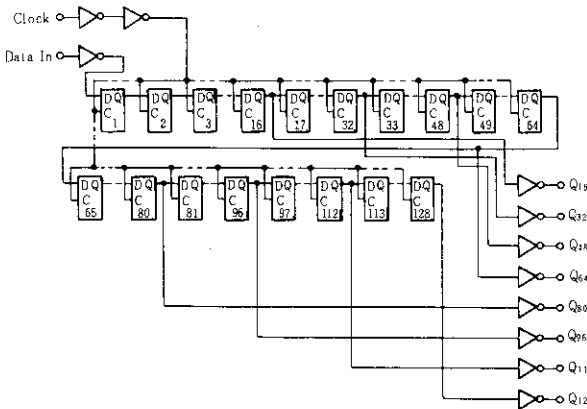
- Noise Immunity = 45% of V_{DD} typ.
- Single Supply Operation ... Positive or Negative
- Fully Static Operation
- Exceedingly Slow Input Transition Rates May Be Applied to the Clock Input
- 5.6MHz Operation @10V
- Cascadable to Provide Longer Shift Register Lengths ... 1.5MHz Operation @10V
- Supply Voltage Range = 3 to 18V
- Capable of Driving One Low-power Schottky TTL Load Over the Rated Temperature Range

PIN ARRANGEMENT

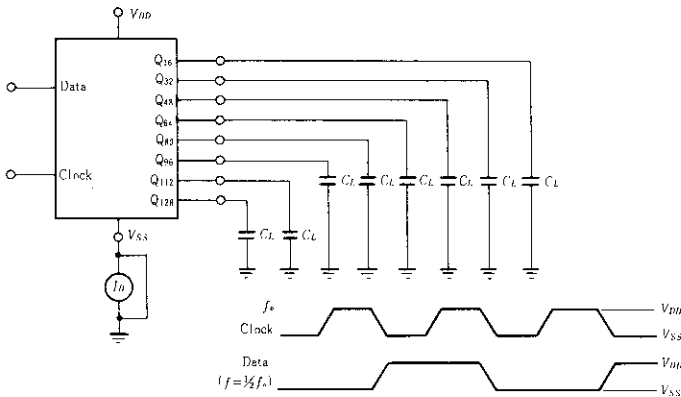


(Top View)

LOGIC DIAGRAM



POWER DISSIPATION TEST CIRCUIT AND WAVEFORM



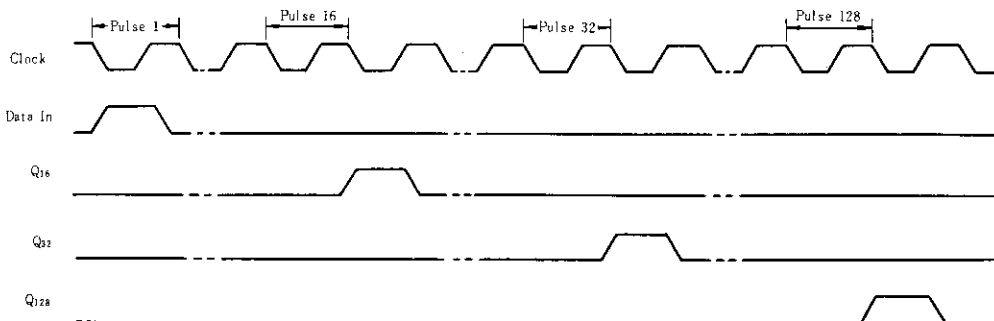
■ ELECTRICAL CHARACTERISTICS

Characteristic	Symbol	Test Conditions	-40°C		25°C			85°C		Unit	
			min	max	min	typ	max	min	max		
Output Voltage	V_{OL}	$V_{in} = V_{DD}$ or 0	5.0	—	0.05	—	0	0.05	—	0.05	V
		10	—	0.05	—	0	0.05	—	0.05		
		15	—	0.05	—	0	0.05	—	0.05		
	V_{OH}	$V_{in} = 0$ or V_{DD}	5.0	4.95	—	4.95	5.0	—	4.95	—	V
		10	9.95	—	9.95	10	—	9.95	—		
		15	14.95	—	14.95	15	—	14.95	—		
Input Voltage	V_{IL}	$V_{out} = 4.5$ or 0.5 V	5.0	—	1.5	—	2.25	1.5	—	1.5	V
		$V_{out} = 9.0$ or 1.0 V	10	—	3.0	—	4.50	3.0	—	3.0	
		$V_{out} = 13.5$ or 1.5 V	15	—	4.0	—	6.75	4.0	—	4.0	
	V_{IH}	$V_{out} = 0.5$ or 4.5 V	5.0	3.5	—	3.5	2.75	—	3.5	—	V
		$V_{out} = 1.0$ or 9.0 V	10	7.0	—	7.0	5.50	—	7.0	—	
		$V_{out} = 1.5$ or 13.5 V	15	11.0	—	11.0	8.25	—	11.0	—	
Output Drive Current	I_{OH}	$V_{OH} = 2.5$ V	5.0	-1.0	—	-0.8	-1.7	—	-0.6	—	mA
		$V_{OH} = 4.6$ V	5.0	-0.2	—	-0.16	-0.36	—	-0.12	—	
		$V_{OH} = 9.5$ V	10	-0.5	—	-0.4	-0.9	—	-0.3	—	
		$V_{OH} = 13.5$ V	15	-1.4	—	-1.2	-3.5	—	-1.0	—	
	I_{OL}	$V_{OL} = 0.4$ V	5.0	0.52	—	0.44	0.88	—	0.36	—	mA
		$V_{OL} = 0.5$ V	10	1.3	—	1.1	2.25	—	0.9	—	
$V_{OL} = 1.5$ V		15	3.6	—	3.0	8.8	—	2.4	—		
Input Current	I_{in}	15	—	± 0.3	—	± 0.00001	± 0.3	—	± 1.0	μ A	
Input Capacitance	C_{in}	$V_{in} = 0$	—	—	—	5.0	7.5	—	—	pF	
Quiescent Current	I_{DD}	Zero Signal, per Package	5.0	—	50	—	0.010	50	—	375	μ A
		10	—	100	—	0.020	100	—	750		
		15	—	200	—	0.030	200	—	1500		
Total Supply Current*	I_T	Dynamic + I_{DD} , per Gate	5.0	—	—	—	1.94	—	—	—	μ A
		10	—	—	—	3.81	—	—	—		
		$C_L = 50$ pF, $f = 1$ kHz	15	—	—	—	5.52	—	—	—	

* To calculate total supply current at frequency other than 1kHz.

@ $V_{DD} = 5.0$ V $I_T = (1.94 \mu\text{A}/\text{kHz})f + I_{DD}$, @ $V_{DD} = 10$ V $I_T = (3.81 \mu\text{A}/\text{kHz})f + I_{DD}$, @ $V_{DD} = 15$ V $I_T = (5.52 \mu\text{A}/\text{kHz})f + I_{DD}$

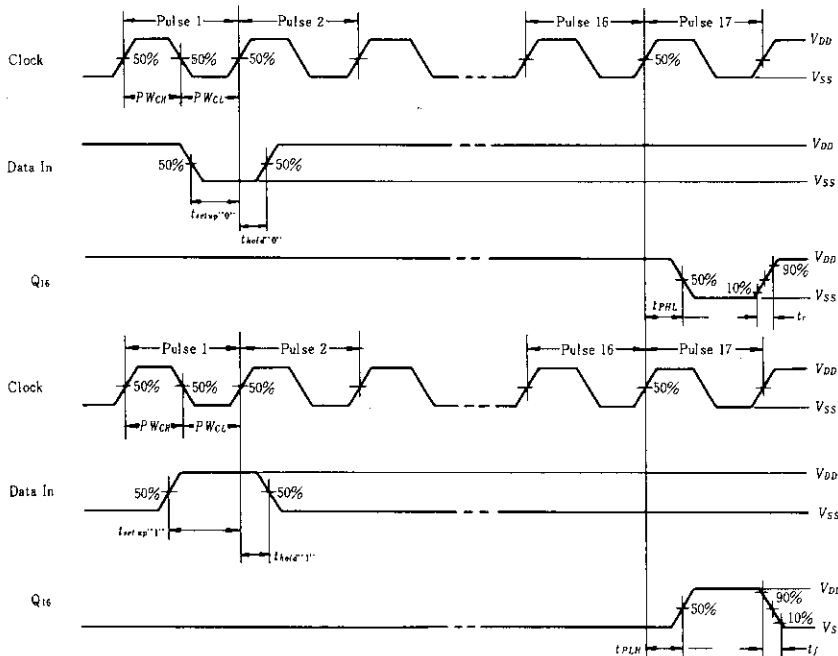
■ TIMING DIAGRAM



■ SWITCHING CHARACTERISTICS ($C_L=50\text{pF}$, $T_a=25^\circ\text{C}$)

Characteristic	Symbol	$V_{DD}(V)$	min	typ	max	Unit
Output Rise Time	t_r	5.0	—	180	400	ns
		10	—	90	200	
		15	—	65	160	
Output Fall Time	t_f	5.0	—	100	200	ns
		10	—	50	100	
		15	—	37	80	
Propagation Delay Time	t_{PLH} , t_{PHL}	5.0	—	600	1500	ns
		10	—	250	660	
		15	—	170	500	
Clock Pulse Width	PW_C	5.0	900	300	—	ns
		10	330	110	—	
		15	250	75	—	
Clock Frequency	PRF	5.0	—	1.9	0.8	MHz
		10	—	5.6	1.5	
		15	—	8.0	2.0	
Setup Time	t_{setup} "1"	5.0	-20	-170	—	ns
		10	-10	-64	—	
		15	0	-60	—	
	t_{setup} "0"	5.0	-20	-91	—	ns
		10	-10	-58	—	
		15	0	-40	—	
Hold Time	t_{hold} "1"	5.0	350	263	—	ns
		10	165	109	—	
		15	155	100	—	
	t_{hold} "0"	5.0	350	267	—	ns
		10	200	140	—	
		15	140	93	—	

● AC Test Waveform



Note) The remaining Data-Bit Outputs (Q_{32} , Q_{33} , Q_{34} , Q_{35} , Q_{36} , Q_{112} and Q_{128}) will occur at Clock Pulse 32, 48, 64, 80, 96, 112, 128 in the same relationship as Q_{16} .



Hitachi Code	DP-14
JEDEC	Conforms
EIAJ	Conforms
Weight (reference value)	0.97 g

Cautions

1. Hitachi neither warrants nor grants licenses of any rights of Hitachi's or any third party's patent, copyright, trademark, or other intellectual property rights for information contained in this document. Hitachi bears no responsibility for problems that may arise with third party's rights, including intellectual property rights, in connection with use of the information contained in this document.
2. Products and product specifications may be subject to change without notice. Confirm that you have received the latest product standards or specifications before final design, purchase or use.
3. Hitachi makes every attempt to ensure that its products are of high quality and reliability. However, contact Hitachi's sales office before using the product in an application that demands especially high quality and reliability or where its failure or malfunction may directly threaten human life or cause risk of bodily injury, such as aerospace, aeronautics, nuclear power, combustion control, transportation, traffic, safety equipment or medical equipment for life support.
4. Design your application so that the product is used within the ranges guaranteed by Hitachi particularly for maximum rating, operating supply voltage range, heat radiation characteristics, installation conditions and other characteristics. Hitachi bears no responsibility for failure or damage when used beyond the guaranteed ranges. Even within the guaranteed ranges, consider normally foreseeable failure rates or failure modes in semiconductor devices and employ systemic measures such as fail-safes, so that the equipment incorporating Hitachi product does not cause bodily injury, fire or other consequential damage due to operation of the Hitachi product.
5. This product is not designed to be radiation resistant.
6. No one is permitted to reproduce or duplicate, in any form, the whole or part of this document without written approval from Hitachi.
7. Contact Hitachi's sales office for any questions regarding this document or Hitachi semiconductor products.

HITACHI

Hitachi, Ltd.

Semiconductor & Integrated Circuits.
Nippon Bldg., 2-6-2, Ohte-machi, Chiyoda-ku, Tokyo 100-0004, Japan
Tel: Tokyo (03) 3270-2111 Fax: (03) 3270-5109

URL North America : <http://semiconductor.hitachi.com/>
 Europe : <http://www.hitachi-eu.com/hel/ecg>
 Asia (Singapore) : <http://www.has.hitachi.com.sg/grp3/sicd/index.htm>
 Asia (Taiwan) : http://www.hitachi.com.tw/E/Product/SICD_Frame.htm
 Asia (HongKong) : <http://www.hitachi.com.hk/eng/bo/grp3/index.htm>
 Japan : <http://www.hitachi.co.jp/Sicd/indx.htm>

For further information write to:

Hitachi Semiconductor
(America) Inc.
179 East Tasman Drive,
San Jose, CA 95134
Tel: <1> (408) 433-1990
Fax: <1>(408) 433-0223

Hitachi Europe GmbH
Electronic components Group
Dornacher Straße 3
D-85622 Feldkirchen, Munich
Germany
Tel: <49> (89) 9 9180-0
Fax: <49> (89) 9 29 30 00

Hitachi Europe Ltd.
Electronic Components Group.
Whitebrook Park
Lower Cookham Road
Maidenhead
Berkshire SL6 8YA, United Kingdom
Tel: <44> (1628) 585000
Fax: <44> (1628) 778322

Hitachi Asia Pte. Ltd.
16 Collyer Quay #20-00
Hitachi Tower
Singapore 049318
Tel: 535-2100
Fax: 535-1533

Hitachi Asia Ltd.
Taipei Branch Office
3F, Hung Kuo Building, No.167,
Tun-Hwa North Road, Taipei (105)
Tel: <886> (2) 2718-3666
Fax: <886> (2) 2718-8180

Hitachi Asia (Hong Kong) Ltd.
Group III (Electronic Components)
7/F., North Tower, World Finance Centre,
Harbour City, Canton Road, Tsim Sha Tsui,
Kowloon, Hong Kong
Tel: <852> (2) 735 9218
Fax: <852> (2) 730 0281
Telex: 40815 HITEC HX

Copyright ' Hitachi, Ltd., 1999. All rights reserved. Printed in Japan.

HITACHI