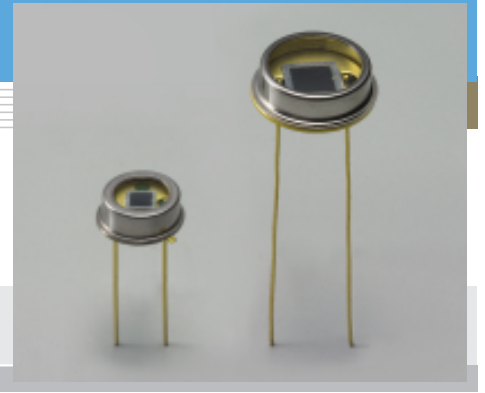


GaAsP photodiode G1746, G1747

Schottky type with extended red sensitivity



Features

- Low dark current
- Extended red sensitivity
- High UV sensitivity

Applications

- Analytical instrument
- Color identification
- UV detection

■ General ratings / Absolute maximum ratings

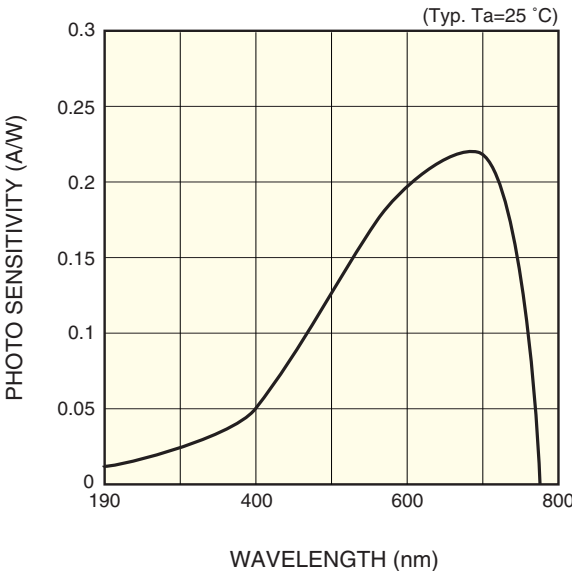
Type No.	Dimensional outline/ Window Material *	Package	Active area size (mm)	Effective active area (mm ²)	Absolute maximum ratings		
					Reverse voltage VR Max. (V)	Operating temperature Topr (°C)	Storage temperature Tstg (°C)
G1746	①/Q	TO-5	2.3 × 2.3	5.2	5	-10 to +60	-20 to +70
G1747	②/Q	TO-8	4.6 × 4.6	21			

■ Electrical and optical characteristics (Typ. Ta=25 °C, unless otherwise noted)

Type No.	Spectral response range λ (nm)	Peak sensitivity wavelength λ_p (nm)	Photo sensitivity S (A/W)				Short circuit current Isc 100 μ		Dark current Id Max.		Temp. coefficient of Id TCID (times/°C)	Rise time tr VR=0 V RL=1 k Ω (μ s)	Terminal capacitance Ct VR=0 V f=10 kHz (pF)	Shunt resistance Rsh VR=10 mV		NEP (W/Hz ^{1/2})
			λ_p	Hg line 254 nm	GaP LED 560 nm	He-Ne laser 633 nm	Min. (μ A)	Typ. (μ A)	VR=10 mV (pA)	VR=1 V (pA)				Min. (G Ω)	Typ. (G Ω)	
G1746	190 to 760	710	0.22	0.02	0.18	0.2	0.5	0.65	10	100	1.07	3	1600	1	8	6.5 × 10 ⁻¹⁵
G1747							1.8	2.4	20	200				0.5	2.5	1.2 × 10 ⁻¹⁴

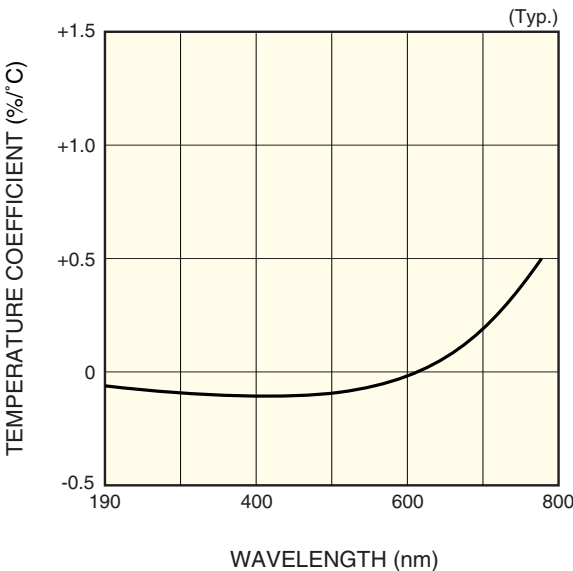
* Window material Q: quartz glass

■ Spectral response



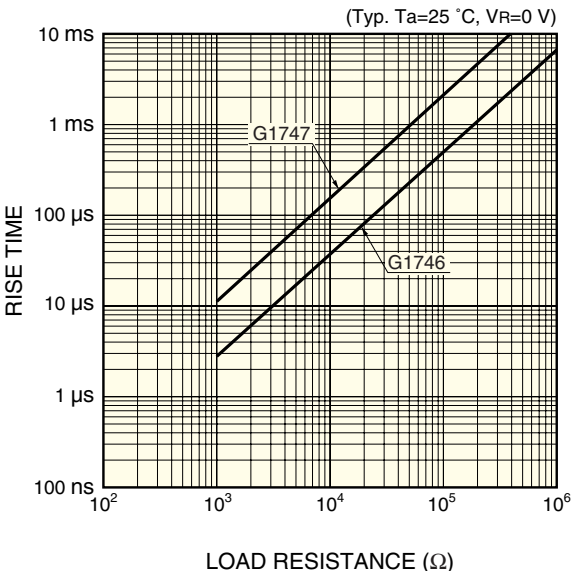
KGPDB0039EA

■ Photo sensitivity temperature characteristic



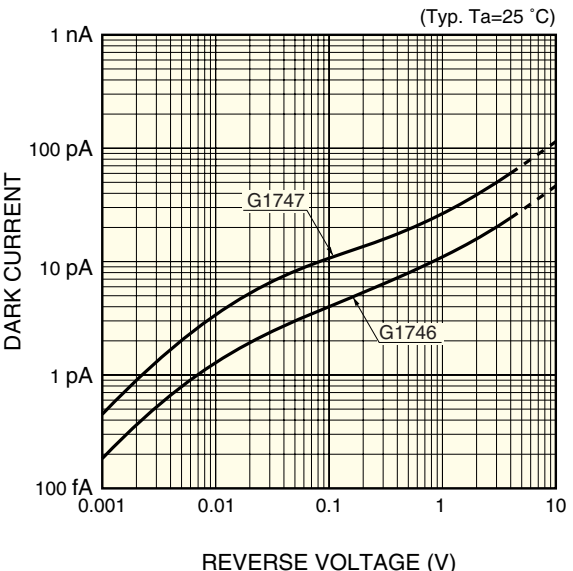
KGPDB0040EA

■ Rise time vs. load resistance



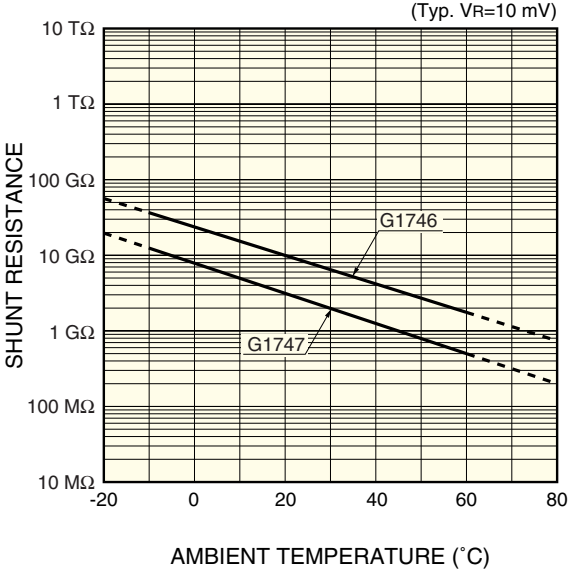
KGPDB0041EA

■ Dark current vs. reverse voltage



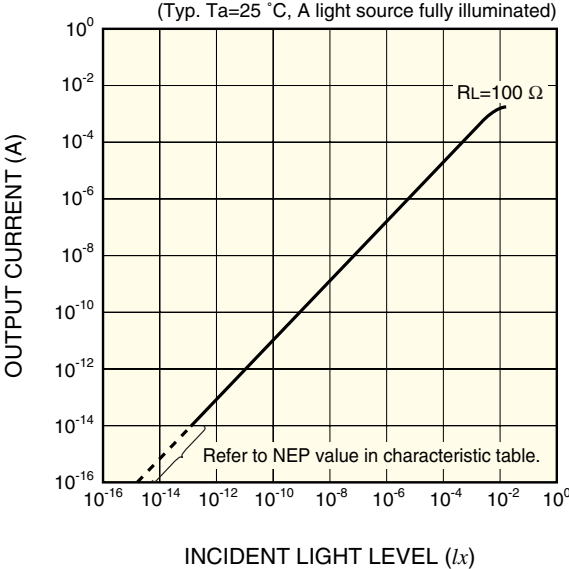
KGPDB0042EA

■ Shunt resistance vs. ambient temperature



KGPD0043EA

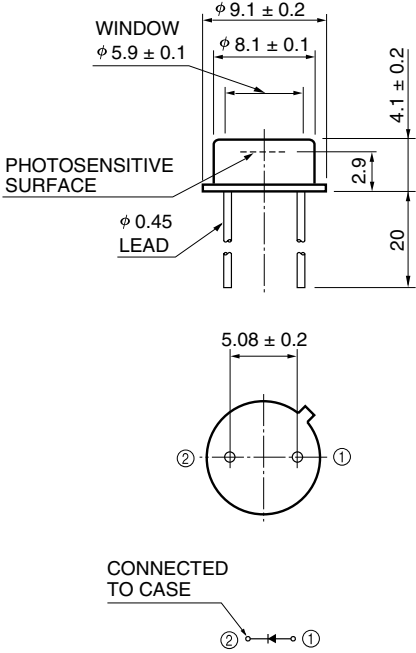
■ Short circuit current linearity



KGPD0008EA

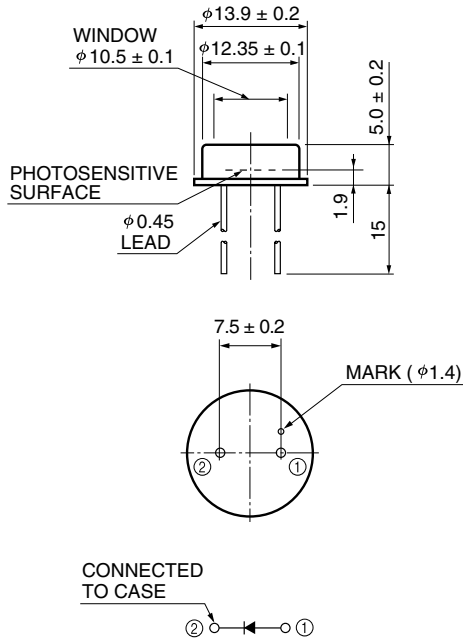
■ Dimensional outlines (unit: mm)

① G1746



KGPD0008EA

② G1747



KGPD0007EA

HAMAMATSU

Information furnished by HAMAMATSU is believed to be reliable. However, no responsibility is assumed for possible inaccuracies or omissions. Specifications are subject to change without notice. No patent rights are granted to any of the circuits described herein. ©2001 Hamamatsu Photonics K.K.

HAMAMATSU PHOTONICS K.K., Solid State Division

1126-1 Ichino-cho, Hamamatsu City, 435-8558 Japan, Telephone: (81) 053-434-3311, Fax: (81) 053-434-5184, <http://www.hamamatsu.com>

U.S.A.: Hamamatsu Corporation: 360 Foothill Road, P.O.Box 6910, Bridgewater, N.J. 08807-0910, U.S.A., Telephone: (1) 908-231-0960, Fax: (1) 908-231-1218

Germany: Hamamatsu Photonics Deutschland GmbH: Arzbergerstr. 10, D-82211 Herrsching am Ammersee, Germany, Telephone: (49) 08152-3750, Fax: (49) 08152-2658

France: Hamamatsu Photonics France S.A.R.L.: 8, Rue du Saule Trapu, Parc du Moulin de Massy, 91882 Massy Cedex, France, Telephone: 33-(1) 69 53 71 00, Fax: 33-(1) 69 53 71 10

United Kingdom: Hamamatsu Photonics UK Limited: 2 Howard Court, 10 Tewin Road, Welwyn Garden City, Hertfordshire AL7 1BW, United Kingdom, Telephone: (44) 1707-294888, Fax: (44) 1707-325777

North Europe: Hamamatsu Photonics Norden AB: Smidesvägen 12, SE-171 41 Solna, Sweden, Telephone: (46) 8-509-031-00, Fax: (46) 8-509-031-01

Italy: Hamamatsu Photonics Italia S.R.L.: Strada della Moia, 1/E, 20020 Arese, (Milano), Italy, Telephone: (39) 02-935-81-733, Fax: (39) 02-935-81-741