

Customer Name	Standard specification	FUJITSU MEDIA DEVICES LIMITED	
Application	IF Filter for Digital Cable Digital Terrestrial TV		
Center Frequency	47.25 MHz	DATE	Sep. 09 2002
FMD Part Number	SBF0406RPL	Version 1.2	

Table 1 Electrical Specification (Ta=25(45)°C)

Items	Conditions	Specification			Unit	Remarks
		Min.	Typ.	Max.		
Center frequency		–	(47.25)	–	MHz	
Insertion Loss	47.31(47.25) MHz	13.6	15.1	16.6	dB	
Pass bandwidth	3 dB	–	6.2	–	MHz	
	30 dB	–	7.6	–	MHz	
Relative level	44.21(44.15) MHz	- 4.1	- 2.9	- 1.7	dB	
	44.78(44.72) MHz	- 1.0	0.0	1.0	dB	
	47.31(47.25) MHz	–	0	–	dB	Reference
	49.84(49.78) MHz	- 0.5	0.5	1.5	dB	
	50.41(50.35) MHz	- 4.1	- 2.9	- 1.7	dB	
	38.06 ~ 41.31 (38.00 ~ 41.25) MHz	–	-45	-38	dB	
	41.31 ~ 43.31 (41.25 ~ 43.25) MHz	–	-40	-30	dB	
	51.31 ~ 53.31 (51.25 ~ 53.25) MHz	–	-40	-30	dB	
Amplitude ripple (p-p)	44.78 ~ 49.84 (44.72 ~ 49.78) MHz	–	0.6	1.0	dB	
	Group delay ripple (p-p)	44.21 ~ 50.41 (44.15 ~ 50.35) MHz	–	43	70	ns
Input Capacitance	Cin (1.0 MHz)	–	15.1	–	pF	
Output Capacitance	Cout (1.0 MHz)	–	4.1	–	pF	
Temperature coefficient		–	-72	–	ppm/°C	

Customer Name	Standard specification	FUJITSU MEDIA DEVICES LIMITED	
Application	IF Filter for Digital Cable Digital Terrestrial TV		
Center Frequency	47.25 MHz	DATE	Sep. 09 2002
FMD Part Number	SBF0406RPL	Version 1.2	

● **Dimensions**

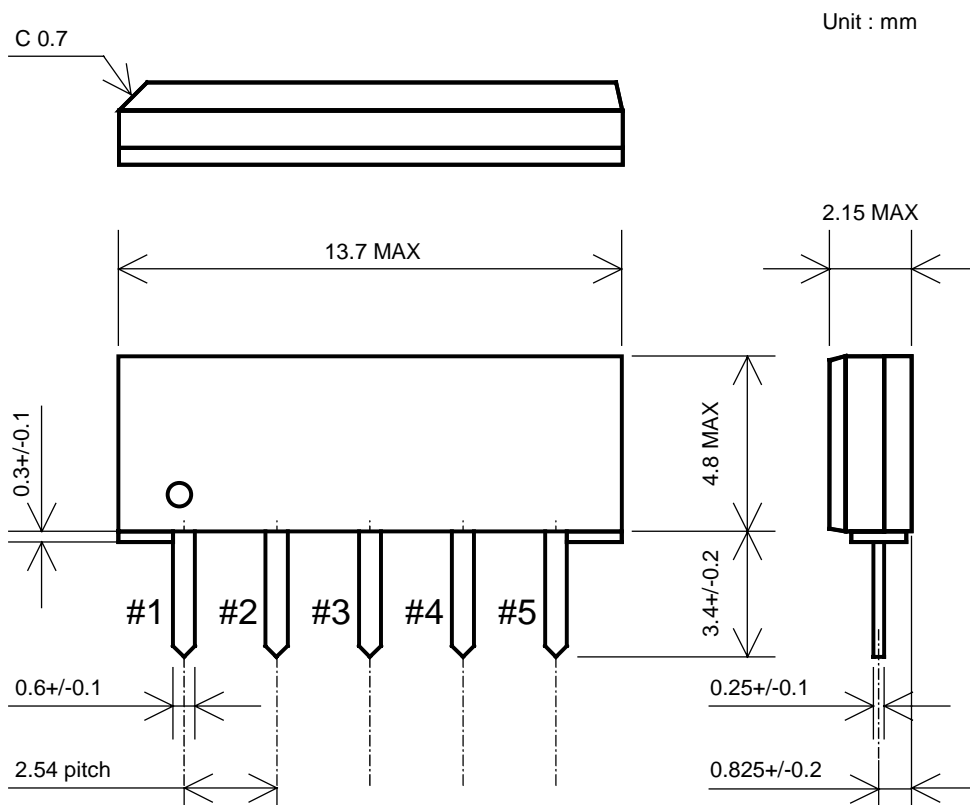


Fig.1

● **Pin Configuration**

Table 2

Pin No.	Symbol	Function
#1	IN	Input
#2	IN(GND)	Input(Ground)
#3	GND	Ground
#4	OUT	Output
#5	OUT	Output

Customer Name	Standard specification	FUJITSU MEDIA DEVICES LIMITED	
Application	IF Filter for Digital Cable Digital Terrestrial TV		
Center Frequency	47.25 MHz	DATE	Sep. 09 2002
FMD Part Number	SBF0406RPL	Version 1.2	

● **Evaluation Circuit**

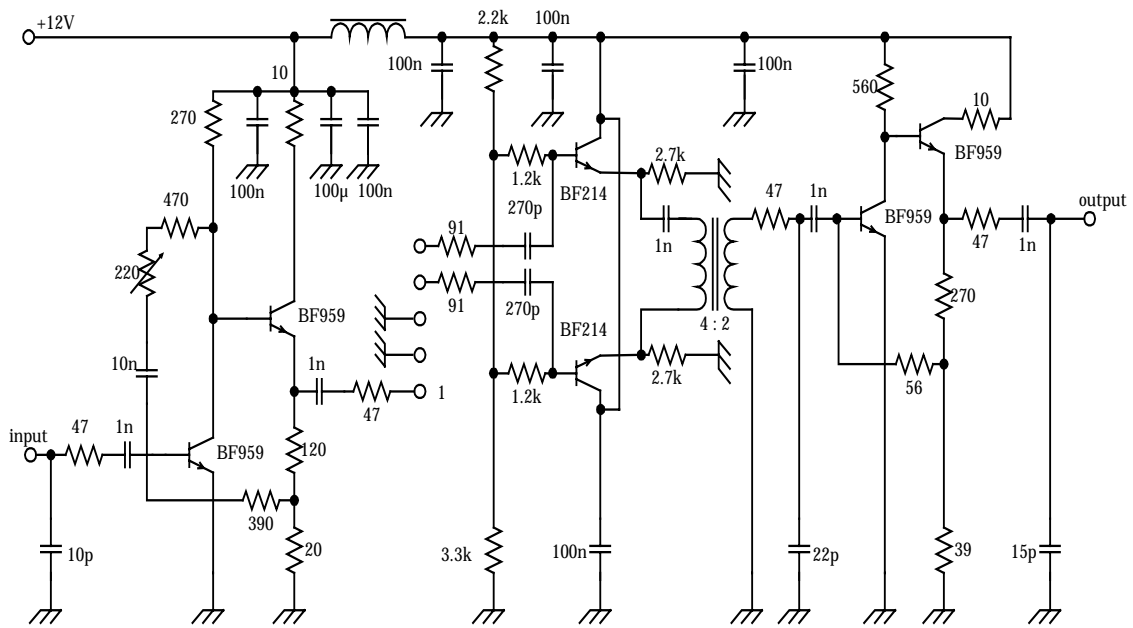


Fig.2 Evaluation circuit

● **Equivalent Circuit**

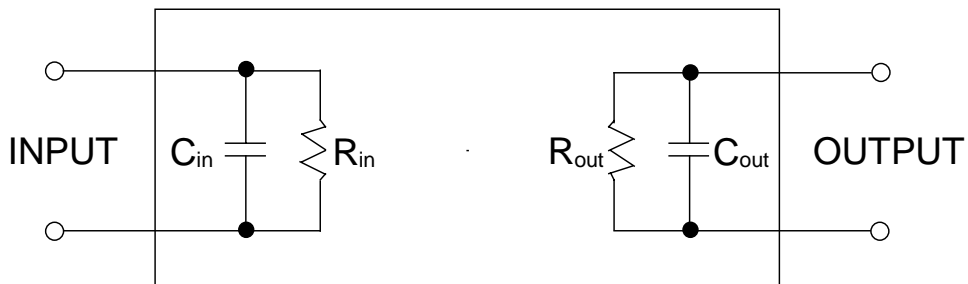
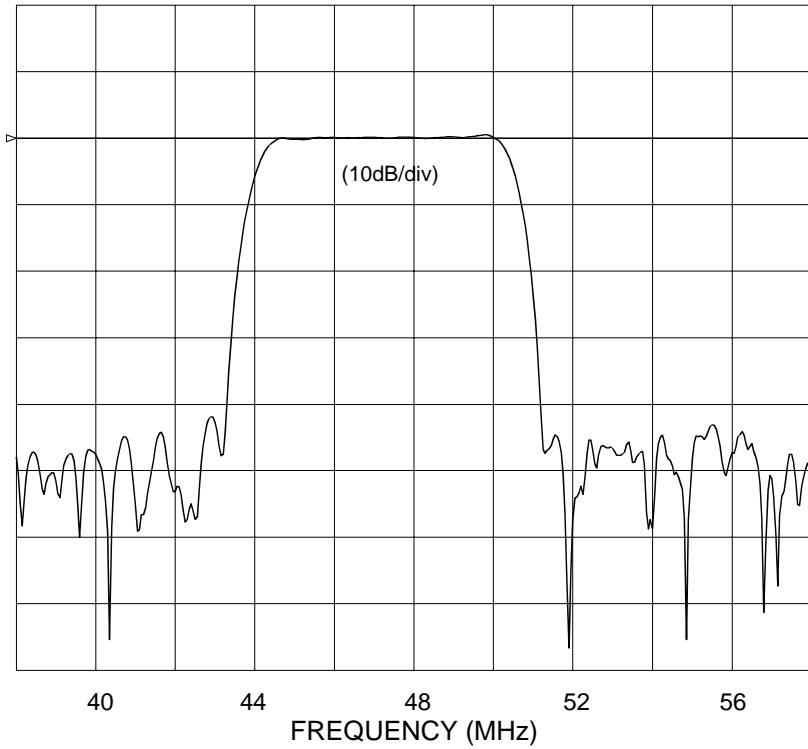
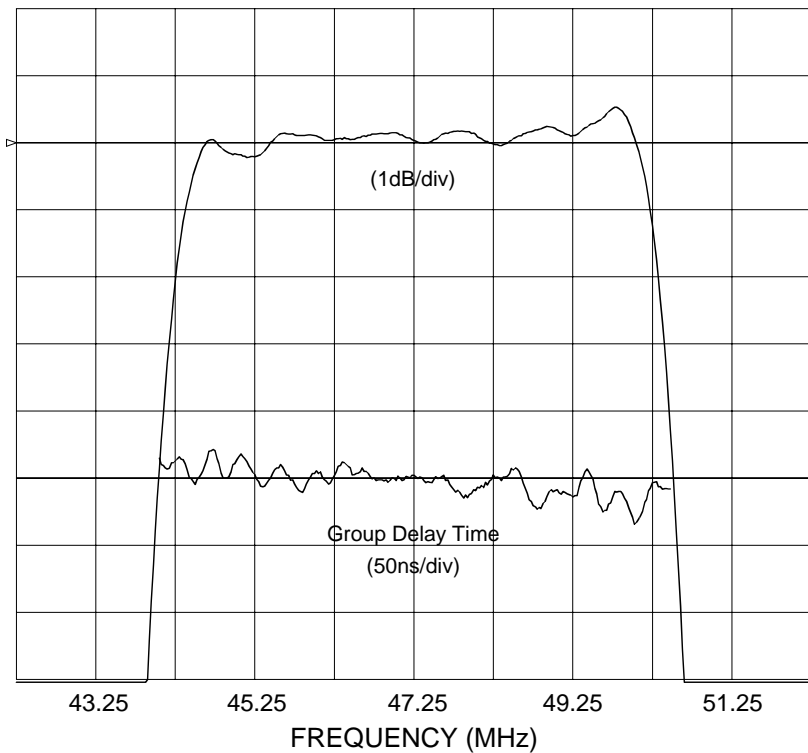


Fig.3 Equivalent circuit

Customer Name	Standard specification	FUJITSU MEDIA DEVICES LIMITED	
Application	IF Filter for Digital Cable Digital Terrestrial TV		
Center Frequency	47.25 MHz	DATE	Sep. 09 2002
FMD Part Number	SBF0406RPL	Version 1.2	



Frequency Characteristics



In-band Characteristics