

ASSP

CMOS

50 MSPS 3ch 8-bit D/A Converter

MB40C958V

■ DESCRIPTION

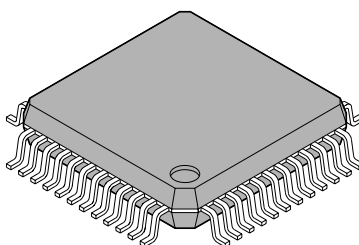
The MB40C958V is a high-speed CMOS process based D/A converter provided with the three-channel I/O for RGB, allowing for independent control of the three channels.

■ FEATURES

- Resolution : 8 bits
- Linearity error : ± 0.5 LSB (max)
- Differential linearity error : ± 1.0 LSB (max)
- Maximum conversion rate : 50 MSPS (min)
- Supply voltage : single +5 V
- Digital input voltage range : TTL level
- Analog output voltage range : 2 V_{p-p} (0 to 2 V)
- Dissipation power : 220 mW (standard: analog output for $R_L = 200 \Omega$, 2 V_{p-p} output)
- Additional capabilities : Reference voltage generator, power saving function, independent 3-ch V_{REF}
- Package : LQFP48

■ PACKAGE

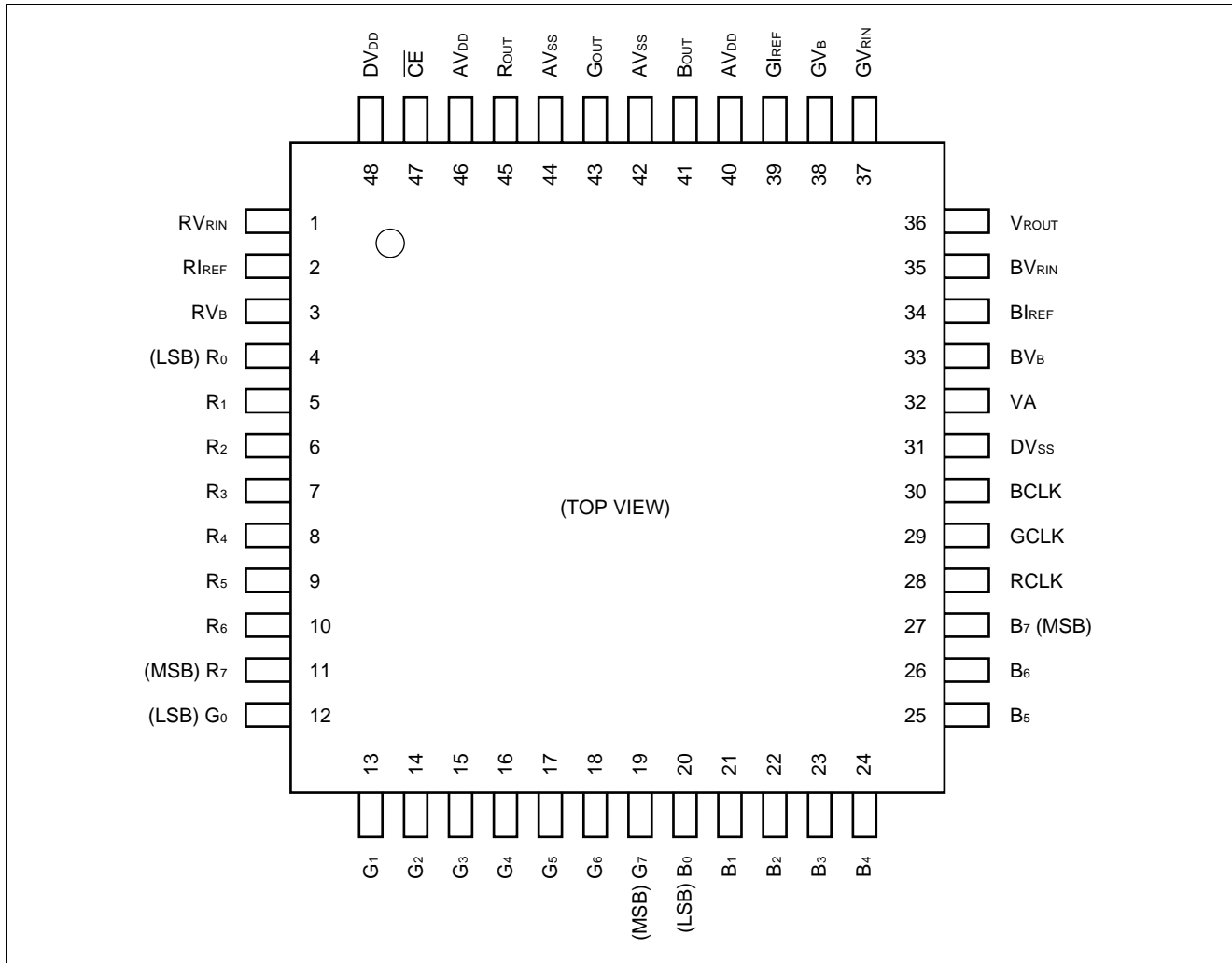
48-pin Plastic LQFP



(FPT-48P-M05)

MB40C958V

■ PIN ASSIGNMENT

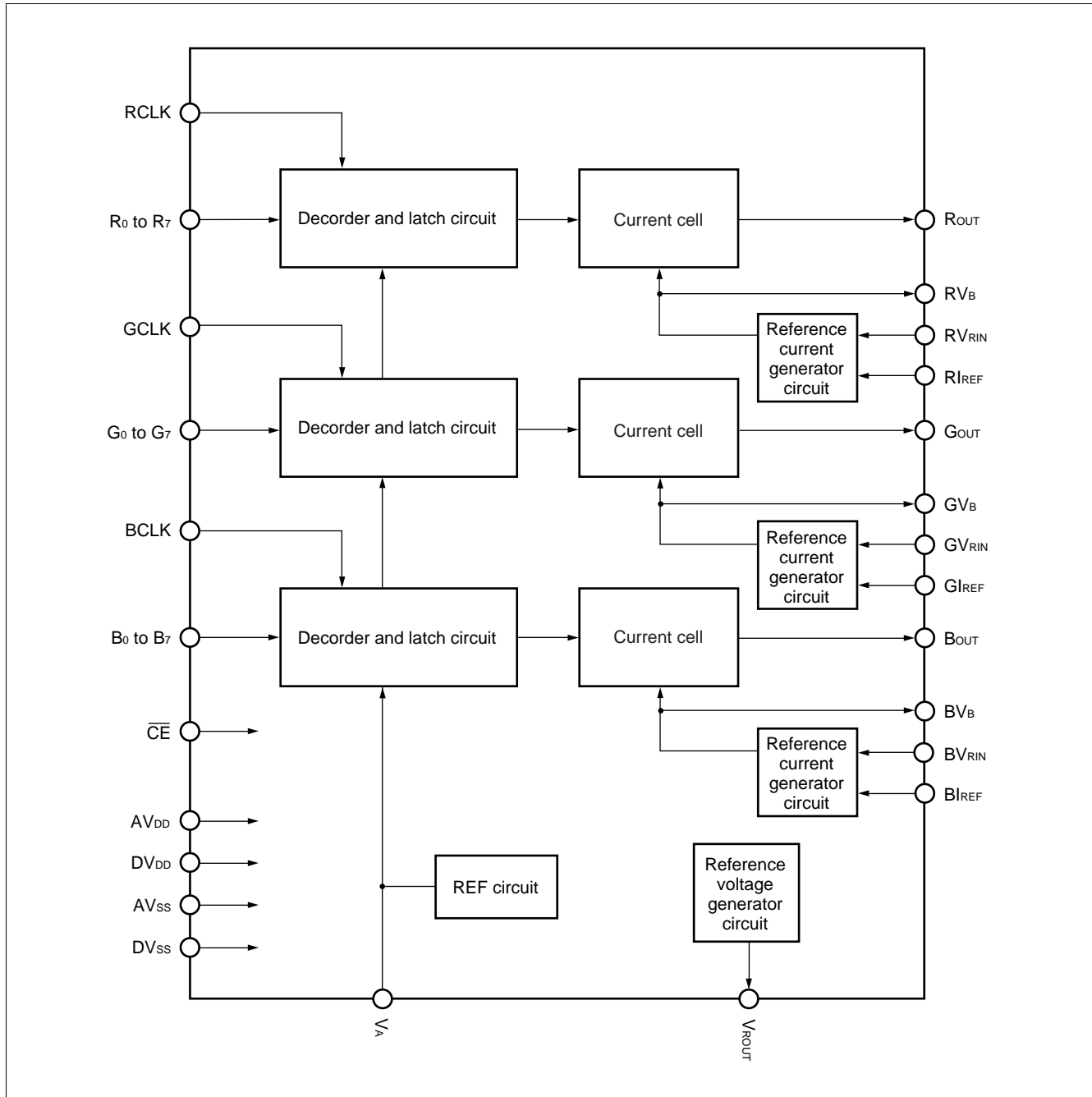


■ PIN DESCRIPTION

Pin No.	Symbol	I/O	Description
4 to 11 12 to 19 20 to 27	R ₀ to R ₇ G ₀ to G ₇ B ₀ to B ₇	I	Data signal incoming terminal for Rch, Gch and Bch LSB: R ₀ , G ₀ , B ₀ MSB: R ₇ , G ₇ , B ₇
28 29 30	RCLK GCLK BCLK	I	Clock signal incoming terminal for Rch, Gch and Bch (TTL compatible)
47	CE	I	Power saving signal incoming terminal. Power saving enabled for High
48	DV _{DD}	—	Digital power supply terminal (standard 5 V)
40, 46	AV _{DD}	—	Analog power supply terminal (standard 5 V)
31	DV _{SS}	—	Digital ground terminal
42, 44	AV _{SS}	—	Analog ground terminal
36	V _{ROUT}	O	Reference voltage output terminal (standard: 2 V)
1 37 35	RV _{RIN} GV _{RIN} BV _{RIN}	I	Reference voltage incoming terminal for Rch, Gch and Bch (standard: 2 V)
2 39 34	RI _{REF} GI _{REF} BI _{REF}	—	Reference resistor connection terminal for Rch, Gch and Bch
3 38 33	RV _B GV _B BV _B	—	Connect >0.1 μF capacitor to the AV _{DD} terminal
32	VA	—	Connect >0.1 μF capacitor to the AV _{SS} terminal
45 43 41	R _{OUT} G _{OUT} B _{OUT}	O	Analog signal output terminals for Rch, Gch and Bch

MB40C958V

■ BLOCK DIAGRAM



■ ABSOLUTE MAXIMUM RATINGS

Parameter	Symbol	Rating		Unit
		Min.	Max.	
Power supply voltage	V _{DD}	-0.3	+7.0	V
Digital input voltage	V _{ID}	-0.3	V _{DD} +0.3	V
Analog output voltage	V _O	-0.3	V _{DD} +0.3	V
Analog output current	I _O	0	12	mA
Storage temperature	T _{stg}	-55	+125	°C

WARNING: Semiconductor devices can be permanently damaged by application of stress (voltage, current, temperature, etc.) in excess of absolute maximum ratings. Do not exceed these ratings.

■ RECOMMENDED OPERATING CONDITIONS

Parameter	Symbol	Value			Unit
		Min.	Typ.	Max.	
Analog power supply voltage	AV _{DD}	4.75	5.0	5.25	V
Digital power supply voltage	DV _{DD}	4.75	5.0	5.25	V
Power supply voltage difference	AV _{DD} – DV _{DD}	-0.2	—	0.2	V
Reference input voltage	V _{RIN}	1.0	2.0	2.2	V
Full-scale current*1	I _{FS}	0	—	12	mA
Full-scale output voltage*2	V _{FS}	—	2.0	2.3	V
Digital “H” level input voltage	V _{IHD}	2.4	—	DV _{DD}	V
Digital “L” level input voltage	V _{ILD}	0	—	0.5	V
Clock frequency	f _{CLK}	—	—	50	MHz
Setup time	t _s	6	—	—	ns
Hold time	t _h	3	—	—	ns
“H” level minimum pulse width	t _{WH}	6.5	—	—	ns
“L” level minimum pulse width	t _{WL}	6.5	—	—	ns
Operating ambient temperature	T _{op}	-20	—	+85	°C

*1: $I_{FS} = V_{RIN}/R_{REF} \times 15.9$

*2: $V_{FS} = I_{FS} \times R_L$

WARNING: The recommended operating conditions are required in order to ensure the normal operation of the semiconductor device. All of the device's electrical characteristics are warranted when the device is operated within these ranges.

Always use semiconductor devices within the recommended operating conditions. Operation outside these ranges may adversely affect reliability and could result in device failure.

No warranty is made with respect to uses, operating conditions, or combinations not represented on the data sheet. Users considering application outside the listed conditions are advised to contact their FUJITSU representatives beforehand.

MB40C958V

■ ELECTRICAL CHARACTERISTICS

1. DC Characteristics

($V_{DD} = DV_{DD} = 4.75\text{ V to }5.25\text{ V}$, $V_{RIN} = 2\text{ V}$, $R_{REF} = 3.3\text{ k}\Omega$, $R_L = 200\ \Omega$, $T_a = -20^\circ\text{C to }+85^\circ\text{C}$)

Parameter	Symbol	Condition	Value			Unit
			Min.	Typ.	Max.	
Resolution	—	—	—	8	—	bit
Linearity error	LE	DC Accuracy	—	—	± 0.5	LSB
Differential linearity error	DLE		—	—	± 1.0	LSB
Digital input current	I_{ID}	—	-5	—	5	μA
Reference output voltage	V_{ROUT}	$AV_{DD} = DV_{DD} = 5.00\text{ V}$	1.95	2.0	2.05	V
Full-scale output voltage	V_{OFS}	—	1.85	1.94	2.03	V
Zero-scale output voltage	V_{OZS}	—	0	—	10	mV
Analog power supply current	I_{DD}	—	—	30	35	mA
Digital power supply current	$D I_{DD}$	—	—	13	20	mA

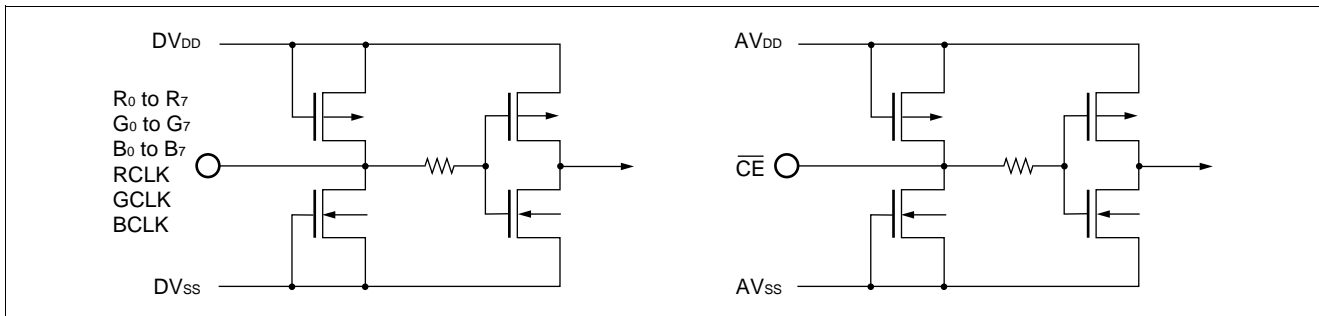
2. AC Characteristics

($AV_{DD} = DV_{DD} = 4.75\text{ V to }5.25\text{ V}$, $V_{RIN} = 2\text{ V}$, $R_{REF} = 3.3\text{ k}\Omega$, $R_L = 200\ \Omega$, $C_L = 15\text{ pF}$, $T_a = -20^\circ\text{C to }+85^\circ\text{C}$)

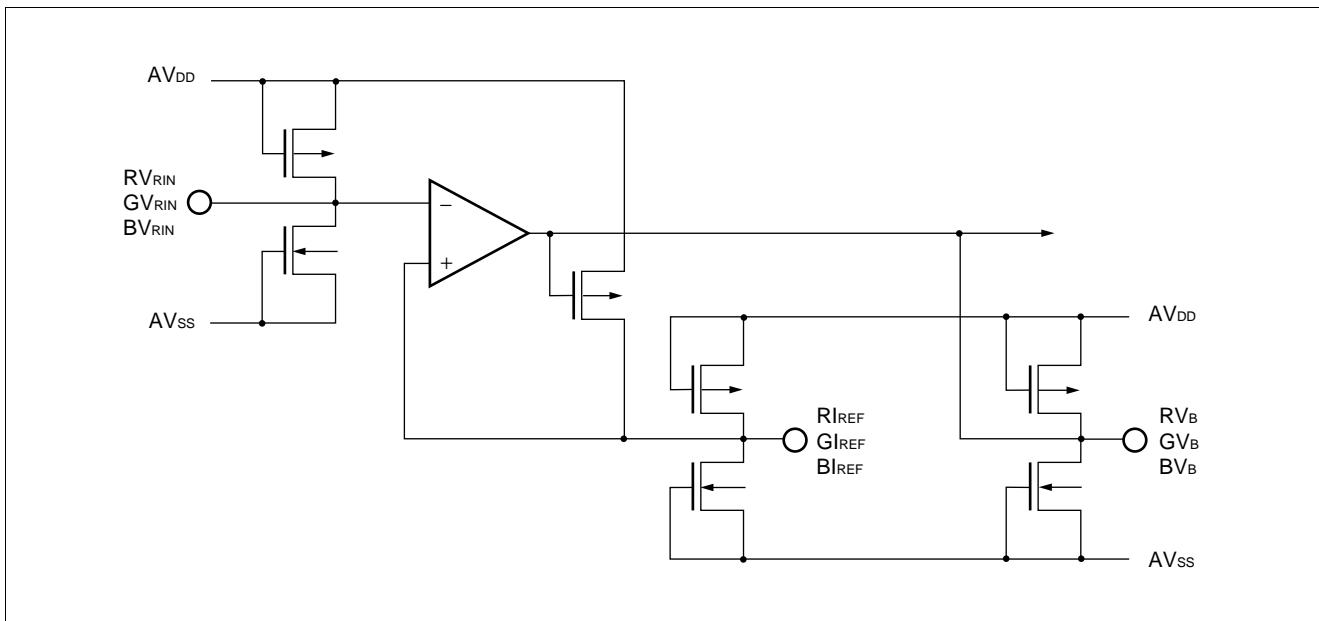
Parameter	Symbol	Condition	Value			Unit
			Min.	Typ.	Max.	
Maximum conversion rate	f_s	—	50	—	—	MSPS
Output propagation delay time	t_{pd}		—	10	—	ns
Output rising time	t_r		—	11	—	ns
Output falling time	t_f		—	11	—	ns
Setting time	t_{set}		—	30	—	ns

■ EQUIVALENT CIRCUIT

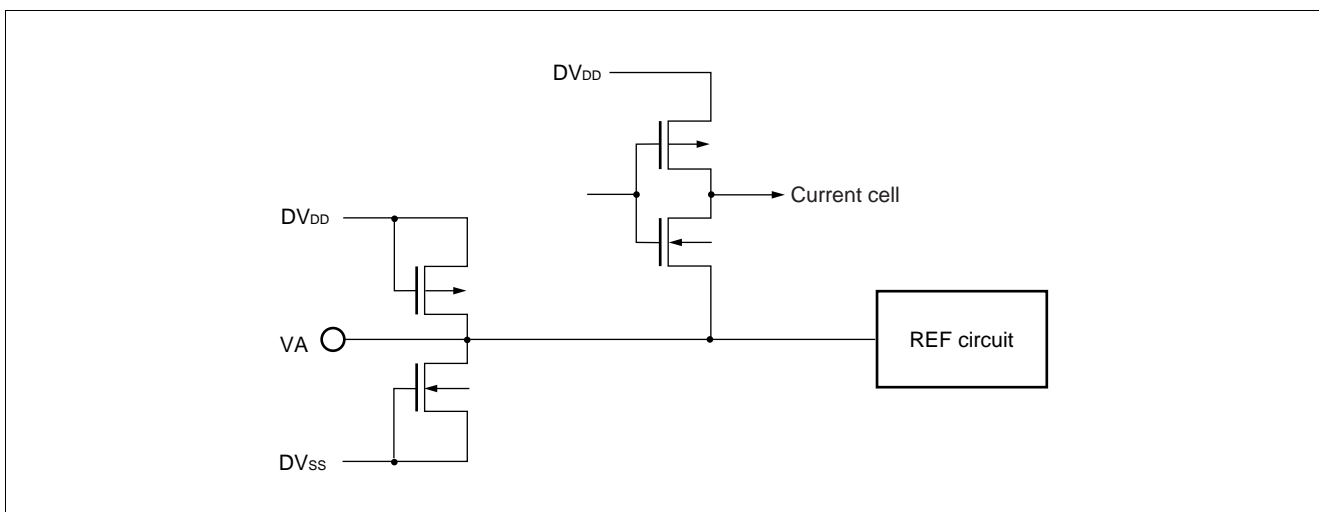
- Digital input



- Reference voltage input

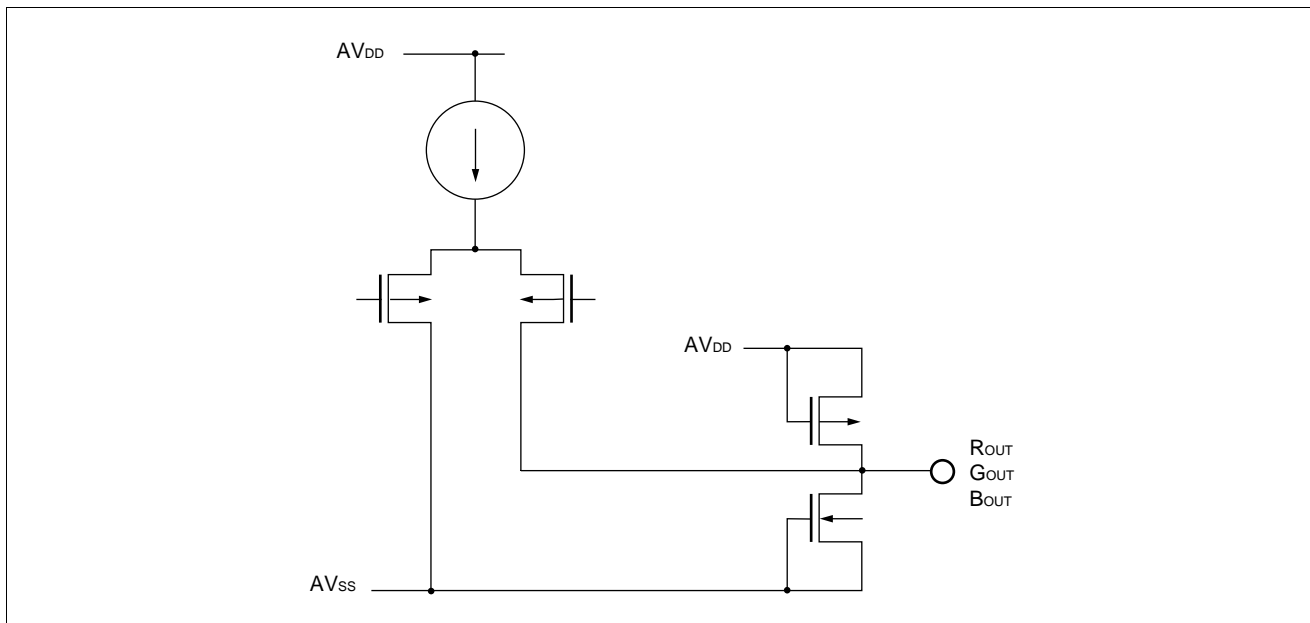


- VA pin

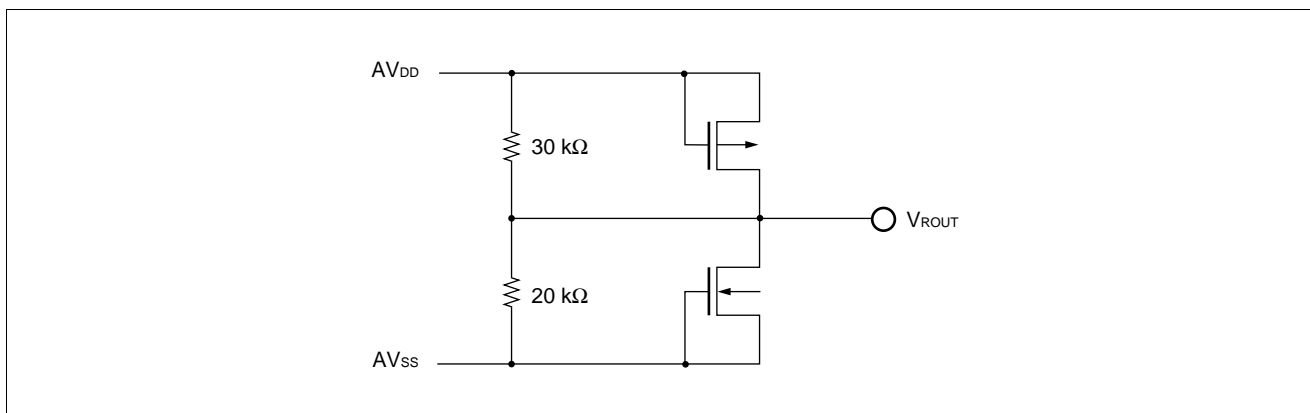


MB40C958V

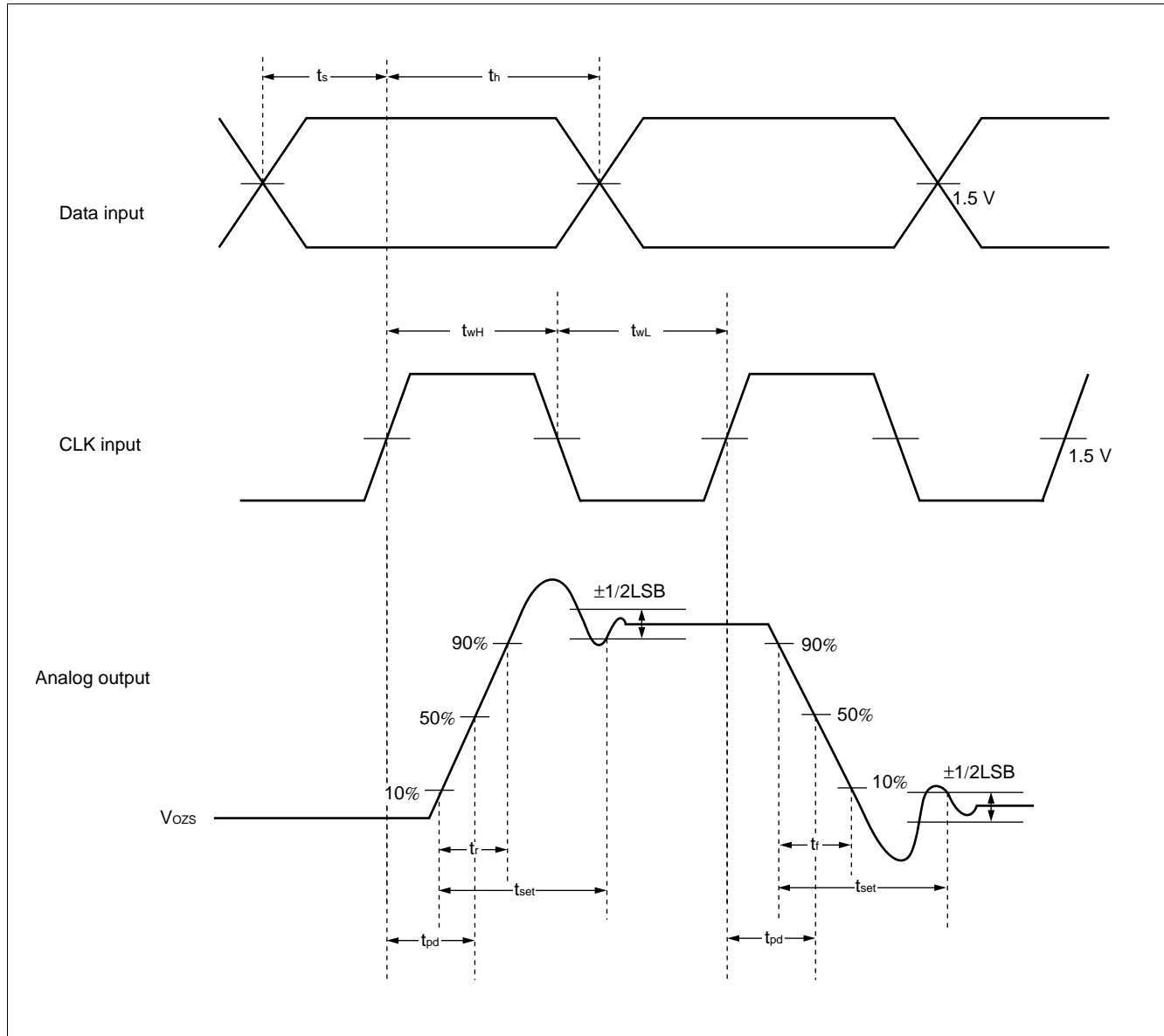
- Analog output



- Reference voltage output

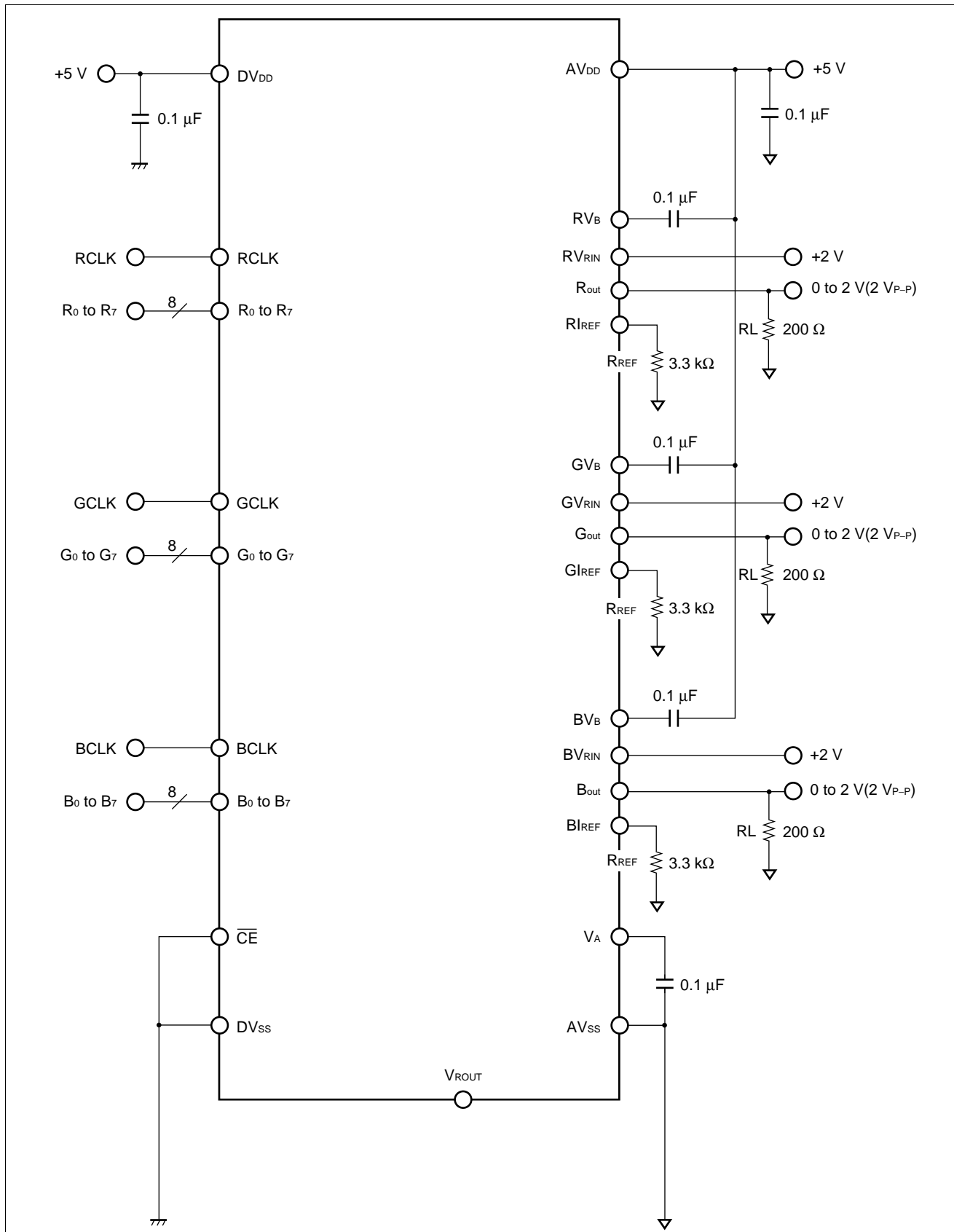


■ TIMING DIAGRAM



MB40C958V

■ TYPICAL APPLICATION



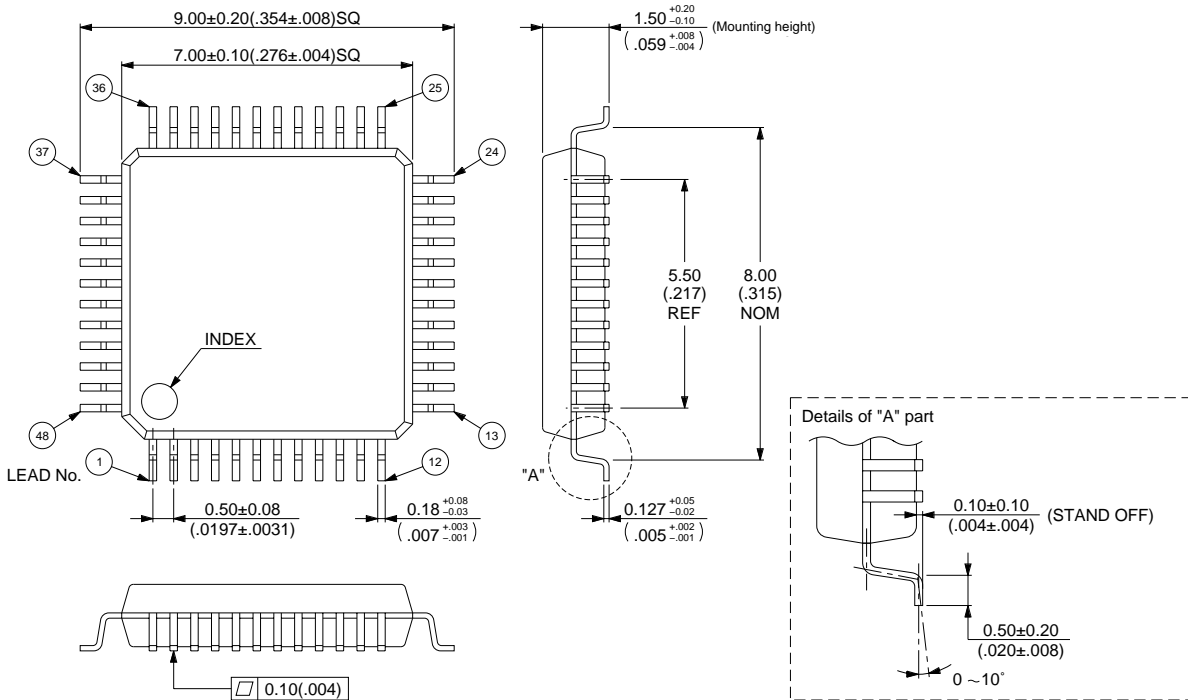
■ ORDERING INFORMATION

Part number	Package	Remarks
MB40C958VPFV	48-pin Plastic LQFP (FPT-48P-M05)	

MB40C958V

■ PACKAGE DIMENSION

48-pin Plastic LQFP
(FPT-48P-M05)



© 1995 FUJITSU LIMITED F48013S-2C-5

Dimensions in mm (inches).

FUJITSU LIMITED

For further information please contact:

Japan

FUJITSU LIMITED
Corporate Global Business Support Division
Electronic Devices
KAWASAKI PLANT, 4-1-1, Kamikodanaka
Nakahara-ku, Kawasaki-shi
Kanagawa 211-8588, Japan
Tel: 81(44) 754-3763
Fax: 81(44) 754-3329

<http://www.fujitsu.co.jp/>

North and South America

FUJITSU MICROELECTRONICS, INC.
Semiconductor Division
3545 North First Street
San Jose, CA 95134-1804, USA
Tel: (408) 922-9000
Fax: (408) 922-9179

Customer Response Center
Mon. - Fri.: 7 am - 5 pm (PST)
Tel: (800) 866-8608
Fax: (408) 922-9179

<http://www.fujitsumicro.com/>

Europe

FUJITSU MIKROELEKTRONIK GmbH
Am Siebenstein 6-10
D-63303 Dreieich-Buchsschlag
Germany
Tel: (06103) 690-0
Fax: (06103) 690-122

<http://www.fujitsu-edo.com/>

Asia Pacific

FUJITSU MICROELECTRONICS ASIA PTE LTD
#05-08, 151 Lorong Chuan
New Tech Park
Singapore 556741
Tel: (65) 281-0770
Fax: (65) 281-0220

<http://www.fmap.com.sg/>

F9809

© FUJITSU LIMITED Printed in Japan

All Rights Reserved.

The contents of this document are subject to change without notice. Customers are advised to consult with FUJITSU sales representatives before ordering.

The information and circuit diagrams in this document are presented as examples of semiconductor device applications, and are not intended to be incorporated in devices for actual use. Also, FUJITSU is unable to assume responsibility for infringement of any patent rights or other rights of third parties arising from the use of this information or circuit diagrams.

FUJITSU semiconductor devices are intended for use in standard applications (computers, office automation and other office equipment, industrial, communications, and measurement equipment, personal or household devices, etc.).

CAUTION:

Customers considering the use of our products in special applications where failure or abnormal operation may directly affect human lives or cause physical injury or property damage, or where extremely high levels of reliability are demanded (such as aerospace systems, atomic energy controls, sea floor repeaters, vehicle operating controls, medical devices for life support, etc.) are requested to consult with FUJITSU sales representatives before such use. The company will not be responsible for damages arising from such use without prior approval.

Any semiconductor devices have an inherent chance of failure. You must protect against injury, damage or loss from such failures by incorporating safety design measures into your facility and equipment such as redundancy, fire protection, and prevention of over-current levels and other abnormal operating conditions.

If any products described in this document represent goods or technologies subject to certain restrictions on export under the Foreign Exchange and Foreign Trade Law of Japan, the prior authorization by Japanese government will be required for export of those products from Japan.