



## DESCRIPTION

The ES2845S/ES2851S SuperLink™-MLP16 solution provides the first true simultaneous, concurrent, triple-technology connectivity: 16 Mbps Home Phoneline Networking Alliance (HomePNA 2.0), 10/100 IEEE 802.3 Fast Ethernet LAN, and V.90/V.92 56k HSP modem. This triple-technology solution enables end users to enjoy the increased flexibility needed in today's complex world of communications.

The ES2845S combines a HomePNA 2.0-compliant MAC/PHY device, a 10/100 IEEE 802.3 MAC device, and a V.90/V.92 56k HSP modem with an analog telephone line interface and a PCI 2.2-compliant bus interface designed into the device architecture. This advanced high-level dual-MAC device integration allows the use of the ES2845S for desktop and laptop systems as a host-based modem solution, a 10/100 Ethernet connection, or a home network connection that complies with the 16-Mbps (HomePNA 2.0) specification, either individually or concurrently.

The ES2851S is the analog front end device for the SuperLink-MLP16 solution, and provides the HomePNA 2.0 line interface functionality. Only minimal additional components, such as resistive hybrids and assorted magnetics, are required to implement the HomePNA 2.0 line interface functionality.

The ES2845S is available in an industry-standard 128-pin low-profile quad flat pack (LQFP) package. The ES2851S is available in an industry-standard 48-pin LQFP package.

## HomePNA FEATURES

- Fully compliant with HPNA 2.0 collision resolution specification for packet buffering, collision detection, and retransmission logic.
- Adaptive equalizer for robust packet filtering over time and impaired channels.
- Address filtering.
- Highly integrated MAC/PHY, supporting both HomePNA 2.0 and HomePNA 1.1:
  - ES2845S HomePNA/LAN/Modem.
  - ES2851S HomePNA AFE.
- Compliant with HomePNA 10M8 (HomePNA 2.0) and 1M8 (HomePNA 1.1) Interface specifications:
  - Automatic mode configuration switches between Home PNA 2.0/1.1 modulation and protocol, based on capabilities of the remote station on the network.
  - Supports automatic rate adaptation (HomePNA 2.0 4 Mbps to 16 Mbps).

- Quality-of-service (QoS) support:
  - Eight-level packet priority.
  - Dynamic priority remapping.
  - Distributed fair priority queuing (DFPQ) MAC extension for low-latency multimedia packets.
- Compatible with existing telephone services:
  - Basic telephony (POTS).
  - G.992.1 DMT full-rate ADSL and G.992.2 G.Lite ADSL
  - ISDN voice and data services.
- Integrated crystal oscillator.
- 10-bit current steering DAC.
- 12-bit ADC.
- Variable gain amplifiers.
- Line drivers.

## LAN FEATURES

- Highly integrated MAC supporting dual-speed 10/100-Mbps Ethernet LAN.
- Wake-on-LAN and RJ-45 Ethernet connections.
- Integrated media independent interface (MII) and reduced media independent interface (RMII) for connecting to external 10/100-Mbps PHY transceiver.
- Full-duplex operation support in both MII/RMII ports with independent TX and RX channels.

## MODEM FEATURES

- V.90/V.92-D/F/TAM modem.
- Integrated low-voltage DAA circuit.
- Compliant with PC2001 system design guidelines.
- Wake-on-ring, caller ID, and RJ-11 tip-and-ring connections.
- Worldwide homologation and ITU V.250, V.251, and V.253.

## POWER MANAGEMENT

- Supports ACPI 2.0 and Rev 1.1 of PCI Bus Power Management Interface Specification.
- PCI 2.2 bus interface supports both 3.3V and 5.0V signaling.
- Separate 1.5V and 3.3V digital power supplies utilized.
- Link integrity functions.

**DRIVER SOFTWARE SUPPORT (HomePNA 2.0/ LAN)**

- Windows 98SE/ME/2000/XP.
- NDIS 5.0.

**DRIVER SOFTWARE SUPPORT (Modem)**

- Windows 98SE/ME/2000/XP.

**ES2845S PINOUT**

Figure 1 depicts the device pinout for the ES2845S.

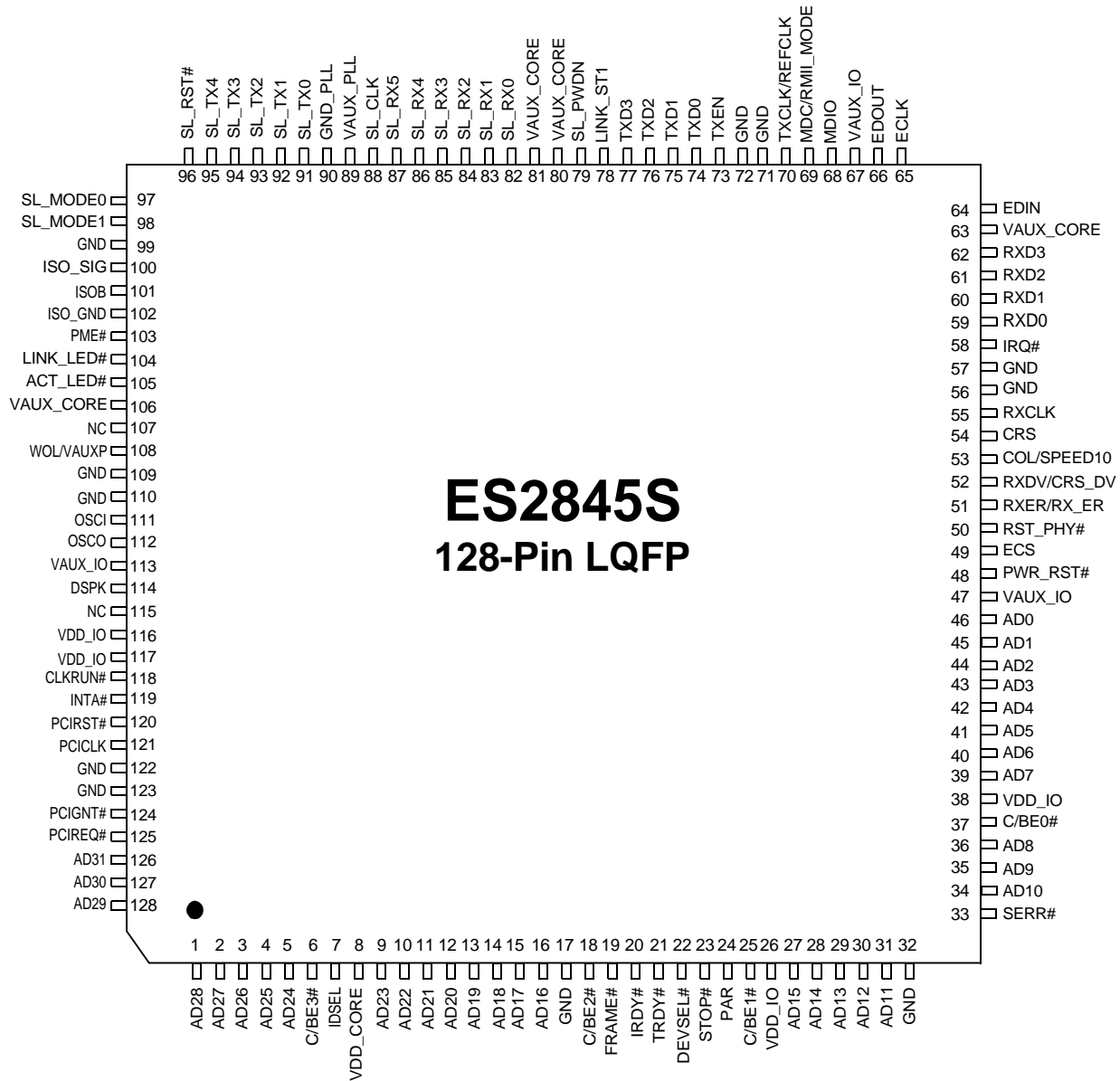


Figure 1 ES2845S Device Pinout

## ES2845S PIN DESCRIPTION

Table 1 lists the pin descriptions for the ES2845S.

Table 1 ES2845S Pin Description

Names	Pin Numbers	I/O	Definitions
AD[31:0]	126:128, 1:5, 9:16, 27:31, 34:36, 39:46	I/O	Address and data lines from the PCI bus.
C/BE[3:0]#	6, 18, 25, 37	I/O	PCI command/byte enable. During address phase of a transaction, these pins define the bus command. During data phase, these pins define the byte enable.
IDSEL	7	I	ID select.
VDD_CORE	8	P	1.5V VDD core power supply.
GND	17, 32, 56, 57, 71, 72, 99, 109, 110, 122, 123	G	Ground.
FRAME#	19	I/O	Cycle frame.
IRDY#	20	I/O	Initiator ready.
TRDY#	21	I/O	Target ready.
DEVSEL#	22	I/O	Device select .
STOP#	23	I/O	Stop transaction.
PAR	24	I/O	Parity.
VDD_IO	26, 38, 116, 117	P	3.3V VDD I/O power supply.
SERR#	33	O	System bus error.
VAUX_IO	47, 67, 113	P	3.3V V <sub>AUX</sub> I/O power supply.
PWR_RST#	48	I	Power-on reset. This is an active-low input signal when a power-on-reset event occurs.
ECS	49	O	EEPROM chip select output for Ethernet/HomePNA.
RST_PHY#	50	O	Reset Ethernet PHY.
RXER	51	I	Receive error input for MII mode. Indicates that external Ethernet PHY transceiver has detected coding errors in receive data frame currently being transmitted to RXD[3:0]. RXER is ignored while RXDV is deasserted.
RX_ER		I	Receive error input for RMII mode. Indicates that external Ethernet PHY transceiver has detected coding errors in receive data frame currently being transmitted to RXD[1:0]. RX_ER is ignored while RX_DV is deasserted.
RXDV	52	I	Receive data valid from external Ethernet PHY. When selected as RXDV input, indicates valid received data is being presented to RXD[3:0] and that RXCLK is synchronous to the receive data. Asserted before rising edge of RXCLK and remains asserted until after rising edge of RXCLK.
CRS_DV		I	Carrier sense/receive data valid. Asserted asynchronously by the external Ethernet PHY when the receive medium is nonidle. In 10Base-T mode, carrier is detected when squelch is passed in RMII mode.
COL	53	I	Collision. When selected as COL, asserted by external Ethernet PHY whenever a collision is detected.
SPEED10		I	Speed select. Acts as toggle for 10-Mbps and 100-Mbps operation for external Ethernet PHY transceiver in RMII mode.
CRS	54	I	Carrier sense input from external Ethernet PHY.

**Table 1 ES2845S Pin Description (Continued)**

<b>Names</b>	<b>Pin Numbers</b>	<b>I/O</b>	<b>Definitions</b>
RXCLK	55	I	Receive clock input. Provides the nibble rate clock timing reference for the output transfer of RXDV, RXD[3:0], and RXER signals in MII mode. Provides the nibble rate clock timing reference for the output transfer of CRS_DV, RXD[1:0] and RX_ER in RMII mode. Operates at 2.5 MHz in 10 Mb/s (10Base-T) mode and 25 MHz in 100 Mb/s (100Base-T) mode.
IRQ#	58	I	Interrupt request from external Ethernet PHY (active-low).
RXD[3:0]	62:59	I	Receive data input pins from external Ethernet PHY. In RMII mode, only RXD[1:0] are defined.
VAUX_CORE	63, 80, 81, 106	P	1.5V V <sub>AUX</sub> core power supply.
EDIN	64	I	EEPROM data input for both Ethernet and HomePNA functions.
ECLK	65	O	EEPROM clock output for both Ethernet and HomePNA functions.
EDOUT	66	O	EEPROM data output for Ethernet and HomePNA functions.
MDIO	68	I/O	Functions as the MII management data input/output from external Ethernet PHY. Acts as an output during the header portion of management frame transfers and during the data portion of write operations. Also acts as an input during the data portion of read operations.
MDC	69	O	MII Management Data Clock output to external Ethernet PHY.
RMII_MODE		I	RMII_MODE enable. Strap option pin latched at power-on reset. The ES2845S supports both the MII and RMII modes of operation. When the RMII_MODE signal is high, the RMII mode of operation is supported. When the RMII_MODE signal is low at power-on reset, at power-on reset, the MII mode of operation is supported.
TXCLK	70	I	Transmit clock input from external Ethernet PHY. When selected as TXCLK, provides timing reference for transfer of the transmitted data in MII mode. Operates at 2.5 MHz in 10 Mb/s (10Base-T) mode and at 25 MHz in 100 Mb/s (100Base-T) mode.
REFCLK		I	Reference clock input. When selected as REFCLK, provides continuous clock timing reference from MAC engine for CRS_DV, RXD[1:0], TXEN, TXD[1:0], and RX_ER in RMII mode. Operates at 50 MHz $\pm$ 50 ppm, with a duty cycle between 35% and 65% in RMII mode.
TXEN	73	O	Transmit enable pin to external Ethernet PHY. This pin indicates that ES2845S is presenting valid data on TXD[3:0].
TXD[3:0]	77:74	O	Transmit data output pins to external Ethernet PHY. In RMII mode, only TXD[1:0] are defined.
LINK_ST1	78	I	Link status Interface input from external Ethernet PHY.
SL_PWDN	79	O	Power down control output pin to ES2851S.
SL_RX[5:0]	87:82	I	Receive data input pins from ES2851S.
SL_CLK	88	I	Crystal clock input from ES2851S, operated at 64 MHz.
VAUX_PLL	89	P	1.5V V <sub>AUX</sub> PLL power supply.
GND_PLL	90	G	Ground for internal PLL.
SL_TX[4:0]	95:91	O	Transmit data output to ES2851S.
SL_RST#	96	O	Reset output to ES2851S (active-low).
SL_MODE [1:0]	98:97	O	Mode select output pins to ES2851S.



Table 1 ES2845S Pin Description (Continued)

Names	Pin Numbers	I/O	Definitions
ISO_SIG	100	I/O	DAA module isolation signal interface input/output.
ISOB	101	O	Analog supply voltage.
ISO_GND	102	I	DAA module isolation ground.
PME#	103	O	Power management enable interrupt output to wake up the system.
LINK_LED#	104	O/D	Open drain pin; indicator of good link for Home PNA PHY operation.
ACT_LED#	105	O/D	Open drain pin; link activity indicator at transmit or receive data.
NC	107, 115	—	No connect.
VAUXP	108	I	Strap option pin. $V_{AUX}$ support detection pin. $V_{AUXP}$ is driven high at reset to indicate that ACPI is supported with <b>D3<sub>cold</sub></b> state. No support when driven low.
WOL		O	Wake-on-LAN signal output. The ES2845S asserts this signal if a change is detected in link status, Magic Packet™, or sample frame events.
OSCI	111	I	Crystal clock input operates at 19.6608 MHz to use on-chip silicon DAA module.
OSCO	112	O	Crystal clock output.
DSPK	114	O	Modem speaker digital output.
CLKRUN#	118	I/O	Input/output for PCI clock status and output to start or accelerate clock function.
INTA#	119	OD	Interrupt A request output, active-low. INTA# is the level triggered interrupt pin dedicated to servicing internal device interrupt requests.
PCIRST#	120	I	PCI bus reset.
PCICLK	121	I	PCI bus clock input.
PCIGNT#	124	I	PCI grant input.
PCIREQ#	125	O	PCI request output.

## ES2851S PINOUT

Figure 2 depicts the device pinout for the ES2851S.

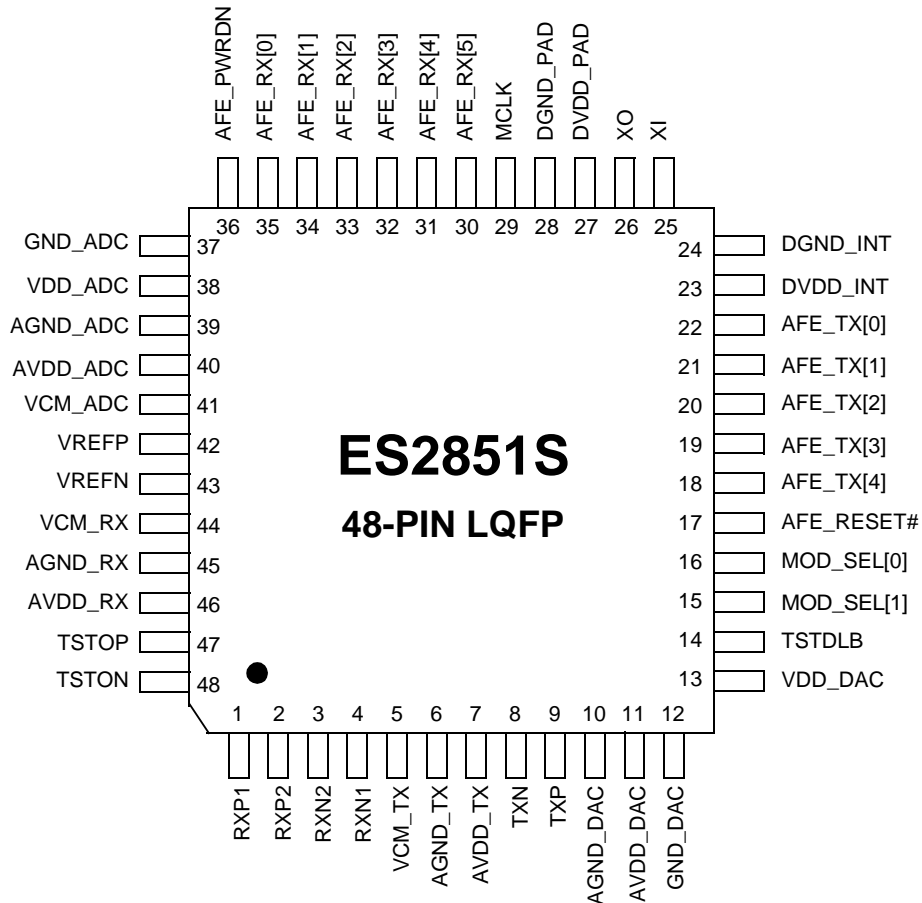


Figure 2 ES2851S Device Pinout

## ES2851S PIN DESCRIPTION

Table 2 lists the pin descriptions for the ES2851S.

Table 2 ES2851S Pin Descriptions

Names	Pin Numbers	I/O	Definitions
RXP1	1	I	Positive analog receive 1 input.
RXP2	2	I	Positive analog receive 2 input.
RXN2	3	I	Negative analog receive 2 input.
RXN1	4	I	Negative analog receive 1 input.
VCM_TX	5	O	Decoupling pin for transmit filter common-mode voltage.
AGND_TX	6	G	Analog ground for transmit section.
AVDD_TX	7	P	+3.3V analog power for transmit section.
TXN	8	O	Negative analog transmit output.
TXP	9	O	Positive analog transmit output.
AGND_DAC	10	G	Analog ground for DAC.
AVDD_DAC	11	P	+3.3V analog power for DAC.
GND_DAC	12	G	Digital ground for DAC.



Table 2 ES2851S Pin Descriptions (Continued)

Names	Pin Numbers	I/O	Definitions
VDD_DAC	13	P	+3.3V digital power supply for DAC.
TSTDLB	14	I	Digital loopback enable (active-high).
MOD_SEL[1:0]	15, 16	I	AFE_TX mode select bits [1:0].
AFE_RESET#	17	I	AFE reset input (active-low).
AFE_TX	18:22	I	Digital transmit data to AFE.
DVDD_INT	23	P	+3.3V digital power supply.
DGND_INT	24	G	Digital ground.
XI	25	I	Crystal clock input.
XO	26	O	Crystal clock output.
DVDD_PAD	27	P	+3.3V digital power supply.
DGND_PAD	28	G	Digital ground.
MCLK	29	O	64-MHz clock output.
AFE_RX	30:35	O	Receive data from AFE.
AFE_PWRDN	36	I	AFE power down input (active-high).
GND_ADC	37	G	ADC ground.
VDD_ADC	38	P	3.3V supply for ADC digital section.
AGND_ADC	39	G	Analog ground for ADC.
AVDD_ADC	40	P	+3.3V analog power for ADC.
VCM_ADC	41	O	Decoupling pin for ADC common-mode voltage.
VREFP	42	O	Decoupling pin for ADC positive reference voltage.
VREFN	43	O	Decoupling pin for ADC negative reference voltage.
VCM_RX	44	O	Decoupling pin for RX filter/gain stage common-mode voltage.
AGND_RX	45	G	Analog ground for receive filter/ gain stage.
AVDD_RX	46	P	+3.3V analog power for receive filter/gain stage.
TSTOP	47	O	Analog positive test output.
TSTON	48	O	Analog negative test output.

**ORDERING INFORMATION**

Part Number	Description	Package
ES2845S	HomePNA LAN HSP Controller	128-pin LQFP
ES2851S	HomePNA 2.0 Analog Front End	48-pin LQFP
ES2831S	10/100 Ethernet PHY Transceiver	100-pin LQFP
ES2850J	High-Voltage SiDAA	16-pin SOIC



**ESS Technology, Inc.**  
**48401 Fremont Blvd.**  
**Fremont, CA 94538**  
**Tel: (510) 492-1088**  
**Fax: (510) 492-1898**

No part of this publication may be reproduced, stored in a retrieval system, transmitted, or translated in any form or by any means, electronic, mechanical, manual, optical, or otherwise, without the prior written permission of ESS Technology, Inc.

ESS Technology, Inc. makes no representations or warranties regarding the content of this document.

All specifications are subject to change without prior notice.

ESS Technology, Inc. assumes no responsibility for any errors contained herein.

(P) U.S. patents pending.

All trademarks are owned by their respective holders and are used for identification purposes only.