

## GENERAL DESCRIPTION

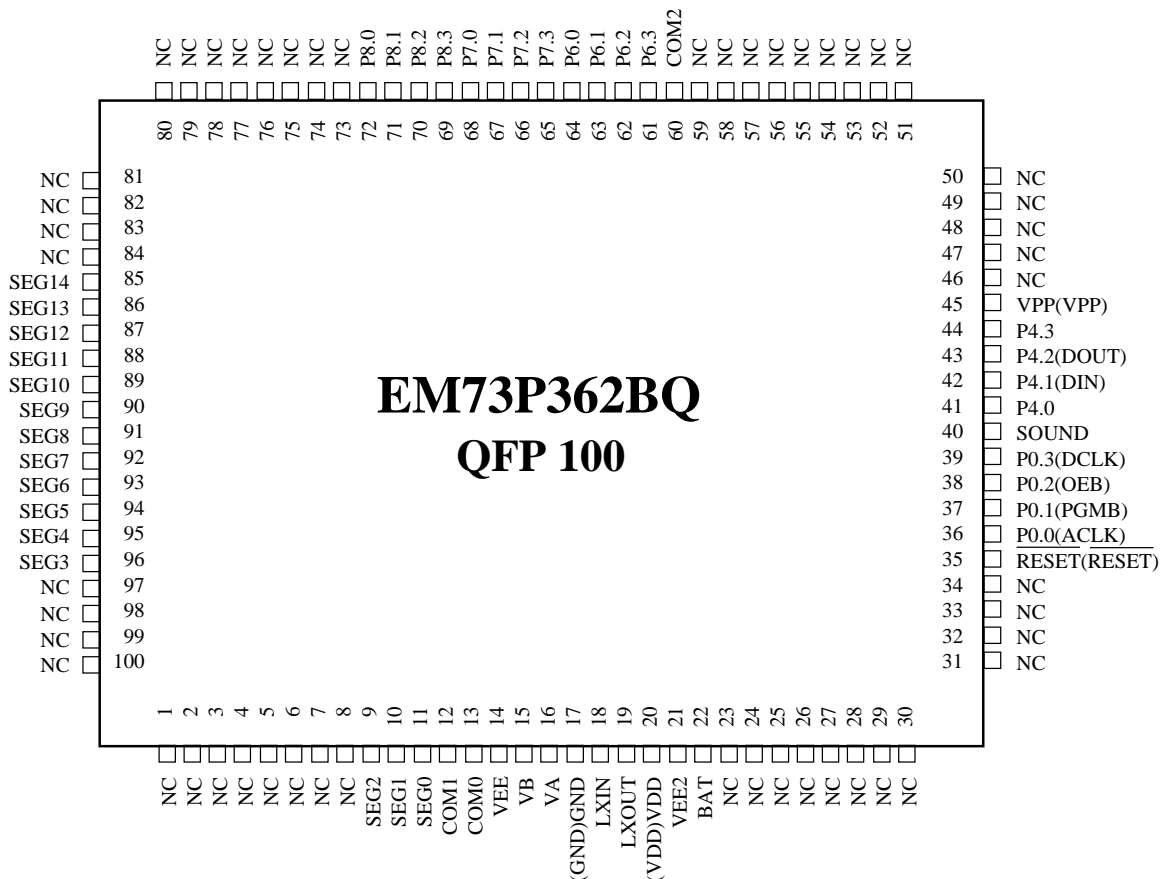
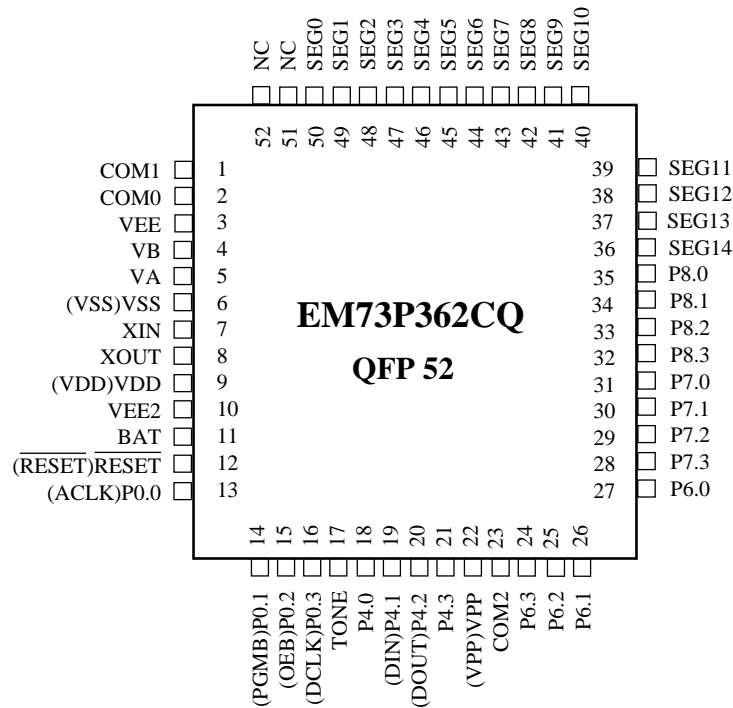
EM73P362 is an advanced single chip CMOS 4-bit one-time-programmable (OTP) micro-controller. It contains 3K-byte ROM, 52-nibble RAM, 4-bit ALU, 13-level subroutine nesting, 22-stage time base, one 12-bit timer for the kernel function and one high speed counter. EM73P362 also contains 5 interrupt sources, 1 input port, 4 bidirection ports, built-in watch-dog-timer and LCD driver (27x3 to 15x3).

Except low-power consumption and high speed, EM73P362 has the STOP mode and IDLE mode operation for power saving function.

## FEATURES

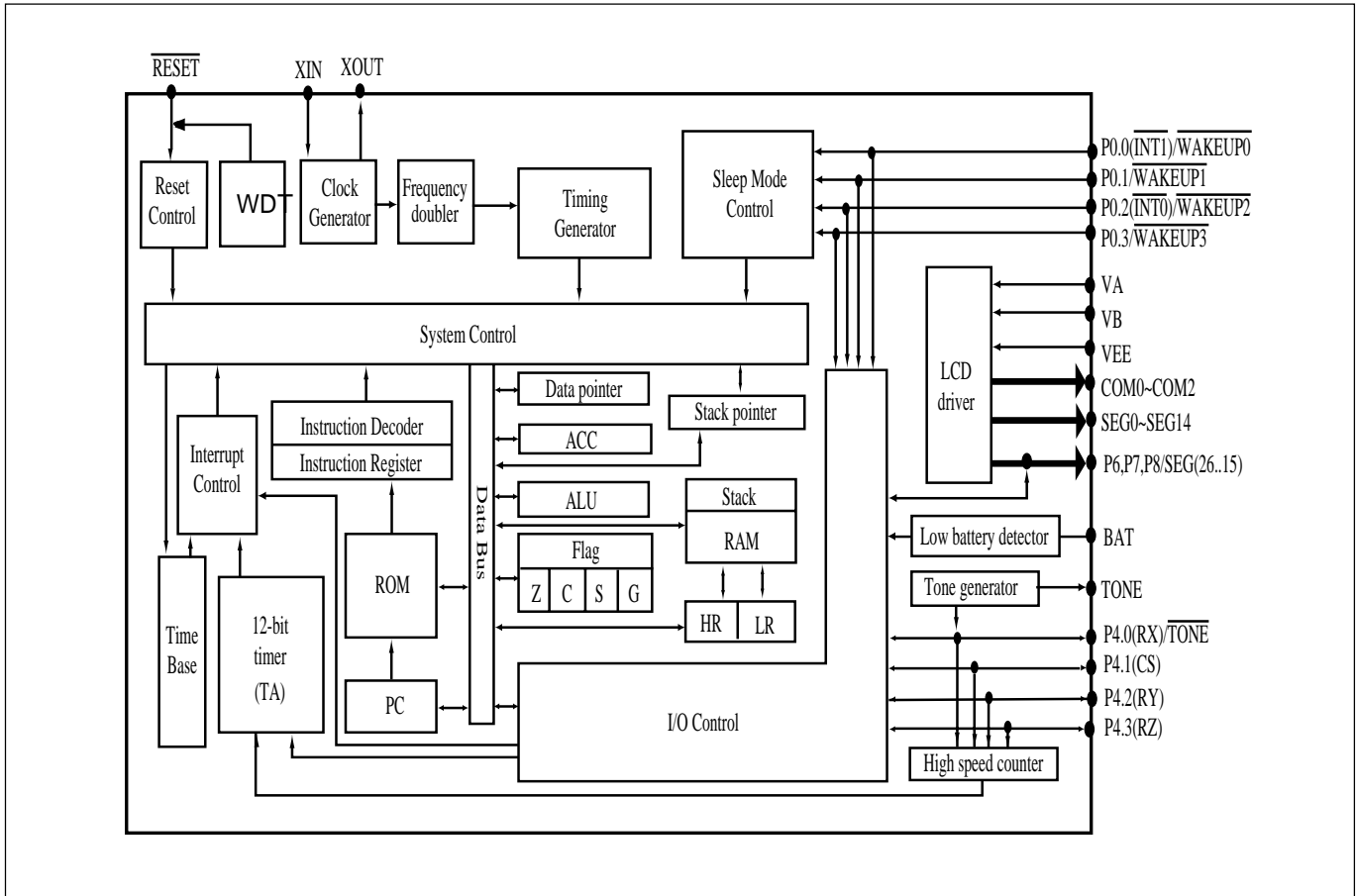
- Operation voltage : 1.3V to 1.8V. (clock frequency : 32K Hz)
- Clock source : Single clock system for crystal, connect a external resistor or external clock source, available by mask option.
- Instruction set : 109 powerful instructions.
- Instruction cycle time : Up to 122 $\mu$ s for 32 K Hz.
- ROM capacity : 3072 x 8 bits.
- RAM capacity : 52 x 4 bits.
- Input port : 1 port (4-bit).
- Bidirection port : 4 ports (P4, P6, P7, P8) are available by mask option. P4 is a high current port. (P4.0 and TONE available by mask option. P4.1~P4.3 are shared with the input/output of RFO.) P6, P7 and P8 are shared with SEG15-SEG26.
- 12-bit timer : One 12-bit timer is programmable for timer.
- High speed counter : The high speed counter includes one 8-bit high speed counter, one 12-bit general counter and a resistor frequency oscillator. It has resistor to frequency oscillation mode, melody mode and auto load timer mode.
- Built-in time base counter: 22 stages.
- Subroutine nesting : Up to 13 levels.
- Interrupt : External interrupt . . . . . 2 input interrupt sources.  
Internal interrupt . . . . . 2 timer overflow interrupts,  
1 time base interrupt.
- LCD driver : 27x3 to 15x3 dots available by mask option. 1/3, 1/2 and static three kinds of duty (1/2 bias) selectable. The programming method of LCD driver is RAM mapping.
- Built-in watch-dog-timer is available by mask option.
- Built-in low battery detector.
- Power saving function : STOP mode and IDLE mode.
- Package type : Chip form 50 pins.  
QFP 52 pins (CQ).  
QFP 100 pins (BQ).

**PIN ASSIGNMENT**



Remark : In ( ) pin used for OTP programming.

**FUNCTION BLOCK DIAGRAM**



**PIN DESCRIPTIONS**

Pin name	Function	Pin type
VDD	Power supply (+), Power supply (+) for programming OTP	
VSS	Power supply (-), Power supply (-) for programming OTP	
RESET	System reset input signal, low active mask option : none pull-up	RESET_A
XIN	Crystal / external resistor or external clock source connecting pin	OSC_A / OSC_F
XOUT	Crystal / external resistor connecting pin	OSC_A / OSC_F
P0.0(INT1)/WAKEUP0, P0.2(INT0)/WAKEUP2	2-bit input pins with external interrupt sources input and STOP/IDLE releasing function mask option : wake-up enable, pull-up wake-up enable, none wake-up disable, pull-up wake-up disable, pull-down wake-up disable, none  In programming OTP mode: P0.0/ACLK : address counter clock for programming OTP P0.2/OEB : data output enable for programming OTP	INPUT_J

**PIN DESCRIPTIONS**

Pin name	Function	PIN type
P0(1,3)/ $\overline{\text{WAKEUP1,3}}$	2-bit input pins with STOP / IDLE releasing function mask option : wakeup enable, pull-up wakeup enable, none wakeup disable, pull-up wakeup disable, pull-down wakeup disable, none In programming OTP mode : P0.1/PGMB : program data to OTP cells for programming OTP P0.3/DCLK : data in/out clock signal for programming OTP	INPUT_H
P4.0(RX)/ $\overline{\text{TONE}}$	1-bit bidirection I/O pin or inverse sound effect output or RF oscillation mask option : $\overline{\text{TONE}}$ enable, push-pull, high current PMOS $\overline{\text{TONE}}$ disable, open-drain(apply to RF oscillation) $\overline{\text{TONE}}$ disable, push-pull, high current PMOS $\overline{\text{TONE}}$ disable, push-pull, low current PMOS	I/O_O
P4.1(CS)	1-bit bidirection I/O pin or RF oscillation bias pin mask option : open-drain(apply to RF oscillation) push-pull, high current PMOS push-pull, low current PMOS In programming OTP mode : P4.1/DIN : data input for programming OTP	I/O_X
P4.2(RY)	1-bit bidirection I/O pins or RF oscillation input pins mask option : open-drain(apply to RF oscillation) push-pull, high current PMOS push-pull, low current PMOS In programming OTP mode : P4.2/DOUT : data output for programming OTP	I/O_Y
P4.3(RZ)	1-bit bidirection I/O pins or RF oscillation input pins mask option : open-drain(apply to RF oscillation) push-pull, high current PMOS push-pull, low current PMOS	I/O_Y
P6(0..3)/SEG(23..26), P7(0..3)/SEG(19..22), P8(0..3)/SEG(15..18)	12-bit bidirection I/O pins are shared with LCD segment pin mask option : segment enable, open-drain segment disable, open-drain segment disable, push-pull, high current PMOS segment disable, push-pull, low current PMOS	I/O_O
BAT	Connect the capacitor for built-in low battery detector	
TONE	Built-in tone generator output	
VA, VB, VEE	Connect the capacitors for LCD bias voltage	
VEE2	Used for LCD bias voltage Connect to VDD	
COM0 ~ COM2	LCD common output pins	
SEG0 ~ SEG14	LCD segment output pins	
VPP	In normal mode : No connection (Floating) In programming OTP mode : VPP : high voltage (12V) power source for programming OTP	

## FUNCTION DESCRIPTIONS

### PROGRAM ROM ( 3K X 8 bits )

3 K x 8 bits program ROM contains user's program and some fixed data.

The basic structure of program ROM can be divided into 4 parts.

1. Address 000h: Reset start address.
2. Address 002h - 00Ch : 5 kinds of interrupt service routine entry addresses.
3. Address 00Eh-086h : SCALL subroutine entry address, only available at 00Eh,016h,01Eh,026h, 02Eh, 036h, 03Eh, 046h, 04Eh, 056h, 05Eh, 066h, 06Eh, 076h, 07Eh, 086h.
4. Address 000h - 7FFh : LCALL subroutine entry address.
5. Address 000h - BFFh : Except used as above function, the other region can be used as user's program region.

address	3072 x 8 bits
000h	Reset start address
002h	INT0; External interrupt service routine entry address
004h	
006h	TRGA; Timer/counter A interrupt service routine entry address
008h	TRGB; Timer/counter B interrupt service routine entry address
00Ah	TBI; Time base interrupt service routine entry address
00Ch	INT1; External interrupt service routine entry address
00Eh	- - - SCALL, subroutine call entry address
086h	
⋮	
BFFh	

User's program and fixed data are stored in the program ROM. User's program is according the PC value to send next executed instruction code. Fixed data can be read out by table-look-up instruction. Table-look-up instruction is depended on the Data Pointer (DP) to indicate to ROM address, then to get the ROM code data.

**LDAX**      **Acc ← ROM[DP]<sub>L</sub>**  
**LDAXI**     **Acc ← ROM[DP]<sub>H</sub>, DP+1**

DP is a 12-bit data register which can store the program ROM address to be the pointer for the ROM code data. First, user load ROM address into DP by instruction "STADPL, STADPM, STADPH", then user can get the lower nibble of ROM code data by instruction "LDAX" and higher nibble by instruction "LDAXI".

PROGRAM EXAMPLE: Read out the ROM code of address 777h by table-look-up instruction.

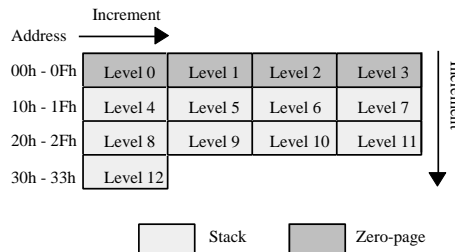
```

LDIA #07h;
STADPL   ; [DP]L ← 07h
STADPM   ; [DP]M ← 07h
STADPH   ; [DP]H ← 07h, Load DP=777h
:
LDL #00h;
LDH #03h;
LDAX     ; ACC ← 6h
STAMI    ; RAM[30] ← 6h
LDAXI    ; ACC ← 5h
STAM     ; RAM[31] ← 5h
;
ORG 777h
DATA 56h;
:

```

**DATA RAM ( 52-nibble )**

There is total 52 - nibble data RAM from address 00 to 33h  
Data RAM includes 3 parts: zero page region, stacks and data area.



**ZERO- PAGE:**

From 00h to 0Fh is the location of zero-page. It is used as the pointer in zero-page addressing mode for the instruction of "STD #k,y; ADD #k,y; CLR y,b; CMP k,y".

PROGRAM EXAMPLE: To wirte immediate data "07h" to address "03h" of RAM and to clear bit 2 of RAM.

```

STD #07h, 03h ; RAM[03] ← 07h
CLR 0Eh,2 ; RAM[0Eh]2 ← 0

```

**STACK:**

There are 13-level (maximum) stack for user using for subroutine (including interrupt and CALL). User can assign any level be the starting stack by giving the level number to stack pointer (SP).

When user using any instruction of CALL or subroutine, before entry the subroutine, the previous PC address will be saved into stack until return from those subroutines, the PC value will be restored by the data saved in stack.

**DATA AREA:**

Except the special area used by user, the whole RAM can be used as data area for storing and loading general data.

**ADDRESSING MODE**
**(1) Indirect addressing mode:**

Indirect addressing mode indicates the RAM address by specified HL register.

For example: LDAM ; Acc ← RAM[HL]  
 STAM ; RAM[HL] ← Acc

**(2) Direct addressing mode:**

Direct addressing mode indicates the RAM address by immediate data.

For example: LDA x ; Acc ← RAM[x]  
 STA x ; RAM[x] ← Acc

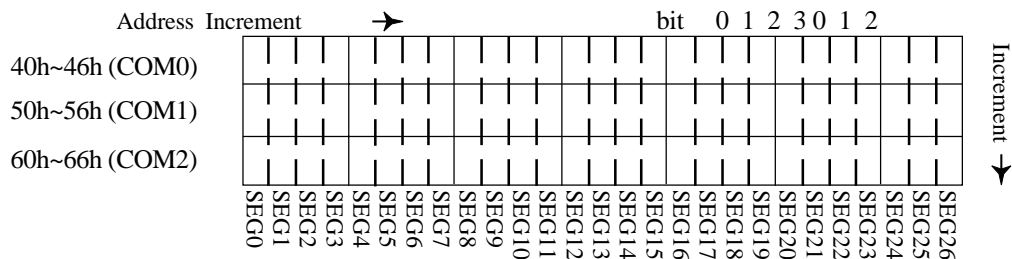
**(3) Zero-page addressing mode**

For zero-page region, user can using direct addressing to write or do any arithmetic, comparison or bit manipulated operation directly.

For example: STD #k,y ; RAM[y] ← #k  
 ADD #k,y ; RAM[y] ← RAM[y] + #k

**LCD DISPLAY RAM**

RAM address from 40h ~ 46h, 50h ~ 56h, 60h ~ 66h are LCD display RAM, the RAM data of this region can't be operated by instruction "LDHL xx" and "EXHL".


**PROGRAM COUNTER (3K ROM)**

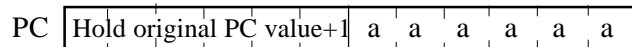
Program counter ( PC ) is composed by a 12-bit counter, which indicates the next executed address for the instruction of program ROM.

For a 3K - byte size ROM, PC can indicate address form 000h - BFFh, for BRANCH and CALL instructions, PC is changed by instruction indicating.

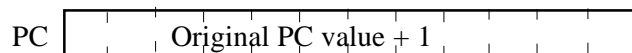
**(1) Branch instruction:**
**SBR a**

Object code: 00aa aaaa

Condition: SF=1; PC ← PC<sub>11-6,a</sub> ( branch condition satisfied )

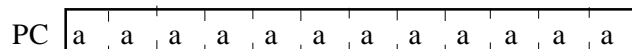


SF=0; PC ← PC + 1 ( branch condition not satisfied)


**LBR a**

Object code: 1100 aaaa aaaa aaaa

Condition: SF=1; PC ← a ( branch condition satisfied)







**INTI** (External interrupt from P0.0)

PC 

0	0	0	0	0	0	0	0	0	1	1	0	0
---	---	---	---	---	---	---	---	---	---	---	---	---

**(4) Reset operation:**

PC 

0	0	0	0	0	0	0	0	0	0	0	0	0
---	---	---	---	---	---	---	---	---	---	---	---	---

**(5) Other operations:**

- For 1-byte instruction execution: PC + 1
- For 2-byte instruction execution: PC + 2

**ACCUMULATOR**

Accumulator is a 4-bit data register for temporary data. For the arithmetic, logic and comparative operation ..., ACC plays a role which holds the source data and result.

**FLAGS**

There are four kinds of flag, CF (Carry flag), ZF (Zero flag), SF (Status flag) and GF (General flag), these 4 1-bit flags are affected by the arithmetic, logic and comparative .... operation. All flags will be put into stack when an interrupt subroutine is served, and the flags will be restored after RTI instruction executed.

(1) Carry Flag ( CF )

The carry flag is affected by following operation :

- a. Addition : CF as a carry out indicator, when the addition operation has a carry-out, CF will be "1", in another word, if the operation has no carry-out, CF will be "0".
- b. Subtraction : CF as a borrow-in indicator, when the subtraction operation must has a borrow, in the CF will be "0", in another word, if no borrow-in, CF will be "1".
- c. Comparison: CF is as a borrow-in indicator for Comparison operation as the same as subtraction operation.
- d. Rotation: CF shifts into the empty bit of accumulator for the rotation and holds the shift out data after rotation.
- e. CF test instruction : For TFCFC instruction, the content of CF sends into SF then clear itself "0". For TTSEFC instruction, the content of CF sends into SF then set itself "1".

(2) Zero Flag ( ZF )

ZF is affected by the result of ALU, if the ALU operation generate a "0" result, the ZF will be "1", otherwise, the ZF will be "0".

(3) Status Flag ( SF )

The SF is affected by instruction operation and system status.

- a. SF is initiated to "1" for reset condition.
- b. Branch instruction is decided by SF, when SF=1, branch condition will be satisfied, otherwise, branch condition will not be satisfied by SF = 0.

(4) General Flag ( GF )

GF is a one bit general purpose register which can be set, clear, test by instruction SGF, CGF and TGS.  
PROGRAM EXAMPLE :

Check following arithmetic operation for CF, ZF, SF

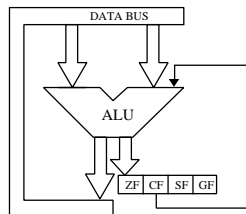
	CF	ZF	SF
LDIA #00h;	-	1	1
LDIA #03h;	-	0	1
ADDA #05h;	-	0	1
ADDA #0Dh;	-	0	0
ADDA #0Eh;	-	0	0

**ALU**

The arithmetic operation of 4 - bit data is performed in ALU unit. There are 2 flags can be affected by the result of ALU operation, ZF and SF. The operation of ALU can be affected by CF only.

**ALU STRUCTURE**

ALU supported user arithmetic operation function, including : addition, subtraction and rotaion.



**ALU FUNCTION**

(1) Addition:

For instruction ADDAM, ADCAM, ADDM #k, ADD #k,y .... ALU supports addition function. The addition operation can affect CF and ZF. For addition operation, if the result is "0", ZF will be "1", otherwise, not equal "0", ZF will be "0". When the addition operation has a carry-out, CF will be "1", otherwise, CF will be "0".

EXAMPLE:

Operation	Carry	Zero
3+4=7	0	0
7+F=6	1	0
0+0=0	0	1
8+8=0	1	1

(2) Subtraction:

For instruction SUBM #k, SUBA #k, SBCAM, DECM... ALU supports user subtraction function. The subtraction operation can affect CF and ZF, For subtraction operation, if the result is negative, CF will

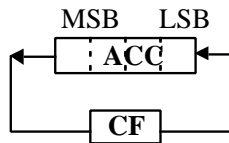
be "0", it means a borrow out, otherwise, if the result is positive, CF will be "1". For ZF, if the result of subtraction operation is "0", the ZF will be "1", otherwise, ZF will be "1".

EXAMPLE:

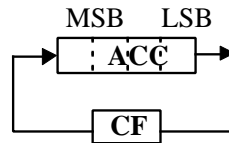
Operation	Carry	Zero
8-4=4	1	0
7-F= -8(1000)	0	0
9-9=0	1	1

(3) Rotation:

There are two kinds of rotation operation, one is rotation left, the other is rotation right. RLCA instruction rotates Acc value to left, shift the CF value into the LSB bit of Acc and the shift out data will be hold in CF.



RRCA instruction operation rotates Acc value to right, shift the CF value into the MSB bit of Acc and the shift out data will be hold in CF.



PROGRAM EXAMPLE: To rotate Acc right and shift a "1" into the MSB bit of Acc.

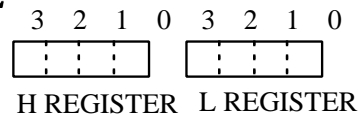
TTCFS; CF ← 1

RRCA; rotate Acc right and shift CF=1 into MSB.

## HL REGISTER

HL register are two 4-bit registers, they are used as a pair of pointer for the address of RAM memory and also 2 independent temporary 4-bit data registers. For some instruction, L register can be a pointer to indicate the pin number (Port4, Port6, Port7).

### HL REGISTER STRUCTURE



### HL REGISTER FUNCTION

(1) For instruction : LDL #k, LDH #k, THA, THL, INCL, DECL, EXAL, EXAH, HL register used as a temporary register.

PROGRAM EXAMPLE: Load immediate data "5h" into L register, "Dh" into H register.

LDL #05h;

LDH #0Dh;

(2) For instruction LDAM, STAM, STAMI ..., HL register used as a pointer for the address of RAM memory.

PROGRAM EXAMPLE: Store immediate data #Ah into RAM of address 35h.

```
LDL #5h;
LDH #3h;
STDMI #0Ah; RAM[35] ← Ah
```

(3) For instruction : SELP, CLPL, TFPL, L register be a pointer to indicate the bit of I/O port.

When LR = 0 - 1, indicate P4.0 - P4.1.

PROGRAM EXAMPLE: To set bit 1 of Port 4 to "1"

```
LDL #01h;
SEPL ; P4.1 ← 1
```

### STACK POINTER (SP)

Stack pointer is a 4-bit register which stores the present stack level number.

Before using stack, user must set the SP value first, CPU will not initiate the SP value after reset condition.

When a new subroutine is accepted, the SP will be decreased one automatically, in another word, if returning from a subroutine, the SP will be increased one.

The data transfer between ACC and SP is by instruction of "LDASP" and "STASP".

### DATA POINTER (DP)

Data pointer is a 12-bit register which stores the address of ROM can indicate the ROM code data specified by user (refer to data ROM).

### CLOCK AND TIMING GENERATOR

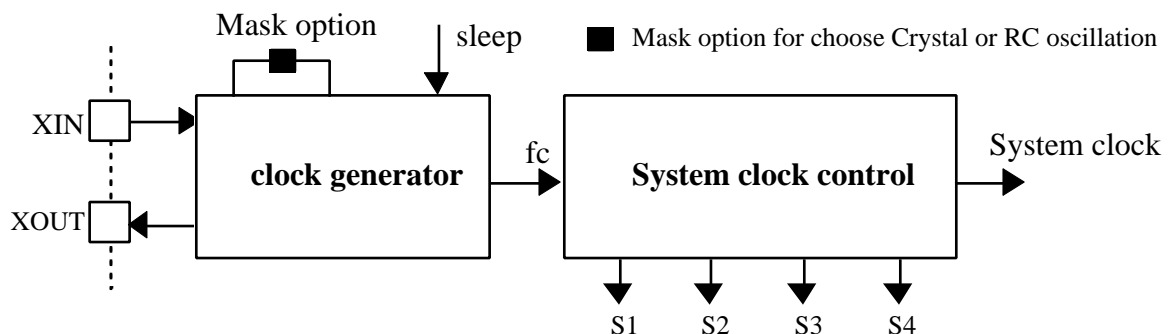
The clock generator is supported by a single clock system, the clock source comes from crystal (resonator) or RC oscillation, the working frequency range is 32 KHz to 100 KHz depending on the working voltage.

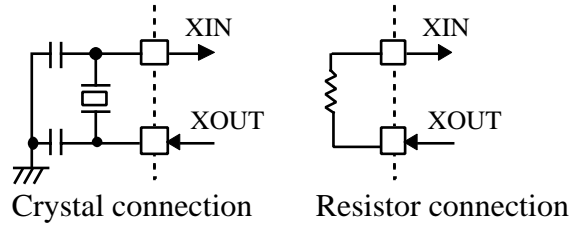
### CLOCK AND TIMING GENERATOR STRUCTURE

The clock generator connects outside components (crystal or resonator by XIN and XOUT pin for crystal osc type, capacitor for RC osc type, these two type is decided by mask option) the clock generator generates a basic system clock "fc".

When CPU sleeping, the clock generator will be stopped until the sleep condition released.

The system clock control generates 4 basic phase signals (S1, S2, S3, S4) and system clock.





**CLOCK AND TIMING GENERATOR FUNCTION**

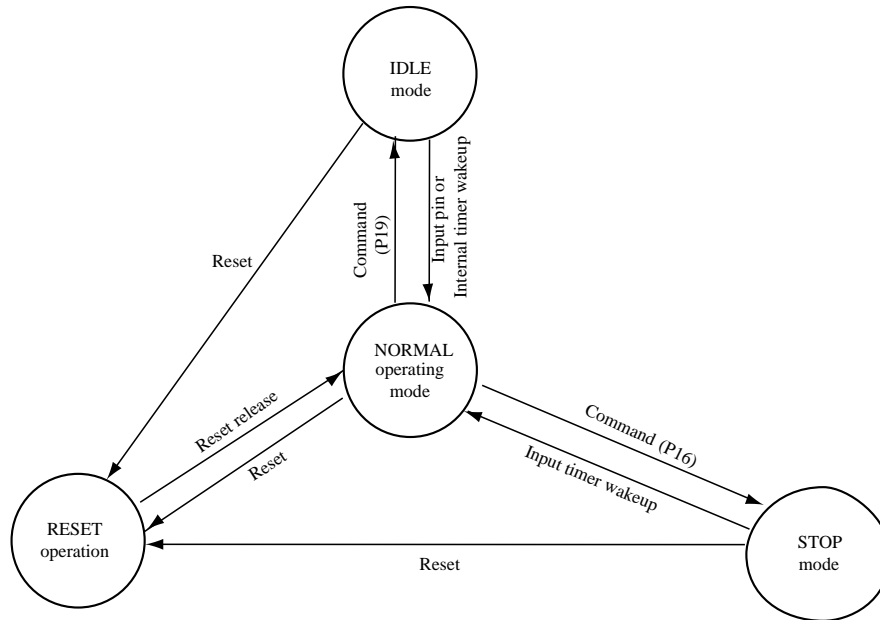
The frequency of  $f_c$  is the oscillation frequency for XIN, XOUT by crystal (resonator) or by RC osc. When CPU sleeps, the XOUT pin will be in "high" state.

The instruction cycle equal 4 basic clock  $f_c$ .

$$1 \text{ instruction cycle} = 4 / f_c$$

**OPERATION MODE CONTROL**

EM73P362 has 3 operation modes. They are Normal, Idle, and Stop mode.



Operation Mode	Oscillator	CPU	Available Function
Normal	Oscillating	Run	LCD, RFC, Low battery detector
Idle	Oscillating	Run	LCD
Stop	Stop	Stop	All disable

### STOP OPERATION MODE

During STOP operation mode, CPU holds the system's internal status with a low power consumption, for the STOP mode, the system clock will be stopped in the STOP condition and system need a warm up time for the stability of system clock running after wakeup.

The STOP operation mode is controlled by Port 16 and released by P0(0..3)/ $\overline{\text{WAKEUP}}_{0..3}$ .

P16 3 2 1 0 Initial value : 0000

SPME	SWWT
------	------

SPME	Enable STOP mode
0 1	Enable STOP mode
* *	Reserved

SWWT	Set wake-up warm-up time
0 0	$2^9 / \text{XIN}$
0 1	$2^{14} / \text{XIN}$
1 0	$2^{16} / \text{XIN}$
1 1	Reserved

STOP operation mode condition :

1. Osc stop and CPU internal status held.
2. Internal time base clear to "0".
3. CPU internal memory, flags, register, I/O held original states.
4. Program counter hold the executed address after STOP release.

Release condition :

1. Release STOP operation mode by the falling edge of any one of P0(0..3)/ $\overline{\text{WAKEUP}}_{0..3}$ .
2. Osc start to oscillating.
3. Warm-up time passing.
4. According PC to execute the following program.

Note : There are 4 independent mask options for wakeup function in EM73P362. So, the wakeup function of P0(0..3)/ $\overline{\text{WAKEUP}}_{0..3}$  are enabled or disabled independently.

### IDLE OPERATION MODE

The IDLE operation mode retains the internal status with low power consumption without stopping the system clock function and LCD display.

The IDLE operation mode is controlled by Port 19 and released by P0(0..3)/ $\overline{\text{WAKEUP}}_{0..3}$  or the internal timing generator.

P19 3 2 1 0 Initial value : 0000

IDME	SIDR
------	------

IDME	Enable IDLE mode
0 1	Enable IDLE mode
* *	Reserved

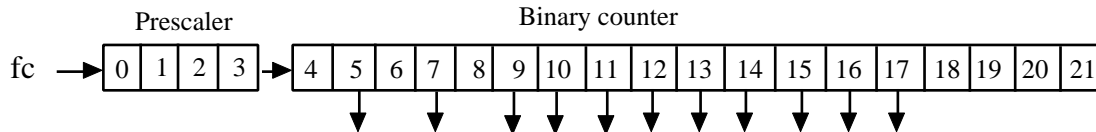
SIDR	Select IDLE releasing condition
0 0	P0(0..3) pin input
0 1	P0(0..3) pin input and 1 sec signal
1 0	P0(0..3) pin input and 0.5 sec signal
1 1	P0(0..3) pin input and 15.625m sec signal

### TIMING GENERATOR AND TIME BASE

The timing generator produces the system clock from basic clock pulse which can be normal mode or slow mode clock.

1 instruction cycle = 4 basic clock pulses

There are 22 stages time base.



When working in the single clock mode, the timebase clock source is come from fc.

Time base provides basic frequency for following function:

1. TBI (time base interrupt).
2. Timer/counter, internal clock source.
3. Warm-up time for STOP - mode releasing.

### TIME BASE INTERRUPT (TBI)

The time base can be used to generate a fixed frequency interrupt. There are 8 kinds of frequencies can be selected by setting "P25"

Single clock mode

P25 

3	2	1	0
---	---	---	---

 ( initial value 0000 )

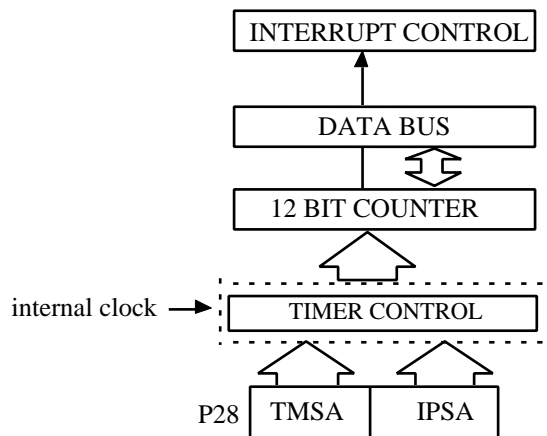
- 0 0 x x: Interrupt disable
- 0 1 0 0: Interrupt frequency  $XIN / 2^9$  Hz
- 0 1 0 1: Interrupt frequency  $XIN / 2^{10}$  Hz
- 0 1 1 0: Interrupt frequency  $XIN / 2^{12}$  Hz
- 0 1 1 1: Interrupt frequency  $XIN / 2^{13}$  Hz
- 1 1 0 0: Interrupt frequency  $XIN / 2^{14}$  Hz
- 1 1 0 1: Interrupt frequency  $XIN / 2^{15}$  Hz
- 1 1 1 0: Interrupt frequency  $XIN / 2^{16}$  Hz
- 1 1 1 1: Interrupt frequency  $XIN / 2^{17}$  Hz
- 1 0 x x: Reserved

### TIMER ( TIMERA, TIMERB)

EM73P362 only can support timer function for timerA.

For timerA, the timer data is saved in timer register TAH, TAM, TAL, which user can set timer initial value and read the timer value by instruction "LDATAH(M,L), STATAH(M,L)".

This counter can be set initial value and send counter value to timer register, P28 is the command port for timerA, user can choose different internal clock rate by setting this port. When timer overflows, it will generate a TRGA interrupt request to interrupt control unit.



### TIMER CONTROL

Timer command port: P28 is the command port for timerA.

Port 28    3    2    1    0



Initial state: 0000

TMSA	Mode Selection
0 0	Stop
0 1	Reserved
1 0	Timer mode
1 1	Reserved

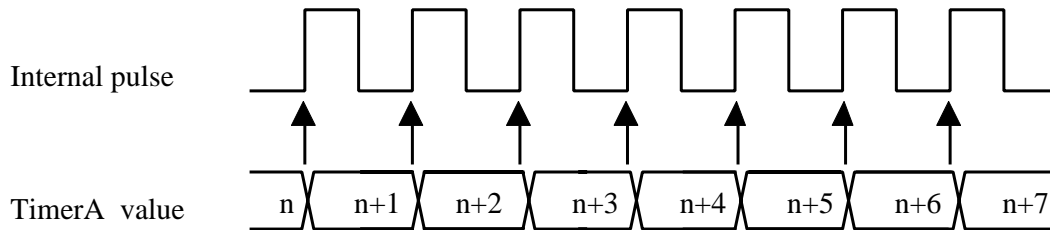
IPSA	Clock rate Selection
0 0	$XIN/2^5$ Hz
0 1	$XIN/2^7$ Hz
1 0	$XIN/2^{11}$ Hz
1 1	$XIN/2^{15}$ Hz



### TIMER FUNCTION

For timer mode, timerA increase one at any rising edge of internal pulse. User can choose 4 kinds of internal pulse rate by setting IPSA for timerA.

When timerA counts overflow, TRGA will be generated to interrupt control unit.



PROGRAM EXAMPLE: To generate TRGA interrupt request after 60 ms with system clock XIN=32K Hz

```
LDIA #0100B;
EXAE; enable mask 2
EICIL 110111B; interrupt latch ←0, enable EI
LDIA #04H;
```

```
STATAL;
LDIA #0CH;
STATAM;
LDIA #0FH;
STATAH;
LDIA #1000B;
OUTA P28; enable timerA with internal pulse rate: XIN/25 Hz
```

NOTE: The preset value of timer/counter register is calculated as following procedure.

Internal pulse rate:  $XIN/2^5$ ;  $XIN = 32KHz$

The time of timer counter count one =  $2^5 / XIN = 32/32K = 1ms$

The number of internal pulse to get timer overflow =  $60 ms / 1ms = 60 = 03CH$

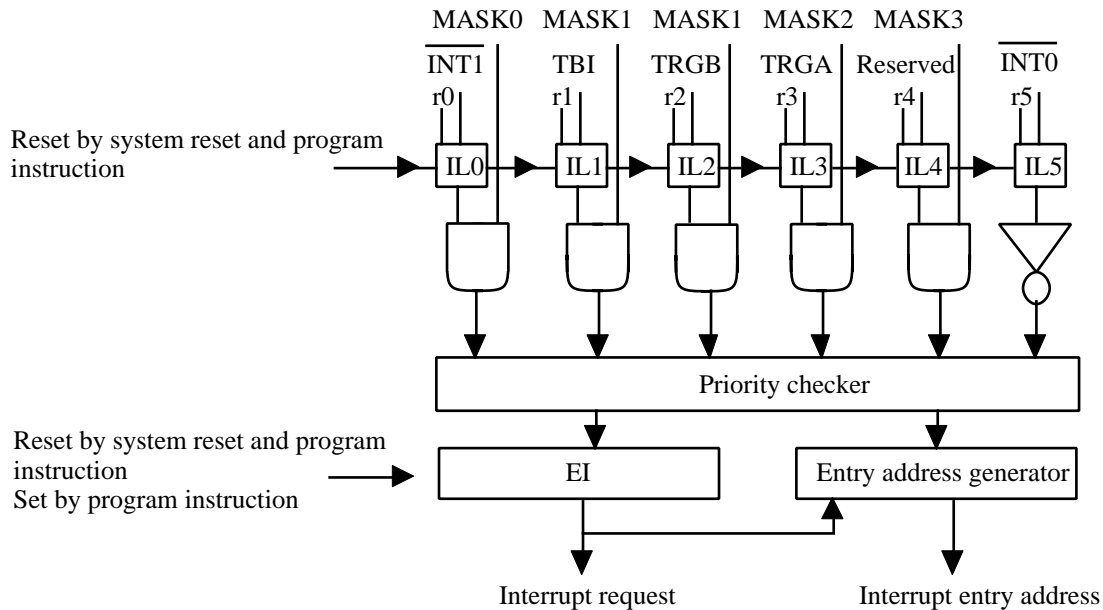
The preset value of timer/counter register =  $1000H - 03CH = 0FC4H$

### INTERRUPT FUNCTION

There are 3 internal interrupt sources and 2 external interrupt sources. Multiple interrupts are admitted according to the priority.

Type	Interrupt source	Priority	Interrupt Latch	Interrupt Enable condition	Program ROM entry address
External	External interrupt ( $\overline{INT0}$ )	1	IL5	EI=1	002H
Internal	Reserved	2	IL4	EI=1, MASK3=1	004H
Internal	TimerA overflow interrupt (TRGA)	3	IL3	EI=1, MASK2=1	006H
Internal	TimerB overflow interrupt (TRGB)	4	IL2	EI=1, MASK1=1	008H
Internal	Time base interrupt (TBI)	5	IL1		00AH
External	External interrupt ( $\overline{INT1}$ )	6	IL0	EI=1, MASK0=1	00CH

## INTERRUPT STRUCTURE



Interrupt controller:

**IL0-IL5** : Interrupt latch. Hold all interrupt requests from all interrupt sources. ILr can not be set by program, but can be reset by program or system reset, so IL only can decide which interrupt source can be accepted.

**MASK0-MASK3** : MASK register can permit or inhibit all interrupt sources.

**EI** : Enable interrupt Flip-Flop can permit or inhibit all interrupt sources, when interrupt happened, EI is cleared to "0" automatically, after RTI instruction happened, EI will be set to "1" again.

**Priority checker**: Check interrupt priority when multiple interrupts happened.

## INTERRUPT FUNCTION

The procedure of interrupt operation:

1. Push PC and all flags to stack.
2. Set interrupt entry address into PC.
3. Set SF= 1.
4. Clear EI to inhibit other interrupts happened.
5. Clear the IL for which interrupt source has already be accepted.
6. To execute interrupt subroutine from the interrupt entry address.
7. CPU accept RTI, restore PC and flags from stack. Set EI to accept other interrupt requests.

**PROGRAM EXAMPLE**: To enable interrupt of "TRGA"

```
LDIA #1100B;
EXAE; set mask register "1100B"
EICIL 111111B ; enable interrupt F.F.
```

## LCD DRIVER

EM73P362 can directly drive the liquid crystal display (LCD) and has 27 segment, 3 common output pins. There are total 27 x 3 dots can be display. The VDD, VEE, VA, VB and VSS pins are the bias voltage inputs of the LCD driver. The method of LCD programming is RAM mapping.

## CONTROL OF LCD DRIVER

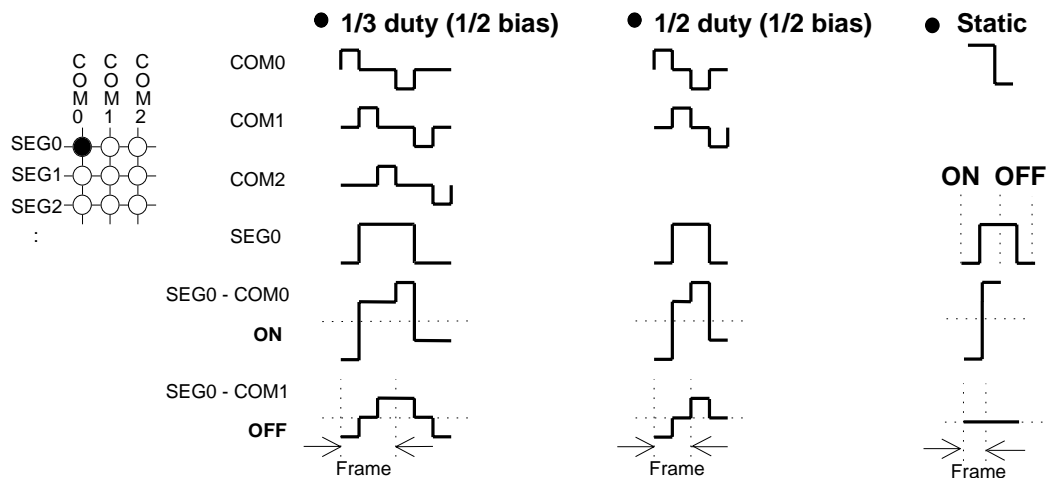
The LCD driver control command register is P27. When LDC is 00, the LCD is disabled and changes the duty only. When LDC is 01, the LCD is blanking, the COM pins are inactive and the SEG pins continuously output the display data. When LDC is 11, the LCD driver enables, the power switch is turned on and it cannot be turned off forever except the CPU is reseted or in the STOP operation mode. Users must enable the LCD driver by self when the CPU is woke up.

P27    3    2    1    0            Initial value : 0000

LDC		DUTY	
LDC	LCD display control	DUTY	Driving method select
0 0	LCD display disable	0 0	Reserved
0 1	Blanking	0 1	1/3 duty ( 1/2 bias )
1 0	Reserved	1 0	1/2 duty ( 1/2 bias )
1 1	LCD display enable	1 1	Static

### LCD driving methods

There are four kinds of driving methods can be selected by DUTY ( P27.0 ~ P27.1 ). The driving wave forms of LCD driver are as below :

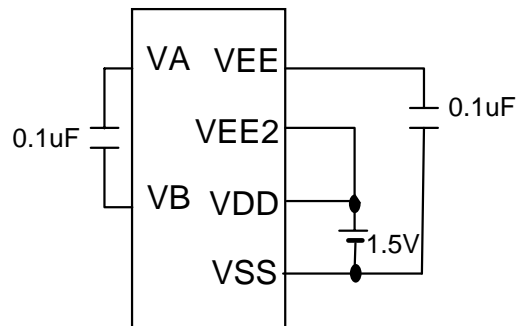


LCD frame frequency : According to the drive method to set the frame frequency.

Driving method	Frame frequency (Hz)
1/3 duty	$86 \times (3/3) = 86$
1/2 duty	$86 \times (3/2) = 129$
Static	86

LCD drive voltage

When the power supply is 1.5V, the VEE is connected a capacitor to VSS and the VA is connected a capacitor to VB for the voltage doubler. The output of VEE is  $2 \times 1.5V$  for LCD bias voltage.



**PROGRAM EXAMPLE**

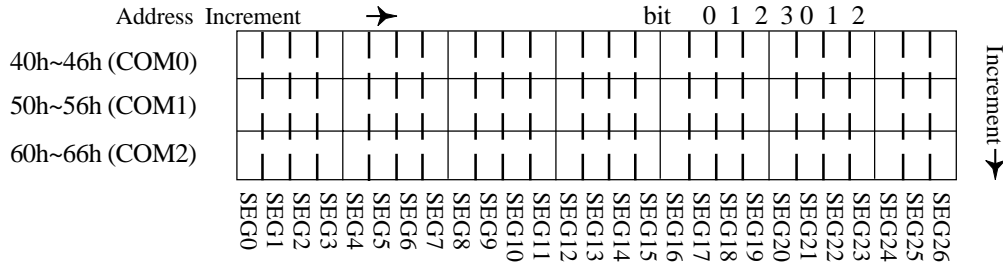
```

LDIA    #0001B           ; set LCD mode 1/3 duty 1/2 bias
OUTA    P27
LDIA    #1100B
OUTA    P27             ; enable LCD
:
:

```

**LCD DISPLAY DATA AREA**

The LCD display data is stored in RAM from address 40h ~ 46h, 50h ~ 56h and 60h ~ 66h. The relation of data area and COM / SEG pin is as below :



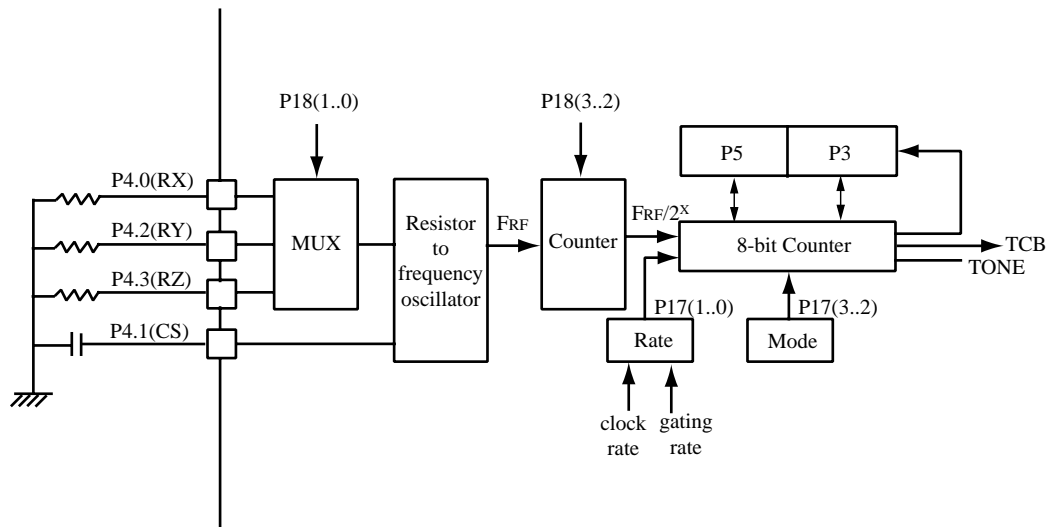
Read automatically by the display data from the display data area and send to the LCD driver by the hardware. Therefore, the display patterns can be changed only by overwriting the contents of the display data area with the software.

The relation between LCD display RAM and driving method

Driving method	LCD display RAM address		
	40h ~ 46h	50h ~ 56h	60h ~ 66h
1/3 duty	COM0	COM1	COM2
1/2 duty	COM0	COM1	-
Static	COM0	-	-

**HIGH SPEED COUNTER**

EM73P362 has one high speed counter for resistor to frequency oscillation mode, melody mode and auto load timer mode. The resistor to frequency oscillation (RFO) circuit as show below :



### CONTROL OF HIGH SPEED COUNTER

The high speed counter is controlled by the command registers (P17, P18) :

P17    3    2    1    0        Initial value : 0000



MODE	Selection of HTC mode
0 0	Disable HTC
0 1	Melody mode
1 0	Auto load timer mode
1 1	Resistor to frequency oscillation mode

RATE ( Hz )	Internal pulse rate / Counter start request frequency	
	Resistor to frequency oscillation mode	Auto load timer mode / Melody mode internal pulse rate
0 0	$XIN / 2^{10}$	$XIN / 2^0$
0 1	$XIN / 2^{12}$	$XIN / 2^2$
1 0	$XIN / 2^{14}$	$XIN / 2^4$
1 1	$XIN / 2^{15}$	$XIN / 2^6$

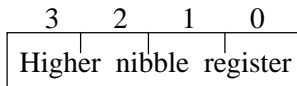
P18    3    2    1    0        Initial value : 0000



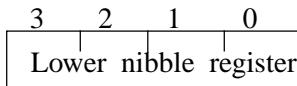
RFIP	Input frequency of RFO	RFIN	Selection of RFO Pin
0 0	$F_{RF} / 2$	0 0	Normal I/O
0 1	$F_{RF} / 4$	0 1	P4.0 (RX) for RFO
1 0	$F_{RF} / 8$	1 0	P4.2 (RY) for RFO
1 1	$F_{RF} / 16$	1 1	P4.3 (RZ) for RFO

P3 and P5 are the 8-bit binary counter registers of the HTC. P3 is lower nibble register and P5 is higher nibble register.

P5



P3



Initial value : 0000 0000

The HTC consist of one auto-reload and presetable 8-bit binary counter, 12-bit general counter and clock source selectors. The command register can select the internal clock pulse for the melody, auto load counter and resistor to frequency oscillation modes. The HTC increases one at the rising edge of the clock pulses. When the first rising edge occurs by the HTC enabled, the HTC starts counting.

## 8-BIT BINARY COUNTER

Write the preset value to the registers

The value of 8-bit binary counter can be presetted by P3 and P5. The value of registers can be loaded into the 8-bit binary counter when the counter starts counting or occurs overflow. If you write values to the registers before the next overflow occurs, the preset value can be changed.

Read the count value from the registers

The count value of 8-bit binary counter can be read out from P3 and P5. The value is unstable when you read out the value during counting. Thus, you must disable the counter before reading out the value.

## 12-BIT GENERAL COUNTER (TCB)

Write the initial value to the registers

The initial value can be written into the 12-bit counter registers by using STATBL, STATBM and STATBH instructions. The value of registers can be loaded into the 12-bit binary counter (TCB) and the TCB increases one when the 8-bit binary counter overflows.

Read the count value from the registers

The count value of 12-bit binary counter can be read out from the counter registers by using LDATBL, LDATBM and LDATBH instructions.

## 20-BIT COUNTER FUNCTION

The 8-bit binary counter is connected to TCB which is one 12-bit general counter and becomes to the 20-bit counter. The TCB increases one when the 8-bit binary counter overflows and generates an overflow interrupt (TRGB) when the TCB overflows. In this case, the TCB cannot be used as a 12-bit counter alone.

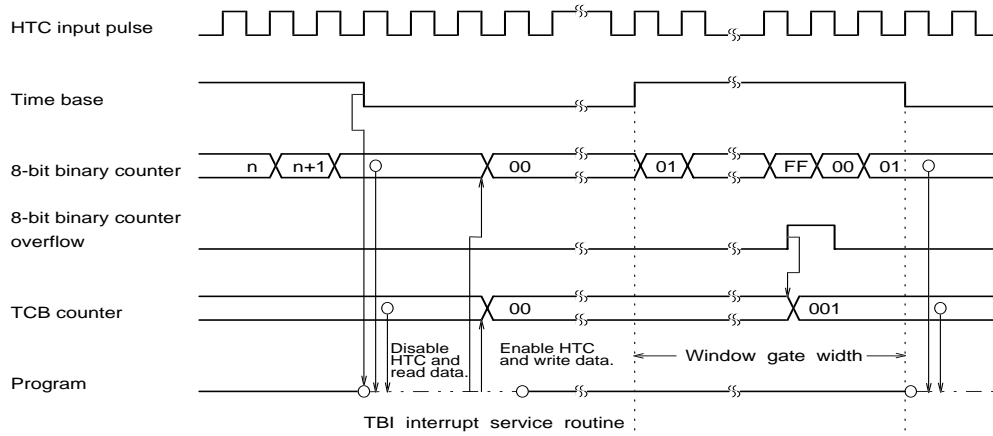
## FUNCTION OF HIGH SPEED COUNTER

The HTC has three modes which are RFO mode, melody mode and auto load timer mode. In these mode, the HTC loads the initial values from the counter registers (P3, P5) when it is enabled by P17 and it also can be auto-reloaded the initial values when it overflows. The HTC is counted by the internal pulse and the value of TCB increases one when 8-bit binary counter overflows. The TCB can generate an overflow interrupt (TRGB) when it overflows. The TRGB cannot be generated when the HTC is in the melody mode or disabled.

The HTC is disabled when the CPU is reseted or in the STOP/IDLE operation mode. Users must enable it by self when the CPU is waked up.

Resistor to frequency oscillation mode

In this case, the window gate width interval is from the time base output fall to rise and the value of window gate width setting is the same as the time base interrupt frequency. The time base can be generated a fixed frequency interrupt when the time base interrupt (TBI) is enabled. The content of the HTC can be read and initialized by the TBI interrupt service routine.



ex. TBI interrupt frequency is  $XIN/2^{15}$  Hz (P25=1101B). The pulse rate of RFO is  $XIN/2^{15}$  Hz (P17=1111B). The window gate width of RFO is  $2^{14}/XIN$  sec.

PROGRAM EXAMPLE

```

DSEG
ORG      00H
RCON: RES      1
:
CSEG
ORG      00H
LBR      MAIN          ;initial jump
ORG      0AH
LBR      TBI           ;timebase interrupt vector address
:
:                       ;timebase interrupt service routine
TBI:     CMP      #00H,RCON
         B        TBI1
         STD      #01H,RCON
         LDIA     #00H          ;initial TCB & HTC register
         OUTA     P5
         OUTA     P3
         STATBL
         STATBM
         STATBH
         B        TBIEND
    
```



```

TBI1:  LDIA    #00H           ;disable RFO before reading the counter value
        OUTA   P17
        INA    P3           ;store the counter value to RAM[00] - RAM[04]
        STA    00H
        INA    P5
        STA    01H
        LDATBL
        STA    02H
        LDATBM
        STA    03H
        LDATBH
        STA    04H

TBIEND: RTI

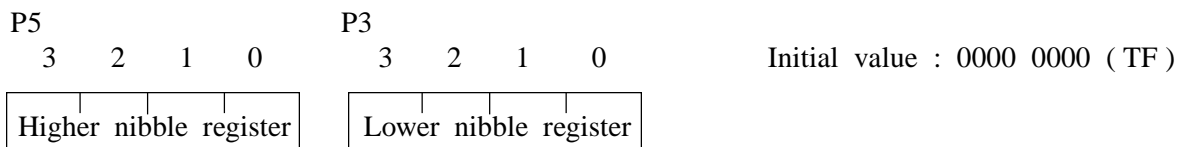
MAIN:  STD     #00H,RFCON    ;main program
        LDIA   #0001B       ;P4.0 (RX) output
        OUTA   P18
        LDIA   #0010B       ;enable timebase interrupt
        EXAE
        EICIL  0
        LDIA   #1111B       ;enable RFO mode, the window gate width of RFO=214/XIN sec.
        OUTA   P17
        LDIA   #1101B       ;enable timebase, interrupt frequency : XIN / 215 Hz
        OUTA   P25
        :

```

#### Melody mode

The P4.0/ $\overline{\text{TONE}}$  and TONE pins will output the square wave in the melody mode. When the CPU is not in the melody mode, the P4.0/ $\overline{\text{TONE}}$  is high and TONE is low.

The 8-bit tone frequency register is P5 and P3. The tone frequency will be changed when users output the different data to P3. Thus, the data must be output to P5 before P3 when users want to change the 8-bit tone frequency (TF).



\*\*  $F_{\text{TONE}} = [ (XIN / 2^X) / (100H - TF) ] / 2, TF = 0 \sim 255$

\*\* Example : XIN = 32KHz, RATE = 01, TF = 11110000B = 0F0H.

$F_{\text{TONE}} = [ (32K \text{ Hz} / 2^2) / (100H - 0F0H) ] / 2 = 256 \text{ Hz.}$

PROGRAM EXAMPLE :

```
LDIA          #0FH
OUTA          P5
LDIA          #00H
OUTA          P3
OUTA          P18
LDIA          #0101B    ;enable melody mode
OUTA          P17
:
```

Auto load timer mode

In this mode, there are four different internal pulse rates can be selected by P17. The HTC loads the initial values by the counter registers (P3, P5) and increases at the rising edges of internal pulse generated by the time base. The value of TCB increases one when the high speed counter overflows and generates an overflow interrupt (TRGB) when the TCB overflows.

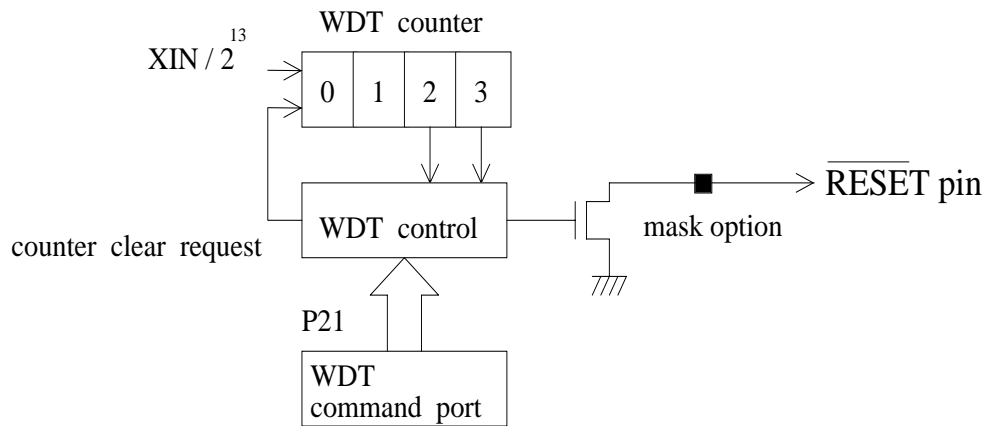
PROGRAM EXAMPLE :

```
LDIA          #00H    ; initial TCB & HTC register
STATBL
STATBM
STATBH
OUTA          P5
OUTA          P3
OUTA          P18
LDIA          #1011B    ; auto load timer mode, internal pulse rate : XIN/26
OUTA          P17
:
LDIA          #00H    ; disable timer mode
OUTA          P17
INA          P3    ; store the counter value to RAM[00] - RAM[04]
STA          00H
INA          P5
STA          01H
LDATBL
STA          02H
LDATBM
STA          03H
LDATBH
STA          04H
```

**WATCH-DOG-TIMER ( WDT )**

Watch-dog-timer can help user to detect the malfunction (runaway) of CPU and give system a time up signal every certain time. User can use the time up signal to give system a reset signal when system is fail. This function is available by mask option. If the mask option of WDT is enabled, it will stop counting when CPU is reseted or in the STOP operation mode.

The basic structure of watch-dog-timer control is composed by a 4-stage binary counter and a control unit. The WDT counter counts for a certain time to check the CPU status, if there is no malfunction happened, the counter will be cleared and counting. Otherwise, if there is a malfunction happened, the WDT control will send a WDT signal (low active) to reset CPU. The WDT checking period is assign by P21 (WDT command port).



P21 is the control port of watch-dog-timer, and the WDT time up signal is connected to  $\overline{\text{RESET}}$ .

P21    3    2    1    0            Initial value : 0000

CWC	*	*	WDT
-----	---	---	-----

CWC	Clear watch-dog-timer counter
0	Clear counter then return to 1
1	Nothing

WDT	Set watch-dog-timer detect time
0	$3 \times 2^{13}/\text{XIN} = 3 \times 2^{13}/32\text{K Hz} = 0.75 \text{ sec}$
1	$7 \times 2^{13}/\text{XIN} = 7 \times 2^{13}/32\text{K Hz} = 1.75 \text{ sec}$

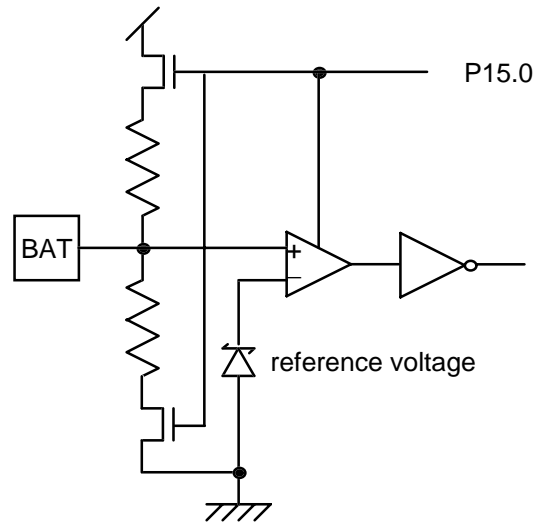
**PROGRAM EXAMPLE**

To enable WDT with  $7 \times 2^{13}/\text{XIN}$  detection time.

```
LDIA    #0001B
OUTA    P21      ;set WDT detection time and clear WDT counter
:
:
```

### LOW BATTERY DETECTOR ( LBD )

EM73P362 has a built-in low battery detector. This function is disabled when CPU is reseted or in the STOP /IDLE operation mode. User must enable the low battery detector by self when the CPU is waked up. If the low battery detector is enabled, the operating current of whole chip will increase.



### CONTROL OF LOW BATTERY DETECTOR

Port15 is the control register of low battery detector. P15.1 (Low battery detector status) is a read-only bit. When LBE is 1, the low battery detector is enabled. When  $VDD < 1.25 \pm 0.05V$ , SLB is 1.

P15 ( write port )

3	2	1	0
*	*	*	LBE

P15 ( read port )

3	2	1	0
*	*	SLB	*

Initial value : \*\*00

LBE	Low battery detector control
0	Low battery detector disable
1	Low battery detector enable

SLB	Status of low battery detector
0	$VDD \geq 1.25 \pm 0.05V$
1	$VDD < 1.25 \pm 0.05V$ ( Low battery )

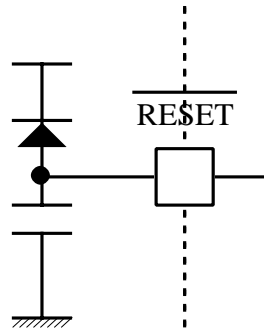
## RESETTING FUNCTION

When CPU in normal working condition and  $\overline{\text{RESET}}$  pin holds in low level for three instruction cycles at least, then CPU begins to initialize the whole internal states, and when  $\overline{\text{RESET}}$  pin changes to high level, CPU begins to work in normal condition.

The CPU internal state during reset condition is as following table :

Hardware condition in RESET state	Initial value
Program counter	000h
Status flag	01h
Interrupt enable flip-flop ( EI )	00h
MASK0 ,1, 2, 3	00h
Interrupt latch ( IL )	00h
P3, 5, 15, 16, 17, 18, 19, 21, 25, 27	00h
P4, 6, 7, 8	0Fh
XIN	Start oscillation

The  $\overline{\text{RESET}}$  pin is a hysteresis input pin and it has a pull-up resistor available by mask option. The simplest RESET circuit is connect  $\overline{\text{RESET}}$  pin with a capacitor to  $V_{SS}$  and a diode to  $V_{DD}$ .



**EM73P362 PORT DESCRIPTION :**

Port	Input function	Output function	Note
0	E Input port , wake-up function , external interrupt input		
1	--	--	
2	--	--	
3	--	I High speed counter register	low nibble
4	E Input port , Resistor to frequency oscillation	E Output port, P4.0/TONE	
5	--	I High speed counter register	high nibble
6	E Input port	E Output port , LCD segment pin	
7	E Input port	E Output port , LCD segment pin	
8	E Input port	E Output port , LCD segment pin	
9	--	--	
10	--	--	
11	--	--	
12	--	--	
13	--	--	
14	--	--	
15	I P15.1 ( low battery detector status )	I P15.1 ( low battery detector control )	
16		I Stop mode control register	
17		I HTC control register	
18		I HTC control register	
19		I Idle mode control register	
20		--	
21		I WDT control register	
22		--	
23		--	
24		--	
25		I Timebase control register	
26		--	
27		I LCD control register	
28		I Timer A control register	
29		--	
30		--	
31		--	

**ABSOLUTE MAXIMUM RATING**

Items	Sym.	Ratings	Conditions
Supply voltage	$V_{DD}$	-0.5V to 2V	
Input voltage	$V_{IN}$	-0.5V to $V_{DD} + 0.5V$	
Output voltage	$V_O$	-0.5V to $V_{DD} + 0.5V$	
Power dissipation	$P_D$	100mW	$T_{OPR} = 50\text{ }^\circ\text{C}$
Operating temperature	$T_{OPR}$	0 °C to 50 °C	
Storage temperature	$T_{STG}$	-55 °C to 125 °C	

**RECOMMENDED OPERATING CONDITIONS**

Items	Sym.	Ratings	Conditions
Supply voltage	$V_{DD}$	1.2V to 1.8V	Fc = 32KHz
Input voltage	$V_{IH}$	$0.90 \times V_{DD}$ to $V_{DD}$	
	$V_{IL}$	0V to $0.10 \times V_{DD}$	

**DC ELECTRICAL CHARACTERISTICS ( $V_{DD} = 1.5 \pm 0.2V$ ,  $V_{SS} = 0V$ ,  $T_{OPR} = 25^\circ\text{C}$ )**

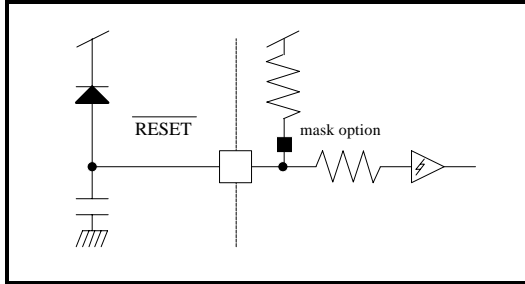
Parameters	Sym.	Min.	Typ.	Max.	Unit	Conditions
Supply current	$I_{DD}$	-	6	10	$\mu\text{A}$	RC osc. $V_{DD}=1.7V$ , Fc=32KHz, no load,
		-	5	8	$\mu\text{A}$	X'tal osc. RFO off, LBD off
		-	4	8	$\mu\text{A}$	RC osc. $V_{DD}=1.7V$ , Fc=32KHz, IDLE
		-	3	6	$\mu\text{A}$	X'tal osc. mode, no load
		-	0.1	1	$\mu\text{A}$	$V_{DD}=1.7V$ , STOP mode
		-	80	250	$\mu\text{A}$	X'tal osc. $V_{DD}=1.5V$ , Fc=32KHz, RFO on
		40	60	$\mu\text{A}$	$V_{DD}=1.5V$ , Fc=32KHz, LBD on	
Low battery detector	$V_{LBD}$	1.30	1.35	1.40	V	
Frequency of RFO	$F_{RF1}$	98	115	132	KHz	R1 = 10K $\Omega$ , VDD=1.5V
	$F_{RF2}$	10.2	12	13.8	KHz	R2 = 100K $\Omega$ , VDD=1.5V
	$F_{RF3}$	1.12	1.32	1.51	KHz	R3 = 1M $\Omega$ , VDD=1.5V
Frequency ratio of RFO	$F_{RF1}$	9	9.5	10		VDD=1.5V, R1=10K $\Omega$ , R2=100K $\Omega$ , R3=1M $\Omega$
	$F_{RF2}$					
	$F_{RF3}$	8.5	9	9.5		
Hysteresis voltage	$V_{HYS+}$	$0.50V_{DD}$	-	$0.75V_{DD}$	V	RESET, P0
	$V_{HYS-}$	$0.20V_{DD}$	-	$0.40V_{DD}$	V	
Input current	$I_{IH}$	-	10	15	$\mu\text{A}$	P0, Pull-down, $V_{IH}=V_{DD}$
		-15	-10	-	$\mu\text{A}$	P0, Pull-up, $V_{IH}=V_{SS}$
		-	-	1	$\mu\text{A}$	P0, None
Output voltage	$V_{OH}$	1.1	-	-	V	Push-pull : P4 high current PMOS, TONE $V_{DD}=1.3V$ , $I_{OH}=-500\mu\text{A}$
		1.1	-	-	V	Push-pull : P4 low current PMOS, others, $V_{DD}=1.3V$ , $I_{OH}=-30\mu\text{A}$
	$V_{OL}$	-	-	0.2	V	$V_{DD}=1.3V$ , $I_{OL}=500\mu\text{A}$
Leakage current	$I_{LO}$	-	-	1	$\mu\text{A}$	Open-drain, $V_{DD}=1.7V$ , $V_O=1.7V$
Input resistor	$R_{IN}$	50	100	200	K $\Omega$	RESET
LCD bias voltage	$V_{EE}$	$2V_{DD}-0.1$	$2V_{DD}$	$2V_{DD}+0.1$	V	Voltage doubler

Parameters	Sym.	Min.	Typ.	Max.	Unit	Conditions
COM, SEG pins output current	$Vo_1$	$V_{EE}-0.1$	$V_{EE}$	-	V	$Io_1 = -5\mu A$
	$Vo_2$	$V_{DD}-0.1$	$V_{DD}$	$V_{DD}+0.1$	V	$Io_2 = \pm 5\mu A$
	$Vo_3$	-	$V_{SS}$	$V_{SS}+0.1$	V	$Io_3 = 5\mu A$
Frequency stability		-	20	-	%	$F_c=32K$ Hz, RC osc, R=620K $\Omega$ , [F(1.5V)-F(1.3V)]/F(1.5V)
Frequency variation		-	20	-	%	$F_c=32K$ Hz, $V_{DD}=1.5V$ , RC osc, R=620K $\Omega$ , [F(typical)-F(worse case)]/F(typical)



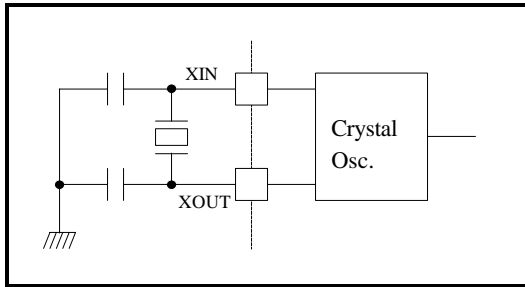
**RESET PIN TYPE**

TYPE RESET\_A

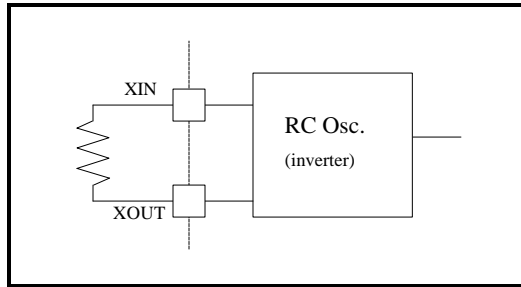


**OSCILLATION PIN TYPE**

TYPE OSC\_A

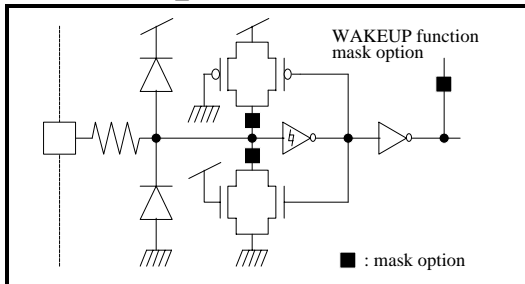


TYPE OSC\_F

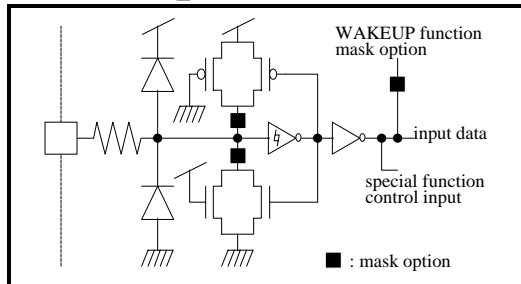


**INPUT PIN TYPE**

TYPE INPUT\_H

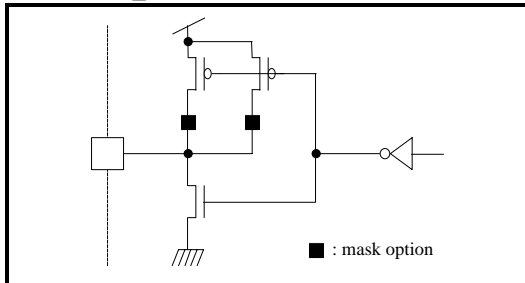


TYPE INPUT\_J

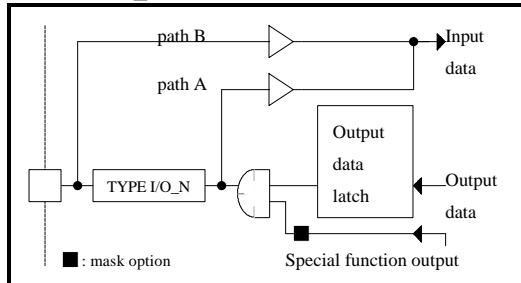


**I/O PIN TYPE**

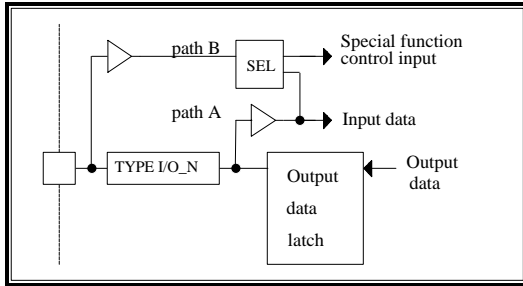
TYPE I/O\_N



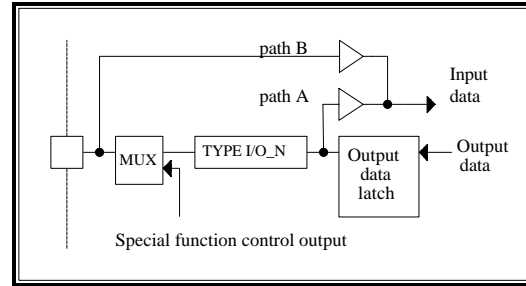
TYPE I/O\_O



TYPE I/O\_X

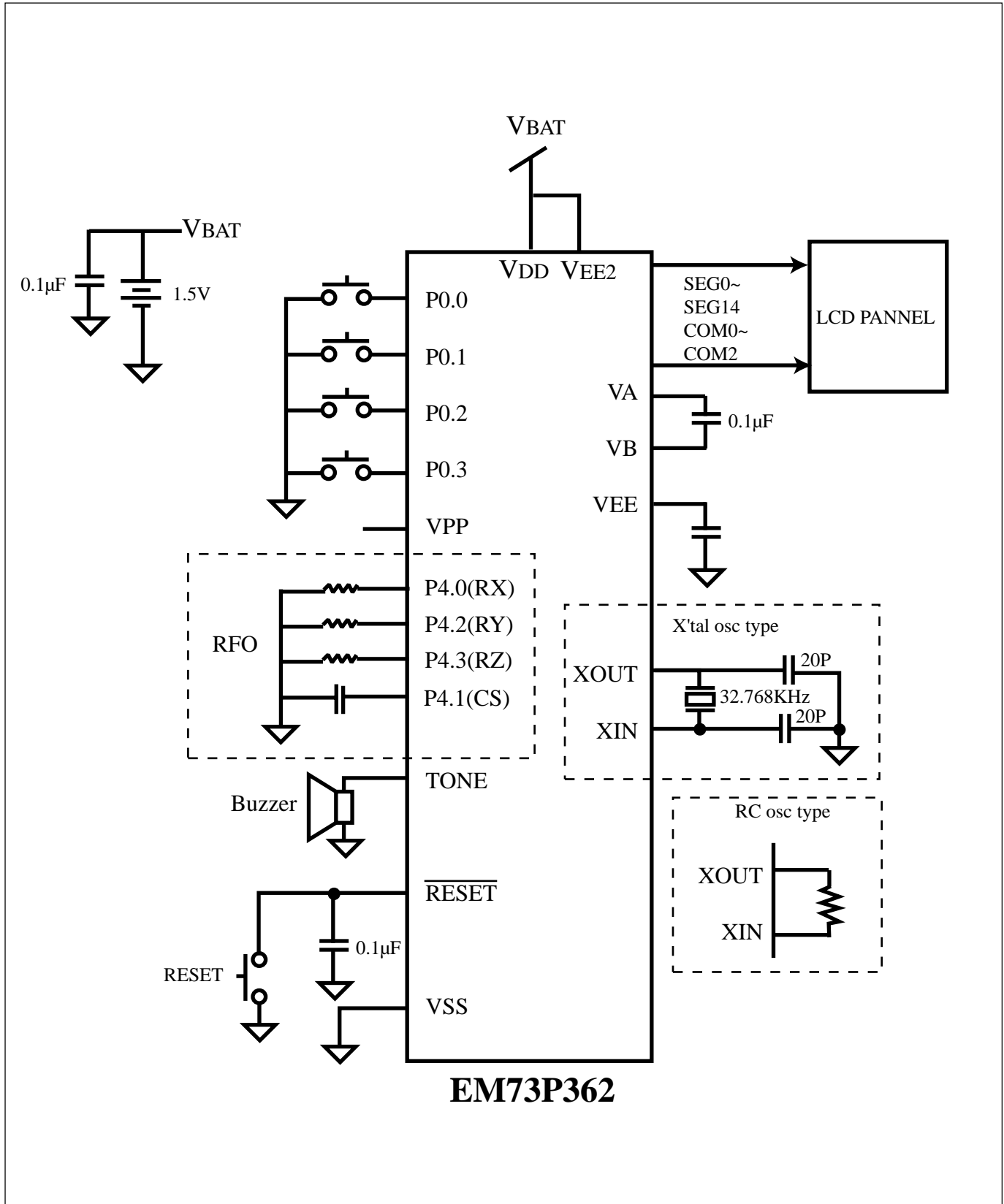


TYPE I/O\_Y

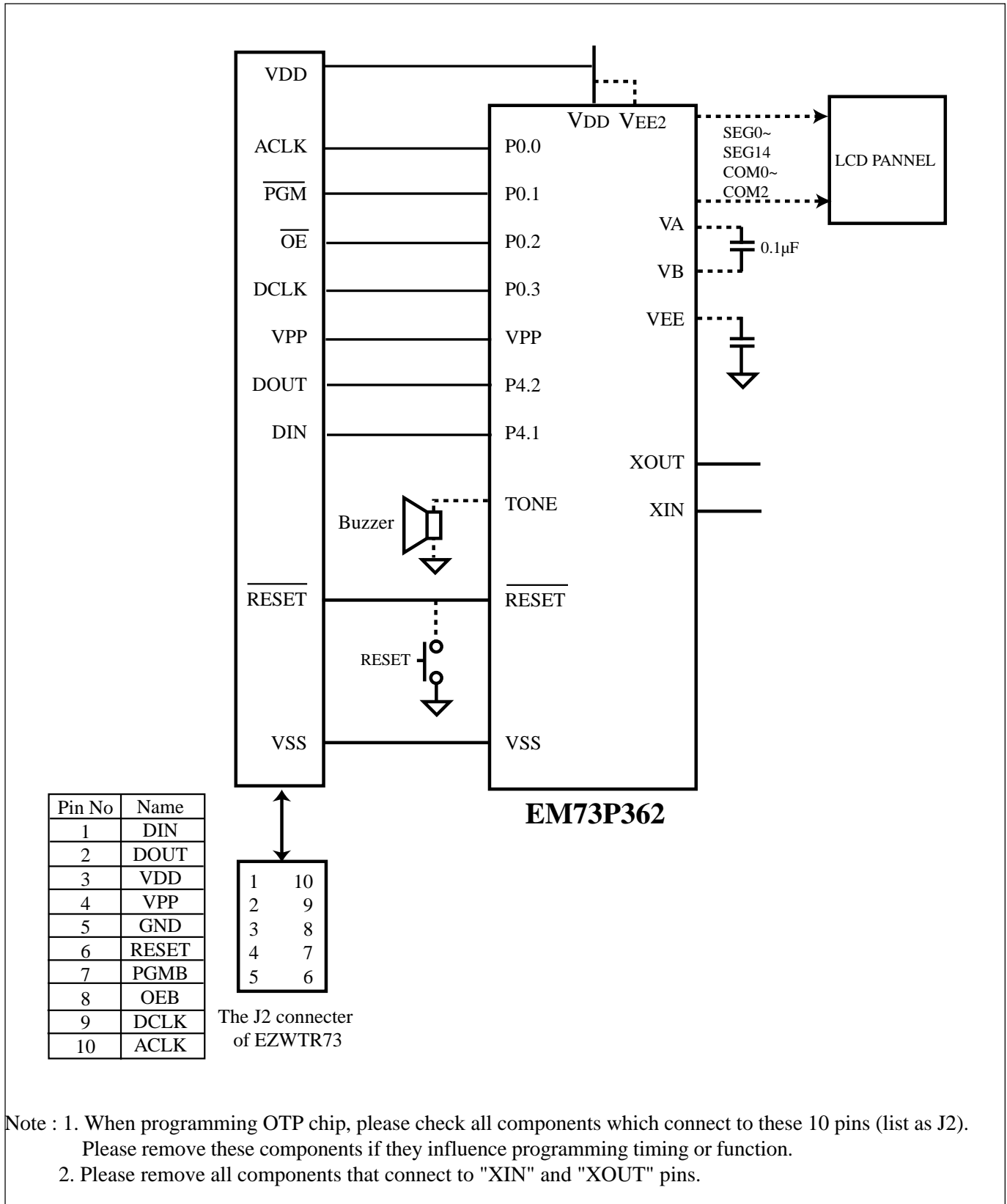


PATH A :For set and clear bit of port instructions, data goes through path A from output data latch to CPU.  
 PATH B :For input and test instructions, data from output pin go through path B to CPU and the output data latch will be set to high.

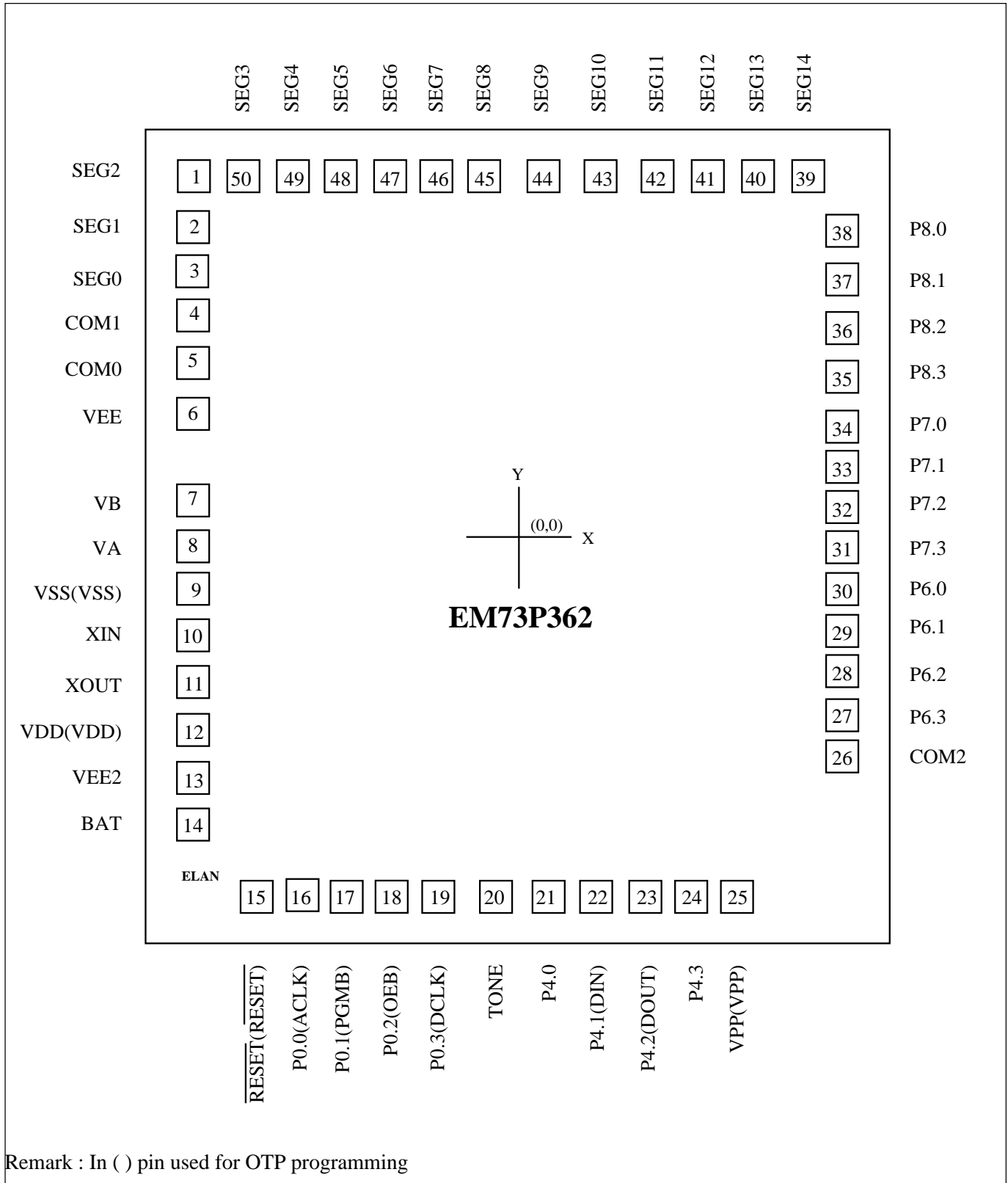
**APPLICATION CIRCUIT (NORMAL MODE)**



**APPLICATION CIRCUIT (OTP PROGRAMMING MODE)**



**PAD DIAGRAM**



Remark : In ( ) pin used for OTP programming

Chip Size : 2110 x 2420 μm.

For PCB layout, IC substrate must be floated or connected to Vss.

<b>Pad No.</b>	<b>Symbol</b>	<b>X</b>	<b>Y</b>
1	SEG2	-915.0	1069.4
2	SEG1	-915.0	919.4
3	SEG0	-915.0	779.4
4	COM1	-915.0	634.4
5	COM0	-915.0	494.4
6	VEE	-915.0	333.0
7	VB	-915.0	56.5
8	VA	-915.0	-78.2
9	VSS	-915.0	-204.8
10	XIN	-915.0	-324.8
11	XOUT	-915.0	-444.8
12	VDD	-915.0	-565.9
13	VEE2	-915.0	-685.9
14	BAT	-915.0	-805.9
15	RESET	-650.3	-1080.0
16	P0.0	-530.3	-1080.0
17	P0.1	-410.3	-1080.0
18	P0.2	-290.3	-1080.0
19	P0.3	-165.3	-1080.0
20	TONE	-13.4	-1080.0
21	P4.0	127.2	-1080.0
22	P4.1	253.1	-1080.0
23	P4.2	378.1	-1079.6
24	P4.3	498.1	-1079.6
25	VPP	623.1	-1080.0
26	COM2	921.8	-646.7
27	P6.3	921.8	-514.0
28	P6.2	921.8	-394.0
29	P6.1	921.8	-274.0
30	P6.0	921.8	-154.0
31	P7.3	921.8	-34.0
32	P7.2	921.8	86.0
33	P7.1	921.8	206.0
34	P7.0	921.8	326.0
35	P8.3	922.1	474.4
36	P8.2	922.1	614.4
37	P8.1	922.1	759.4
38	P8.0	922.1	899.4
39	SEG14	792.4	1069.4
40	SEG13	652.4	1069.4

Pad No.	Symbol	X	Y
41	SEG12	517.4	1069.4
42	SEG11	387.3	1069.4
43	SEG10	230.0	1069.4
44	SEG9	70.0	1069.4
45	SEG8	-90.0	1069.4
46	SEG7	-230.0	1069.4
47	SEG6	-370.0	1069.4
48	SEG5	-510.0	1069.4
49	SEG4	-640.0	1069.4
50	SEG3	-775.0	1069.4

## INSTRUCTION TABLE

### (1) Data Transfer

Mnemonic	Object code ( binary )	Operation description	Byte	Cycle	Flag		
					C	Z	S
LDA x	0110 1010 xxxx xxxx	Acc←RAM[x]	2	2	-	Z	1
LDAM	0101 1010	Acc ←RAM[HL]	1	1	-	Z	1
LDAX	0110 0101	Acc←ROM[DP] <sub>L</sub>	1	2	-	Z	1
LDAXI	0110 0111	Acc←ROM[DP] <sub>H</sub> ,DP+1	1	2	-	Z	1
LDH #k	1001 kkkk	HR←k	1	1	-	-	1
LDHL x	0100 1110 xxxx xx00	LR←RAM[x],HR←RAM[x+1]	2	2	-	-	1
LDIA #k	1101 kkkk	Acc←k	1	1	-	Z	1
LDL #k	1000 kkkk	LR←k	1	1	-	-	1
STA x	0110 1001 xxxx xxxx	RAM[x]←Acc	2	2	-	-	1
STAM	0101 1001	RAM[HL]←Acc	1	1	-	-	1
STAMD	0111 1101	RAM[HL]←Acc, LR-1	1	1	-	Z	C
STAMI	0111 1111	RAM[HL]←Acc, LR+1	1	1	-	Z	C'
STD #k,y	0100 1000 kkkk yyyy	RAM[y]←k	2	2	-	-	1
STDMI #k	1010 kkkk	RAM[HL]←k, LR+1	1	1	-	Z	C'
THA	0111 0110	Acc←HR	1	1	-	Z	1
TLA	0111 0100	Acc←LR	1	1	-	Z	1

### (2) Rotate

Mnemonic	Object code ( binary )	Operation description	Byte	Cycle	Flag		
					C	Z	S
RLCA	0101 0000	←CF←Acc←	1	1	C	Z	C'
RRCA	0101 0001	→CF→Acc→	1	1	C	Z	C'

### (3) Arithmetic operation

Mnemonic	Object code ( binary )	Operation description	Byte	Cycle	Flag		
					C	Z	S
ADCAM	0111 0000	Acc←Acc + RAM[HL] + CF	1	1	C	Z	C'
ADD #k,y	0100 1001 kkkk yyyy	RAM[y]←RAM[y] +k	2	2	-	Z	C'
ADDA #k	0110 1110 0101 kkkk	Acc←Acc+k	2	2	-	Z	C'
ADDAM	0111 0001	Acc←Acc + RAM[HL]	1	1	-	Z	C'
ADDH #k	0110 1110 1001 kkkk	HR←HR+k	2	2	-	Z	C'
ADDL #k	0110 1110 0001 kkkk	LR←LR+k	2	2	-	Z	C'
ADDM #k	0110 1110 1101 kkkk	RAM[HL]←RAM[HL] +k	2	2	-	Z	C'
DECA	0101 1100	Acc←Acc-1	1	1	-	Z	C
DECL	0111 1100	LR←LR-1	1	1	-	Z	C
DECM	0101 1101	RAM[HL]←RAM[HL]-1	1	1	-	Z	C
INCA	0101 1110	Acc←Acc + 1	1	1	-	Z	C'



INCL	0111 1110	LR←LR + 1	1	1	-	Z	C'
INCM	0101 1111	RAM[HL]←RAM[HL]+1	1	1	-	Z	C'
SUBA #k	0110 1110 0111 kkkk	Acc←k-Acc	2	2	-	Z	C
SBCAM	0111 0010	Acc←RAM[HL] - Acc - CF'	1	1	C	Z	C
SUBM #k	0110 1110 1111 kkkk	RAM[HL]←k - RAM[HL]	2	2	-	Z	C

**(4) Logical operation**

Mnemonic	Object code ( binary )	Operation description	Byte	Cycle	Flag		
					C	Z	S
ANDA #k	0110 1110 0110 kkkk	Acc←Acc&k	2	2	-	Z	Z'
ANDAM	0111 1011	Acc←Acc & RAM[HL]	1	1	-	Z	Z'
ANDM #k	0110 1110 1110 kkkk	RAM[HL]←RAM[HL]&k	2	2	-	Z	Z'
ORA #k	0110 1110 0100 kkkk	Acc←Acc' k	2	2	-	Z	Z'
ORAM	0111 1000	Acc ←Acc' RAM[HL]	1	1	-	Z	Z'
ORM #k	0110 1110 1100 kkkk	RAM[HL]←RAM[HL]' k	2	2	-	Z	Z'
XORAM	0111 1001	Acc←Acc^RAM[HL]	1	1	-	Z	Z'

**(5) Exchange**

Mnemonic	Object code ( binary )	Operation description	Byte	Cycle	Flag		
					C	Z	S
EXA x	0110 1000 xxxx xxxx	Acc↔RAM[x]	2	2	-	Z	1
EXAH	0110 0110	Acc↔HR	1	2	-	Z	1
EXAL	0110 0100	Acc↔LR	1	2	-	Z	1
EXAM	0101 1000	Acc↔RAM[HL]	1	1	-	Z	1
EXHL x	0100 1100 xxxx xx00	LR↔RAM[x], HR↔RAM[x+1]	2	2	-	-	1

**(6) Branch**

Mnemonic	Object code ( binary )	Operation description	Byte	Cycle	Flag		
					C	Z	S
SBR a	00aa aaaa	If SF=1 then PC←PC <sub>11-6</sub> .a <sub>5-0</sub> else null	1	1	-	-	1
LBR a	1100 aaaa aaaa aaaa	If SF= 1 then PC←a else null	2	2	-	-	1

**(7) Compare**

Mnemonic	Object code ( binary )	Operation description	Byte	Cycle	Flag		
					C	Z	S
CMP #k,y	0100 1011 kkkk yyyy	k-RAM[y]	2	2	C	Z	Z'
CMPA x	0110 1011 xxxx xxxx	RAM[x]-Acc	2	2	C	Z	Z'
CMPAM	0111 0011	RAM[HL] - Acc	1	1	C	Z	Z'
CMPH #k	0110 1110 1011 kkkk	k - HR	2	2	-	Z	C
CMPIA #k	1011 kkkk	k - Acc	1	1	C	Z	Z'
CMPL #k	0110 1110 0011 kkkk	k-LR	2	2	-	Z	C

**(8) Bit manipulation**

Mnemonic	Object code ( binary )	Operation description	Byte	Cycle	Flag		
					C	Z	S
CLM b	1111 00bb	RAM[HL] <sub>b</sub> ←0	1	1	-	-	1
CLP p,b	0110 1101 11bb pppp	PORT[p] <sub>b</sub> ←0	2	2	-	-	1
CLPL	0110 0000	PORT[LR <sub>3-2</sub> +4]LR <sub>1-0</sub> ←0	1	2	-	-	1
CLR y,b	0110 1100 11bb yyyy	RAM[y] <sub>b</sub> ←0	2	2	-	-	1
SEM b	1111 01bb	RAM[HL] <sub>b</sub> ←1	1	1	-	-	1
SEP p,b	0110 1101 01bb pppp	PORT[p] <sub>b</sub> ←1	2	2	-	-	1
SEPL	0110 0010	PORT[LR <sub>3-2</sub> +4]LR <sub>1-0</sub> ←1	1	2	-	-	1
SET y,b	0110 1100 01bb yyyy	RAM[y] <sub>b</sub> ←1	2	2	-	-	1
TF y,b	0110 1100 00bb yyyy	SF←RAM[y] <sub>b</sub> '	2	2	-	-	*
TFA b	1111 10bb	SF←Acc <sub>b</sub> '	1	1	-	-	*
TFM b	1111 11bb	SF←RAM[HL] <sub>b</sub> '	1	1	-	-	*
TFP p,b	0110 1101 00bb pppp	SF←PORT[p] <sub>b</sub> '	2	2	-	-	*
TFPL	0110 0001	SF←PORT[LR <sub>3-2</sub> +4]LR <sub>1-0</sub> '	1	2	-	-	*
TT y,b	0110 1100 10bb yyyy	SF←RAM[y] <sub>b</sub>	2	2	-	-	*
TTP p,b	0110 1101 10bb pppp	SF←PORT[p] <sub>b</sub>	2	2	-	-	*

**(9) Subroutine**

Mnemonic	Object code ( binary )	Operation description	Byte	Cycle	Flag		
					C	Z	S
LCALL a	0100 0aaa aaaa aaaa	STACK[SP]←PC, SP←SP -1, PC←a	2	2	-	-	-
SCALL a	1110 nnnn	STACK[SP]←PC, SP←SP - 1, PC←a, a = 8n + 6 (n=1~15), 0086h (n=0)	1	2	-	-	-
RET	0100 1111	SP←SP + 1, PC←STACK[SP]	1	2	-	-	-

**(10) Input/output**

Mnemonic	Object code ( binary )	Operation description	Byte	Cycle	Flag		
					C	Z	S
INA p	0110 1111 0100 pppp	Acc←PORT[p]	2	2	-	Z	Z'
INM p	0110 1111 1100 pppp	RAM[HL]←PORT[p]	2	2	-	-	Z'
OUT #k,p	0100 1010 kkkk pppp	PORT[p]←k	2	2	-	-	1
OUTA p	0110 1111 000p pppp	PORT[p]←Acc	2	2	-	-	1
OUTM p	0110 1111 100p pppp	PORT[p]←RAM[HL]	2	2	-	-	1

**(11) Flag manipulation**

Mnemonic	Object code ( binary )	Operation description	Byte	Cycle	Flag		
					C	Z	S
CGF	0101 0111	GF←0	1	1	-	-	1
SGF	0101 0101	GF←1	1	1	-	-	1

TFCFC	0101 0011	SF←CF', CF←0	1	1	0	-	*
TGS	0101 0100	SF←GF	1	1	-	-	*
TTCFS	0101 0010	SF←CF, CF←1	1	1	1	-	*
TZS	0101 1011	SF←ZF	1	1	-	-	*

**(12) Interrupt control**

Mnemonic	Object code ( binary )	Operation description	Byte	Cycle	Flag		
					C	Z	S
CIL r	0110 0011 11rr rrrr	IL←IL & r	2	2	-	-	1
DICIL r	0110 0011 10rr rrrr	EIF←0,IL←IL&r	2	2	-	-	1
EICIL r	0110 0011 01rr rrrr	EIF←1,IL←IL&r	2	2	-	-	1
EXAE	0111 0101	MASK↔Acc	1	1	-	-	1
RTI	0100 1101	SP←SP+1,FLAG.PC ←STACK[SP],EIF←1	1	2	*	*	*

**(13) CPU control**

Mnemonic	Object code ( binary )	Operation description	Byte	Cycle	Flag		
					C	Z	S
NOP	0101 0110	no operation	1	1	-	-	-

**(14) Timer/Counter & Data pointer & Stack pointer control**

Mnemonic	Object code ( binary )	Operation description	Byte	Cycle	Flag		
					C	Z	S
LDADPL	0110 1010 1111 1100	Acc←[DP] <sub>L</sub>	2	2	-	Z	1
LDADPM	0110 1010 1111 1101	Acc←[DP] <sub>M</sub>	2	2	-	Z	1
LDADPH	0110 1010 1111 1110	Acc←[DP] <sub>H</sub>	2	2	-	Z	1
LDASP	0110 1010 1111 1111	Acc←SP	2	2	-	Z	1
LDATAL	0110 1010 1111 0100	Acc←[TA] <sub>L</sub>	2	2	-	Z	1
LDATAM	0110 1010 1111 0101	Acc←[TA] <sub>M</sub>	2	2	-	Z	1
LDATAH	0110 1010 1111 0110	Acc←[TA] <sub>H</sub>	2	2	-	Z	1
LDATBL	0110 1010 1111 1000	Acc←[TB] <sub>L</sub>	2	2	-	Z	1
LDATBM	0110 1010 1111 1001	Acc←[TB] <sub>M</sub>	2	2	-	Z	1
LDATBH	0110 1010 1111 1010	Acc←[TB] <sub>H</sub>	2	2	-	Z	1
STADPL	0110 1001 1111 1100	[DP] <sub>L</sub> ←Acc	2	2	-	-	1
STADPM	0110 1001 1111 1101	[DP] <sub>M</sub> ←Acc	2	2	-	-	1
STADPH	0110 1001 1111 1110	[DP] <sub>H</sub> ←Acc	2	2	-	-	1
STASP	0110 1001 1111 1111	SP←Acc	2	2	-	-	1
STATAL	0110 1001 1111 0100	[TA] <sub>L</sub> ←Acc	2	2	-	-	1
STATAM	0110 1001 1111 0101	[TA] <sub>M</sub> ←Acc	2	2	-	-	1
STATAH	0110 1001 1111 0110	[TA] <sub>H</sub> ←Acc	2	2	-	-	1
STATBL	0110 1001 1111 1000	[TB] <sub>L</sub> ←Acc	2	2	-	-	1
STATBM	0110 1001 1111 1001	[TB] <sub>M</sub> ←Acc	2	2	-	-	1
STATBH	0110 1001 1111 1010	[TB] <sub>H</sub> ←Acc	2	2	-	-	1

**\*\*\*\* SYMBOL DESCRIPTION**

Symbol	Description	Symbol	Description
HR	H register	LR	L register
PC	Program counter	DP	Data pointer
SP	Stack pointer	STACK[SP]	Stack specified by SP
A <sub>CC</sub>	Accumulator	FLAG	All flags
CF	Carry flag	ZF	Zero flag
SF	Status flag	GF	General flag
EI	Enable interrupt register	IL	Interrupt latch
MASK	Interrupt mask	PORT[p]	Port ( address : p )
TA	Timer/counter A	TB	Timer/counter B
RAM[HL]	Data memory (address : HL )	RAM[x]	Data memory (address : x )
ROM[DP] <sub>L</sub>	Low 4-bit of program memory	ROM[DP] <sub>H</sub>	High 4-bit of program memory
[DP] <sub>L</sub>	Low 4-bit of data pointer register	[DP] <sub>M</sub>	Middle 4-bit of data pointer register
[DP] <sub>H</sub>	High 4-bit of data pointer register	[TA] <sub>L</sub> ([TB] <sub>L</sub> )	Low 4-bit of timer/counter A (timer/counter B) register
[TA] <sub>M</sub> ([TB] <sub>M</sub> )	Middle 4-bit of timer/counter A (timer/counter B) register	[TA] <sub>H</sub> ([TB] <sub>H</sub> )	High 4-bit of timer/counter A (timer/counter B) register
←	Transfer	↔	Exchange
+	Addition	-	Substraction
&	Logic AND		Logic OR
^	Logic XOR	'	Inverse operation
.	Concatenation	#k	4-bit immediate data
x	8-bit RAM address	y	4-bit zero-page address
p	4-bit or 5-bit port address	b	Bit address
r	6-bit interrupt latch	PC <sub>11-6</sub>	Bit 11 to 6 of program counter
LR <sub>1-0</sub>	Contents of bit assigned by bit 1 to 0 of LR	a <sub>5-0</sub>	Bit 5 to 0 of destination address for branch instruction
LR <sub>3-2</sub>	Bit 3 to 2 of LR		