

Preliminary

GENERAL DESCRIPTION

EM73A83 is an advanced single chip CMOS 4-bit micro-controller. It contains 16K-byte ROM, 500-nibble RAM, 4-bit ALU, 13-level subroutine nesting, 22-stage time base, two 12-bit timer/counters for the kernel function. EM73A83 also equipped with 6 interrupt sources, 3 I/O ports (including 1 input port and 2 bidirection ports), LCD display (40x16), built-in sound generator and speech synthesizer.

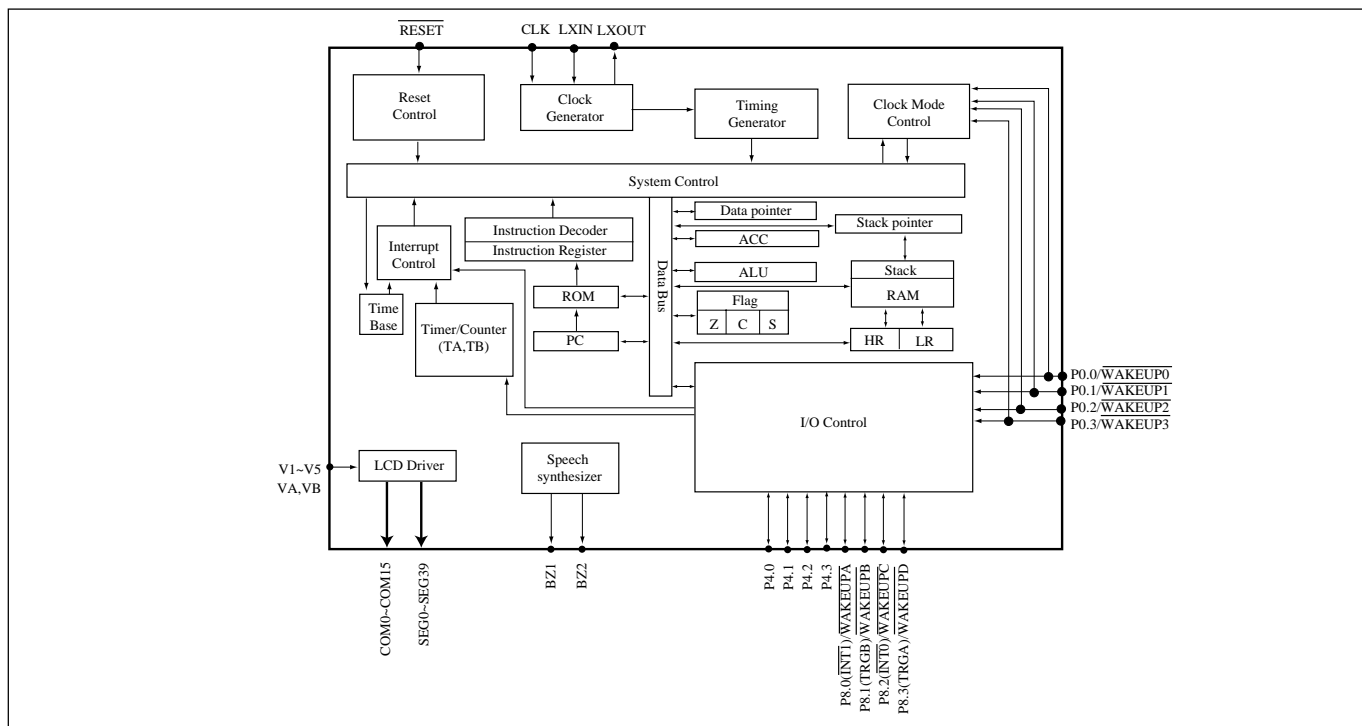
Its low power consumption and high speed feature are further strengthened with DUAL, SLOW, IDLE and STOP operation mode for optimized power saving.

FEATURES

- Operation voltage : 2.2V to 4.8V.
- Clock source : Dual clock system. Low-frequency oscillator is 32 KHz Crystal oscillator or RC oscillator by mask option and high-frequency oscillator is a built-in internal oscillator (4.6 MHz).
- Instruction set : 107 powerful instructions.
- Instruction cycle time : 1.7 μ s for 4.6M Hz (high speed clock).
244 μ s for 32768 Hz (low speed clock).
- ROM capacity : 16K x 8 bits.
- RAM capacity : 500 x 4 bits.
- Input port : 1 port (P0.0-P0.3), IDLE/STOP releasing function is available by mask option. (each input pin has a pull-up and pull-down resistor available by mask option).
- Bidirection port : 2 ports (P4, P8). IDLE/STOP release function for P8(0..3) is available by mask option.
- Built-in watch-dog-timer counter : It is available by mask option.
- 12-bit timer/counter : Two 12-bit timer/counters are programmable for timer, event counter and pulse width measurement mode.
- Built-in time base counter : 22 stages.
- Subroutine nesting : Up to 13 levels.
- Interrupt : External interrupt 2 input interrupt sources.
Internal interrupt 2 timer overflow interrupts, 1 time base interrupt.
1 speech interrupt.
- LCD driver : 40x16 dots, 1/16 duty, 1/5 bias with voltage multiplier.
- Sound effect : Tone generator and random generator.
- Speech synthesizer : 160K speech data ROM (use as 160K nibbles data ROM).
- Power saving function : SLOW, IDLE, STOP operation modes.
- Package type : Chip form 85 pins.

Preliminary

FUNCTION BLOCK DIAGRAM



PIN DESCRIPTIONS

| Symbol | Pin-type | Function |
|--|-------------|---|
| V_{DD}, V_{DD2} | | Power supply (+) |
| V_{SS} | | Power supply (-) |
| RESET | RESET-A | System reset input signal, low active mask option : none pull-up |
| CLK | OSC-G | Capacitor connecting pin for internal high frequency oscillator. |
| LXIN | OSC-B/OSC-H | Crystal/Resistor connecting pin for low speed clock source. |
| LXOUT | OSC-B | Crystal connecting pin for low speed clock source. |
| P0(0..3)/WAKEUP0..3 | INPUT-B | 4-bit input port with IDLE/STOP releasing function mask option : wakeup enable, pull-up wakeup enable, none wakeup disable, pull-up wakeup disable, pull-down wakeup disable, none |
| P4(0..3) | I/O-O | 4-bit bidirection I/O port with high current source. mask option : open-drain push-pull, high current PMOS push-pull, low current PMOS |
| P8.0(INT1)/WAKEUPA P8.2(INT0)/WAKEUPC | I/O-L | 2-bit bidirection I/O port with external interrupt sources input and IDLE /STOP releasing function mask option : wakeup enable, push-pull wakeup disable, push-pull wakeup disable, open-drain |
| P8.1(TRGB)/WAKEUPB P8.3(TRGA)/WAKEUPD | I/O-L | 2-bit bidirection I/O port with time/counter A,B external input and IDLE /STOP releasing function |

* This specification are subject to be changed without notice.

Preliminary

| Symbol | Pin-type | Function |
|-------------------------------|----------|--|
| | | mask option : wakeup enable, push-pull wakeup disable, push-pull wakeup disable, open-drain |
| BZ1, BZ2 | | Speech output pins |
| V1, V2, V3, V4, V5, VA, VB | | LCD bias pins |
| COM0~COM15 | | LCD common output pins |
| SEG0~SEG39 | | LCD segment output pins |
| TEST | | Tie Vss as package type, no connecting as COB type. |

FUNCTION DESCRIPTIONS

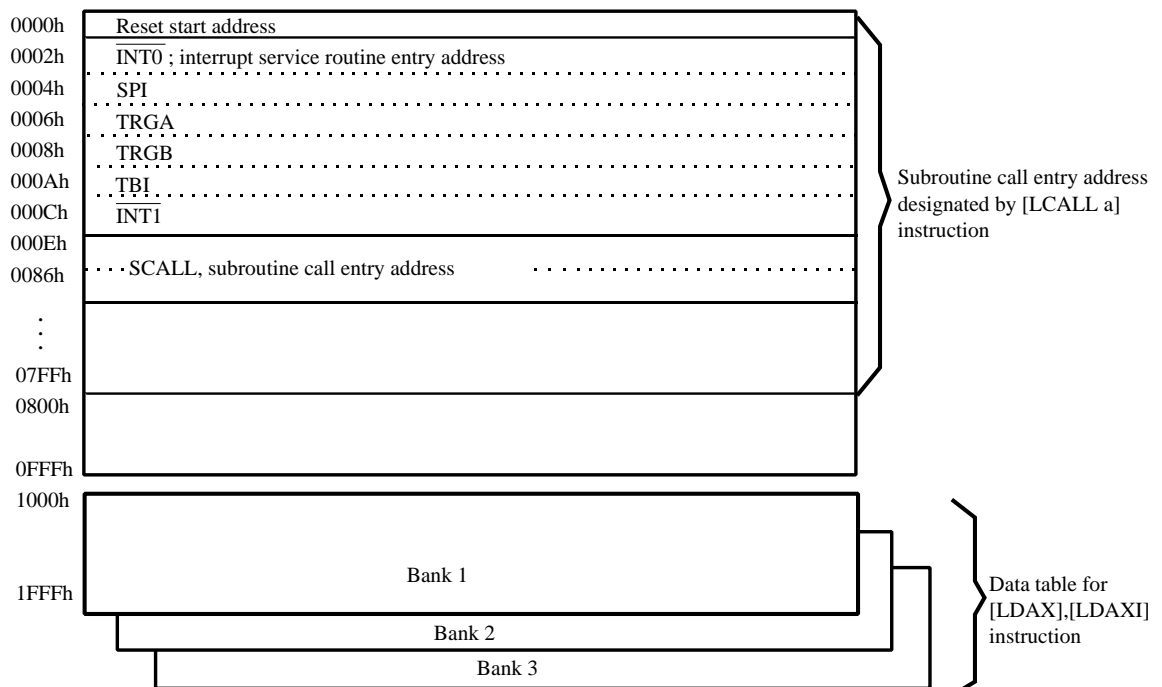
PROGRAM ROM (16K X 8 bits)

16 K x 8 bits program ROM contains user's program and some fixed data.

The basic structure of the program ROM may be categorized into 5 partitions.

1. Address 0000h: Reset start address.
2. Address 0002h - 000Ch : 6 kinds of interrupt service routine entry addresses.
3. Address 000Eh-0086h : SCALL subroutine entry address, only available at 000Eh, 0016h, 001Eh, 0026h, 002Eh, 0036h, 003Eh, 0046h, 004Eh, 0056h, 005Eh, 0066h, 006Eh, 0076h, 007Eh, 0086h.
4. Address 0000h - 07FFh : LCALL subroutine entry address.
5. Address 0000h - 1FFFh : Except used as above function, the other region can be used as user's program and data region.

address Bank 0 :



Preliminary

User's program and fixed data are stored in the program ROM. User's program is executed using the PC value to fetch an instruction code.

The 16Kx8 bits program ROM can be divided into 4 banks. There are 4Kx8 bits per bank.

The program ROM bank is selected by P3(1..0). The program counter is a 13-bit binary counter. The PC and P3 are initialized to "0" during reset.

When P3(1..0)=00B, the bank0 and bank1 of program ROM will be selected. P3(1..0)=01B, the bank0 and bank2 will be selected.

| Address | P3=xx00B | P3=xx01B | P3=xx10B |
|---------|----------|----------|----------|
| 0000h | Bank0 | Bank0 | Bank0 |
| : | | | |
| : | | | |
| 0FFFh | Bank1 | Bank2 | Bank3 |
| 1000h | | | |
| : | | | |
| 1FFFh | | | |

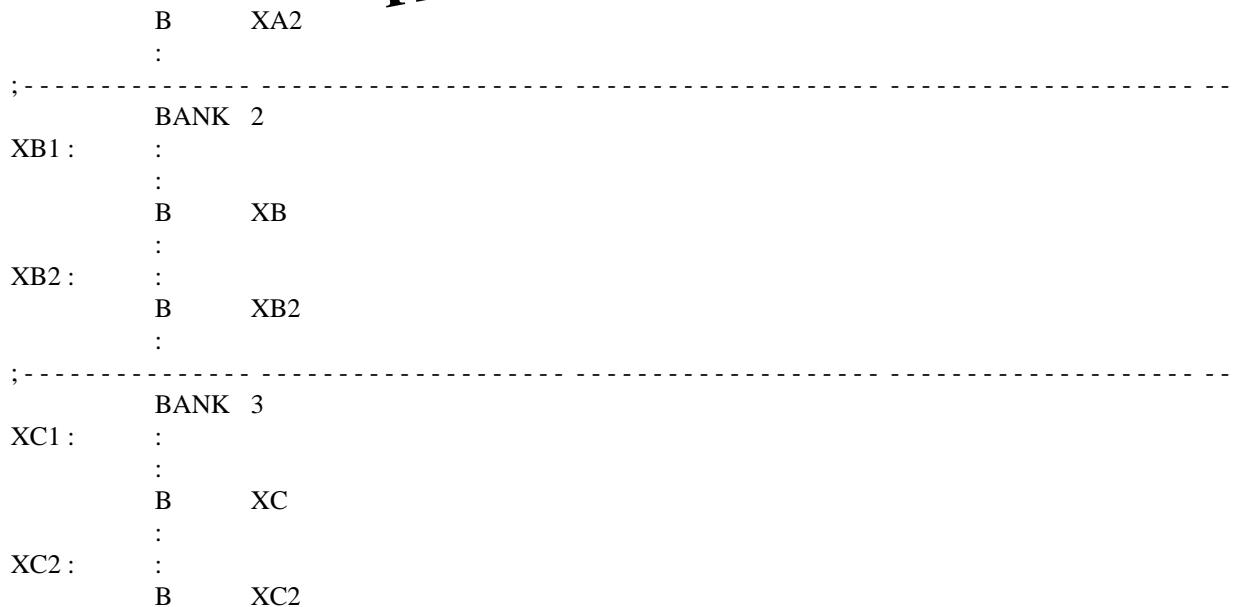
PROGRAM EXAMPLE :

```

      BANK 0
START:  :
        :
        :
        LDIA #00H           ; set program ROM to bank1
        OUTA P3
        B    XA1
      XA :
        :
        :
        LDIA #01H           ; set program ROM to bank2
        OUTA P3
        B    XB1
      XB :
        :
        :
        LDIA #02H           ; set program ROM to bank3
        OUTA P3
        B    XC1
      XC :
        :
        :
        B    XD
      XD :
        :
        :
        :
;-----
      BANK 1
      XA1 :
        :
        :
        B    XA
        :
      XA2 :
        :

```

Preliminary



Fixed data can be read out by table-look-up instruction. Table-look-up instruction is requires the Data point (DP) to indicate the ROM address in obtaining the ROM code data (Except bank 0) :

LDAX **Acc ← ROM[DP]_L**
LDAXI **Acc ← ROM[DP]_H, DP+1**

DP is a 12-bit data register that stores the program ROM address as pointer for the ROM code data. User has to initially load ROM address into DP with instructions "STADPL", and "STADPM, STADPH", then then to obtain the lower nibble of ROM code data by instruction "LDAX" and higher nibble by instruction "LDAXI"

PROGRAM EXAMPLE: Read out the ROM code of address 1777h by table-look-up instruction.

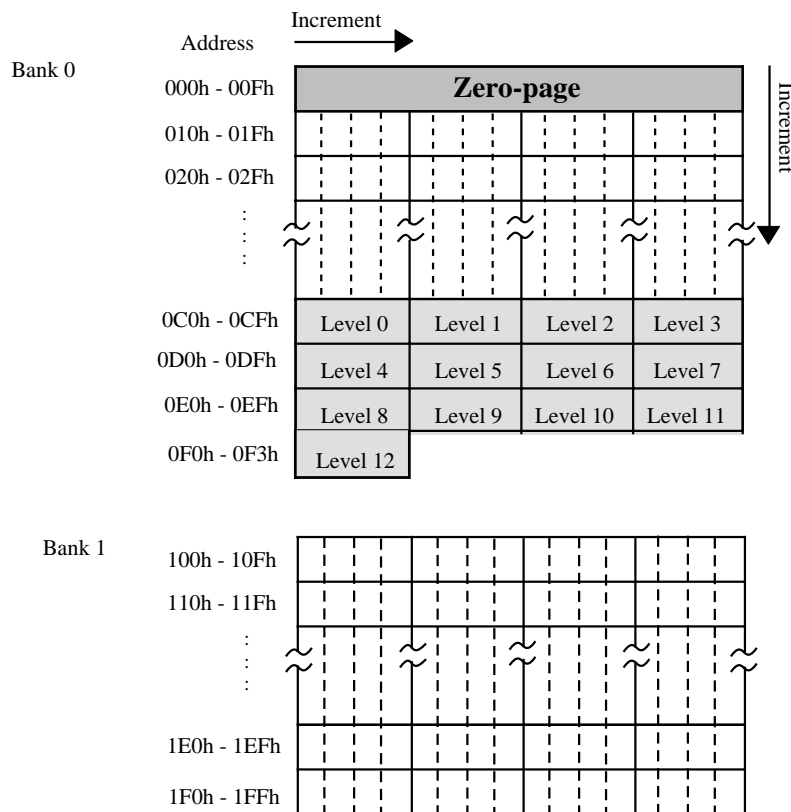
```

LDIA #07h;
STADPL ; [DP]L ← 07h
STADPM ; [DP]M ← 07h
STADPH ; [DP]H ← 07h, Load DP=777h
:
LDL #00h;
LDH #03h;
LDAX ; ACC ← 6h
STAMI ; RAM[30] ← 6h
LDAXI ; ACC ← 5h
STAM ; RAM[31] ← 5h
;
ORG 1777h
DATA 56h;
  
```

DATA RAM (500-nibble)

A total 500 - nibble data RAM is available from address 000 to 1FFh
 Data RAM includes the zero page region, stacks and data areas.

Preliminary



ZERO- PAGE:

From 000h to 00Fh is the zero-page location. It is used as the zero-page address mode pointer for the instruction of "STD #k,y; ADD #k,y; CLR y,b; CMP k,y".

PROGRAM EXAMPLE: To write immediate data "07h" to RAM [03] and to clear bit 2 of RAM [0Eh].
 STD #07h, 03h ; RAM[03] ← 07h
 CLR 0Eh,2 ; RAM[0Eh]₂ ← 0

STACK:

There are 13 - level (maximum) stack levels that user can use for subroutine (including interrupt and CALL). User can assign any level be the starting stack by providing the level number to stack pointer (SP). When an instruction (CALL or interrupt) is invoked, before enter the subroutine, the previous PC address is saved into the stack until returned from those subroutines, the PC value is restored by the data saved in stack.

DATA AREA:

Except the area used by user's application, the whole RAM can be used as data area for storing and loading general data.

ADDRESSING MODE

The 500 nibble data memory consists of two banks (bank 0 and bank 1). There are 244x4 bits (address 000h~0F3h) in bank 0 and 256x4 bits (address 100h~1FFh) in bank 1.

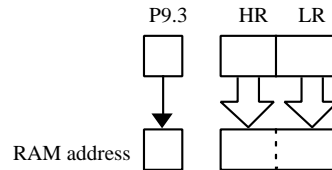
Preliminary

The bank is selected by P9.3. When P9.3 is cleared to "0", the bank 0 is selected. When P9.3 is set to "1", the bank 1 is selected.

The Data Memory consists of three Address mode, namely -

(1) Indirect addressing mode:

The address in the bank is specified by the HL registers.



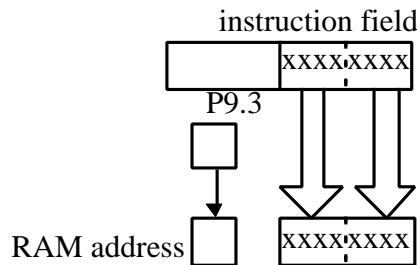
PROGRAM EXAMPLE: Load the data of RAM address "143h" to RAM address "032h".

```

SEP P9,3 ; P9.3 ← 1
LDL #3h ; LR ← 3
LDH #4h ; HR ← 4
LDAM ; Acc ← RAM[134h]
CLP P9,3 ; P9.3 ← 0
LDL #2h ; LR ← 2
LDH #3h ; HR ← 3
STAM ; RAM[023h] ← Acc
    
```

(2) Direct addressing mode:

The address in the bank is directly specified by 8 bits code of the second byte in the instruction field.



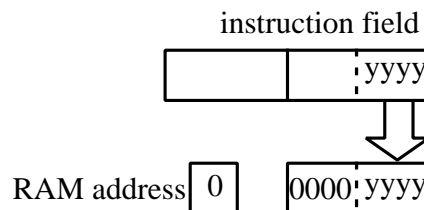
PROGRAM EXAMPLE: Load the data of RAM address "143h" to RAM address "023h".

```

SEP P9,3 ; P9.3 ← 1
LDA 43h ; Acc ← RAM[143h]
CLP P9,3 ; P9.3 ← 0
STA 23h ; RAM[023h] ← Acc
    
```

(3) Zero-page addressing mode:

The zero-page is in the bank 0 (address 000h~00Fh). The address is the lower 4 bits code of the second byte in the instruction field.



PROGRAM EXAMPLE: Write immediate "0Fh" to RAM address "005h".

```

STD #0Fh, 05h ; RAM[05h] ← 0Fh
    
```

Preliminary

PROGRAM COUNTER (16K ROM)

Program counter (PC) is composed by a 13-bit counter, which indicates the next executed address for the instruction of program ROM instruction.

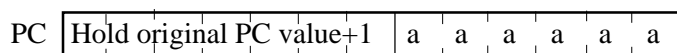
For BRANCH and CALL instructions, PC is changed by instruction indicating. PC only can indicate the address from 0000h-1FFFh. The bank number is decided by P3.

(1) Branch instruction:

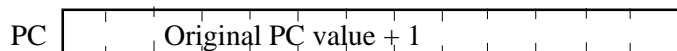
SBR a

Object code: 00aa aaaa

Condition: SF=1; PC ← PC_{12-6,a} (branch condition satisfied)



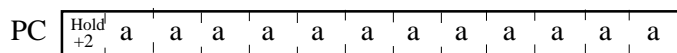
SF=0; PC← PC +1(branch condition not satisfied)



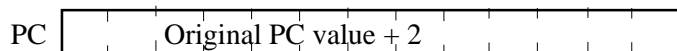
LBR a

Object code: 1100 aaaa aaaa aaaa

Condition: SF=1; PC ← PC_{12,a} (branch condition satisfied)



SF=0; PC← PC +2(branch condition not satisfied)

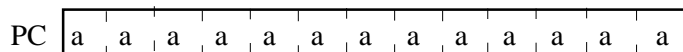


SLBR a

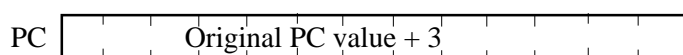
Object code: 0101 0101 1100 aaaa aaaa aaaa (a:1000h~1FFFh)

0101 0111 1100 aaaa aaaa aaaa (a:0000h~0FFFh)

Condition: SF=1; PC ← a (branch condition satisfied)



SF=0 ; PC ← PC + 3 (branch condition not satisfied)

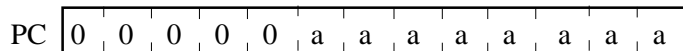


(2) Subroutine instruction:

SCALL a

Object code: 1110 nnnn

Condition : PC ← a ; a=8n+6 ; n=1..Fh ; a=86h, n=0



LCALL a

Object code: 0100 0aaa aaaa aaaa

Condition: PC ← a

Preliminary

PC

| | | | | | | | | | | | | | |
|---|---|---|---|---|---|---|---|---|---|---|---|---|---|
| 0 | 0 | a | a | a | a | a | a | a | a | a | a | a | a |
|---|---|---|---|---|---|---|---|---|---|---|---|---|---|

RET

Object code: 0100 1111

Condition: $PC \leftarrow \text{STACK}[\text{SP}]; \text{SP} + 1$

PC

| | | | | | | | | | | | | | |
|------------------------------------|--|--|--|--|--|--|--|--|--|--|--|--|--|
| The return address stored in stack | | | | | | | | | | | | | |
|------------------------------------|--|--|--|--|--|--|--|--|--|--|--|--|--|

RTI

Object code: 0100 1101

Condition : $\text{FLAG}. PC \leftarrow \text{STACK}[\text{SP}]; \text{EI} \leftarrow 1; \text{SP} + 1$

PC

| | | | | | | | | | | | | | |
|------------------------------------|--|--|--|--|--|--|--|--|--|--|--|--|--|
| The return address stored in stack | | | | | | | | | | | | | |
|------------------------------------|--|--|--|--|--|--|--|--|--|--|--|--|--|

(3) Interrupt acceptance operation:

When an interrupt is accepted, the original PC is pushed into stack and interrupt vector will be loaded into PC. The interrupt vectors are as follows :

$\overline{\text{INT0}}$ (External interrupt from P8.2)

PC

| | | | | | | | | | | | | | |
|---|---|---|---|---|---|---|---|---|---|---|---|---|---|
| 0 | 0 | 0 | 0 | 0 | 0 | 0 | 0 | 0 | 0 | 0 | 0 | 1 | 0 |
|---|---|---|---|---|---|---|---|---|---|---|---|---|---|

SPI (speech end interrupt)

PC

| | | | | | | | | | | | | | |
|---|---|---|---|---|---|---|---|---|---|---|---|---|---|
| 0 | 0 | 0 | 0 | 0 | 0 | 0 | 0 | 0 | 0 | 0 | 1 | 0 | 0 |
|---|---|---|---|---|---|---|---|---|---|---|---|---|---|

TRGA (Timer A overflow interrupt)

PC

| | | | | | | | | | | | | | |
|---|---|---|---|---|---|---|---|---|---|---|---|---|---|
| 0 | 0 | 0 | 0 | 0 | 0 | 0 | 0 | 0 | 0 | 0 | 1 | 1 | 0 |
|---|---|---|---|---|---|---|---|---|---|---|---|---|---|

TRGB (Time B overflow interrupt)

PC

| | | | | | | | | | | | | | |
|---|---|---|---|---|---|---|---|---|---|---|---|---|---|
| 0 | 0 | 0 | 0 | 0 | 0 | 0 | 0 | 0 | 0 | 1 | 0 | 0 | 0 |
|---|---|---|---|---|---|---|---|---|---|---|---|---|---|

TBI (Time base interrupt)

PC

| | | | | | | | | | | | | | |
|---|---|---|---|---|---|---|---|---|---|---|---|---|---|
| 0 | 0 | 0 | 0 | 0 | 0 | 0 | 0 | 0 | 0 | 1 | 0 | 1 | 0 |
|---|---|---|---|---|---|---|---|---|---|---|---|---|---|

$\overline{\text{INT1}}$ (External interrupt from P8.0)

PC

| | | | | | | | | | | | | | |
|---|---|---|---|---|---|---|---|---|---|---|---|---|---|
| 0 | 0 | 0 | 0 | 0 | 0 | 0 | 0 | 0 | 0 | 1 | 1 | 0 | 0 |
|---|---|---|---|---|---|---|---|---|---|---|---|---|---|

(4) Reset operation:

PC

| | | | | | | | | | | | | | |
|---|---|---|---|---|---|---|---|---|---|---|---|---|---|
| 0 | 0 | 0 | 0 | 0 | 0 | 0 | 0 | 0 | 0 | 0 | 0 | 0 | 0 |
|---|---|---|---|---|---|---|---|---|---|---|---|---|---|

Preliminary

(5) Other operations:

For 1-byte instruction execution: PC + 1

For 2-byte instruction execution: PC + 2

For 3-byte instruction execution: PC + 3

ACCUMULATOR

Accumulator(ACC) is a 4-bit data register for temporary data storage. For the arithmetic, logic and comparative operation..., ACC plays a role which holds the source data and result.

FLAGS

There are three kinds of flag, CF (Carry flag), ZF (Zero flag) and SF (Status flag), these three 1-bit flags are included by the arithmetic, logic and comparative operation.

All flags will be put into stack when an interrupt subroutine is served, and the flags will be restored after RTI instruction is executed.

(1) Carry Flag (CF)

The carry flag is affected by the following operations:

- a. Addition : CF as a carry out indicator, under addition operation, when a carry-out occurs, the CF is "1", likewise, if the operation has no carry-out, CF is "0".
- b. Subtraction : CF as a borrow-in indicator, under subtraction operation, when a borrow occurs, the CF is "0", likewise, if there is no borrow-in, the CF is "1".
- c. Comparison: CF as a borrow-in indicator for Comparison operation as in the subtraction operation.
- d. Rotation: CF shifts into the empty bit of accumulator for the rotation and holds the shift out data after rotation.
- e. CF test instruction : Under TFCFC instruction, the CF content is sent into SF then clear itself as "0". Under TTSCFC instruction, the CF content is sent into SF then set itself as "1".

(2) Zero Flag (ZF)

ZF is affected by the result of ALU, if the ALU operation generates a "0" result, the ZF is "1", likewise, the ZF is "0".

(3) Status Flag (SF)

The SF is affected by instruction operation and system status.

- a. SF is initiated to "1" for reset condition.
- b. Branch instruction is decided by SF, when SF=1, branch condition is satisfied, likewise, when SF = 0, branch condition is unsatisfied.

Preliminary

PROGRAM EXAMPLE:

Check following arithmetic operation for CF, ZF, SF

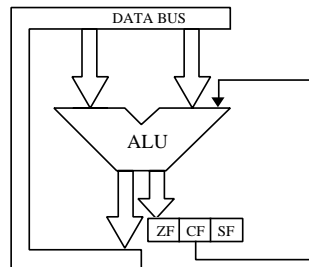
| | CF | ZF | SF |
|------------|----|----|----|
| LDIA #00h; | - | 1 | 1 |
| LDIA #03h; | - | 0 | 1 |
| ADDA #05h; | - | 0 | 1 |
| ADDA #0Dh; | - | 0 | 0 |
| ADDA #0Eh; | - | 0 | 0 |

ALU

The arithmetic operation of 4 - bit data is performed in ALU unit . There are 2 flags that can be affected by the result of ALU operation, ZF and SF. The operation of ALU is affected by CF only.

ALU STRUCTURE

ALU supported user arithmetic operation functions, including Addition, Subtraction and Rotation.



ALU FUNCTION

(1) Addition:

ALU supports addition function with instructions ADDAM, ADCAM, ADDM #k, ADD #k,y The addition operation affects CF and ZF. Under addition operation, if the result is "0", ZF will be "1", otherwise, ZF will be "0", When the addition operation has a carry-out. CF will be "1", otherwise, CF will be "0".

EXAMPLE:

| Operation | Carry | Zero |
|-----------|-------|------|
| 3+4=7 | 0 | 0 |
| 7+F=6 | 1 | 0 |
| 0+0=0 | 0 | 1 |
| 8+8=0 | 1 | 1 |

(2) Subtraction:

ALU supports subtraction function with instructions SUBM #k, SUBA #k, SBCAM, DECM... . The subtraction operation affects CF and ZF. Under subtraction operation, if the result is negative, CF will be "0", and a borrow out, otherwise, if the result is positive, CF will be "1". For ZF, if the result of subtraction operation is "0", the ZF is "1", likewise, ZF is "1".

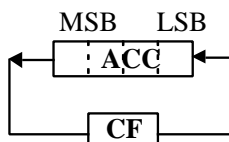
Preliminary

EXAMPLE:

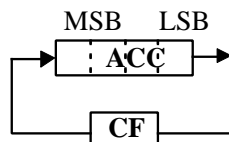
| Operation | Carry | Zero |
|---------------|-------|------|
| 8-4=4 | 1 | 0 |
| 7-F= -8(1000) | 0 | 0 |
| 9-9=0 | 1 | 1 |

(3) Rotation:

Two types of rotation operation are available, one is rotation left, the other is rotation right. RLCA instruction rotates Acc value counter-clockwise, shift the CF value into the LSB bit of Acc and hold the shift out data in CF.



RRCA instruction operation rotates Acc value clockwise, shift the CF value into the MSB bit of Acc and hold the shift out data in CF.

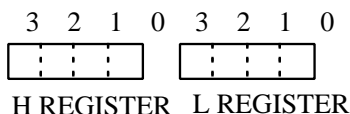


PROGRAM EXAMPLE: To rotate Acc clockwise (right) and shift a "1" into the MSB bit of Acc.
TTCFS; CF ← 1
RRCA; rotate Acc right and shift CF=1 into MSB.

HL REGISTER

HL register are two 4-bit registers, they are used as a pair of pointer for the RAM memory address. They are used as also 2 independent temporary 4-bit data registers. For certain instructions, L register can be a pointer to indicate the pin number (Port4 only).

HL REGISTER STRUCTURE



HL REGISTER FUNCTION

(1) HL register is used as a temporary register for instructions : LDL #k, LDH #k, THA, THL, INCL, DECL, EXAL, EXAH.

PROGRAM EXAMPLE: Load immediate data "5h" into L register, "0Dh" into H register.
LDL #05h;
LDH #0Dh;

(2) HL register is used as a pointer for the address of RAM memory for instructions : LDAM, STAM, STAMI ...

PROGRAM EXAMPLE: Store immediate data "#0Ah" into RAM of address 35h.

Preliminary

```
LDL #5h;
LDH #3h;
STDMI #0Ah; RAM[35] ← Ah
```

- (3) L register is used as a pointer to indicate the bit of I/O port for instructions : SELP, CLPL, TFPL,
(When LR = 0 indicate P4.0)

PROGRAM EXAMPLE: To set bit 0 of Port4 to "1"
LDL #00h;
SEPL ; P4.0 ← 1

STACK POINTER (SP)

Stack pointer is a 4-bit register that stores the present stack level number.
Before using stack, user must set the SP value first, CPU will not initiate the SP value after reset condition.
When a new subroutine is received, the SP is decreased by one automatically, likewise, if returning from a subroutine, the SP is increased by one.
The data transfer between ACC and SP is done with instructions "LDASP" and "STASP".

DATA POINTER (DP)

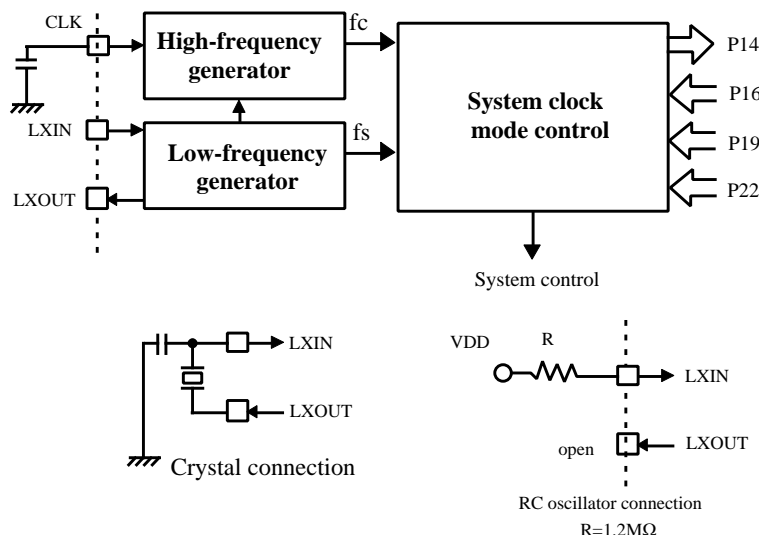
Data pointer is a 12-bit register that stores the ROM address can indicating the ROM code data specified by user (refer to data ROM).

CLOCK AND TIMING GENERATOR

The clock generator is supported by a dual clock system. The high-frequency oscillator is internal oscillator, the working frequency is 4.6 MHz. The low-frequency oscillator may be sourced from crystal or RC oscillator as defined by mask option, the working frequency is 32 KHz.

CLOCK GENERATOR STRUCTURE

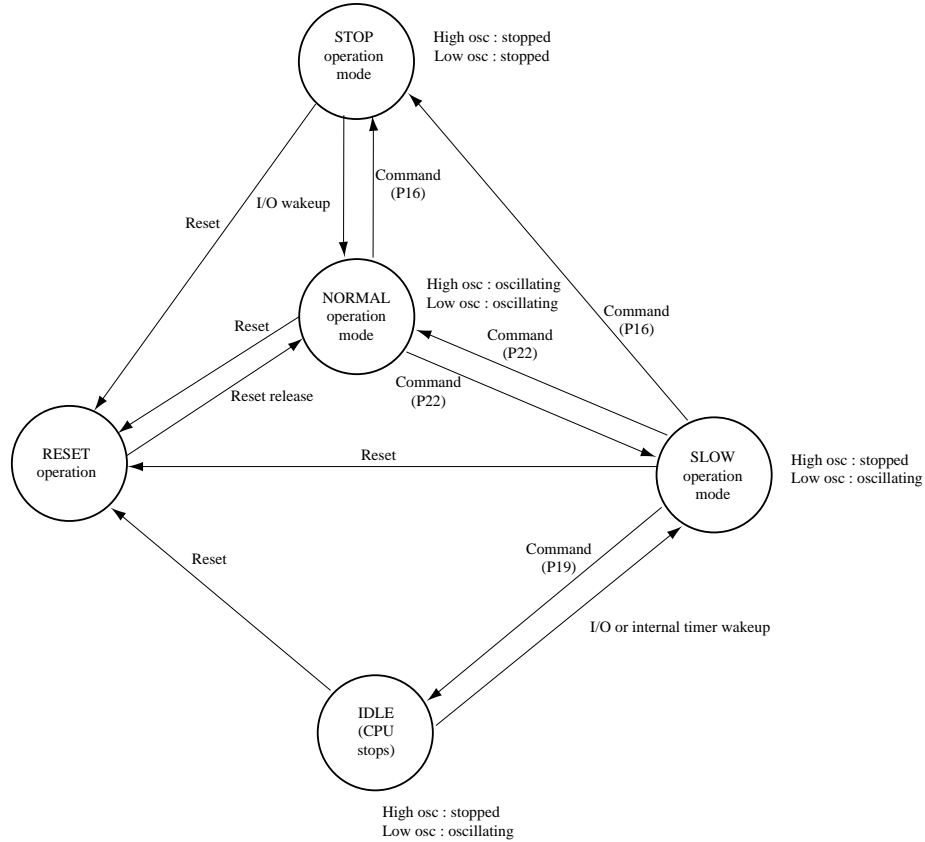
There are two clock generator for system clock control unit, P14 is the status register that hold the CPU status. P16, P19 and P22 are the command register for system clock mode control.



Preliminary

SYSTEM CLOCK MODE CONTROL

The system clock mode controller can start or stop the high-frequency and low-frequency clock oscillator and switch between the basic clocks. EM73A83 has four operation modes (DUAL, SLOW, IDLE and STOP operation modes).



| Operation Mode | Oscillator | System Clock | Available function | One instruction cycle |
|----------------|---------------------|----------------------|-------------------------|-----------------------|
| NORMAL | High, Low frequency | High frequency clock | LCD, speech, sound gen. | 8 / fc |
| SLOW | Low frequency | Low frequency clock | LCD | 8 / fs |
| IDLE | Low frequency | CPU stops | LCD | - |
| STOP | None | CPU stops | All disable | - |

DUAL OPERATION MODE

The 4-bit μ c is in the DUAL operation mode when the CPU is reseted. This mode is dual clock system (high-frequency and low-frequency clocks oscillating). It can be changed to SLOW or STOP operation mode with the command register (P22 or P16).

LCD display, speech synthesizer and sound generator are available for the DUAL operation mode.

SLOW OPERATION MODE

The SLOW operation mode is single clock system (low-frequency clock oscillating). It can be changed to the DUAL operation mode with the command register (P22), STOP operation mode with P16 and IDLE operation mode with P19.

LCD display is available for the SLOW operation mode. Speech synthesizer and sound generator are disabled in this mode.

Preliminary

P22 3 2 1 0 Initial value : 0000

| | | | |
|---|--|-----|--|
| * | | SOM | |
|---|--|-----|--|

| | |
|-------|-----------------------|
| SOM | Select operation mode |
| 0 0 0 | DUAL operation mode |
| 1 * * | SLOW operation mode |

P14 3 2 1 0 Initial value : *000

| | | | |
|---|-----|-----|------|
| * | WKS | LFS | CPUS |
|---|-----|-----|------|

| | | | |
|-----|---------------------------|------|---------------------|
| LFS | Low-frequency status | CPUS | CPU status |
| 0 | LXIN source is not stable | 0 | DUAL operation mode |
| 1 | LXIN source is stable | 1 | SLOW operation mode |

| | |
|-----|------------------------------|
| WKS | Wakeup status |
| 0 | Wakeup not by internal timer |
| 1 | Wakeup by internal timer |

Port14 is the status register for CPU. P14.0 (CPU status) and P14.1 (Low-frequency status) are read-only bits. P14.2 (wakeup status) will be set as "1" when CPU is waked by internal timer. P14.2 will be cleared as "0" when user out data to P14.

IDLE OPERATION MODE

The IDLE operation mode suspends all CPU functions except the low-frequency clock oscillation and the LCD driver. It keeps the internal status with low power consumption without stopping the slow clock oscillator and LCD display.

LCD display is available for the IDLE operation mode. Sound generator is disabled in this mode. The IDLE operation mode will be wakeup and return to the SLOW operation mode by the internal timing generator or I/O pins (P0(0..3)/WAKEUP 0..3 and P8(0..3)/WAKEUPA..D).

P19 3 2 1 0 Initial value : 0000

| | | | |
|---|------|------|--|
| * | IDME | SIDR | |
|---|------|------|--|

| | |
|------|------------------|
| IDME | Enable IDLE mode |
| 1 | Enable IDLE mode |
| 0 | no function |

| | |
|------|---|
| SIDR | Select IDLE releasing condition |
| 0 0 | P0(0..3), P8(0..3) pin input |
| 0 1 | P0(0..3), P8(0..3) pin input and 1 sec signal |
| 1 0 | P0(0..3), P8(0..3) pin input and 0.5 sec signal |
| 1 1 | P0(0..3), P8(0..3) pin input and 15.625 ms signal |

STOP OPERATION MODE

The STOP operation mode suspends system operation and holds the internal status immediately before the suspension with low power consumption. This mode will be released by reset or I/O pins (P0(0..3)/WAKEUP 0..3 and P8(0..3)/WAKEUP A..D).

LCD display and sound generator are disabled in the STOP operation mode.

Preliminary

P16 3 2 1 0 Initial value : 0000

| | | |
|---|------|------|
| * | SPME | SWWT |
|---|------|------|

| SPME | Enable STOP mode |
|------|------------------|
| 1 | Enable STOP mode |
| 0 | no function |

| SWWT | Set wake-up warm-up time |
|------|--------------------------|
| 0 0 | $2^{14}/LXIN$ |
| 0 1 | $2^{10}/LXIN$ |
| 1 0 | $2^{12}/LXIN$ |
| 1 1 | no function |

TIME BASE INTERRUPT (TBI)

The time base can be used to generate a single fixed frequency interrupt. Eight types of frequencies can be selected with the "P25" setting.

P25 3 2 1 0 initial value : 0000

| P25 | DUAL operation mode | SLOW operation mode |
|---------|--|--|
| 0 0 x x | Interrupt disable | Interrupt disable |
| 0 1 0 0 | Interrupt frequency $LXIN / 2^3$ Hz | Reserved |
| 0 1 0 1 | Interrupt frequency $LXIN / 2^4$ Hz | Reserved |
| 0 1 1 0 | Interrupt frequency $LXIN / 2^5$ Hz | Reserved |
| 0 1 1 1 | Interrupt frequency $LXIN / 2^{14}$ Hz | Interrupt frequency $LXIN / 2^{14}$ Hz |
| 1 1 0 0 | Interrupt frequency $LXIN / 2^1$ Hz | Reserved |
| 1 1 0 1 | Interrupt frequency $LXIN / 2^6$ Hz | Interrupt frequency $LXIN / 2^6$ Hz |
| 1 1 1 0 | Interrupt frequency $LXIN / 2^8$ Hz | Interrupt frequency $LXIN / 2^8$ Hz |
| 1 1 1 1 | Interrupt frequency $LXIN / 2^{10}$ Hz | Interrupt frequency $LXIN / 2^{10}$ Hz |
| 1 0 x x | Reserved | Reserved |

TIMER / COUNTER (TIMERA, TIMERB)

Timer/counters support three special functions:

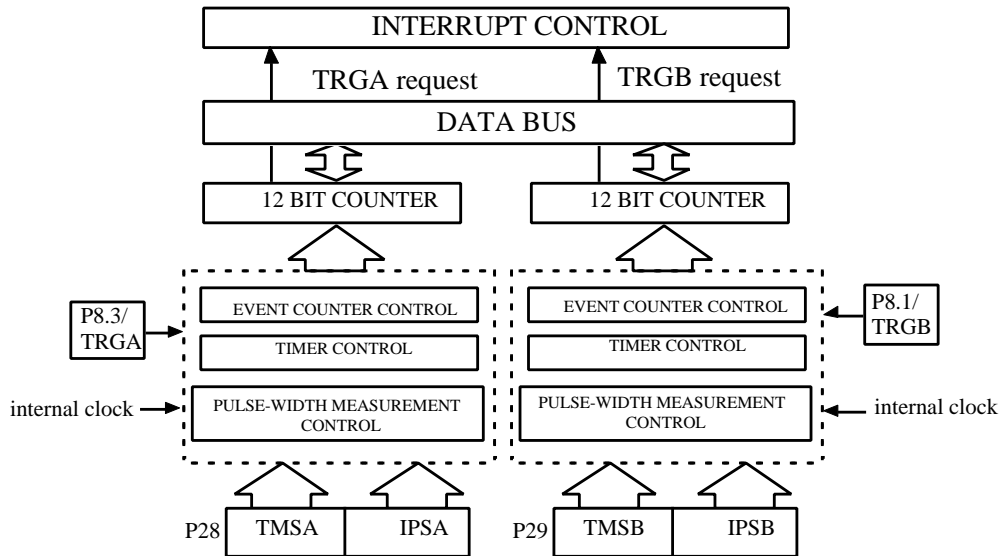
1. Even counter
2. Timer.
3. Pulse-width measurement.

These three functions can be executed by 2 timer/counter independently.

With timerA, the counter data is saved in timer register TAH, TAM, TAL. User can set counter initial value and read the counter value by instruction "LDATAH(M,L)" and "STATAH(M,L)". With timer B register is TBH, TBM, TBL and the W/R instruction are "LDATBH (M,L)" and "STATBH (M,L)".

The basic structure of timer/counter is composed by two identical counter module, these two modules can be set initial timer or counter value to the timer registers, P28 and P29 are the command registers for timerA and timer B, user can choose different operation modes and internal clock rates by setting these two registers. When timer/counter overflows, it will generate a TRGA(B) interrupt request to interrupt control unit.

Preliminary



TIMER/COUNTER CONTROL

P8.1/TRGB, P8.3/TRGA are the external timer inputs for timerB and timerA, they are used in event counter and pulse-width measurement mode.

Timer/counter command port: P28 is the command port for timer/counterA and P29 is for the timer/counterB.

| | | | | | |
|---------|---------|---------------------|------|-------------------------------------|------------------------------|
| Port 28 | 3 2 1 0 | | | TIMER/COUNTER MODE SELECTION | |
| | | TMSA | IPSA | TMSA (B) | Function description |
| | | Initial state: 0000 | | 0 0 | Stop |
| | | | | 0 1 | Event counter mode |
| | | | | 1 0 | Timer mode |
| | | | | 1 1 | Pulse width measurement mode |

| | | |
|---------|---------------------|------|
| Port 29 | 3 2 1 0 | |
| | TMSB | IPSB |
| | Initial state: 0000 | |

| INTERNAL PULSE-RATE SELECTION | | |
|-------------------------------|------------------|------------------|
| IPSA(B) | DUAL mode | SLOW mode |
| 0 0 | $LXIN/2^3$ Hz | Reserved |
| 0 1 | $LXIN/2^7$ Hz | $LXIN/2^7$ Hz |
| 1 0 | $LXIN/2^{11}$ Hz | $LXIN/2^{11}$ Hz |
| 1 1 | $LXIN/2^{15}$ Hz | $LXIN/2^{15}$ Hz |

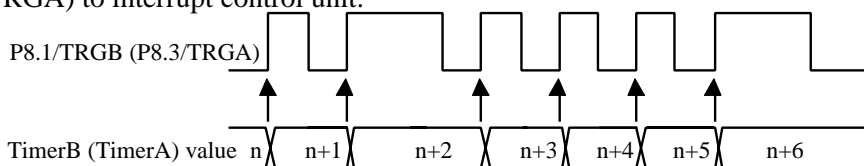
Preliminary

TIMER/COUNTER FUNCTION

Timer/counterA,B are programmable for timer, event counter and pulse width measurement mode. Each timer/counter can execute any of these functions independently.

EVENT COUNTER MODE

under event counter mode, the timer/counter is increased by one at any rising edge of P8.1/TRGB for timerB (P8.3/TRGA for timer A). When timerB (timerA) counts overflow, it will provide an interrupt request TRGB (TRGA) to interrupt control unit.



PROGRAM EXAMPLE: Enable timerA with P28

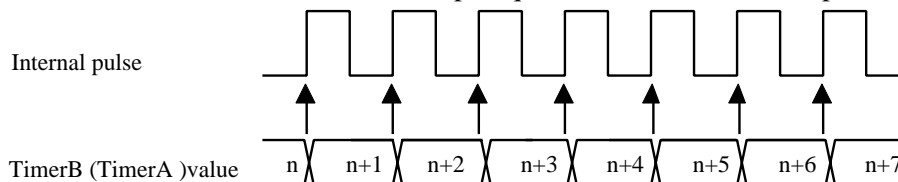
```
LDIA #0100b;
```

```
OUTA P28; Enable timerA with event counter mode
```

TIMER MODE

Under timer mode, the timer/counter is increased by one at any rising edge of internal pulse. User can choose up to 4 types of internal pulse rate by setting IPSB for timerB (IPSA for timerA).

When timer/counter counts overflow, an interrupt request will be sent to interrupt control unit.



PROGRAM EXAMPLE: To generate TRGA interrupt request after 60 ms with system clock LXIN=32KHz

```
LDIA #0100B;
```

```
EXAE; enable mask 2
```

```
EICIL 110111b; interrupt latch ←0, enable EI
```

```
LDIA #0Ah;
```

```
STATAL;
```

```
LDIA #00h;
```

```
STATAM;
```

```
LDIA #0Fh;
```

```
STATAH;
```

```
LDIA #1000B;
```

```
OUTA P28; enable timerA with internal pulse rate: LXIN/23 Hz
```

NOTE: The preset value of timer/counter register is calculated as following procedure.

Internal pulse rate: $LXIN/2^3$; $LXIN = 32KHz$

The time of timer counter count one = $2^3 / LXIN = 8/32768=0.244ms$

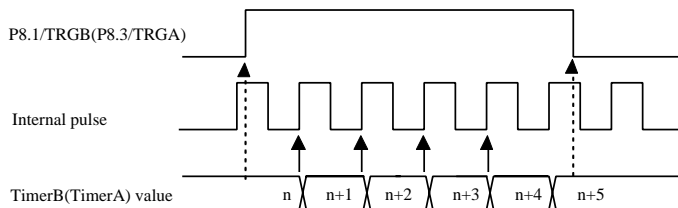
The number of internal pulse to get timer overflow = $60 ms / 0.244ms = 245.901 = 0F6h$

The preset value of timer/counter register = $1000h - 0F6h = F0Ah$

PULSE WIDTH MEASUREMENT MODE

Preliminary

Under the pulse width measurement mode, the counter is increased at the rising edge of internal pulse during external timer/counter input (P8.1/TRGB, P8.3/TRGA) in high level, interrupt request is generated as soon as timer/counter count overflow.



PROGRAM EXAMPLE: Enable timerA by pulse width measurement mode.

LDIA #1100b;

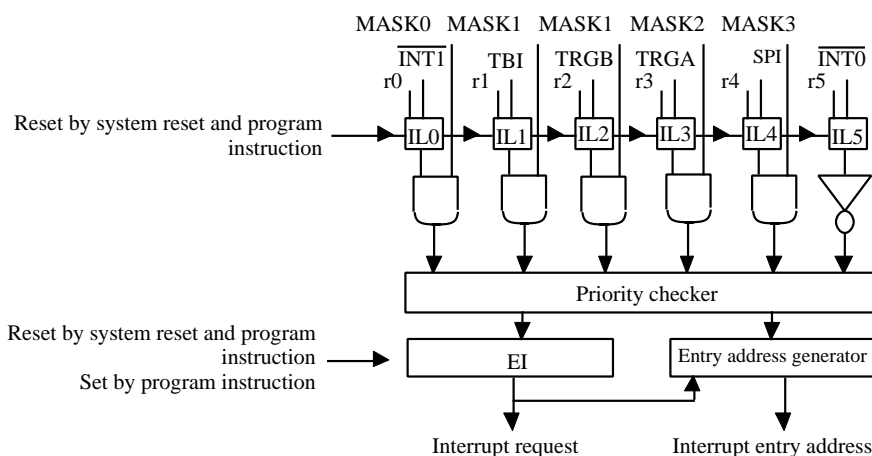
OUTA P28; Enable timerA with pulse width measurement mode.

INTERRUPT FUNCTION

Six interrupt sources are available, 2 from external interrupt sources and 4 from internal interrupt sources. Multiple interrupts are admitted according to their priority.

| Type | Interruptsource | Priority | Interrupt Latch | Interrupt Enable condition | ProgramROM entry address |
|----------|---|----------|-----------------|----------------------------|--------------------------|
| External | External interrupt($\overline{INT0}$) | 1 | IL5 | EI=1 | 002h |
| Internal | speech end interrupt (SPI) | 2 | IL4 | EI=1, MASK3=1 | 004h |
| Internal | TimerA overflow interrupt (TRGA) | 3 | IL3 | EI=1, MASK2=1 | 006h |
| Internal | TimerB overflow interrupt (TRGB) | 4 | IL2 | EI=1, MASK1=1 | 008h |
| Internal | Time base interrupt(TBI) | 5 | IL1 | | 00Ah |
| External | External interrupt($\overline{INT1}$) | 6 | IL0 | EI=1, MASK0=1 | 00Ch |

INTERRUPT STRUCTURE



Interrupt controller:

IL0-IL5 : Interrupt latch. Hold all interrupt requests from all interrupt sources. IL's can not be set by program, but can be reset by program or system reset, so IL can only decide which interrupt source can be accepted.

MASK0-MASK3 : Except $\overline{INT0}$, MASK register may permit or inhibit all interrupt sources.

Preliminary

EI : Enable interrupt Flip-Flop may permit or inhibit all interrupt sources, when interrupt occurs, EI is auto cleared to "0", after RTI instruction is executed, EI is auto set to "1" again.

Priority checker : Check interrupt priority when multiple interrupts occur.

INTERRUPT OPERATION

The procedure of interrupt operation :

1. Push PC and all flags to stack.
2. Set interrupt entry address into PC.
3. Set SF= 1.
4. Clear EI to inhibit other interrupts occur.
5. Clear the IL with which interrupt source has already been accepted.
6. Excute interrupt subroutine from the interrupt entry address.
7. CPU accept RTI, restore PC and flags from stack. Set EI to accept other interrupt requests.

PROGRAM EXAMPLE: To enable interrupt of "INT0, TRGA"

```
LDIA #0100B;
EXAE; set mask register "1100b"
EICIL 010111B ; enable interrupt F.F. and clear IL3 and IL5
```

LCD DRIVER

It can directly drive the liquid crystal display (LCD) and has 40 segments, 16 commons output pins. There are total 40x16 dots can be display. The V1~V5 are the LCD bias voltage input pins.

(1) LCD driver control command register:

Port27 3 2 1 0 Initial value: 0000

| LDC | * | * |
|---------------------|----------------------|---|
| LCD DISPLAY CONTROL | | |
| LDC | Function description | |
| 0 0 | LCD display disable | |
| 0 1 | Blanking | |
| 1 0 | no function | |
| 1 1 | LCD display enable | |

* : Don't care.

P27 is the LDC driver control command register. The initial value is 0000.

When LDC (bit2 and bit3 of P27) is set to "00", the LCD display is disabled.

When LDC is set to "01", the LCD is blanking, the COM pins are inactive and the SEG pins output the display data continuously.

When LDC is set to "11", the LCD display is enabled.

(2) LCD display data area:

The LCD display data is stored in the display data area of the data memory (RAM). The LCD display data area is as illustrated below :

Preliminary

The display data from the display data area are automatically read out and send to the LCD driver directly by the hardware. Therefore, the display patterns can be changed only by overwriting the contents of the display data area through software.

The display memory area that is not used to store the LCD display data could be used as the ordinary data memory.

LCD display data area :

Bank1

P9.3=1

| | 0 | 1 | 2 | 3 | 4 | 5 | 6 | 7 | 8 | 9 | A | B | C | D | E | F |
|----------|---|---|---|---|-------|---|---|---|---|---|---|---|---|---|---|---|
| 100-10Fh | | | | | COM0 | | | | | | | | | | | |
| 110-11Fh | | | | | COM1 | | | | | | | | | | | |
| 120-12Fh | | | | | COM2 | | | | | | | | | | | |
| 130-13Fh | | | | | COM3 | | | | | | | | | | | |
| 140-14Fh | | | | | COM4 | | | | | | | | | | | |
| 150-15Fh | | | | | COM5 | | | | | | | | | | | |
| 160-16Fh | | | | | COM6 | | | | | | | | | | | |
| 170-17Fh | | | | | COM7 | | | | | | | | | | | |
| 180-18Fh | | | | | COM8 | | | | | | | | | | | |
| 190-19Fh | | | | | COM9 | | | | | | | | | | | |
| 1A0-1AFh | | | | | COM10 | | | | | | | | | | | |
| 1B0-1BFh | | | | | COM11 | | | | | | | | | | | |
| 1C0-1CFh | | | | | COM12 | | | | | | | | | | | |
| 1D0-1DFh | | | | | COM13 | | | | | | | | | | | |
| 1E0-1EFh | | | | | COM14 | | | | | | | | | | | |
| 1F0-1FFh | | | | | COM15 | | | | | | | | | | | |

SEGI1 SEGI2 SEGI3 SEGI4 SEGI5 SEGI6 SEGI7 SEGI8 SEGI9 SEGI10 SEGI11 SEGI12 SEGI13 SEGI14 SEGI15 SEGI16 SEGI17 SEGI18 SEGI19 SEGI20 SEGI21 SEGI22 SEGI23 SEGI24 SEGI25 SEGI26 SEGI27 SEGI28 SEGI29 SEGI30 SEGI31 SEGI32 SEGI33 SEGI34 SEGI35 SEGI36 SEGI37 SEGI38 SEGI39

P26 is the start address register of LCD common pin.

Port26 3 2 1 0 Initial value: 0000



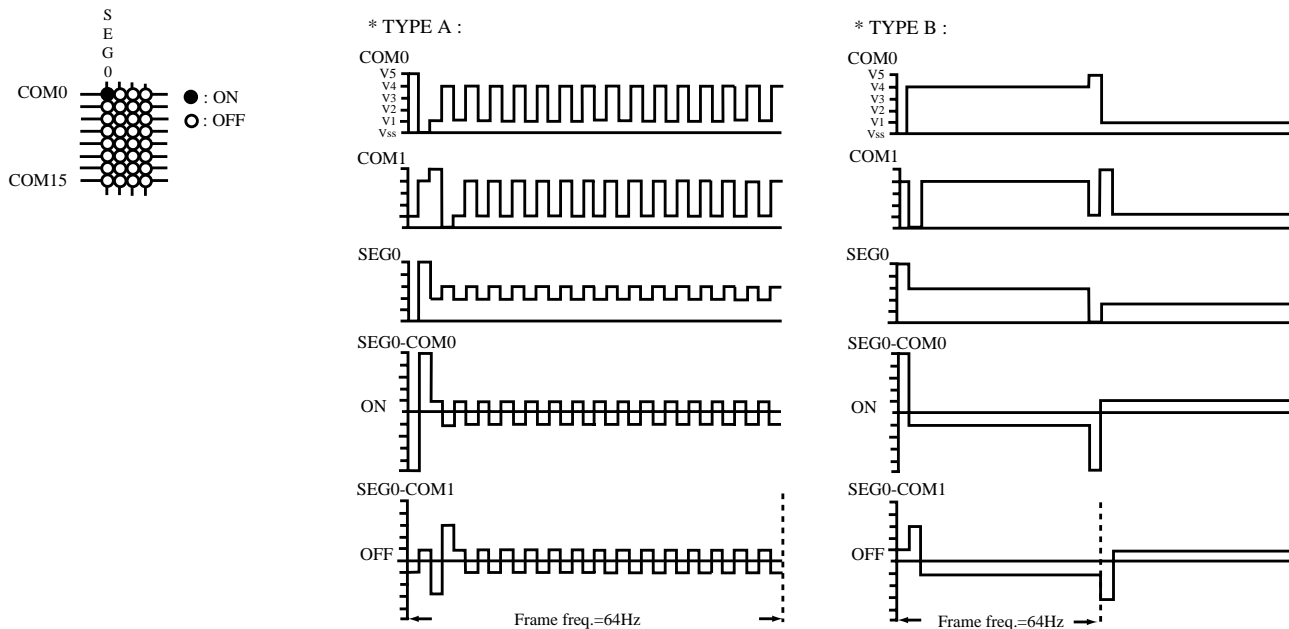
| CSA | Common start address register | | | | | | | | | | | | | | | |
|------|-------------------------------|----------|----------|----------|----------|----------|----------|----------|----------|----------|----------|----------|----------|----------|----------|----------|
| | RAM | | | | | | | | | | | | | | | |
| | 100-109h | 110-119h | 120-129h | 130-139h | 140-149h | 150-159h | 160-169h | 170-179h | 180-189h | 190-199h | 1A0-1A9h | 1B0-1B9h | 1C0-1C9h | 1D0-1D9h | 1E0-1E9h | 1F0-1F9h |
| 0000 | COM0 | COM1 | COM2 | COM3 | COM4 | COM5 | COM6 | COM7 | COM8 | COM9 | COM10 | COM11 | COM12 | COM13 | COM14 | COM15 |
| 0001 | COM15 | COM0 | COM1 | COM2 | COM3 | COM4 | COM5 | COM6 | COM7 | COM8 | COM9 | COM10 | COM11 | COM12 | COM13 | COM14 |
| 0010 | COM14 | COM15 | COM0 | COM1 | COM2 | COM3 | COM4 | COM5 | COM6 | COM7 | COM8 | COM9 | COM10 | COM11 | COM12 | COM13 |
| 0011 | COM13 | COM14 | COM15 | COM0 | COM1 | COM2 | COM3 | COM4 | COM5 | COM6 | COM7 | COM8 | COM9 | COM10 | COM11 | COM12 |
| 0100 | COM12 | COM13 | COM14 | COM15 | COM0 | COM1 | COM2 | COM3 | COM4 | COM5 | COM6 | COM7 | COM8 | COM9 | COM10 | COM11 |
| 0101 | COM11 | COM12 | COM13 | COM14 | COM15 | COM0 | COM1 | COM2 | COM3 | COM4 | COM5 | COM6 | COM7 | COM8 | COM9 | COM10 |
| 0110 | COM10 | COM11 | COM12 | COM13 | COM14 | COM15 | COM0 | COM1 | COM2 | COM3 | COM4 | COM5 | COM6 | COM7 | COM8 | COM9 |
| 0111 | COM9 | COM10 | COM11 | COM12 | COM13 | COM14 | COM15 | COM0 | COM1 | COM2 | COM3 | COM4 | COM5 | COM6 | COM7 | COM8 |
| 1000 | COM8 | COM9 | COM10 | COM11 | COM12 | COM13 | COM14 | COM15 | COM0 | COM1 | COM2 | COM3 | COM4 | COM5 | COM6 | COM7 |
| 1001 | COM7 | COM8 | COM9 | COM10 | COM11 | COM12 | COM13 | COM14 | COM15 | COM0 | COM1 | COM2 | COM3 | COM4 | COM5 | COM6 |
| 1010 | COM6 | COM7 | COM8 | COM9 | COM10 | COM11 | COM12 | COM13 | COM14 | COM15 | COM0 | COM1 | COM2 | COM3 | COM4 | COM5 |
| 1011 | COM5 | COM6 | COM7 | COM8 | COM9 | COM10 | COM11 | COM12 | COM13 | COM14 | COM15 | COM0 | COM1 | COM2 | COM3 | COM4 |
| 1100 | COM4 | COM5 | COM6 | COM7 | COM8 | COM9 | COM10 | COM11 | COM12 | COM13 | COM14 | COM15 | COM0 | COM1 | COM2 | COM3 |
| 1101 | COM3 | COM4 | COM5 | COM6 | COM7 | COM8 | COM9 | COM10 | COM11 | COM12 | COM13 | COM14 | COM15 | COM0 | COM1 | COM2 |
| 1110 | COM2 | COM3 | COM4 | COM5 | COM6 | COM7 | COM8 | COM9 | COM10 | COM11 | COM12 | COM13 | COM14 | COM15 | COM0 | COM1 |
| 1111 | COM1 | COM2 | COM3 | COM4 | COM5 | COM6 | COM7 | COM8 | COM9 | COM10 | COM11 | COM12 | COM13 | COM14 | COM15 | COM0 |

PROGRAM EXAMPLE:

```
LDIA    #0000B
OUTA    P26
LDIA    #1100B ; LCD display enable
OUTA    P27
LDIA    #1010B ; store 1010B to RAM[101h]
SEP     P9,3
STA     01H
```

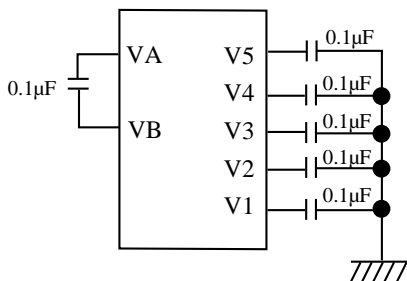
Preliminary

(3) LCD waveform : (1/5 bias)

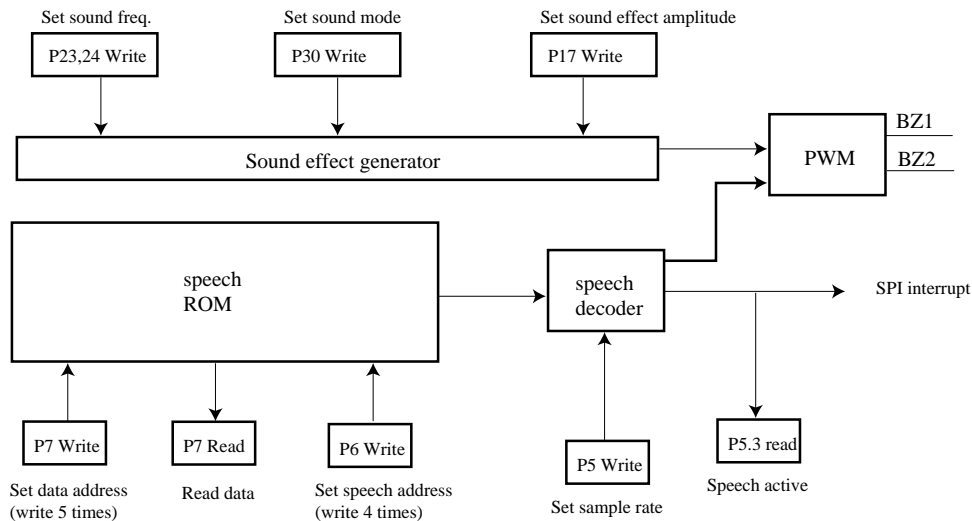


(4) LCD drive voltage :

- The LCD bias voltage is supplied by voltage multiplier. The application circuit is illustrated as below :



SPEECH SYNTHESIZER



Block diagram of speech and sound effect

Preliminary

EM73A83 speech synthesizer operates as following :

1. Send the speech start address to the address latch by writing P6 four times.
2. Choose the sampling rate, enable the speech synthesizer by writing P5.
3. The ROM address counters send the ROM address A6 .. A17 to the speech ROM.
4. ACT is the speech acknowledge signal. When the speech synthesizer has voice output. ACT is high . When ACT is changed from high to low, the speech synthesizer can generate the speech ending interrupt SPI. The ACT signal can be read from P5.3.

SPEECH SYNTHESIZER CONTROL

Speech sample rate control register (P5 write) :



| SR | Sample rate selection | Sample rate |
|-----|-----------------------|-------------|
| 000 | PWM on | CLK/64/1/3 |
| 001 | | CLK/64/1/4 |
| 010 | | CLK/64/2/3 |
| 011 | | CLK/64/2/4 |
| 100 | | CLK/64/3/3 |
| 101 | | CLK/64/3/4 |
| 111 | PWM off | |

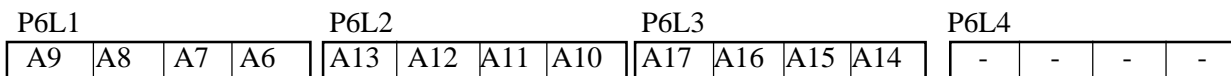
port 5 -- initialization is "*111".
port 6 -- initialization is pointed to the low-nibble of start address latch.
CLK=4.6 MHz

Speech active flag (P5 read) :



ACT is the speech acknowledge signal. When the speech synthesizer has voice output, ACT is high. When ACT is high → low, the speech synthesizer can generate the speech ending interrupt SPI.

Speech start address register (P6 write) :



Send the speech start address to the speech synthesizer by writing P6 four times. There is a pointer counter to point the address latch (P6L1, P6L2, P6L3, P6L4). It will increase one when write P6. So, the first time writing P6 to P6L1, the second time is P6L2, the third time is P6L3, the fourth time is P6L4 and the fifth time is P6L1 latch again, ... etc. The pointer counter point to P6L1 when CPU is reset or P5 is written. In the NORMAL operation mode, the speech synthesizer is available. In the other operation modes, it is disable.

Preliminary

PROGRAM EXAMPLE:

```

SP_ADR1 EQU 1234H ; the start address of the speech section
:
LDIA #SP_ADR1
OUTA P6
LDIA #SP_ADR1/10H
OUTA P6
LDIA #SP_ADR1/100H
OUTA P6
LDIA #SP_ADR1/1000H
OUTA P6
; set sample rate & start speech
LDIA #0010B
OUTA P5
; wait speech end
WAIT TTP P5,3 ; get speech active flag
B WAIT
    
```

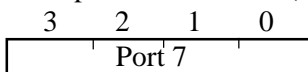
USING SPEECH ROM AS DATA ROM

The speech ROM can be used for speech synthesizer and for data ROM simultaneously.

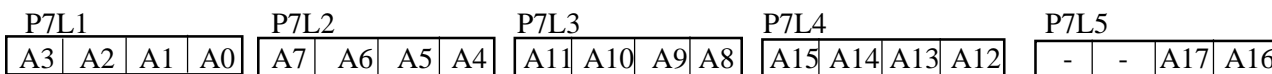
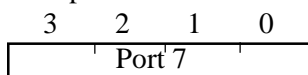
First, write initial address to P7 (five times), and after four cycles, you can read P7 to get data, and address counter increases one automatically. The following read operations must be at an interval of instruction cycles which are more than 3.

The read operation should be all done before you leave normal mode and change to slow mode.

Get speech ROM data (P7 read) :



Set speech ROM address (P7 write) :



PROGRAM EXAMPLE:

```

D_ADR1 EQU 12345H ; the start address of the speech ROM
:
LDIA #D_ADR1
OUTA P7
LDIA #D_ADR1/10H
OUTA P7
LDIA #D_ADR1/100H
OUTA P7
LDIA #D_ADR1/1000H
OUTA P7
LDIA #D_ADR1/10000H
OUTA P7
    
```



```

NOP
NOP
NOP
NOP
; READ DATA
INA          P7          ; read D_ADR1
STA          TEMP
NOP
INA          P7          ; read D_ADR1+1
    
```

Preliminary

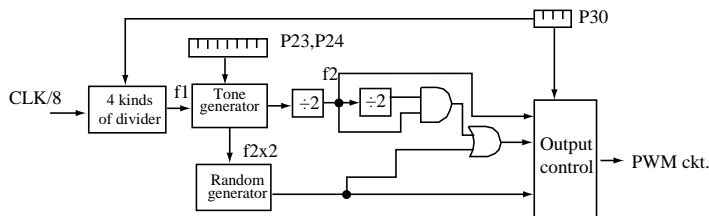
} 4 cycles

} 3 cycles

MELODY (SOUND EFFECT) CONTROL

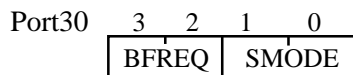
One channel melody/sound effect output, controlled by port 23, 24, 17, and 30.

There is a built-in sound effect. It includes the tone generator and random generator. The tone generator is a binary down counter and the random generator is a 9-bit liner feedback shift register.



Sound effect command register (P30)

There are 4 kinds of basic frequency for sound generator which can be selected by P30. The output of sound effect is tone and random combination.



Initial value : 0000

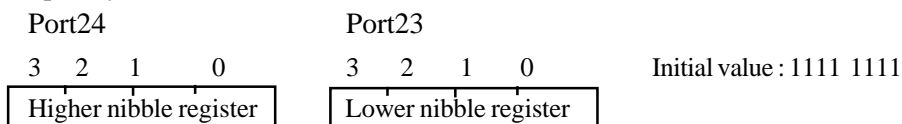
| BFREQ | Basic frequency (f1) select |
|-------|-----------------------------|
| 0 0 | CLK/16 |
| 0 1 | CLK/32 |
| 1 0 | CLK/64 |
| 1 1 | Reserved |

| SMODE | Sound generator mode |
|-------|----------------------|
| 0 0 | Disable |
| 0 1 | Tone output |
| 1 0 | Random output |
| 1 1 | Tone+random output |

(CLK=4.6MKz)

Tone frequency register (P23, P24)

The 8-bit tone frequency register is P24 and P23. The tone frequency will be changed when user output the different data to P23. Thus, the data must be output to P24 before P23 when users want to change the 8-bit tone frequency (TF).



** $f1 = CLK/2^x$, $f2 = f1 / (TF + 1) / 2$, $TF = 1 \sim 255$, $TF = 0$

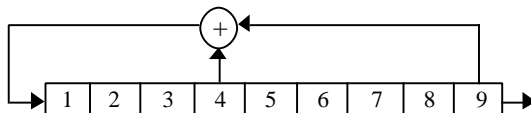
** Example : CLK=4.6 MHz, BFREQ=10, TF=00110001B.

⇒ $f1 = 71680$ Hz, $f2 = 71680Hz / 50 / 2 = 716.8$ Hz

Preliminary

Random generator

$$f(x) = x^9 + x^4 + 1$$



Volume control register (P17)

The are 16 levels of volume for sound generator. P17 is the volume control register.

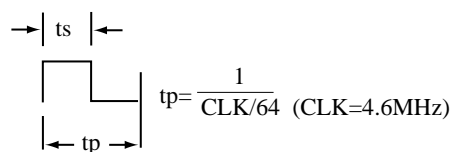
Port17

3 2 1 0

VCR

| VCR | | | | ts/tp |
|-----|---|---|---|-------|
| 1 | 1 | 1 | 1 | 15/16 |
| 1 | 1 | 1 | 0 | 14/16 |
| : | : | : | : | : |
| 0 | 0 | 0 | 1 | 1/16 |
| 0 | 0 | 0 | 0 | 0/16 |

Initial value : 1111



PROGRAM EXAMPLE:

```

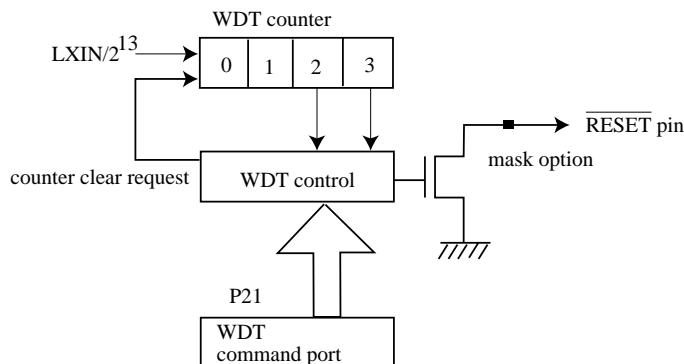
LDIA    #1001B           ; basic frequency : CLK/32, tone output
OUTA    P30
LDIA    #0111B           ; volume control
OUTA    P17
LDIA    #0011B           ; 1430 Hz tone output
OUTA    P24
LDIA    #0001B
OUTA    P23
    
```

WATCH-DOG-TIMER (WDT)

Watch-dog-timer can help user to detect the malfunction (runaway) of CPU and give system a timeup signal every certain time . User can use the time up signal to give system a reset signal when system is fail.

This function is available by mask option. If the mask option of WDT is enabled, it will stop counting when CPU is reseted or in the STOP operation mode.

The basic structure of Watch-Dog-Timer control is composed by a 4-stage binary counter and a control unit . The WDT counter counts for a certain time to check the CPU status, if there is no malfunction happened, the counter will be cleared and continue counting . Otherwise, if there is a malfunction happened, the WDT control will send a WDT signal (low active) to reset CPU. The WDT checking period is assign by P21 (WDT command port).



Preliminary

P21 is the control port of watch-dog-timer, and the WDT time up signal is connected to $\overline{\text{RESET}}$.

Port 21 3 2 1 0 Initial value :0000

| | | | |
|-----|---|---|-----|
| CWC | * | * | WDT |
|-----|---|---|-----|

| | |
|-----|--------------------------------|
| CWC | Clear watchdog timer counter |
| 0 | Clear counter then return to 1 |
| 1 | Nothing |

| | |
|-----|--|
| WDT | Set watch-dog-timer detect time |
| 0 | $3 \times 2^{13}/\text{LXIN} = 3 \times 2^{13}/32\text{K Hz} = 0.75 \text{ sec}$ |
| 1 | $7 \times 2^{13}/\text{LXIN} = 7 \times 2^{13}/32\text{K Hz} = 1.75 \text{ sec}$ |

PROGRAM EXAMPLE

To enable WDT with $7 \times 2^{13}/\text{LXIN}$ detection time.

```
LDIA #0001B
OUTA P21; set WDT detection time and clear WDT counter
:
:
```

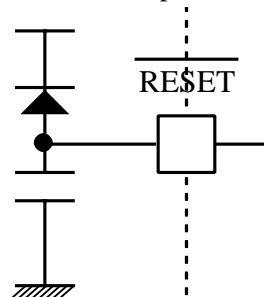
RESETTING FUNCTION

When CPU in normal working condition and $\overline{\text{RESET}}$ pin is held in low level for three instruction cycles at least, then CPU begins to initialize the whole internal states, when $\overline{\text{RESET}}$ pin changes to high level, CPU begins to work in normal condition.

The CPU internal state during reset condition is as following table :

| Hardware condition in RESET state | Initial value |
|---|-------------------|
| Program counter | 0000h |
| Status flag | 01h |
| Interrupt enable flip-flop (EI) | 00h |
| MASK0 ,1, 2, 3 | 00h |
| Interrupt latch (IL) | 00h |
| P3, 9, 14, 16, 19, 21, 22, 25, 26, 27, 28, 29, 30 | 00h |
| P5 | 07h |
| P0, 4, 6, 7, 8, 17, 23, 24 | 0Fh |
| CLK, LXIN | Start oscillation |

The $\overline{\text{RESET}}$ pin is a hysteresis input pin and it has a pull-up resistor available by mask option. The simplest RESET circuit is connect $\overline{\text{RESET}}$ pin with a capacitor to V_{SS} and a diode to V_{DD} .



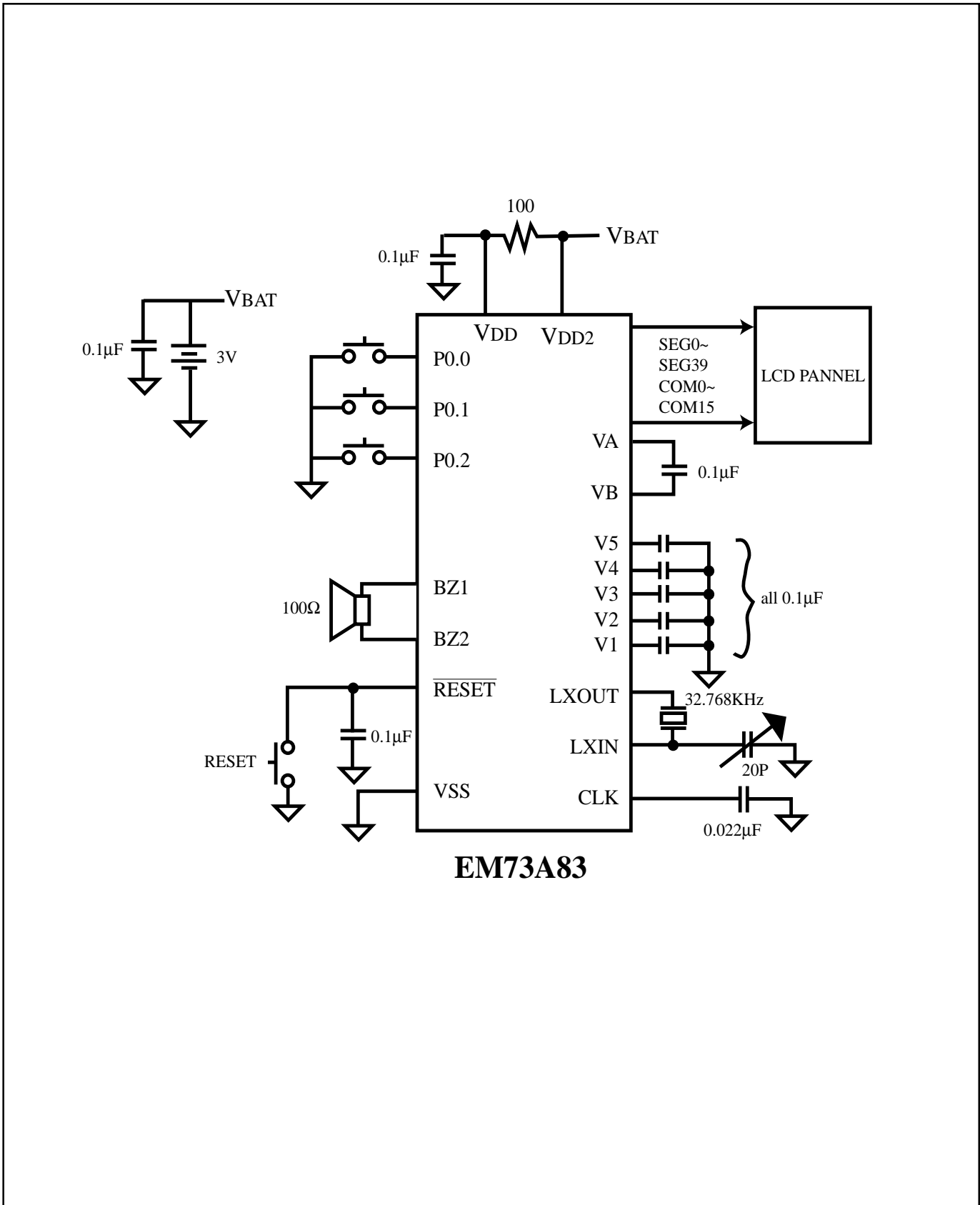
Preliminary

EM73A83 I/O PORT DESCRIPTION :

| Port | Input function | Output function | Note |
|------|---|--|-------------|
| 0 | E Input port , wakeup function | | |
| 1 | -- | -- | |
| 2 | -- | -- | |
| 3 | -- | I P3(1..0) : ROM bank selection | |
| 4 | E Input port | E Output port | |
| 5 | I P5.3 : Speech active signal (ACT) | I Speech sample rate register | |
| 6 | -- | I Speech start address register | |
| 7 | I DATA ROM data | I Data start address register | |
| 8 | E Input port, wakeup function, external interrupt input | E Output port | |
| 9 | -- | I P9.3 : RAM bank selection | |
| 10 | -- | -- | |
| 11 | -- | -- | |
| 12 | -- | -- | |
| 13 | -- | -- | |
| 14 | I CPU status register | -- | |
| 15 | -- | -- | |
| 16 | | I STOP mode control register | |
| 17 | | I Sound effect volume control register | |
| 18 | | -- | |
| 19 | | I IDLE mode control register | |
| 20 | | -- | |
| 21 | | I WDT control register | |
| 22 | | I DUAL/SLOW mode control register | |
| 23 | | I Sound effect frequency register | low nibble |
| 24 | | I Sound effect frequency register | high nibble |
| 25 | | I Timebase control register | |
| 26 | | I LCD common start address register | |
| 27 | | I LCD control register | |
| 28 | | I Timer/counter A control register | |
| 29 | | I Timer/counter B control register | |
| 30 | | I Sound effect command register | |
| 31 | | -- | |

Preliminary

APPLICATION CIRCUIT



Preliminary

ABSOLUTE MAXIMUM RATINGS

| Items | Sym. | Ratings | Conditions |
|-----------------------|-----------|------------------------|-----------------------|
| Supply Voltage | V_{DD} | -0.5V to 6V | |
| Input Voltage | V_{IN} | -0.5V to $V_{DD}+0.5V$ | |
| Output Voltage | V_O | -0.5V to $V_{DD}+0.5V$ | |
| Power Dissipation | P_D | 300mW | $T_{OPR}=50^{\circ}C$ |
| Operating Temperature | T_{OPR} | 0°C to 50°C | |
| Storage Temperature | T_{STG} | -55°C to 125°C | |

RECOMMENDED OPERATING CONDITIONS

| Items | Sym. | Ratings | Condition |
|---------------------|----------|----------------------------------|------------|
| Supply Voltage | V_{DD} | 2.2V to 4.8V | |
| Input Voltage | V_{IH} | $0.90 \times V_{DD}$ to V_{DD} | |
| | V_{IL} | 0V to $0.10 \times V_{DD}$ | |
| Operating Frequency | F_C | 4.6MHz | CLK |
| | F_s | 32KHz | LXIN,LXOUT |

DC ELECTRICAL CHARACTERISTICS ($V_{DD}=3\pm 0.3V$, $V_{SS}=0V$, $T_{OPR}=25^{\circ}C$)

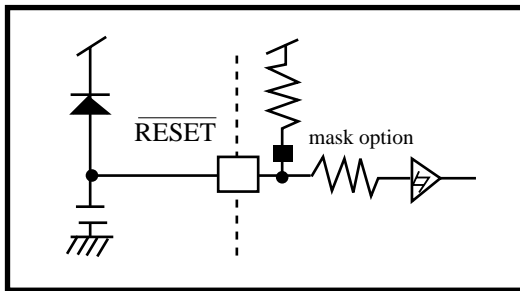
| Parameters | Sym. | Min. | Typ. | Max. | Unit | Conditions |
|----------------------------|------------|--------------|------|--------------|------------|--|
| Supply current | I_{DD} | - | 0.5 | 1.2 | mA | $V_{DD}=3.3V$, no load, NORMAL mode, $F_s=32KHz$, $F_c=4.6MHz$ |
| | | - | 25 | 38 | μA | $V_{DD}=3.3V$, no load, SLOW mode, $F_s=32KHz$, LCD on |
| | | - | 7 | 12 | μA | $V_{DD}=3.3V$, IDLE mode, LCD off |
| | | - | 0.1 | 1 | μA | $V_{DD}=3.3V$, STOP mode |
| Hysteresis voltage | V_{HYS+} | $0.50V_{DD}$ | - | $0.75V_{DD}$ | V | RESET, P0, P8 |
| | V_{HYS-} | $0.20V_{DD}$ | - | $0.40V_{DD}$ | V | |
| Input current | I_{IH} | - | - | ± 1 | μA | P0, RESET, $V_{DD}=3.3V$, $V_{IH}=3.3/0V$ |
| | | - | - | ± 1 | μA | Open-drain, $V_{DD}=3.3V$, $V_{IH}=3.3/0V$ |
| | I_{IL} | - | -250 | -500 | μA | Push-pull, $V_{DD}=3.3V$, $V_{IL}=0.4V$, except P4 |
| Output voltage | V_{OH} | 2.4 | - | - | V | Push-pull, P4(high current PMOS), SOUND, $V_{DD}=2.7V$, $I_{OH}=-0.9mA$ |
| | | 2.0 | 2.4 | - | V | Push-pull, P4(low current PMOS), P8, $V_{DD}=2.7V$, $I_{OH}=-40\mu A$ |
| | V_{OL} | - | 0.15 | 0.3 | V | $V_{DD}=2.7V$, $I_{OL}=0.9mA$, P4, P8 |
| Leakage current | I_{LO} | - | - | 1 | μA | Open-drain, $V_{DD}=3.3V$, $V_O=3.3V$ |
| Input resistor | R_{IN} | 100 | 200 | 300 | K Ω | P0 |
| | | 150 | 300 | 450 | K Ω | RESET |
| Output current of BZ1, BZ2 | I_{OH} | 30 | - | - | mA | $V_{DD}=3V$, $V_{BZ}=1.5V$ |
| | I_{OL} | 30 | - | - | mA | |
| LCD bias voltage | V_1 | - | 0.9 | - | V | VDD=3V, LCD on load |
| | V_2 | - | 1.8 | - | V | |
| | V_3 | - | 2.7 | - | V | |
| | V_4 | - | 3.6 | - | V | |
| | V_5 | - | 4.5 | - | V | |

* This specification are subject to be changed without notice.

Preliminary

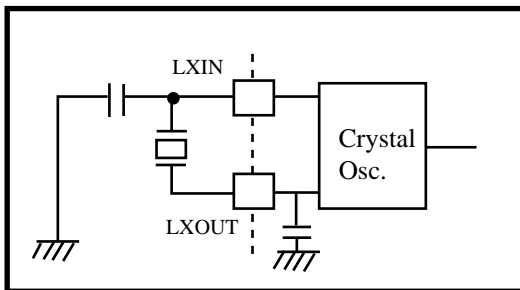
RESET PIN TYPE

TYPE RESET-A

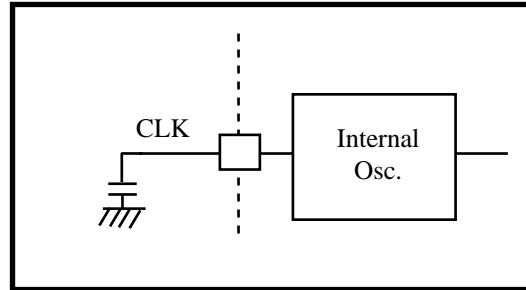


OSCILLATION PIN TYPE

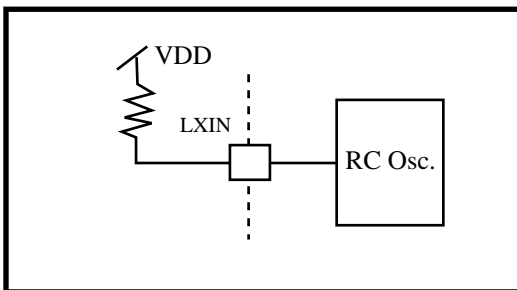
TYPE OSC-B



TYPE OSC-G

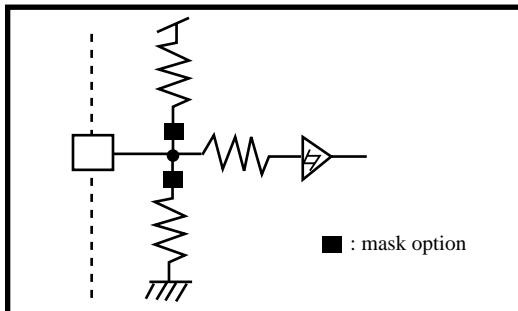


TYPE OSC-H

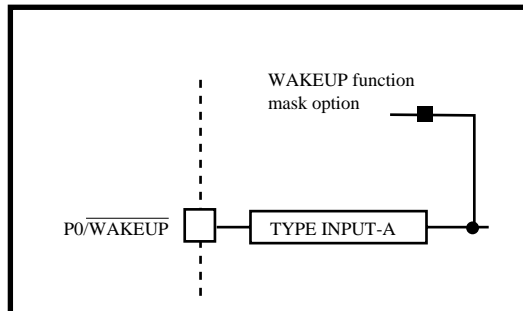


INPUT PIN TYPE

TYPE INPUT-A



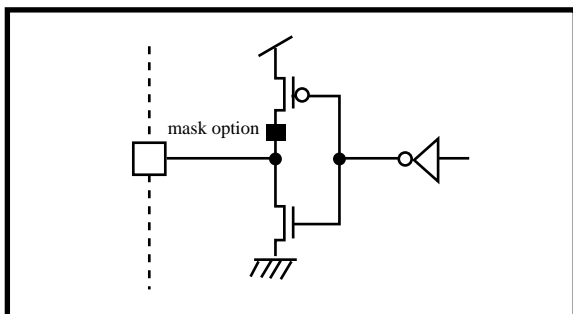
TYPE INPUT-B



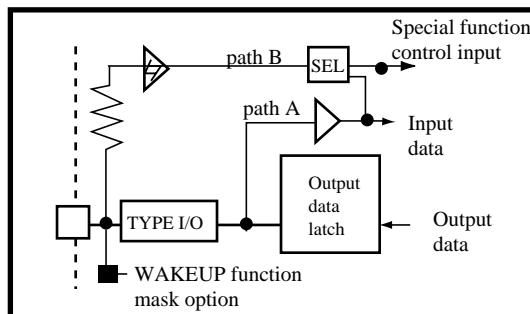
Preliminary

I/O PIN TYPE

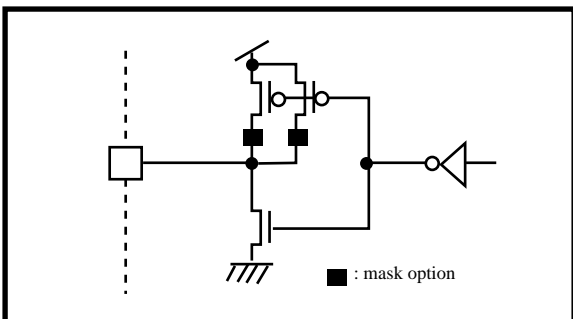
TYPE I/O



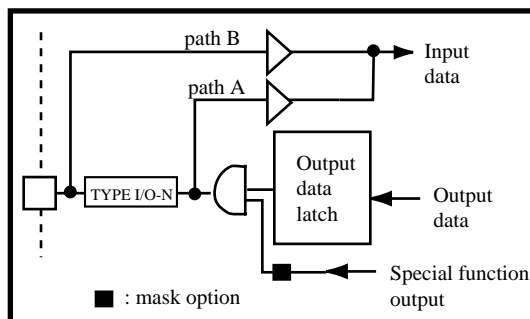
TYPE I/O-L



TYPE I/O-N



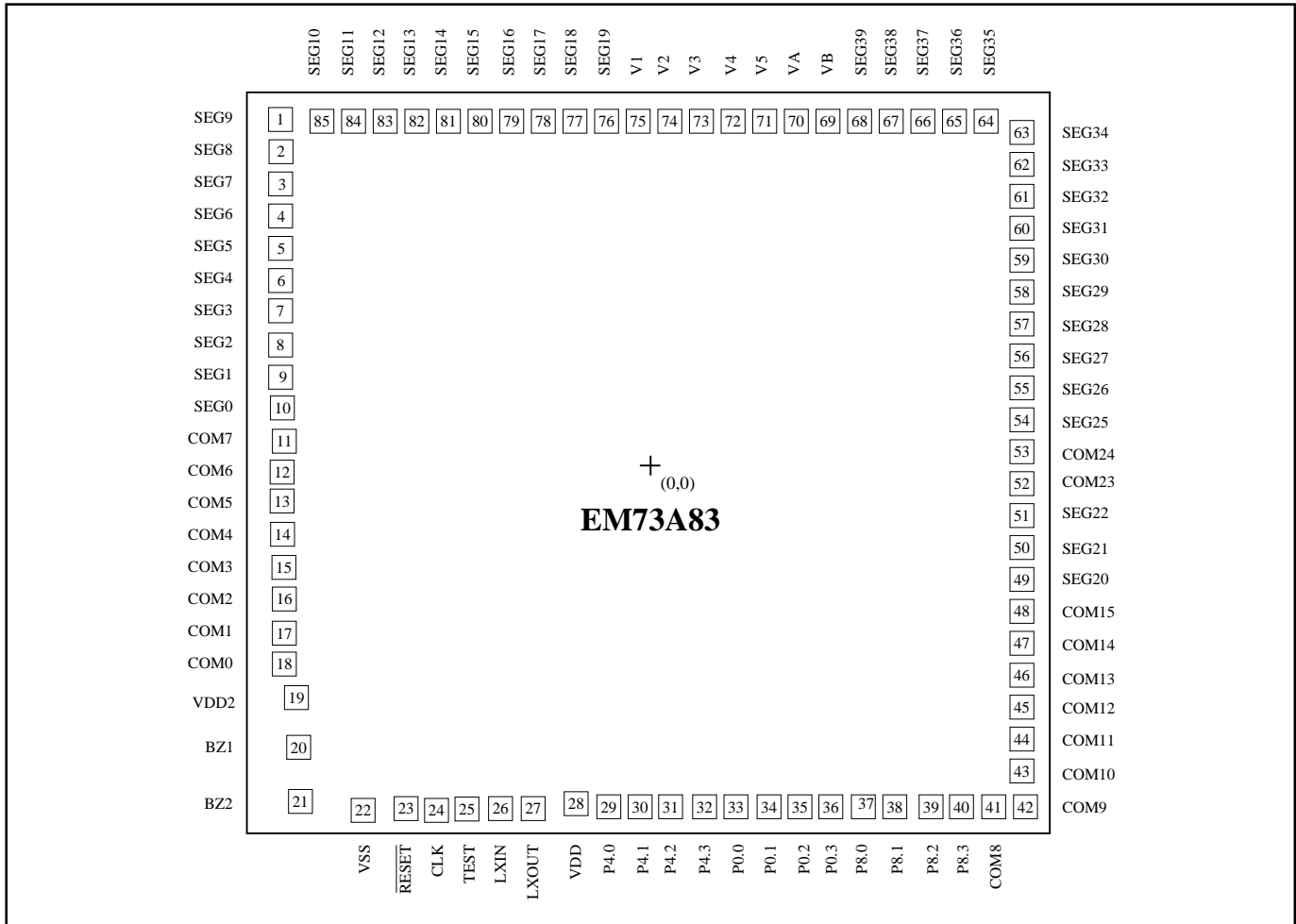
TYPE I/O-O



- Path A : For set and clear bit of port instructions, data goes through path A from output data latch to CPU.
- Path B : For input and test instructions, data from output pin go through path B to CPU and the output data latch will be set to high.

Preliminary

PAD DIAGRAM



| Pad No. | Symbol | X | Y |
|---------|--------|---------|--------|
| 1 | SEG9 | -1400.8 | 1312.0 |
| 2 | SEG8 | -1400.8 | 1191.4 |
| 3 | SEG7 | -1400.8 | 1070.9 |
| 4 | SEG6 | -1400.8 | 950.4 |
| 5 | SEG5 | -1400.8 | 829.8 |
| 6 | SEG4 | -1400.8 | 709.3 |
| 7 | SEG3 | -1400.8 | 588.7 |
| 8 | SEG2 | -1400.8 | 468.2 |
| 9 | SEG1 | -1400.8 | 347.7 |
| 10 | SEG0 | -1400.8 | 227.1 |
| 11 | COM7 | -1400.8 | 106.6 |
| 12 | COM6 | -1400.8 | -14.0 |
| 13 | COM5 | -1400.8 | -134.5 |
| 14 | COM4 | -1400.8 | -255.0 |
| 15 | COM3 | -1400.8 | -375.6 |
| 16 | COM2 | -1400.8 | -496.1 |

* This specification are subject to be changed without notice.

**Preliminary**

| Pad No. | Symbol | X | Y |
|---------|--------|---------|---------|
| 17 | COM1 | -1400.8 | -616.7 |
| 18 | COM0 | -1400.8 | -737.2 |
| 19 | VDD2 | -1360.4 | -859.4 |
| 20 | BZ1 | -1354.9 | -1052.0 |
| 21 | BZ2 | -1354.9 | -1266.7 |
| 22 | VSS | -1111.5 | -1290.1 |
| 23 | RESET | -948.7 | -1290.1 |
| 24 | CLK | -828.1 | -1290.1 |
| 25 | TEST | -707.6 | -1290.1 |
| 26 | LXIN | -580.4 | -1290.1 |
| 27 | LXOUT | -459.9 | -1290.1 |
| 28 | VDD | -298.6 | -1275.5 |
| 29 | P4.0 | -170.6 | -1290.1 |
| 30 | P4.1 | -48.5 | -1290.1 |
| 31 | P4.2 | 73.6 | -1290.1 |
| 32 | P4.3 | 195.8 | -1290.1 |
| 33 | P0.0 | 317.9 | -1290.1 |
| 34 | P0.1 | 440.1 | -1290.1 |
| 35 | P0.2 | 562.2 | -1290.1 |
| 36 | P0.3 | 684.3 | -1290.1 |
| 37 | P8.0 | 806.5 | -1290.1 |
| 38 | P8.1 | 928.6 | -1290.1 |
| 39 | P8.2 | 1050.7 | -1290.1 |
| 40 | P8.3 | 1172.9 | -1290.1 |
| 41 | COM8 | 1293.4 | -1295.0 |
| 42 | COM9 | 1414.0 | -1295.0 |
| 43 | COM10 | 1405.0 | -1158.0 |
| 44 | COM11 | 1405.0 | -1037.5 |
| 45 | COM12 | 1405.0 | -917.0 |
| 46 | COM13 | 1405.0 | -796.4 |
| 47 | COM14 | 1405.0 | -675.9 |
| 48 | COM15 | 1405.0 | -555.3 |
| 49 | SEG20 | 1405.0 | -434.8 |
| 50 | SEG21 | 1405.0 | -314.3 |
| 51 | SEG22 | 1405.0 | -193.7 |
| 52 | SEG23 | 1405.0 | -73.2 |
| 53 | SEG24 | 1405.0 | 47.4 |
| 54 | SEG25 | 1405.0 | 167.9 |
| 55 | SEG26 | 1405.0 | 288.4 |
| 56 | SEG27 | 1405.0 | 409.0 |
| 57 | SEG28 | 1405.0 | 529.5 |
| 58 | SEG29 | 1405.0 | 650.1 |
| 59 | SEG30 | 1405.0 | 770.6 |



Preliminary

| Pad No. | Symbol | X | Y |
|---------|--------|---------|--------|
| 60 | SEG31 | 1405.0 | 891.1 |
| 61 | SEG32 | 1405.0 | 1011.7 |
| 62 | SEG33 | 1405.0 | 1132.2 |
| 63 | SEG34 | 1405.0 | 1252.8 |
| 64 | SEG35 | 1283.2 | 1289.5 |
| 65 | SEG36 | 1162.7 | 1289.5 |
| 66 | SEG37 | 1042.2 | 1289.5 |
| 67 | SEG38 | 921.6 | 1289.5 |
| 68 | SEG39 | 801.1 | 1289.5 |
| 69 | VB | 680.5 | 1289.5 |
| 70 | VA | 560.0 | 1289.5 |
| 71 | V5 | 439.5 | 1289.5 |
| 72 | V4 | 318.9 | 1289.5 |
| 73 | V3 | 198.4 | 1289.5 |
| 74 | V2 | 77.8 | 1289.5 |
| 75 | V1 | -42.7 | 1289.5 |
| 76 | SEG19 | -163.2 | 1289.5 |
| 77 | SEG18 | -283.8 | 1289.5 |
| 78 | SEG17 | -404.3 | 1289.5 |
| 79 | SEG16 | -524.9 | 1289.5 |
| 80 | SEG15 | -645.4 | 1289.5 |
| 81 | SEG14 | -765.9 | 1289.5 |
| 82 | SEG13 | -886.5 | 1289.5 |
| 83 | SEG12 | -1007.0 | 1289.5 |
| 84 | SEG11 | -1127.6 | 1289.5 |
| 85 | SEG10 | -1248.1 | 1289.5 |

Unit : μm

Chip Size : 3150 x 2930 μm

Note : For PCB layout, IC substrate must be floated or connected to V_{SS} .

Preliminary

INSTRUCTION TABLE

(1) Data Transfer

| Mnemonic | Object code (binary) | Operation description | Byte | Cycle | Flag | | |
|----------|------------------------|--------------------------------|------|-------|------|---|----|
| | | | | | C | Z | S |
| LDA x | 0110 1010 xxxx xxxx | Acc←RAM[x] | 2 | 2 | - | Z | 1 |
| LDAM | 0101 1010 | Acc←RAM[HL] | 1 | 1 | - | Z | 1 |
| LDAX | 0110 0101 | Acc←ROM[DP] _L | 1 | 2 | - | Z | 1 |
| LDAXI | 0110 0111 | Acc←ROM[DP] _H ,DP+1 | 1 | 2 | - | Z | 1 |
| LDH #k | 1001 kkkk | HR←k | 1 | 1 | - | - | 1 |
| LDHL x | 0100 1110 xxxx xx00 | LR←RAM[x],HR←RAM[x+1] | 2 | 2 | - | - | 1 |
| LDIA #k | 1101 kkkk | Acc←k | 1 | 1 | - | Z | 1 |
| LDL #k | 1000 kkkk | LR←k | 1 | 1 | - | - | 1 |
| STA x | 0110 1001 xxxx xxxx | RAM[x]←Acc | 2 | 2 | - | - | 1 |
| STAM | 0101 1001 | RAM[HL]←Acc | 1 | 1 | - | - | 1 |
| STAMD | 0111 1101 | RAM[HL]←Acc, LR-1 | 1 | 1 | - | Z | C |
| STAMI | 0111 1111 | RAM[HL]←Acc, LR+1 | 1 | 1 | - | Z | C' |
| STD #k,y | 0100 1000 kkkk yyyy | RAM[y]←k | 2 | 2 | - | - | 1 |
| STDMI #k | 1010 kkkk | RAM[HL]←k, LR+1 | 1 | 1 | - | Z | C' |
| THA | 0111 0110 | Acc←HR | 1 | 1 | - | Z | 1 |
| TLA | 0111 0100 | Acc←LR | 1 | 1 | - | Z | 1 |

(2) Rotate

| Mnemonic | Object code (binary) | Operation description | Byte | Cycle | Flag | | |
|----------|------------------------|-----------------------|------|-------|------|---|----|
| | | | | | C | Z | S |
| RLCA | 0101 0000 | ←CF←Acc← | 1 | 1 | C | Z | C' |
| RRCA | 0101 0001 | →CF→Acc→ | 1 | 1 | C | Z | C' |

(3) Arithmetic operation

| Mnemonic | Object code (binary) | Operation description | Byte | Cycle | Flag | | |
|----------|------------------------|------------------------|------|-------|------|---|----|
| | | | | | C | Z | S |
| ADCAM | 0111 0000 | Acc←Acc + RAM[HL] + CF | 1 | 1 | C | Z | C' |
| ADD #k,y | 0100 1001 kkkk yyyy | RAM[y]←RAM[y] +k | 2 | 2 | - | Z | C' |
| ADDA #k | 0110 1110 0101 kkkk | Acc←Acc+k | 2 | 2 | - | Z | C' |
| ADDAM | 0111 0001 | Acc←Acc + RAM[HL] | 1 | 1 | - | Z | C' |
| ADDH #k | 0110 1110 1001 kkkk | HR←HR+k | 2 | 2 | - | Z | C' |
| ADDL #k | 0110 1110 0001 kkkk | LR←LR+k | 2 | 2 | - | Z | C' |
| ADDM #k | 0110 1110 1101 kkkk | RAM[HL]←RAM[HL] +k | 2 | 2 | - | Z | C' |
| DECA | 0101 1100 | Acc←Acc-1 | 1 | 1 | - | Z | C |
| DECL | 0111 1100 | LR←LR-1 | 1 | 1 | - | Z | C |
| DECM | 0101 1101 | RAM[HL]←RAM[HL] -1 | 1 | 1 | - | Z | C |
| INCA | 0101 1110 | Acc←Acc + 1 | 1 | 1 | - | Z | C' |

Preliminary

| | | | | | | | |
|---------|---------------------|-------------------------|---|---|---|---|----|
| INCL | 0111 1110 | LR←LR + 1 | 1 | 1 | - | Z | C' |
| INCM | 0101 1111 | RAM[HL]←RAM[HL]+1 | 1 | 1 | - | Z | C' |
| SUBA #k | 0110 1110 0111 kkkk | Acc←k-Acc | 2 | 2 | - | Z | C |
| SBCAM | 0111 0010 | Acc←RAM[HL] - Acc - CF' | 1 | 1 | C | Z | C |
| SUBM #k | 0110 1110 1111 kkkk | RAM[HL]←k - RAM[HL] | 2 | 2 | - | Z | C |

(4) Logical operation

| Mnemonic | Object code (binary) | Operation description | Byte | Cycle | Flag | | |
|----------|------------------------|-----------------------|------|-------|------|---|----|
| | | | | | C | Z | S |
| ANDA #k | 0110 1110 0110 kkkk | Acc←Acc&k | 2 | 2 | - | Z | Z' |
| ANDAM | 0111 1011 | Acc←Acc & RAM[HL] | 1 | 1 | - | Z | Z' |
| ANDM #k | 0110 1110 1110 kkkk | RAM[HL]←RAM[HL]&k | 2 | 2 | - | Z | Z' |
| ORA #k | 0110 1110 0100 kkkk | Acc←Acc k | 2 | 2 | - | Z | Z' |
| ORAM | 0111 1000 | Acc ←Acc RAM[HL] | 1 | 1 | - | Z | Z' |
| ORM #k | 0110 1110 1100 kkkk | RAM[HL]←RAM[HL] k | 2 | 2 | - | Z | Z' |
| XORAM | 0111 1001 | Acc←Acc^RAM[HL] | 1 | 1 | - | Z | Z' |

(5) Exchange

| Mnemonic | Object code (binary) | Operation description | Byte | Cycle | Flag | | |
|----------|------------------------|---------------------------|------|-------|------|---|---|
| | | | | | C | Z | S |
| EXA x | 0110 1000 xxxx xxxx | Acc↔RAM[x] | 2 | 2 | - | Z | 1 |
| EXAH | 0110 0110 | Acc↔HR | 1 | 2 | - | Z | 1 |
| EXAL | 0110 0100 | Acc↔LR | 1 | 2 | - | Z | 1 |
| EXAM | 0101 1000 | Acc↔RAM[HL] | 1 | 1 | - | Z | 1 |
| EXHL x | 0100 1100 xxxx xx00 | LR↔RAM[x], HR↔RAM[x+1] | 2 | 2 | - | - | 1 |

(6) Branch

| Mnemonic | Object code (binary) | Operation description | Byte | Cycle | Flag | | |
|----------|--|---|------|-------|------|---|---|
| | | | | | C | Z | S |
| SBR a | 00aa aaaa | If SF=1 then PC←PC ₁₂₋₆ .a ₅₋₀ else null | 1 | 1 | - | - | 1 |
| LBR a | 1100 aaaa aaaa aaaa | If SF= 1 then PC←a else null | 2 | 2 | - | - | 1 |
| SLBR a | 0101 0101 1100 aaaa aaaa aaaa (a:1000~1FFFh) 0101 0111 1100 aaaa aaaa aaaa (a:0000~0FFFh) | If SF=1 then PC←a else null | 3 | 3 | - | - | 1 |

(7) Compare

| Mnemonic | Object code (binary) | Operation description | Byte | Cycle | Flag | | |
|----------|------------------------|-----------------------|------|-------|------|---|----|
| | | | | | C | Z | S |
| CMP #k,y | 0100 1011 kkkk yyyy | k-RAM[y] | 2 | 2 | C | Z | Z' |
| CMPA x | 0110 1011 xxxx xxxx | RAM[x]-Acc | 2 | 2 | C | Z | Z' |

Preliminary

| Mnemonic | Object code (binary) | Operation description | Byte | Cycle | Flag | | |
|----------|------------------------|----------------------------|------|-------|------|---|----|
| | | | | | C | Z | S |
| CMPAM | 0111 0011 | RAM[HL] _b - Acc | 1 | 1 | C | Z | Z' |
| CMPH #k | 0110 1110 1011 kkkk | k - HR | 2 | 2 | - | Z | C |
| CMPIA #k | 1011 kkkk | k - Acc | 1 | 1 | C | Z | Z' |
| CMPL #k | 0110 1110 0011 kkkk | k-LR | 2 | 2 | - | Z | C |

(8) Bit manipulation

| Mnemonic | Object code (binary) | Operation description | Byte | Cycle | Flag | | |
|----------|------------------------|--|------|-------|------|---|---|
| | | | | | C | Z | S |
| CLM b | 1111 00bb | RAM[HL] _b ← 0 | 1 | 1 | - | - | 1 |
| CLP p,b | 0110 1101 11bb pppp | PORT[p] _b ← 0 | 2 | 2 | - | - | 1 |
| CLPL | 0110 0000 | PORT[LR ₃₋₂ +4]LR ₁₋₀ ← 0 | 1 | 2 | - | - | 1 |
| CLR y,b | 0110 1100 11bb yyyy | RAM[y] _b ← 0 | 2 | 2 | - | - | 1 |
| SEM b | 1111 01bb | RAM[HL] _b ← 1 | 1 | 1 | - | - | 1 |
| SEP p,b | 0110 1101 01bb pppp | PORT[p] _b ← 1 | 2 | 2 | - | - | 1 |
| SEPL | 0110 0010 | PORT[LR ₃₋₂ +4]LR ₁₋₀ ← 1 | 1 | 2 | - | - | 1 |
| SET y,b | 0110 1100 01bb yyyy | RAM[y] _b ← 1 | 2 | 2 | - | - | 1 |
| TF y,b | 0110 1100 00bb yyyy | SF ← RAM[y] _b ' | 2 | 2 | - | - | * |
| TFA b | 1111 10bb | SF ← Acc _b ' | 1 | 1 | - | - | * |
| TFM b | 1111 11bb | SF ← RAM[HL] _b ' | 1 | 1 | - | - | * |
| TFP p,b | 0110 1101 00bb pppp | SF ← PORT[p] _b ' | 2 | 2 | - | - | * |
| TFPL | 0110 0001 | SF ← PORT[LR ₃₋₂ +4]LR ₁₋₀ ' | 1 | 2 | - | - | * |
| TT y,b | 0110 1100 10bb yyyy | SF ← RAM[y] _b | 2 | 2 | - | - | * |
| TTP p,b | 0110 1101 10bb pppp | SF ← PORT[p] _b | 2 | 2 | - | - | * |

(9) Subroutine

| Mnemonic | Object code (binary) | Operation description | Byte | Cycle | Flag | | |
|----------|------------------------|---|------|-------|------|---|---|
| | | | | | C | Z | S |
| LDCALL a | 0100 0aaa aaaa aaaa | STACK[SP] ← PC, SP ← SP - 1, PC ← a | 2 | 2 | - | - | - |
| SCALL a | 1110 nnnn | STACK[SP] ← PC, SP ← SP - 1, PC ← a, a = 8n + 6 (n = 1~15), 0086h (n = 0) | 1 | 2 | - | - | - |
| RET | 0100 1111 | SP ← SP + 1, PC ← STACK[SP] | 1 | 2 | - | - | - |

(10) Input/output

| Mnemonic | Object code (binary) | Operation description | Byte | Cycle | Flag | | |
|----------|------------------------|-----------------------|------|-------|------|---|----|
| | | | | | C | Z | S |
| INA p | 0110 1111 0100 pppp | Acc ← PORT[p] | 2 | 2 | - | Z | Z' |
| INM p | 0110 1111 1100 pppp | RAM[HL] ← PORT[p] | 2 | 2 | - | - | Z' |
| OUT #k,p | 0100 1010 kkkk pppp | PORT[p] ← k | 2 | 2 | - | - | 1 |
| OUTA p | 0110 1111 000p pppp | PORT[p] ← Acc | 2 | 2 | - | - | 1 |
| OUTM p | 0110 1111 100p pppp | PORT[p] ← RAM[HL] | 2 | 2 | - | - | 1 |

Preliminary

(11) Flag manipulation

| Mnemonic | Object code (binary) | Operation description | Byte | Cycle | Flag | | |
|----------|------------------------|-----------------------|------|-------|------|---|---|
| | | | | | C | Z | S |
| TFCFC | 0101 0011 | SF←CF', CF←0 | 1 | 1 | 0 | - | * |
| TTCFS | 0101 0010 | SF←CF, CF←1 | 1 | 1 | 1 | - | * |
| TZS | 0101 1011 | SF←ZF | 1 | 1 | - | - | * |

(12) Interrupt control

| Mnemonic | Object code (binary) | Operation description | Byte | Cycle | Flag | | |
|----------|------------------------|--|------|-------|------|---|---|
| | | | | | C | Z | S |
| CIL r | 0110 0011 11rr rrrr | IL←IL & r | 2 | 2 | - | - | 1 |
| DICIL r | 0110 0011 10rr rrrr | EIF←0, IL←IL&r | 2 | 2 | - | - | 1 |
| EICIL r | 0110 0011 01rr rrrr | EIF←1, IL←IL&r | 2 | 2 | - | - | 1 |
| EXAE | 0111 0101 | MASK↔Acc | 1 | 1 | - | - | 1 |
| RTI | 0100 1101 | SP←SP+1, FLAG.PC ←STACK[SP], EIF ←1 | 1 | 2 | * | * | * |

(13) CPU control

| Mnemonic | Object code (binary) | Operation description | Byte | Cycle | Flag | | |
|----------|------------------------|-----------------------|------|-------|------|---|---|
| | | | | | C | Z | S |
| NOP | 0101 0110 | no operation | 1 | 1 | - | - | - |

(14) Timer/Counter & Data pointer & Stack pointer control

| Mnemonic | Object code (binary) | Operation description | Byte | Cycle | Flag | | |
|----------|------------------------|------------------------|------|-------|------|---|---|
| | | | | | C | Z | S |
| LDADPL | 0110 1010 1111 1100 | Acc←[DP] _L | 2 | 2 | - | Z | 1 |
| LDADPM | 0110 1010 1111 1101 | Acc←[DP] _M | 2 | 2 | - | Z | 1 |
| LDADPH | 0110 1010 1111 1110 | Acc←[DP] _H | 2 | 2 | - | Z | 1 |
| LDASP | 0110 1010 1111 1111 | Acc←SP | 2 | 2 | - | Z | 1 |
| LDATAL | 0110 1010 1111 0100 | Acc←[TA] _L | 2 | 2 | - | Z | 1 |
| LDATAM | 0110 1010 1111 0101 | Acc←[TA] _M | 2 | 2 | - | Z | 1 |
| LDATAH | 0110 1010 1111 0110 | Acc←[TA] _H | 2 | 2 | - | Z | 1 |
| LDATBL | 0110 1010 1111 1000 | Acc←[TB] _L | 2 | 2 | - | Z | 1 |
| LDATBM | 0110 1010 1111 1001 | Acc←[TB] _M | 2 | 2 | - | Z | 1 |
| LDATBH | 0110 1010 1111 1010 | Acc←[TB] _H | 2 | 2 | - | Z | 1 |
| STADPL | 0110 1001 1111 1100 | [DP] _L ←Acc | 2 | 2 | - | - | 1 |
| STADPM | 0110 1001 1111 1101 | [DP] _M ←Acc | 2 | 2 | - | - | 1 |
| STADPH | 0110 1001 1111 1110 | [DP] _H ←Acc | 2 | 2 | - | - | 1 |
| STASP | 0110 1001 1111 1111 | SP←Acc | 2 | 2 | - | - | 1 |
| STATAL | 0110 1001 1111 0100 | [TA] _L ←Acc | 2 | 2 | - | - | 1 |
| STATAM | 0110 1001 1111 0101 | [TA] _M ←Acc | 2 | 2 | - | - | 1 |
| STATAH | 0110 1001 1111 0110 | [TA] _H ←Acc | 2 | 2 | - | - | 1 |
| STATBL | 0110 1001 1111 1000 | [TB] _L ←Acc | 2 | 2 | - | - | 1 |
| STATBM | 0110 1001 1111 1001 | [TB] _M ←Acc | 2 | 2 | - | - | 1 |
| STATBH | 0110 1001 1111 1010 | [TB] _H ←Acc | 2 | 2 | - | - | 1 |

* This specification are subject to be changed without notice.

Preliminary

**** SYMBOL DESCRIPTION

| Symbol | Description | Symbol | Description |
|--|--|--|--|
| HR | H register | LR | L register |
| PC | Program counter | DP | Data pointer |
| SP | Stack pointer | STACK[SP] | Stack specified by SP |
| A _{CC} | Accumulator | FLAG | All flags |
| CF | Carry flag | ZF | Zero flag |
| SF | Status flag | EI | Enable interrupt register |
| IL | Interrupt latch | MASK | Interrupt mask |
| PORT[p] | Port (address : p) | TA | Timer/counter A |
| TB | Timer/counter B | RAM[HL] | Data memory (address : HL) |
| RAM[x] | Data memory (address : x) | ROM[DP] _L | Low 4-bit of program memory |
| ROM[DP] _H | High 4-bit of program memory | [DP] _L | Low 4-bit of data pointer register |
| [DP] _M | Middle 4-bit of data pointer register | [DP] _H | High 4-bit of data pointer register |
| [TA] _L ([TB] _L) | Low 4-bit of timer/counter A (timer/counter B) register | [TA] _M ([TB] _M) | Middle 4-bit of timer/counter A (timer/counter B) register |
| [TA] _H ([TB] _H) | High 4-bit of timer/counter A (timer/counter B) register | LR ₁₋₀ | Contents of bit assigned by bit 1 to 0 of LR |
| LR ₃₋₂ | Bit 3 to 2 of LR | a ₅₋₀ | Bit 5 to 0 of destination address for branch instruction |
| PC ₁₂₋₆ | Bit 12 to 6 of program counter | ← | Transfer |
| ↔ | Exchange | + | Addition |
| - | Substraction | & | Logic AND |
| | Logic OR | ^ | Logic XOR |
| ' | Inverse operation | . | Concatenation |
| #k | 4-bit immediate data | x | 8-bit RAM address |
| y | 4-bit zero-page address | p | 4-bit or 5-bit port address |
| b | Bit address | r | 6-bit interrupt latch |