

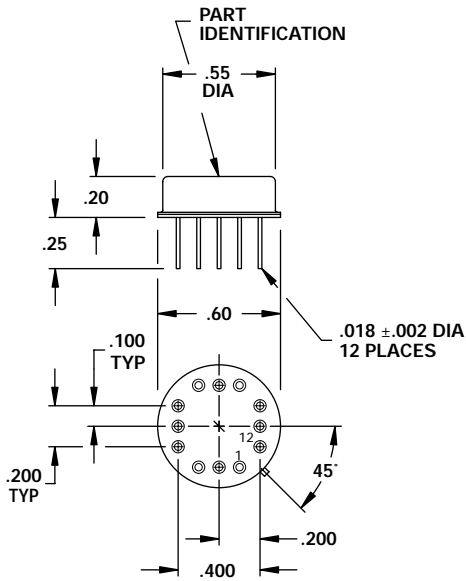
FEATURES

- High Isolation
- ± 0.2 dB Flatness
- TO-8 Package
- 10, 15, 20 dB Coupling Available



MODEL NO.
DDC01920

Coupler



.xx = .02
.xxx = .010

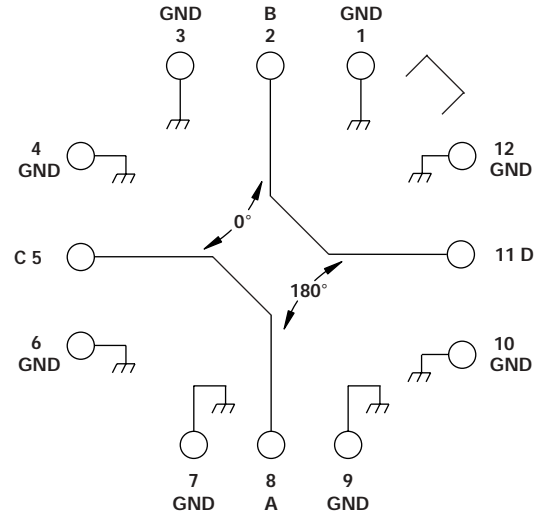
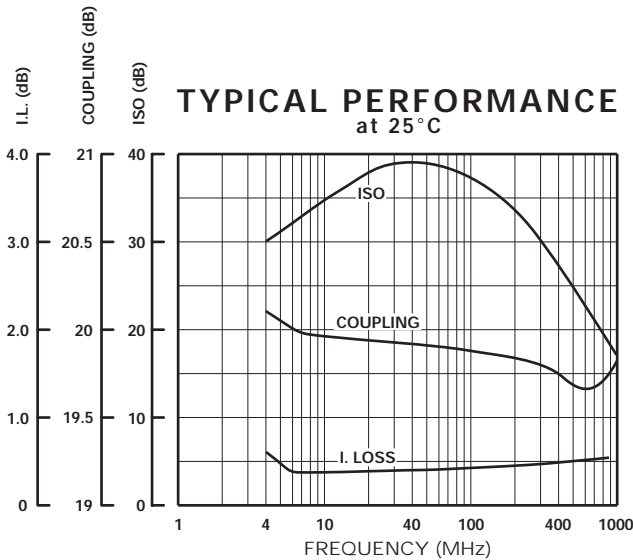


TABLE	
dB	Part Number
10	DDC01910
15	DDC01915
20	DDC01920



GUARANTEED PERFORMANCE

Parameter	Min	Typ	Max	Units	Conditions
Operating Frequency	10		500	MHz	
Insertion Loss		0.5	0.7	dB	Thru
Coupling	19.7	20.2	20.7	dB	
Flatness		± 0.2	± 0.5	dB	
Isolation	30	35		dB	10 - 100 MHz
	20	25		dB	100 - 500 MHz
VSWR		1.1/1	1.3/1		
Impedance		50		OHMS	
RF Power	Operate No Damage		+30	dBm	0.1 dB Compression
			+36	dBm	
Operating Temperature	-55	+25	+125	°C	TA