

# HIGH FREQUENCY MAGNETICS

## T1/CEPT Dual Line Interface Transformers

TM9908

- Minimum interwinding breakdown voltage of 1500 Vrms

### ELECTRICAL SPECIFICATIONS at 25° C

Part Number	Turns Ratio ±5%		Primary Inductance mH min		Leakage Inductance μH max		Interwinding Capacitance pF max		DCR Ω max			
	Coil A	Coil B	Coil A	Coil B	Coil A	Coil B	Coil A	Coil B	Pri		Sec	
									Coil A	Coil B	Coil A	Coil B
0553-0013-1J	1 : 2 CT	1 : 2 CT	1.2	1.2	0.80	0.80	35	35	0.8	1.8	0.8	1.8
0553-0013-2J	1 : 2 CT	1 : 1.36	1.2	1.2	0.80	0.80	35	35	0.8	1.8	0.8	0.8
0553-0013-4J	1CT : 2 CT	1 : 1	1.2	1.2	0.80	0.50	35	35	0.8	1.8	0.8	0.8
0553-1167-00	1 : 1 / 1 : 1.26	1 : 2 CT	1.2	1.2	0.50	0.60	35	40	0.8	0.8	0.8	1.8
0559-5999-04	1 : 1.15 CT	1 : 2 CT	1.2	1.5	0.50	0.60	35	40	0.7	1.1	0.8	1.8
0559-5999-05	1 : 1 / 1 : 1.26	1 : 2 CT	1.2	1.5	0.40	0.50	35	40	0.7	1.1	0.8	1.8

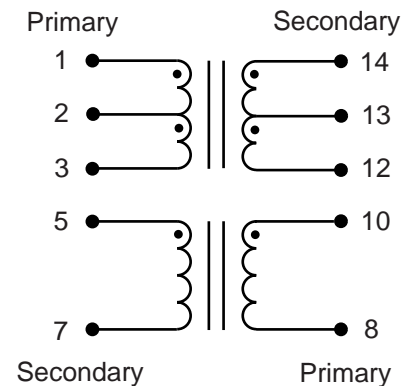
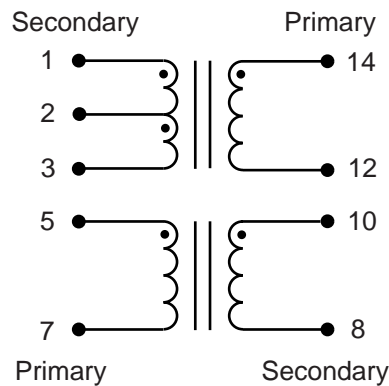
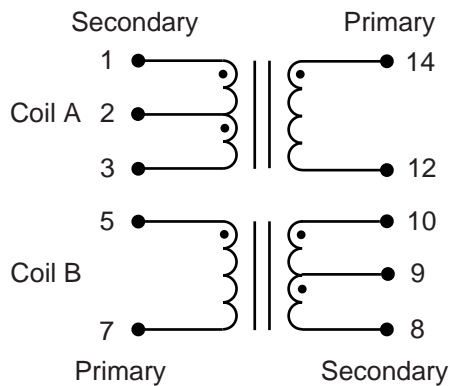
### SCHEMATICS

0553-0013-1J  
0559-5999-04

0553-1167-00\*  
0559-5999-05\*

0553-0013-2J

0553-0013-4J



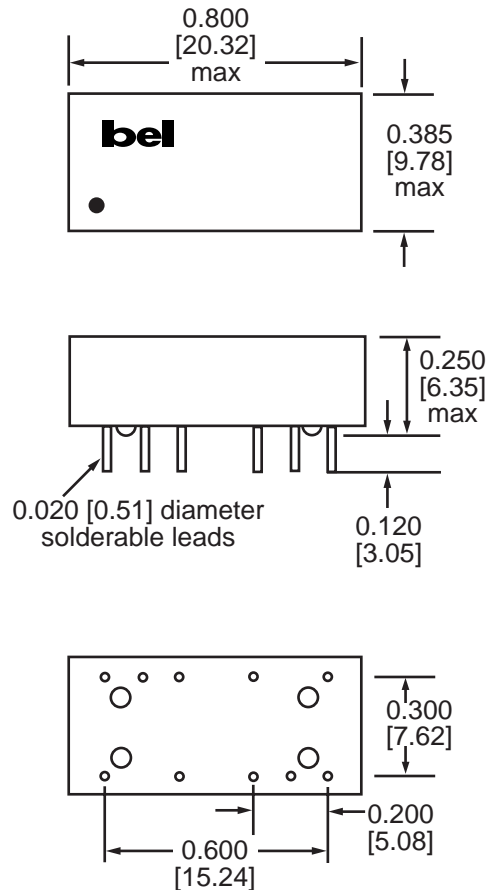
\* (-00 & -05) 1 : 1 (12 - 14) : (2 - 3)  
1 : 1.26 (12 - 14) : (1 - 3)

## HIGH FREQUENCY MAGNETICS

### T1/CEPT Dual Line Interface Transformers

#### MECHANICAL

0553-0013-1J  
0553-0013-2J  
0553-0013-4J  
0553-1167-00\*  
0559-5999-04  
0559-5999-05



Dimensions are in inches [millimeters].  
Standard dimension tolerance is  $\pm 0.020$  [0.51] unless otherwise noted.

©1999 Bel Fuse Inc. Specifications subject to change without notice. 06.99

#### CORPORATE

**Bel Fuse Inc.**  
198 Van Vorst Street  
Jersey City, NJ 07302  
Tel 201-432-0463  
Fax 201-432-9542  
www.belfuse.com

T115

#### FAR EAST

**Bel Fuse Ltd.**  
8F / 8 Luk Hop Street  
San Po Kong  
Kowloon, Hong Kong  
Tel 852-2328-5515  
Fax 852-2352-3706  
www.belfuse.com

#### EUROPE

**Bel Fuse Europe Ltd.**  
Preston Technology Management Centre  
Marsh Lane, Suite F23, Preston  
Lancashire, PR1 8UD, U.K.  
Tel 44-1772-556601  
Fax 44-1772-888366  
www.belfuse.com