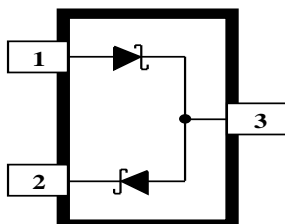


## DUAL SCHOTTKY DIODE



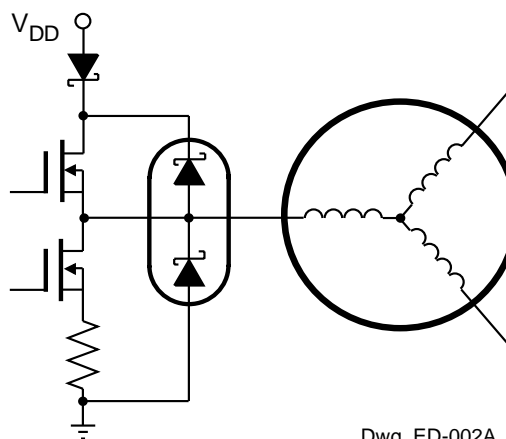
Dwg. PD-002

Schottky barrier diodes combine high rectification efficiency with high switching speeds and low series resistance. The A8920SLR dual-diode is designed specifically for hard-disk drive applications requiring low voltage drop rectification of the spindle motor back-EMF during power-down head retraction. It is supplied in a 3-lead small-outline transistor package (SOT-23/TO-236AB) for surface-mounting for use over the operating temperature range of  $-20^{\circ}\text{C}$  to  $+85^{\circ}\text{C}$ .

### FEATURES

- Low Forward Voltage Drop 440 mV Typical at 150 mA
- 500 mA Forward Current
- 20 V Reverse Voltage

### TYPICAL APPLICATION



Dwg. ED-002A

### ABSOLUTE MAXIMUM RATINGS at $T_A = +25^{\circ}\text{C}$

Forward Current, $I_F$ .....	500 mA
Reverse Voltage, $V_R$ .....	20 V
Operating Temperature Range, $T_A$ .....	$-20^{\circ}\text{C}$ to $+85^{\circ}\text{C}$
Storage Temperature Range, $T_S$ .....	$-65^{\circ}\text{C}$ to $+150^{\circ}\text{C}$

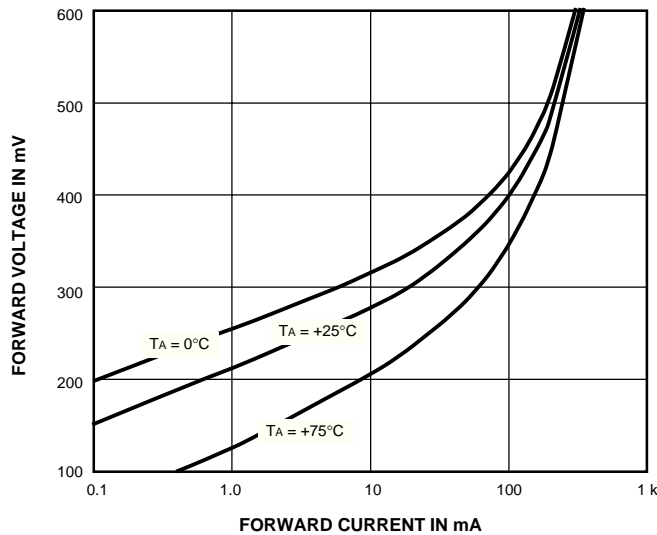
Always order by complete part number: **A8920SLR**.

# 8920 DUAL SCHOTTKY DIODE

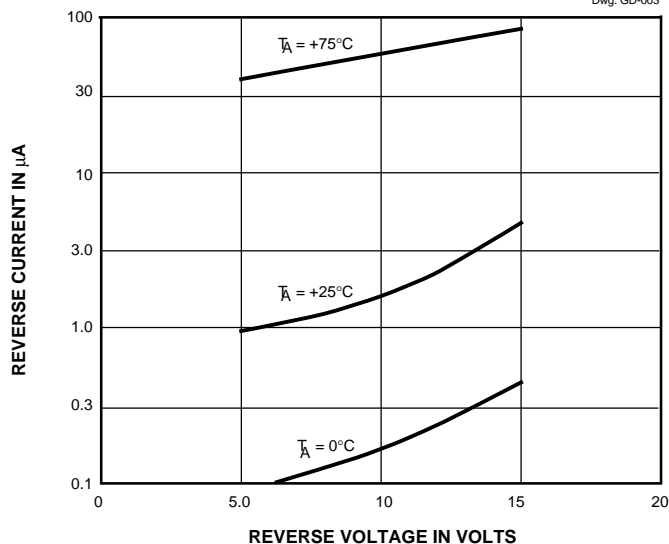
## ELECTRICAL CHARACTERISTICS at $T_A = +25^\circ\text{C}$ (unless otherwise specified).

Characteristic	Symbol	Test Conditions	Limits			
			Min.	Typ.	Max.	Units
Reverse Breakdown Voltage	$V_{(BR)}$	$I_R = 100 \mu\text{A}$	20	—	—	V
Reverse Leakage Current	$I_R$	$V_R = 10 \text{ V}$	—	1.6	20	$\mu\text{A}$
Forward Voltage	$V_F$	$I_F = 50 \text{ mA}$	—	346	400	mV
		$I_F = 150 \text{ mA}$	—	440	500	mV
Junction Capacitance	$C_T$	$V_R = 0 \text{ V}, f = 1 \text{ MHz}$	—	370	—	pF
Reverse Recovery Time	$t_{rr}$	$I_F = I_R = 100 \text{ mA}$	—	32	—	ns

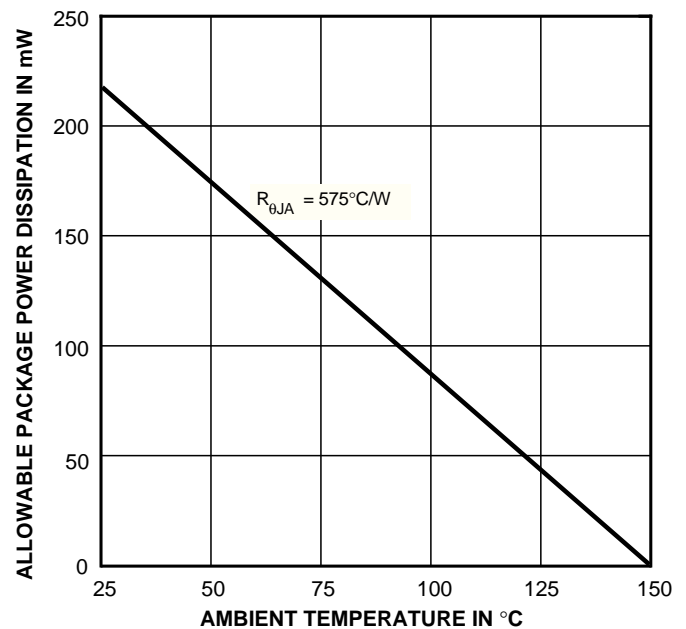
### TYPICAL CHARACTERISTICS



Dwg. GD-003



Dwg. GD-004



Dwg. GD-002

Allegro MicroSystems, Inc. reserves the right to make, from time to time, such departures from the detail specifications as may be required to permit improvements in the design of its products.

The information included herein is believed to be accurate and reliable. However, Allegro MicroSystems, Inc. assumes no responsibility for its use; nor for any infringements of patents or other rights of third parties which may result from its use.

